



US00D525942S

(12) **United States Design Patent**
Cheng et al.

(10) **Patent No.:** **US D525,942 S**

(45) **Date of Patent:** **** Aug. 1, 2006**

(54) **CABLE CONNECTOR**

(75) Inventors: **Jie Cheng**, Kunsan (CN); **Jian-Tao Lin**, Kunsan (CN); **Wei-Ya Cheng**, Kunsan (CN); **Fu-Feng Liu**, Kunsan (CN)

(73) Assignee: **Hon Hai Precision Ind. Co., Ltd.**, Taipei Hsien (TW)

(**) Term: **14 Years**

(21) Appl. No.: **29/232,418**

(22) Filed: **Jun. 17, 2005**

(30) **Foreign Application Priority Data**

Dec. 18, 2004 (CN) 200430055128

(51) **LOC (8) Cl.** **13-03**

(52) **U.S. Cl.** **D13/147**

(58) **Field of Classification Search** D13/133,
D13/146-147, 154, 199; 439/582, 680, 694,
439/844, 855, 902

See application file for complete search history.

(56) **References Cited**

U.S. PATENT DOCUMENTS

D449,820 S * 10/2001 Lee D13/147
6,402,552 B1 * 6/2002 Wagner 439/606
D481,683 S * 11/2003 Lai D13/147
6,699,075 B1 * 3/2004 Ko 439/610
6,726,503 B1 * 4/2004 Waddell et al. 439/465

D489,333 S * 5/2004 Liu et al. D13/147
D491,147 S * 6/2004 Ji D13/147
D491,530 S * 6/2004 Yang et al. D13/147
D491,534 S * 6/2004 Ko D13/147
D491,896 S * 6/2004 Yang et al. D13/147
6,808,410 B1 * 10/2004 Lee 439/484
2004/0242032 A1 * 12/2004 Liu et al. 439/79

* cited by examiner

Primary Examiner—Stella Reid

Assistant Examiner—Daniel Bui

(74) *Attorney, Agent, or Firm*—Wei Te Chung

(57) **CLAIM**

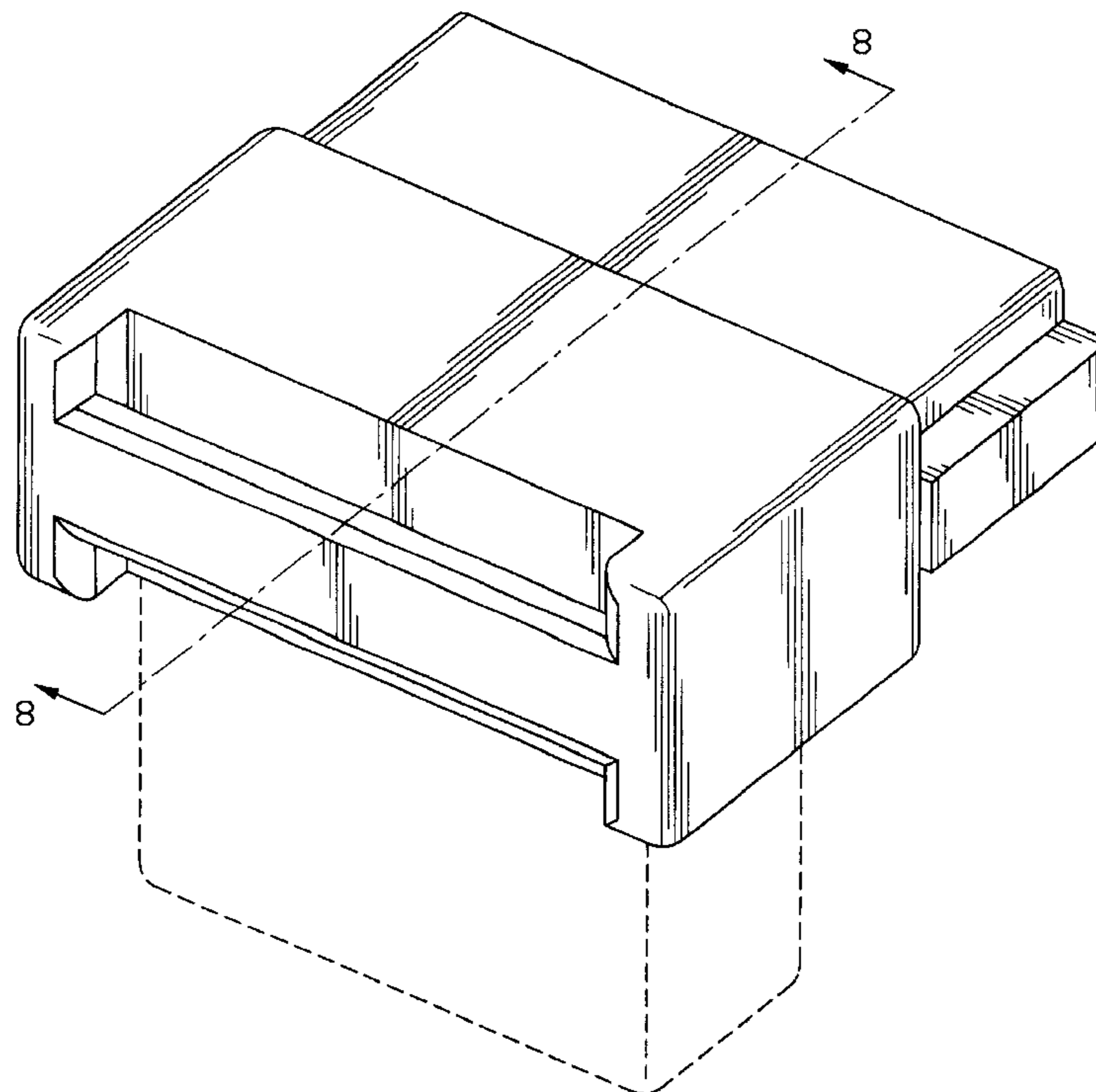
The ornamental design for a cable connector, as shown and described.

DESCRIPTION

FIG. 1 is a front, top and right side perspective view of a cable connector, showing our new design; FIG. 2 is a front elevation view thereof; FIG. 3 is a rear elevation view thereof; FIG. 4 is a left side elevation view thereof; FIG. 5 is a right side elevation view thereof; FIG. 6 is a top plan view thereof; FIG. 7 is a bottom plan view thereof; and, FIG. 8 is a partially cross sectional view thereof, taken along line 8—8 in FIG. 1.

The broken line showing of the environment is for illustrative purposes only and forms no part of the claimed design.

1 Claim, 8 Drawing Sheets



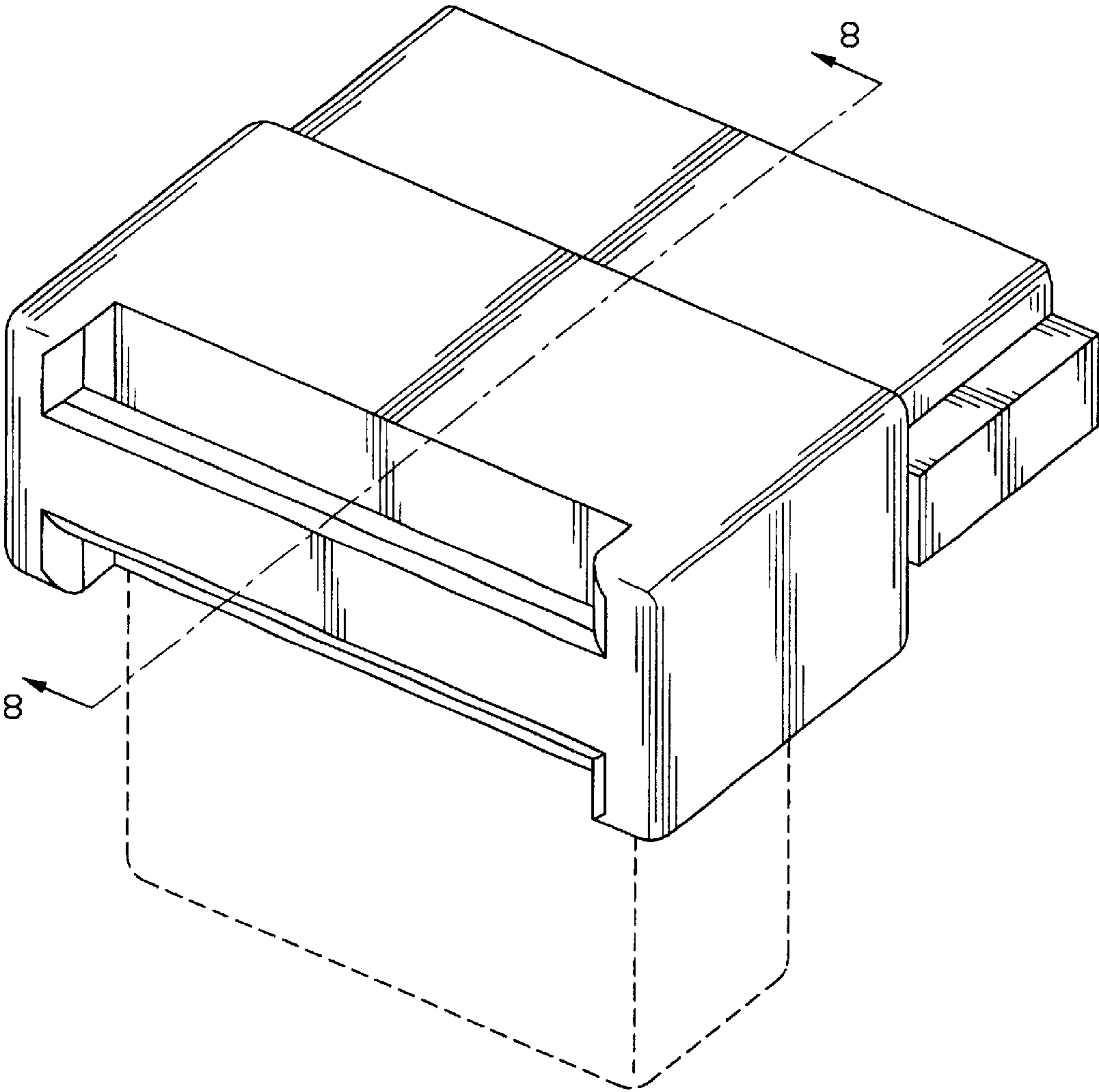


FIG. 1

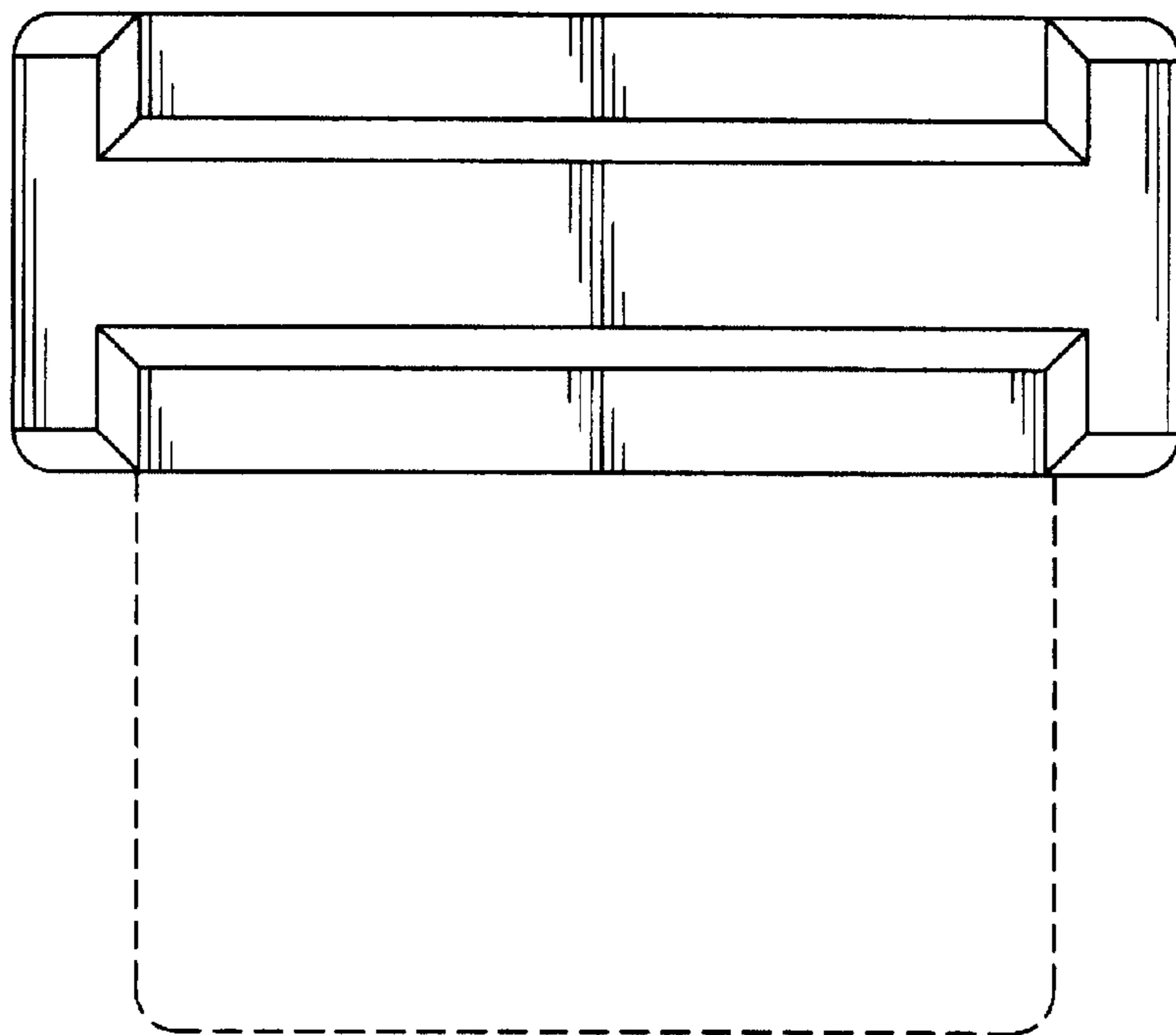


FIG. 2

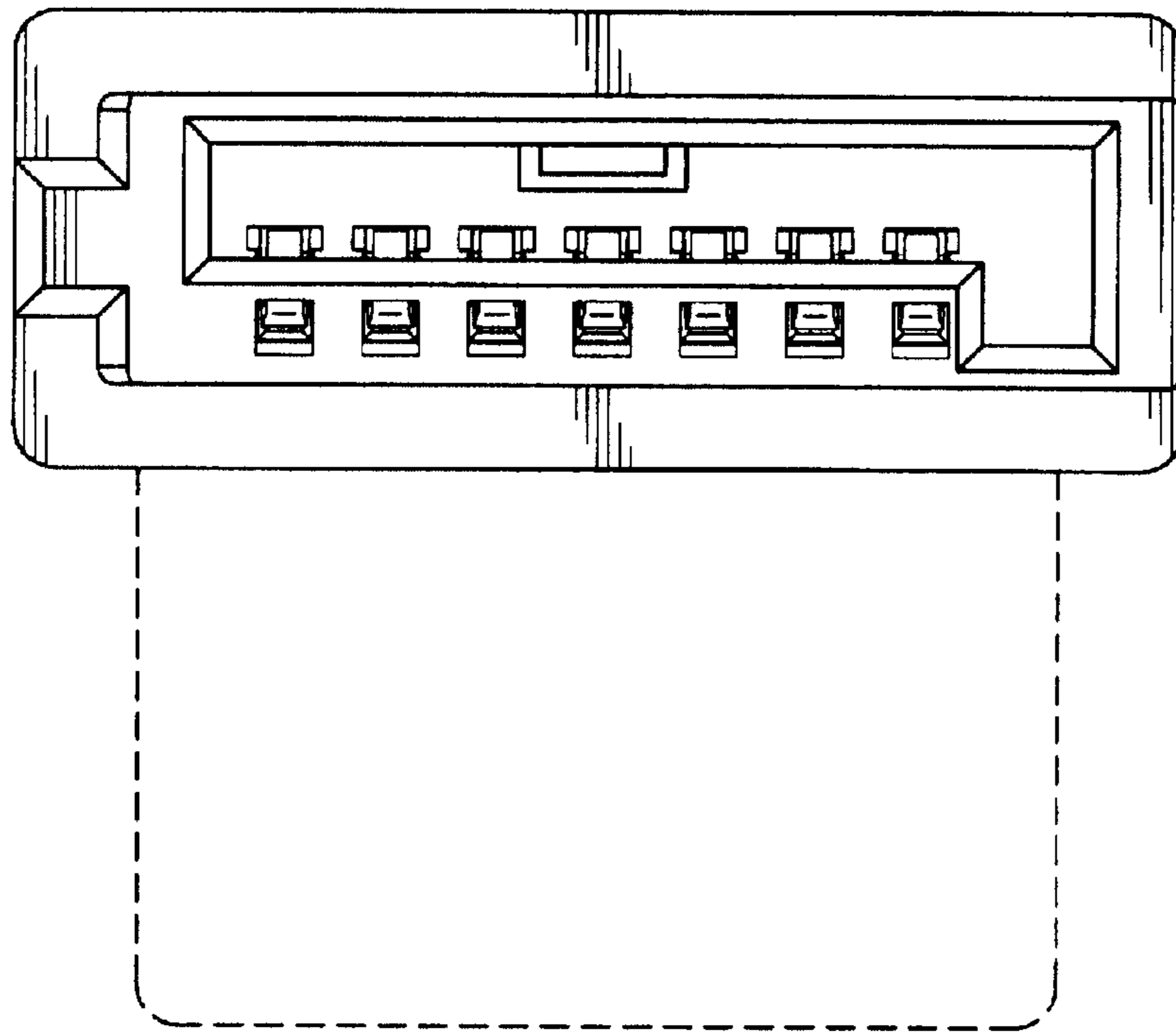


FIG. 3

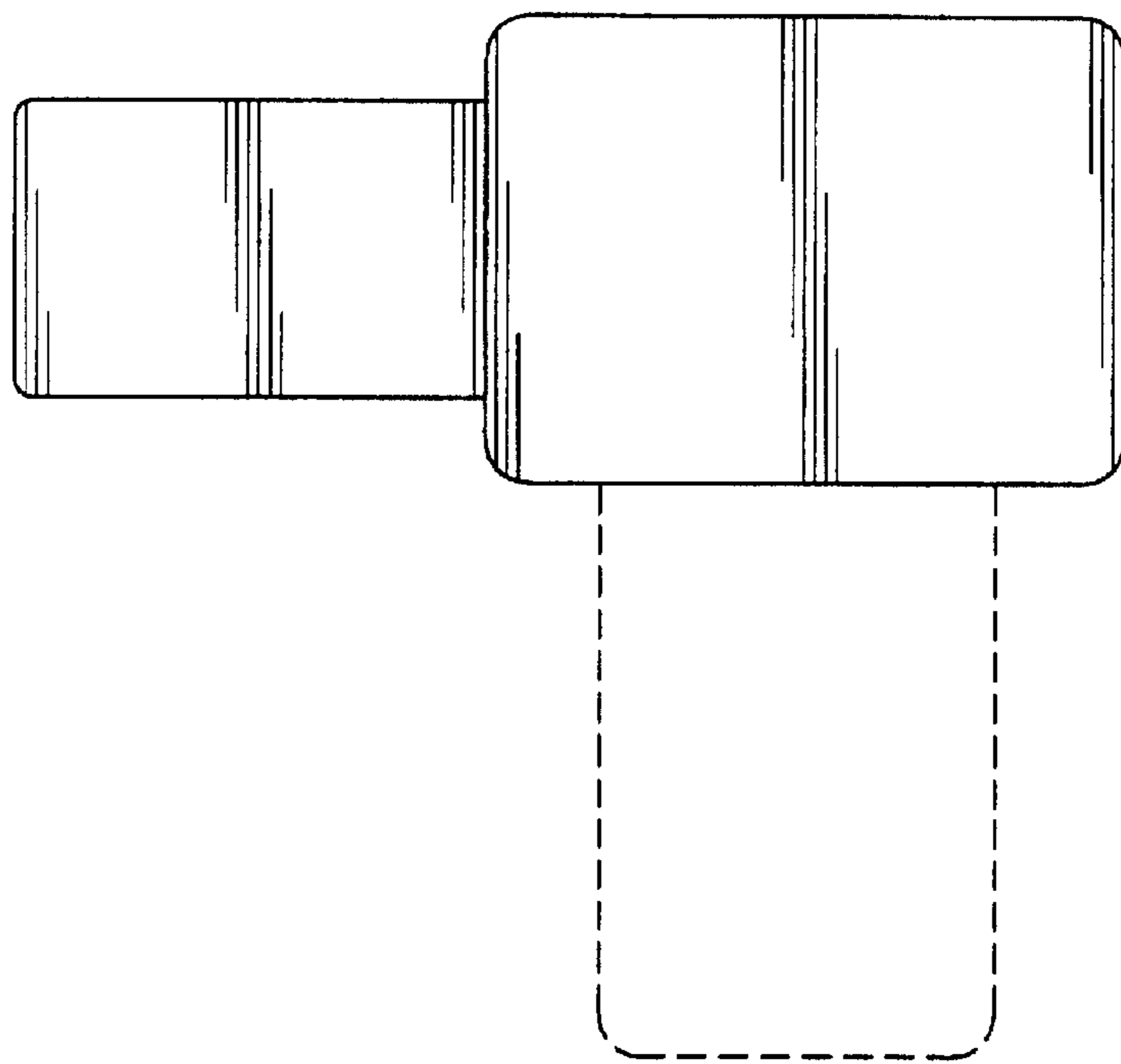


FIG. 4

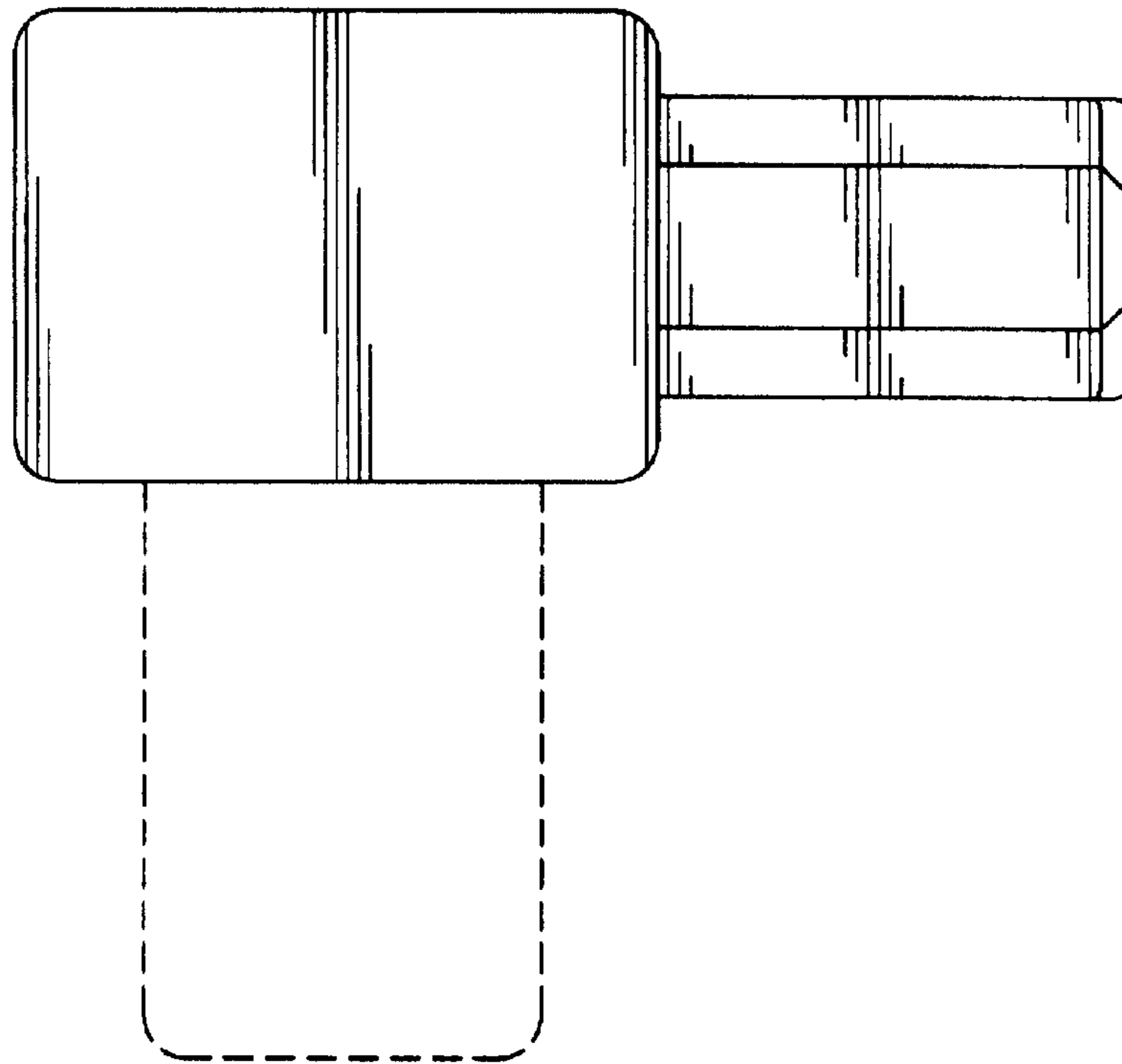


FIG. 5

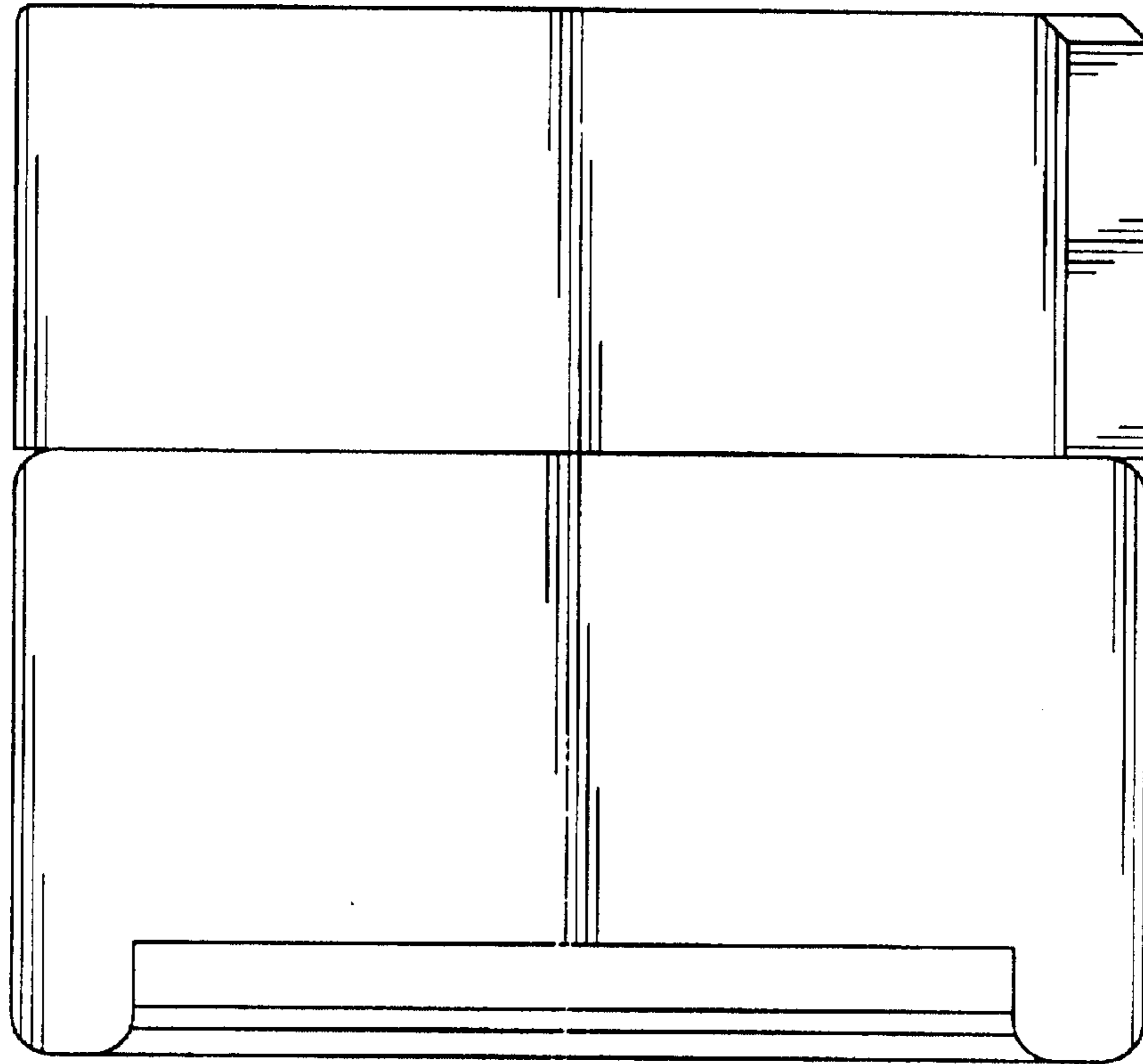


FIG. 6

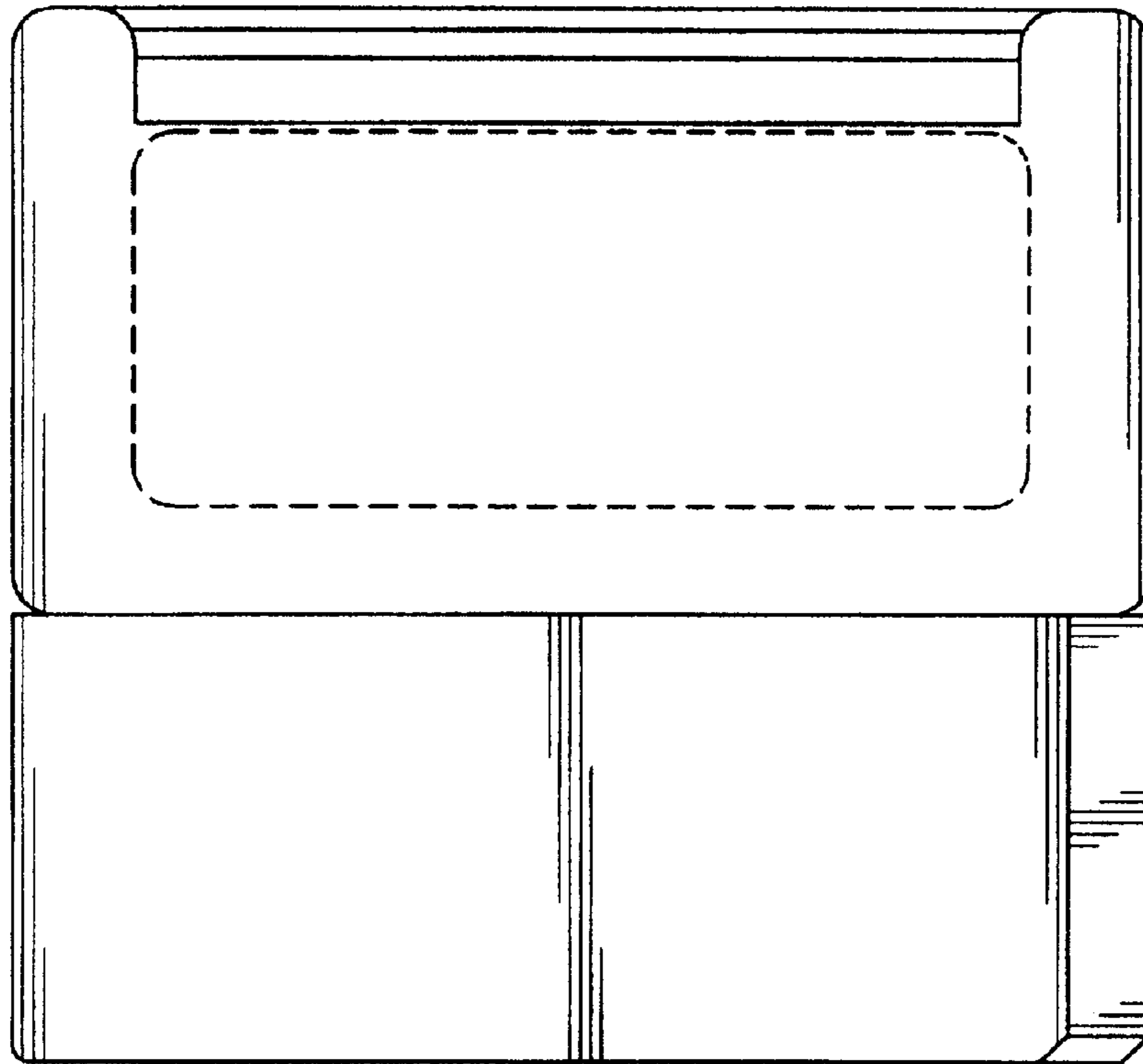


FIG. 7

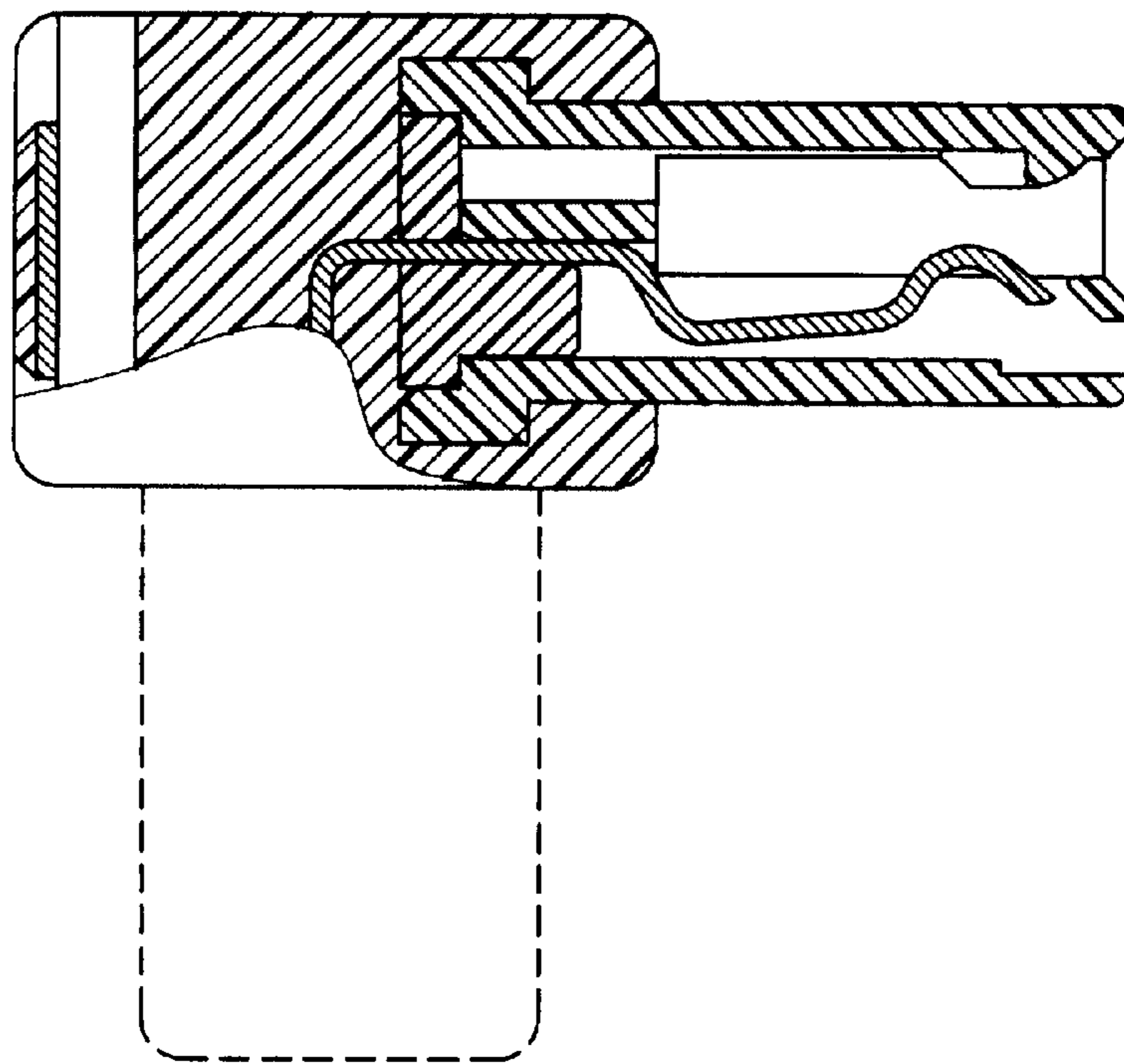


FIG. 8