



US00D525939S

(12) **United States Design Patent**
Lai

(10) **Patent No.:** **US D525,939 S**

(45) **Date of Patent:** **** Aug. 1, 2006**

(54) **PLUG CONNECTOR**

(75) Inventor: **Ming Chun Lai**, Tucheng (TW)

(73) Assignee: **Cheng Uei Precision Industry Co., Ltd.**, Taipei (TW)

(**) Term: **14 Years**

(21) Appl. No.: **29/219,488**

(22) Filed: **Dec. 20, 2004**

(51) **LOC (8) Cl.** **13-03**

(52) **U.S. Cl.** **D13/147**

(58) **Field of Classification Search** D13/133,
D13/146-147, 154, 199; 439/582, 610, 680,
439/694, 844, 855, 902

See application file for complete search history.

(56) **References Cited**

U.S. PATENT DOCUMENTS

4,941,849	A	*	7/1990	Fujiura	439/610
5,941,733	A	*	8/1999	Lai	439/610
6,146,205	A	*	11/2000	Lai	439/610
D449,820	S	*	10/2001	Lee	D13/147

D479,200	S	*	9/2003	Liu et al.	D13/147
D482,330	S	*	11/2003	Suzuki et al.	D13/147
D491,896	S	*	6/2004	Yang et al.	D13/147
D510,724	S	*	10/2005	Li et al.	D13/147
D510,725	S	*	10/2005	Lai et al.	D13/147

* cited by examiner

Primary Examiner—Stella Reid

Assistant Examiner—Daniel Bui

(74) *Attorney, Agent, or Firm*—Rosenberg, Klein & Lee

(57) **CLAIM**

The ornamental design for a plug connector, as shown and described.

DESCRIPTION

FIG. 1 is a perspective view of a plug connector showing my new design;

FIG. 2 is a front elevational view thereof;

FIG. 3 is a rear elevational view thereof;

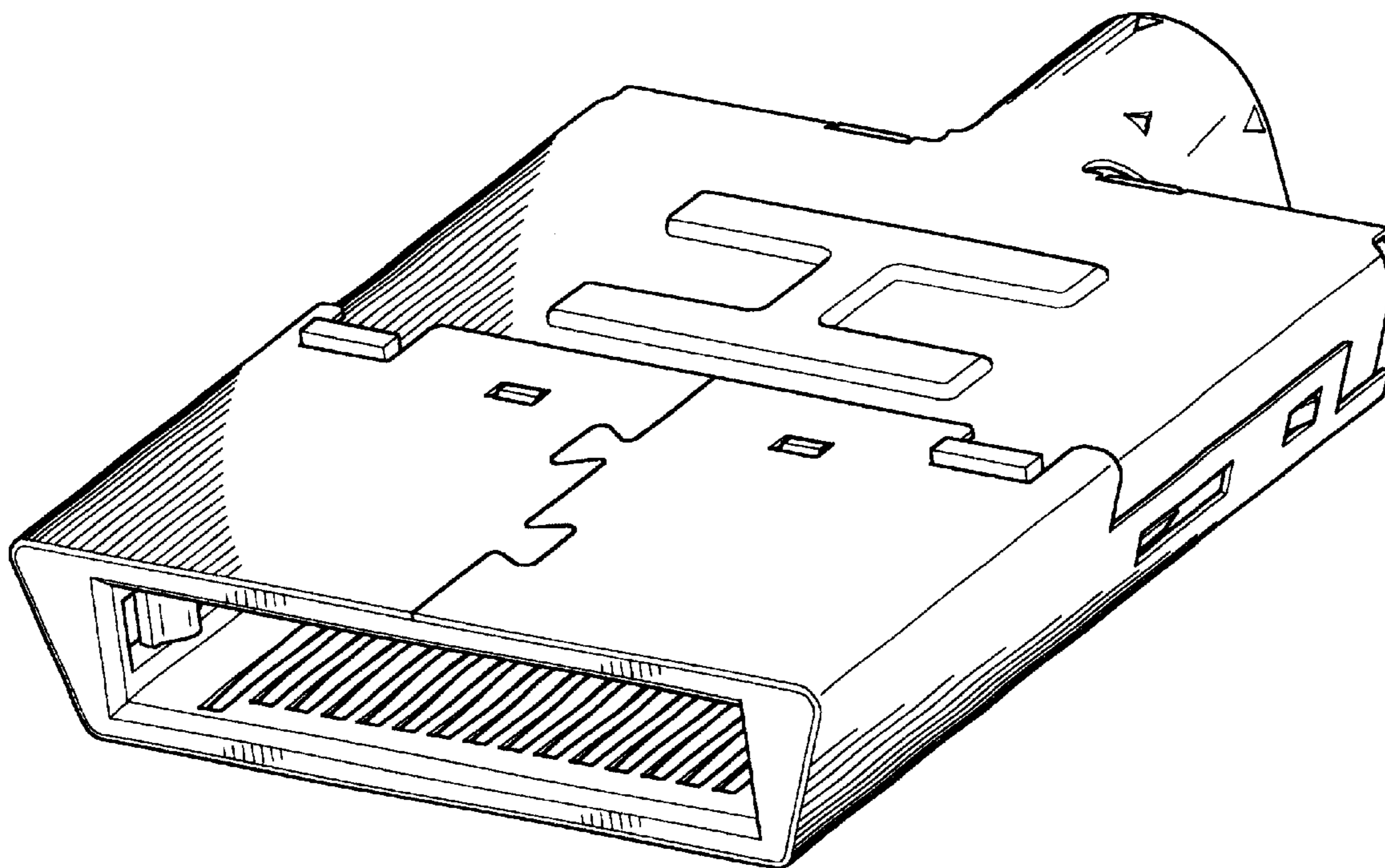
FIG. 4 is a left side elevational view thereof;

FIG. 5 is a right side elevational view thereof;

FIG. 6 is a top plan view thereof; and,

FIG. 7 is a bottom plan view thereof.

1 Claim, 5 Drawing Sheets



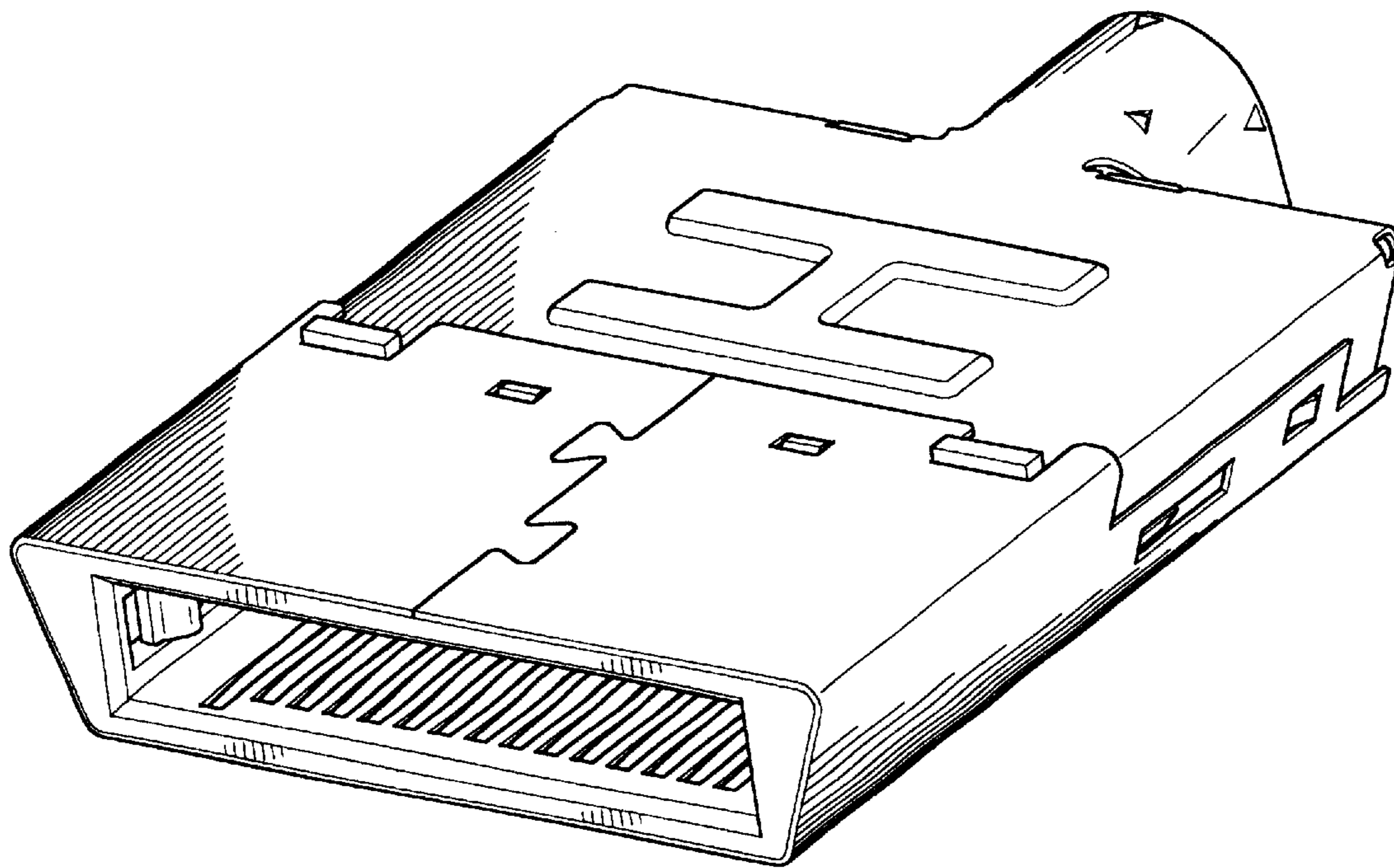


FIG. 1

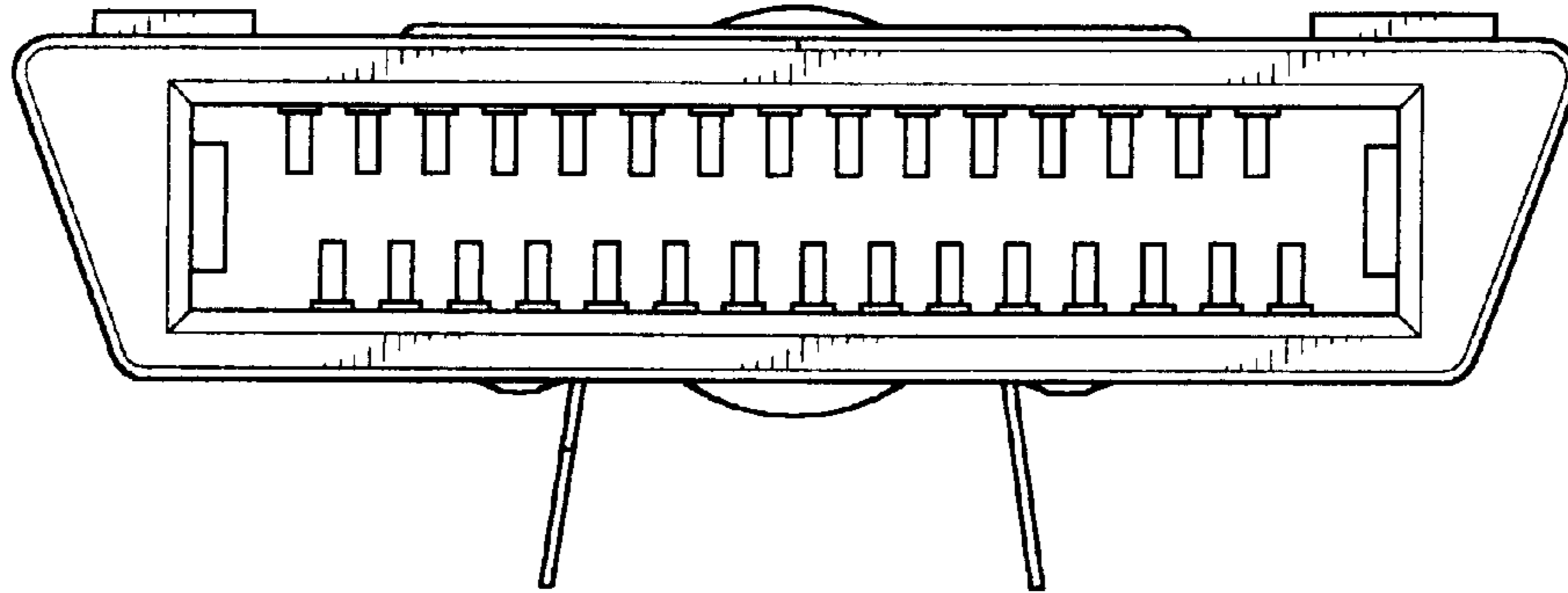


FIG. 2

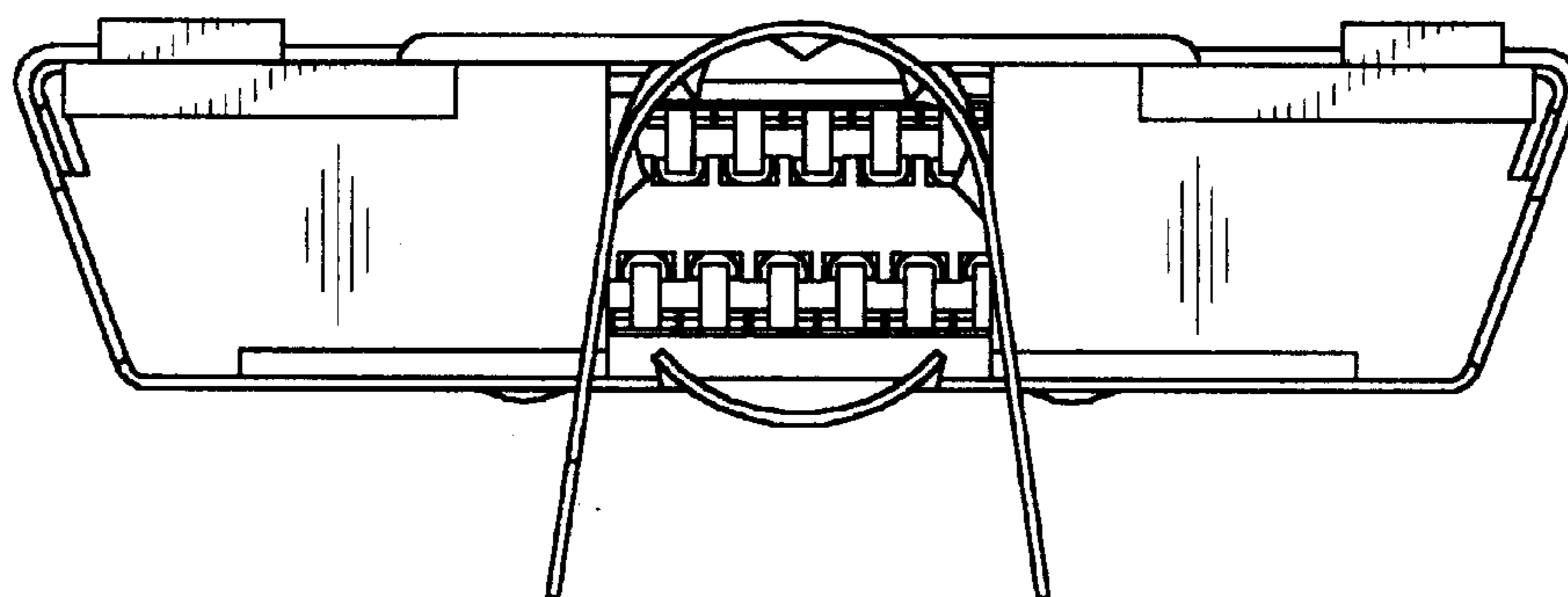


FIG. 3

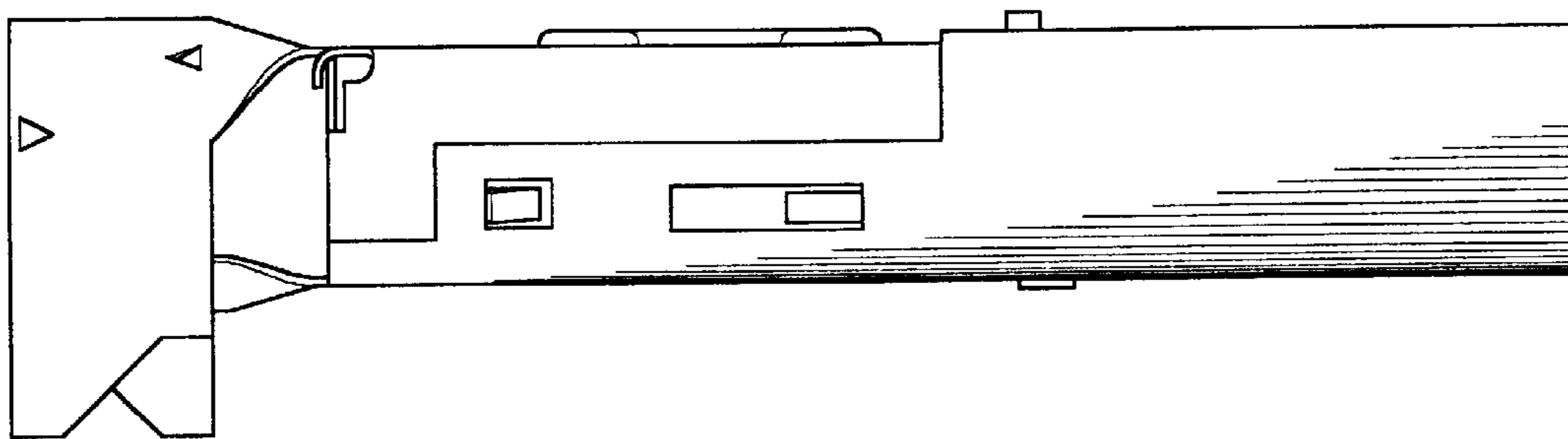


FIG. 4

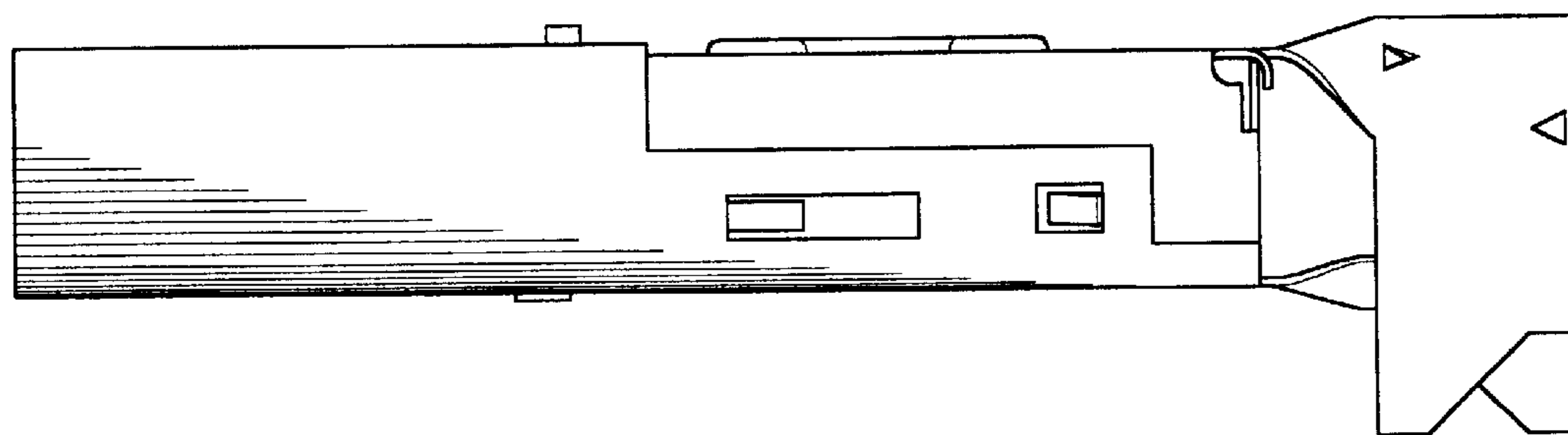


FIG. 5

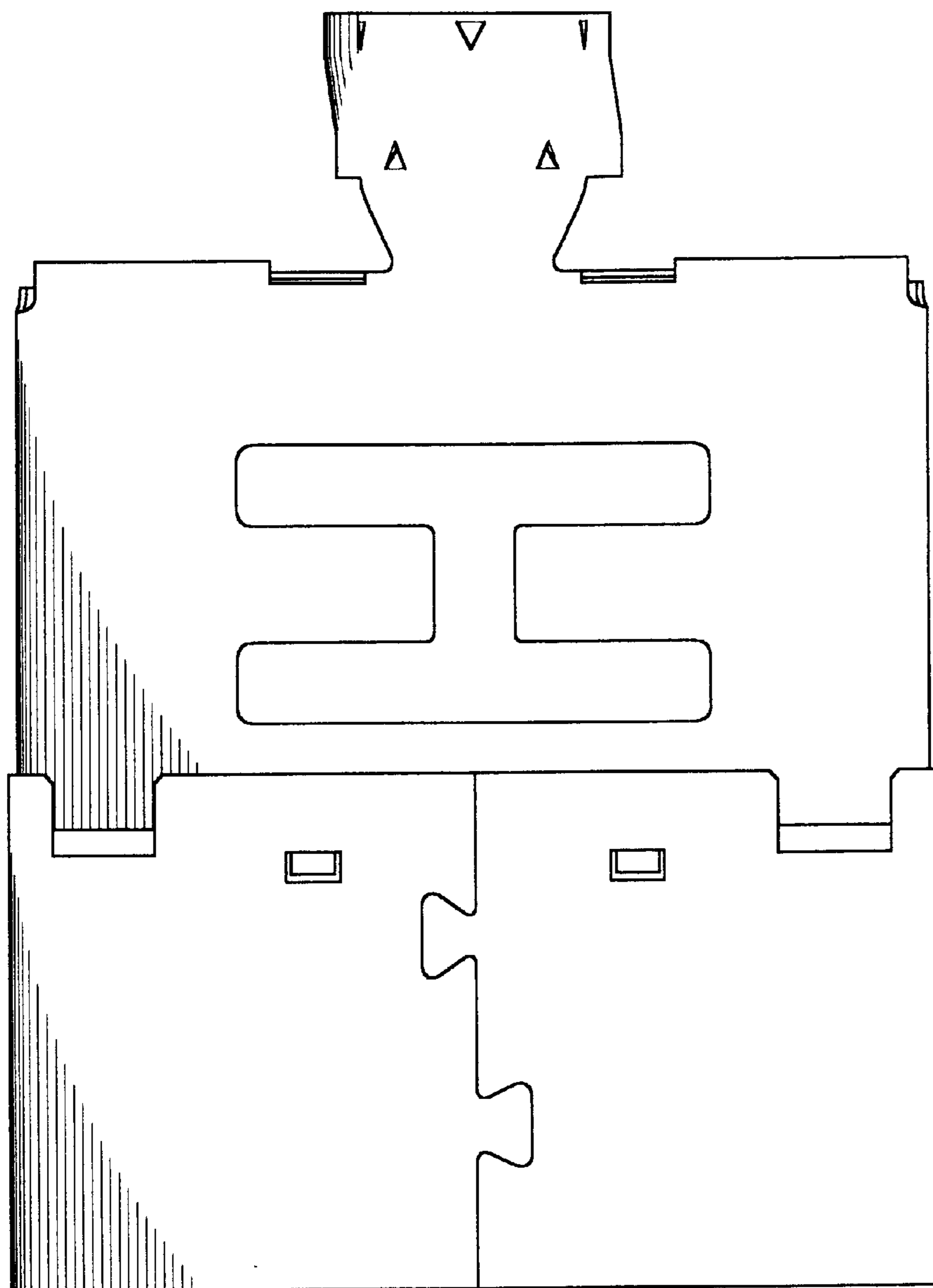


FIG. 6

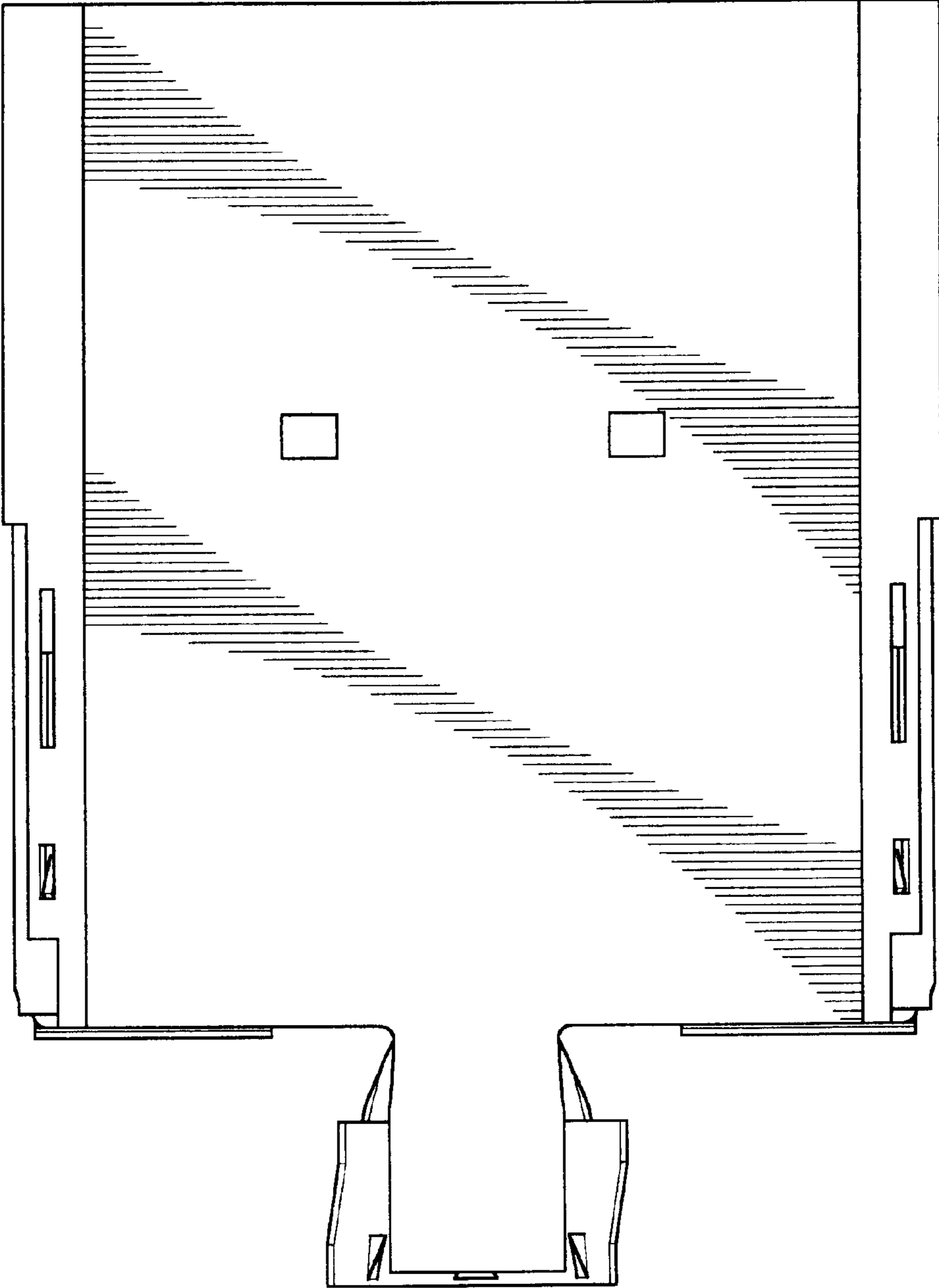


FIG. 7