



US00D525937S

(12) **United States Design Patent**  
**Seil et al.**

(10) **Patent No.:** **US D525,937 S**

(45) **Date of Patent:** **\*\* Aug. 1, 2006**

(54) **CIGARETTE LIGHTER ADAPTER HOUSING**

(75) Inventors: **Oliver Duncan Seil**, Pasadena, CA  
(US); **Barry Sween**, Santa Monica, CA  
(US); **David Kleeman**, Marina Del Rey,  
CA (US)

(73) Assignee: **Belkin Corporation**, Compton, CA  
(US)

(\*\*) Term: **14 Years**

(21) Appl. No.: **29/238,234**

(22) Filed: **Sep. 12, 2005**

(51) **LOC (8) Cl.** ..... **13-03**

(52) **U.S. Cl.** ..... **D13/144**

(58) **Field of Classification Search** ..... D13/107,  
D13/110, 144, 184; D14/155, 240; 320/110-112,  
320/114; 363/146; 439/300, 620, 638, 668-669,  
439/675, 825

See application file for complete search history.

(56) **References Cited**

**U.S. PATENT DOCUMENTS**

|             |   |         |                 |       |         |
|-------------|---|---------|-----------------|-------|---------|
| D315,543 S  | * | 3/1991  | Soren et al.    | ..... | D13/144 |
| D403,663 S  | * | 1/1999  | Jones et al.    | ..... | D13/144 |
| D406,261 S  | * | 3/1999  | Kettula et al.  | ..... | D13/144 |
| D409,568 S  | * | 5/1999  | Lindahl         | ..... | D13/144 |
| 5,964,623 A | * | 10/1999 | Maher et al.    | ..... | 439/668 |
| D436,080 S  | * | 1/2001  | Hussaini et al. | ..... | D13/144 |

|            |   |        |                    |       |         |
|------------|---|--------|--------------------|-------|---------|
| D442,543 S | * | 5/2001 | Krumenacker et al. | ....  | D13/107 |
| D455,712 S | * | 4/2002 | Hsiao              | ..... | D13/108 |
| D469,400 S | * | 1/2003 | Shor et al.        | ..... | D13/107 |
| D489,326 S | * | 5/2004 | Nazar              | ..... | D13/110 |
| D490,058 S | * | 5/2004 | Mkhitarian         | ..... | D13/144 |
| D506,455 S | * | 6/2005 | Bey et al.         | ..... | D14/155 |
| D507,527 S | * | 7/2005 | Huang              | ..... | D13/110 |

\* cited by examiner

*Primary Examiner*—Alan P. Douglas

*Assistant Examiner*—Rosemary K. Tarcza

(74) *Attorney, Agent, or Firm*—Bryan Cave LLP

(57) **CLAIM**

We claim the ornamental design for a cigarette lighter adapter housing, as shown and described.

**DESCRIPTION**

FIG. 1 is a front elevational view of the cigarette lighter adapter housing;

FIG. 2 is a rear elevational view thereof;

FIG. 3 is a top view thereof;

FIG. 4 is a bottom view thereof;

FIG. 5 is a left side elevational view thereof;

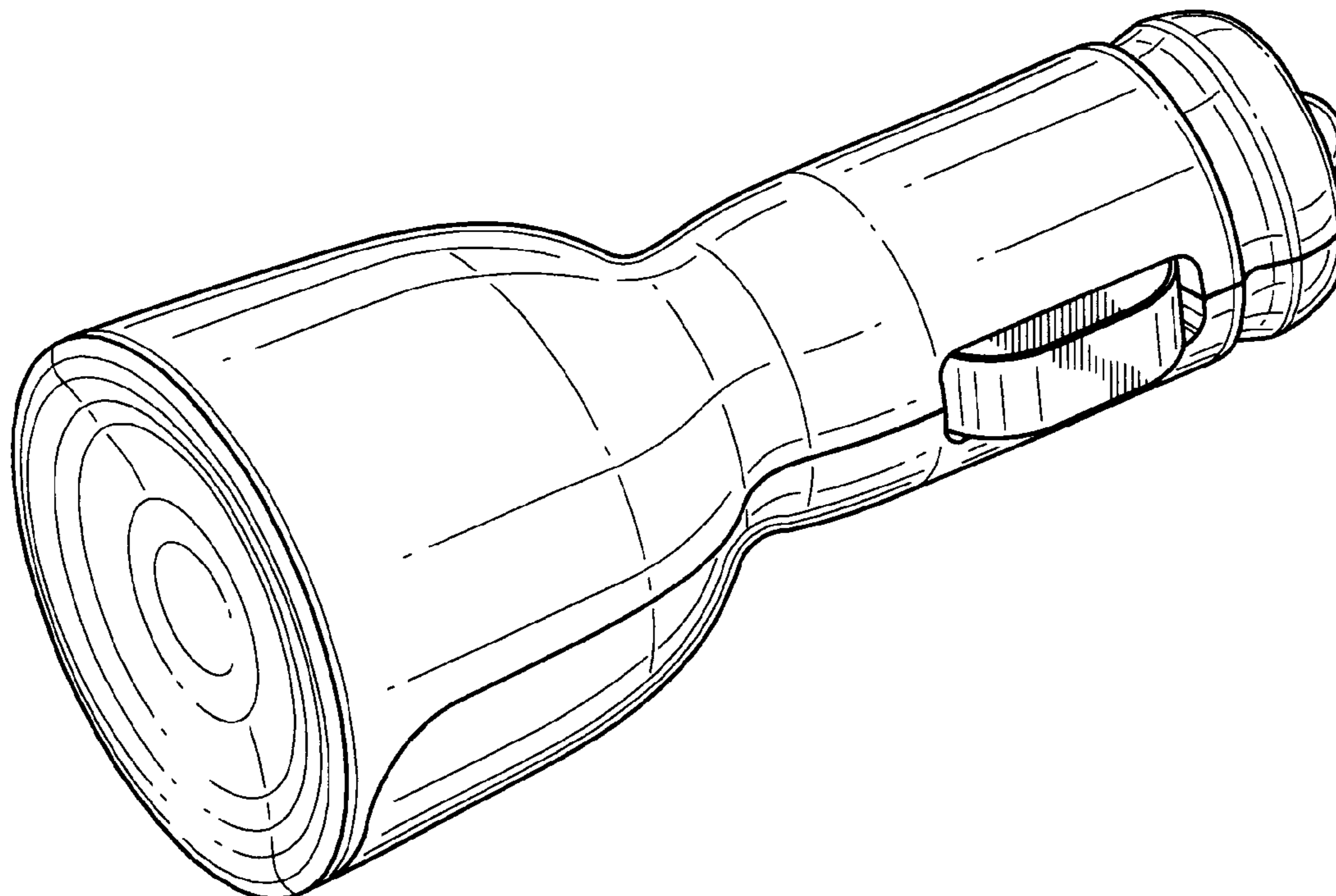
FIG. 6 is a right side elevational view thereof;

FIG. 7 is a front, right, top perspective view thereof; and,

FIG. 8 is a rear, left, bottom perspective view thereof.

The broken lines in the drawings are for illustrative purposes only and form no part of the claimed design.

**1 Claim, 2 Drawing Sheets**



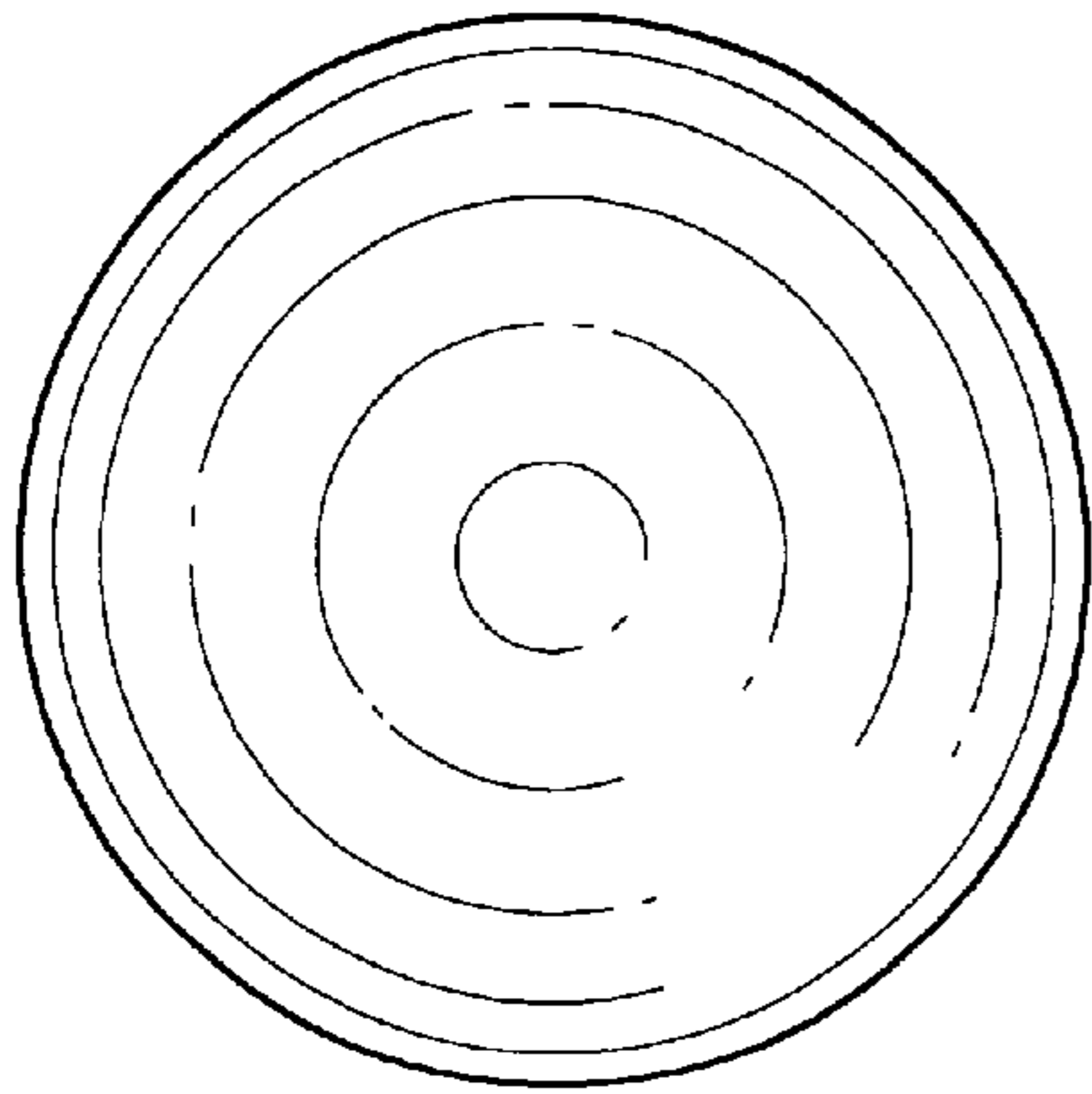


FIG. 1

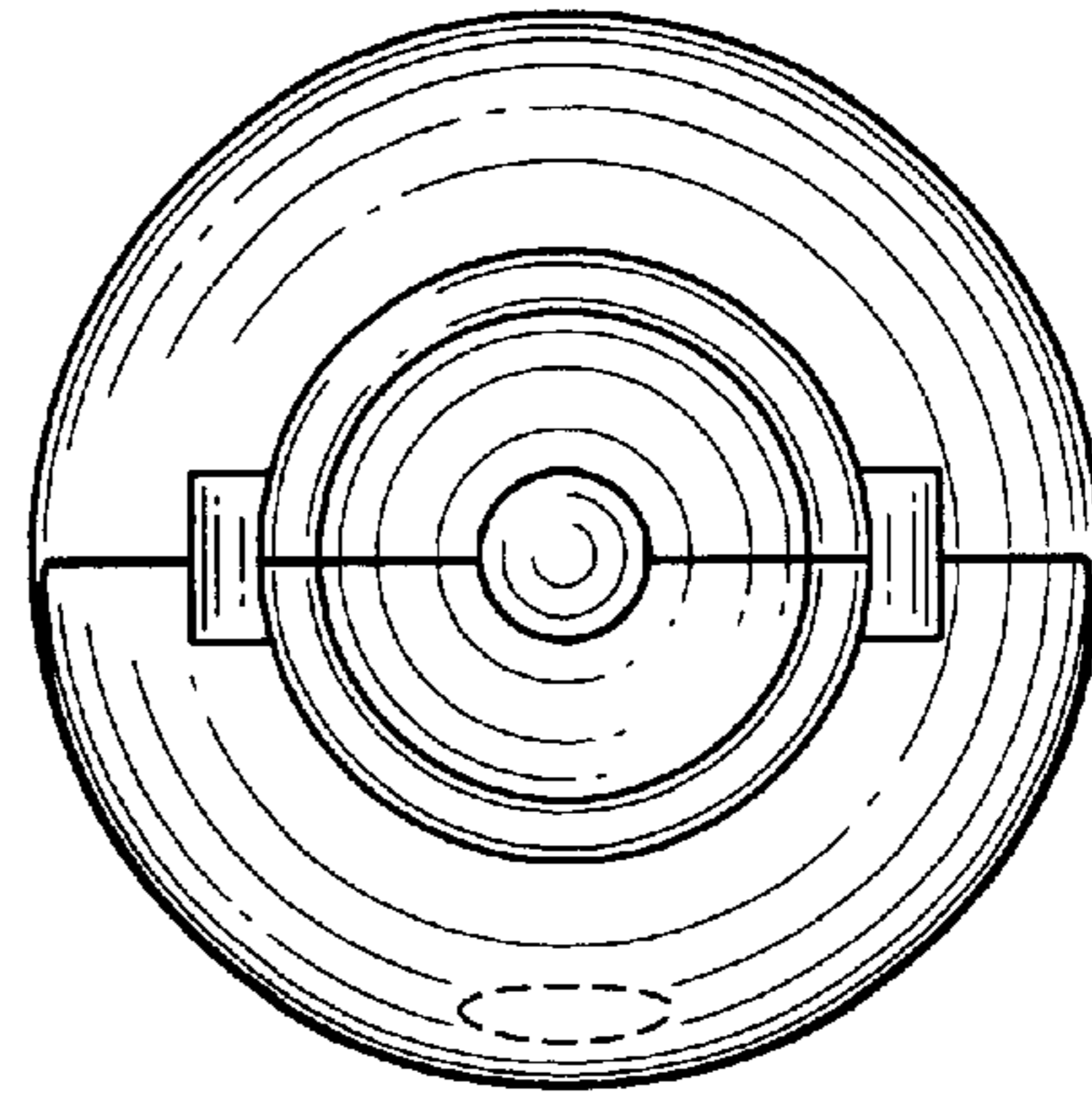


FIG. 2

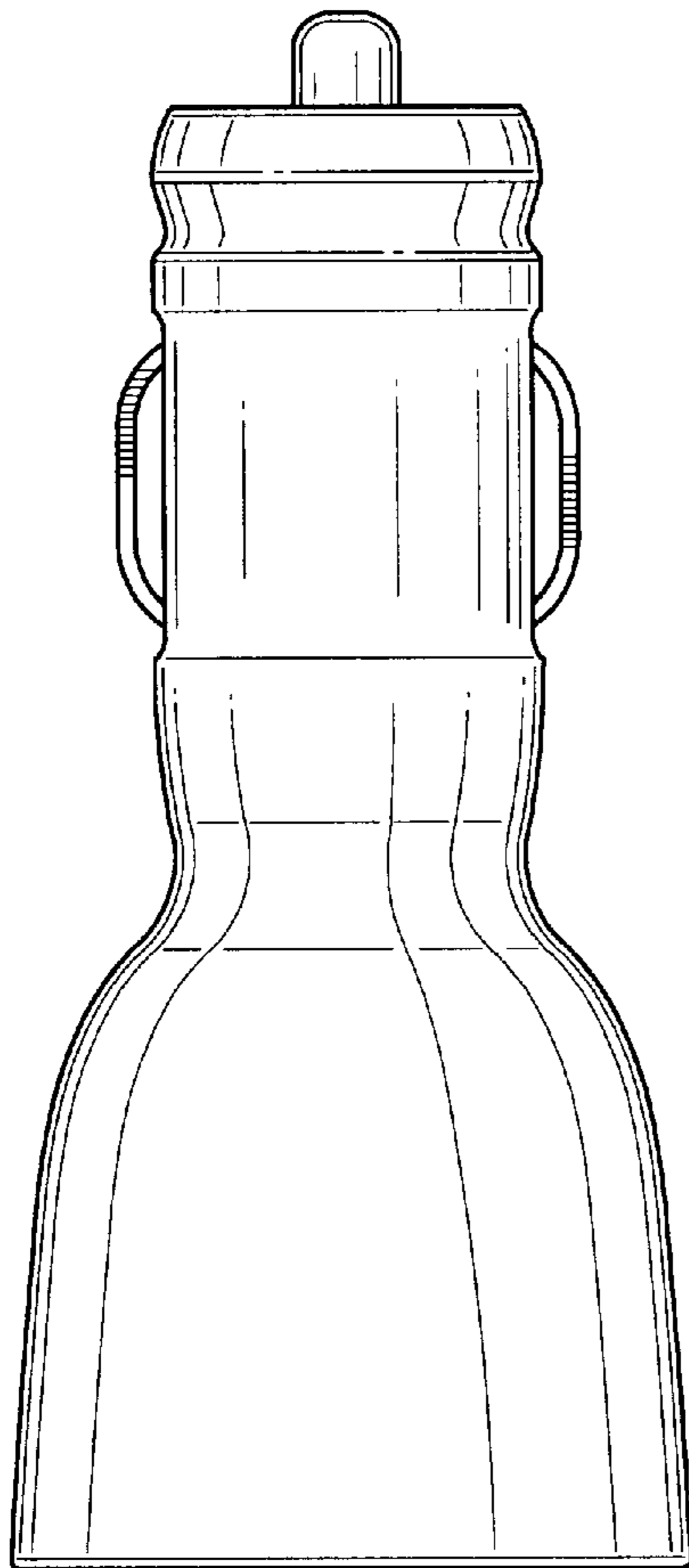


FIG. 3

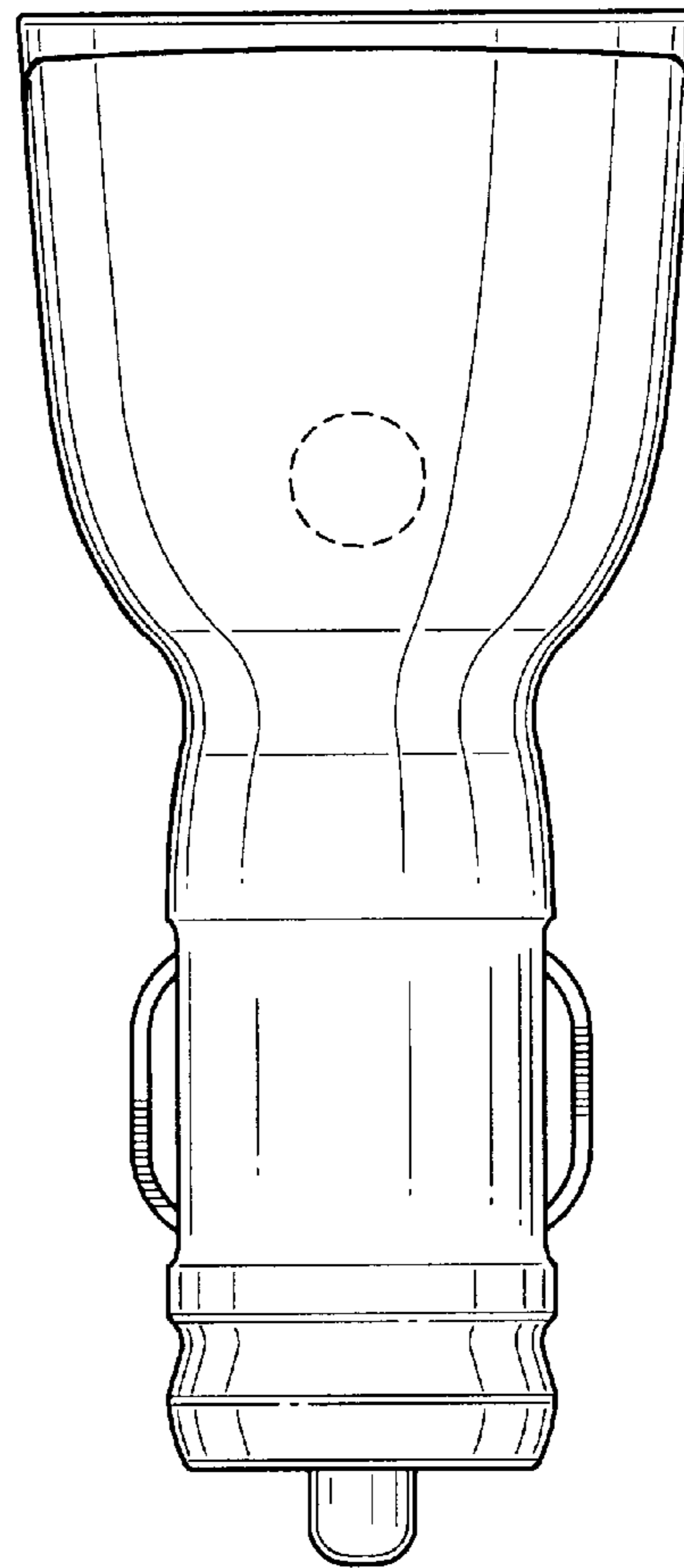


FIG. 4

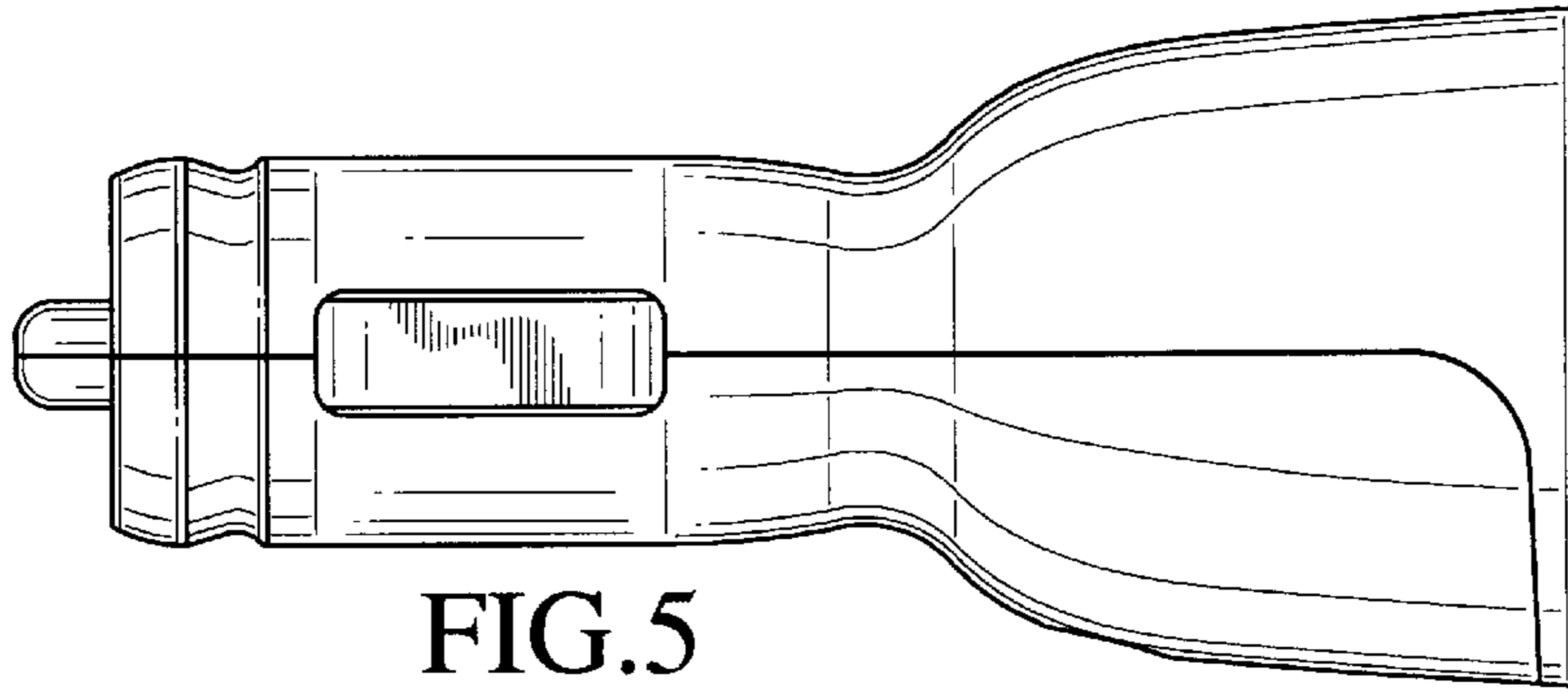


FIG. 5

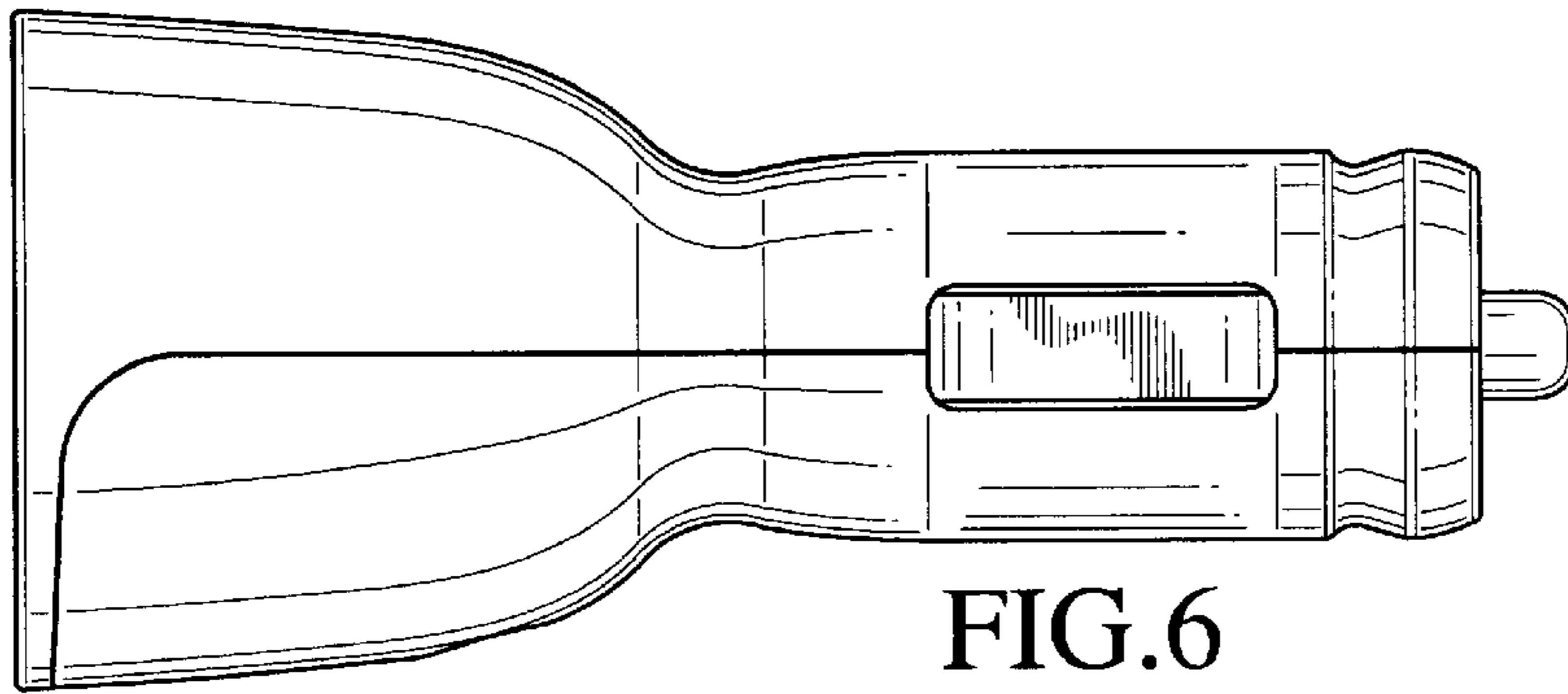


FIG. 6

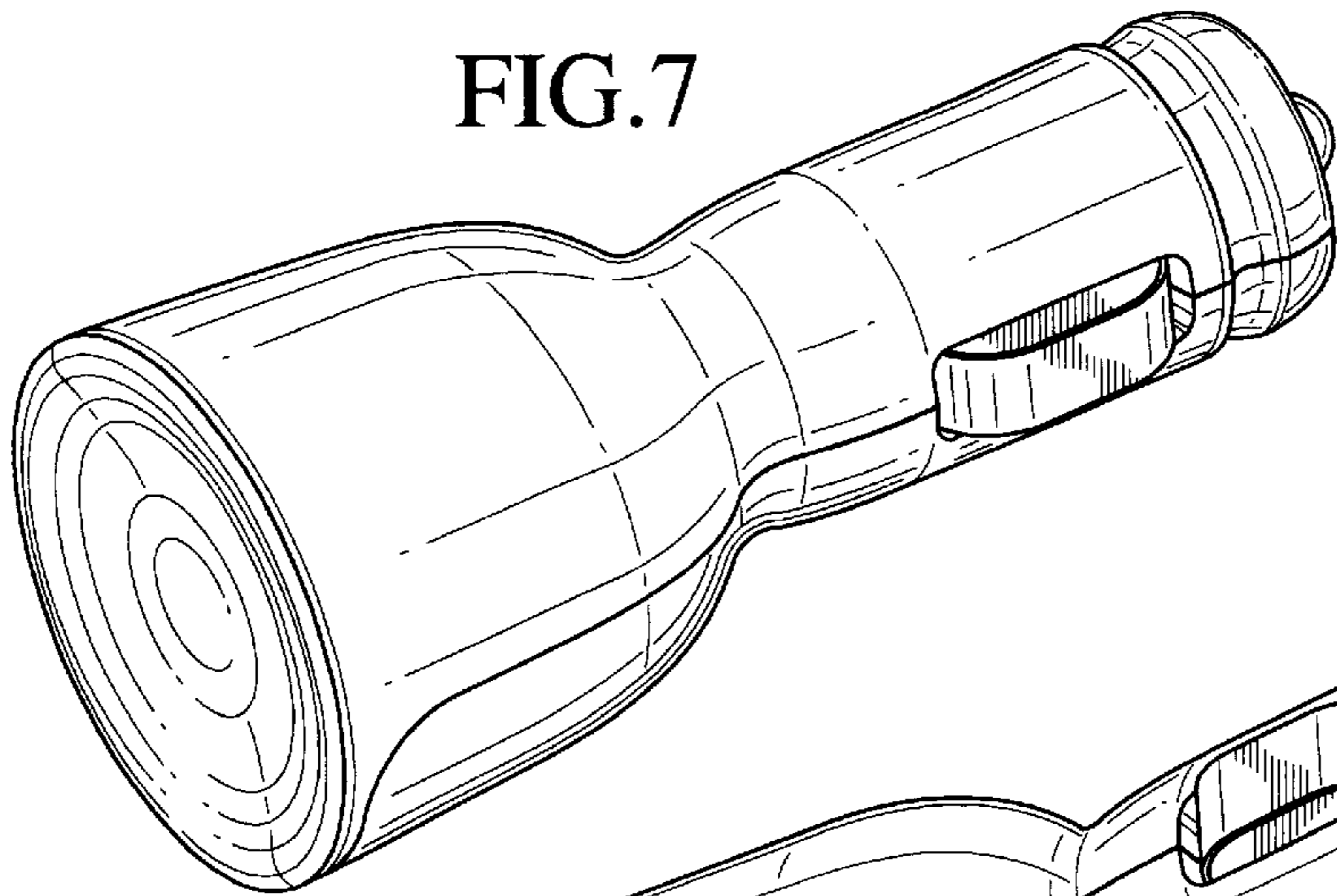


FIG. 7

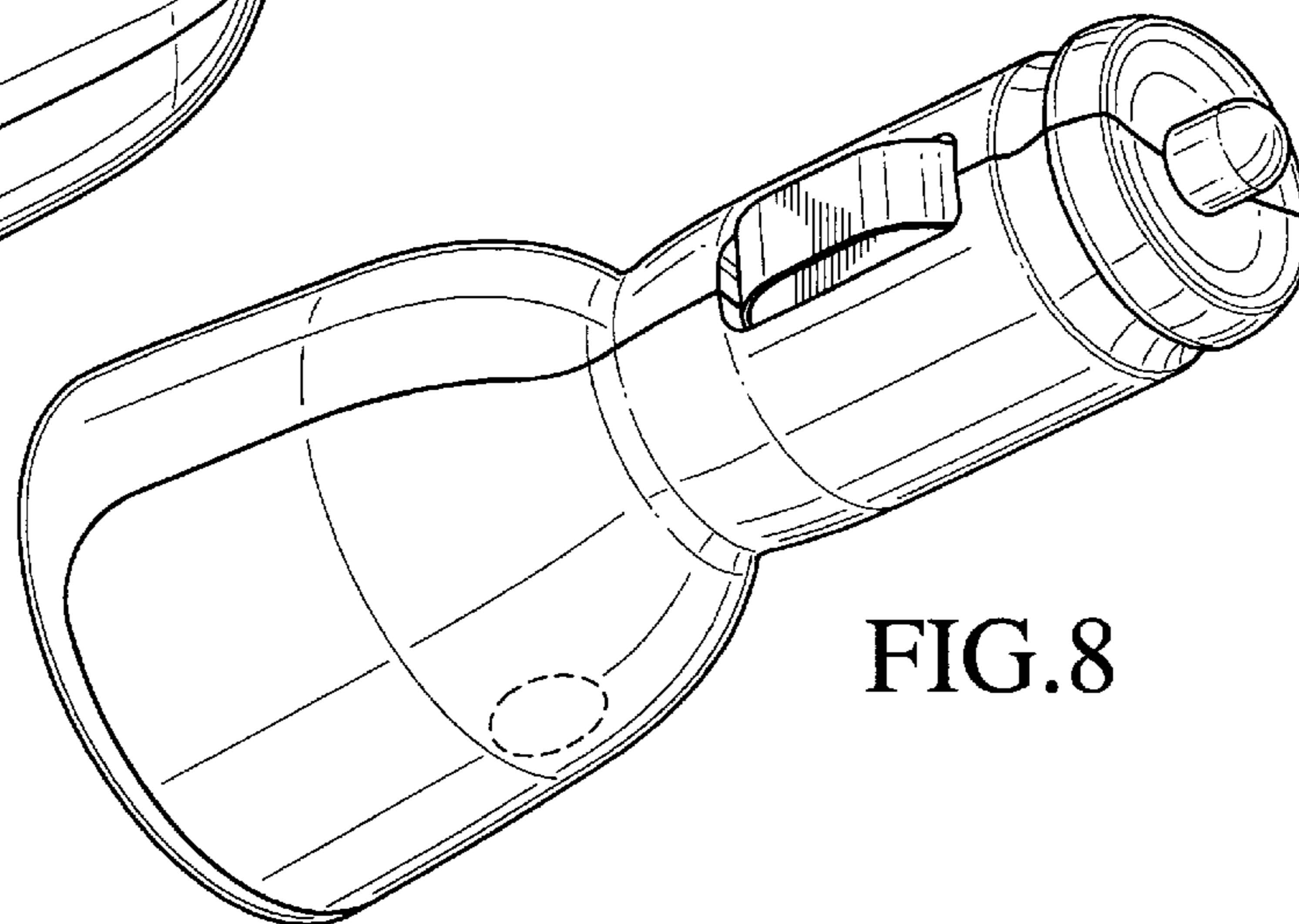


FIG. 8