



US00D525935S

(12) **United States Design Patent**
Hussaini et al.

(10) **Patent No.:** **US D525,935 S**
(45) **Date of Patent:** **** Aug. 1, 2006**

(54) **CHARGING CRADLE FOR ELECTRONIC DEVICE**

D507,794 S * 7/2005 Wang et al. D14/434
D508,459 S * 8/2005 Yoshida D13/108
D509,790 S * 9/2005 Sakai D13/108

(75) Inventors: **Saied Hussaini**, Miami, FL (US); **Marc Iacovelli**, Miami, FL (US)

* cited by examiner

(73) Assignee: **Intec, Inc.**, Miami, FL (US)

Primary Examiner—Alan P. Douglas
Assistant Examiner—Rosemary K. Tarcza

(**) Term: **14 Years**

(74) *Attorney, Agent, or Firm*—Berenato, White & Stavish LLC

(21) Appl. No.: **29/234,134**

(57) **CLAIM**

(22) Filed: **Jul. 14, 2005**

The ornamental design for a charging cradle for electronic device, as shown and described.

(51) **LOC (8) Cl.** **13-02**

(52) **U.S. Cl.** **D13/108**

(58) **Field of Classification Search** D13/107–110,
D13/118–119, 184; D14/251, 253, 432, 434;
D16/219, 237, 242; 320/107–115
See application file for complete search history.

DESCRIPTION

FIG. 1 is a perspective view of the charging cradle for electronic device according to the present invention.

FIG. 2 is a front view of the charging cradle for electronic device of FIG. 1.

FIG. 3 is a rear view of the charging cradle for electronic device of FIG. 1.

FIG. 4 is a left side view of the charging cradle for electronic device of FIG. 1.

FIG. 5 is a right side view of the charging cradle for electronic device of FIG. 1.

FIG. 6 is a top view of the charging cradle for electronic device of FIG. 1; and,

FIG. 7 is a bottom view of the charging cradle for electronic device of FIG. 1.

(56) **References Cited**

U.S. PATENT DOCUMENTS

5,602,458	A	*	2/1997	Dowe	396/205
D422,965	S	*	4/2000	Laufer et al.	D13/108
D428,387	S	*	7/2000	Malloy et al.	D13/107
D458,266	S	*	6/2002	Herath	D14/434
D472,896	S	*	4/2003	Peiker	D14/253
D477,604	S	*	7/2003	Lin	D14/434
D479,523	S	*	9/2003	Peiker	D14/253
D483,052	S	*	12/2003	Utsunomiya	D16/242
D489,323	S	*	5/2004	Yoshida	D13/108
D489,325	S	*	5/2004	Nakamura	D13/110

1 Claim, 7 Drawing Sheets

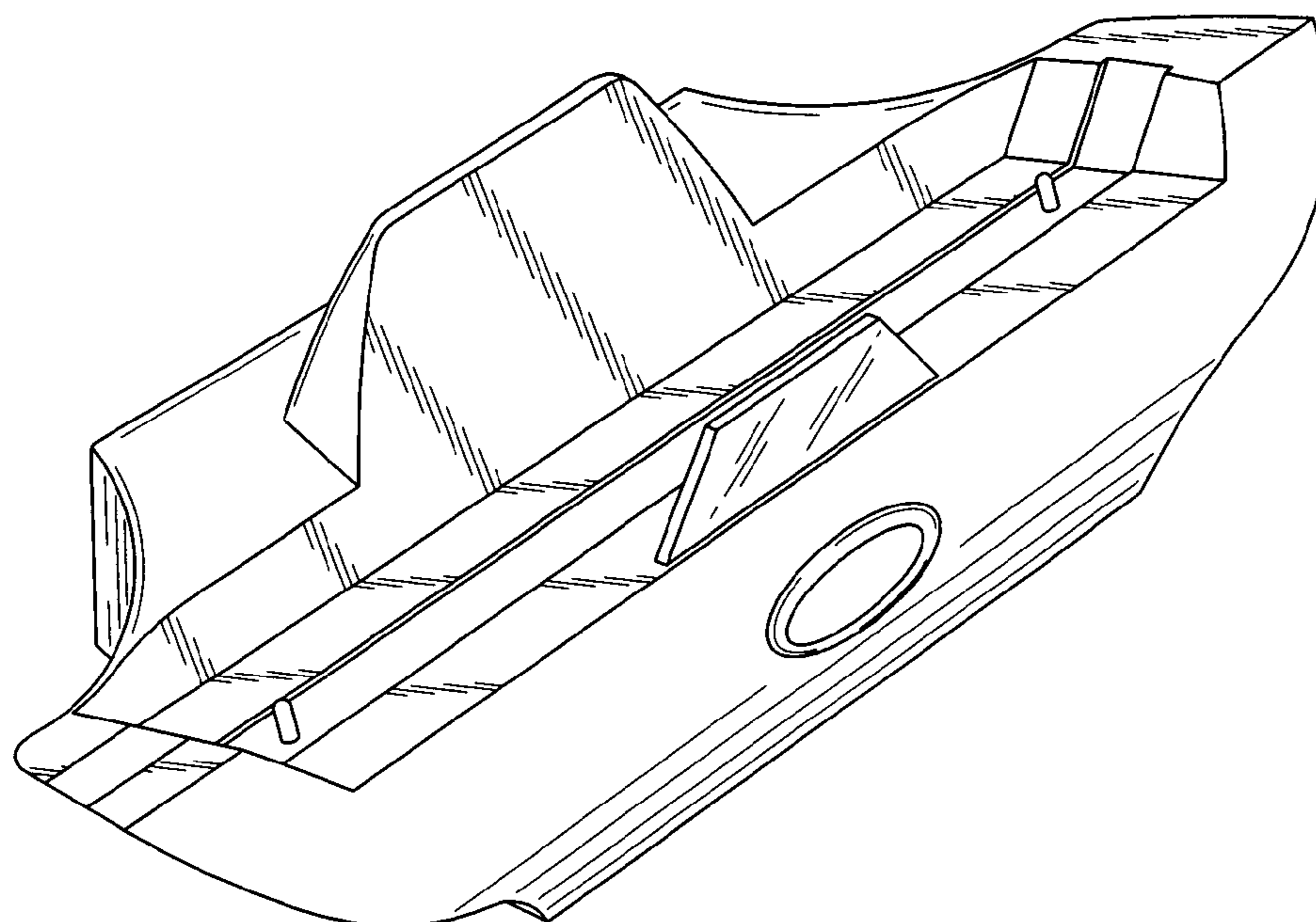


Fig. 1

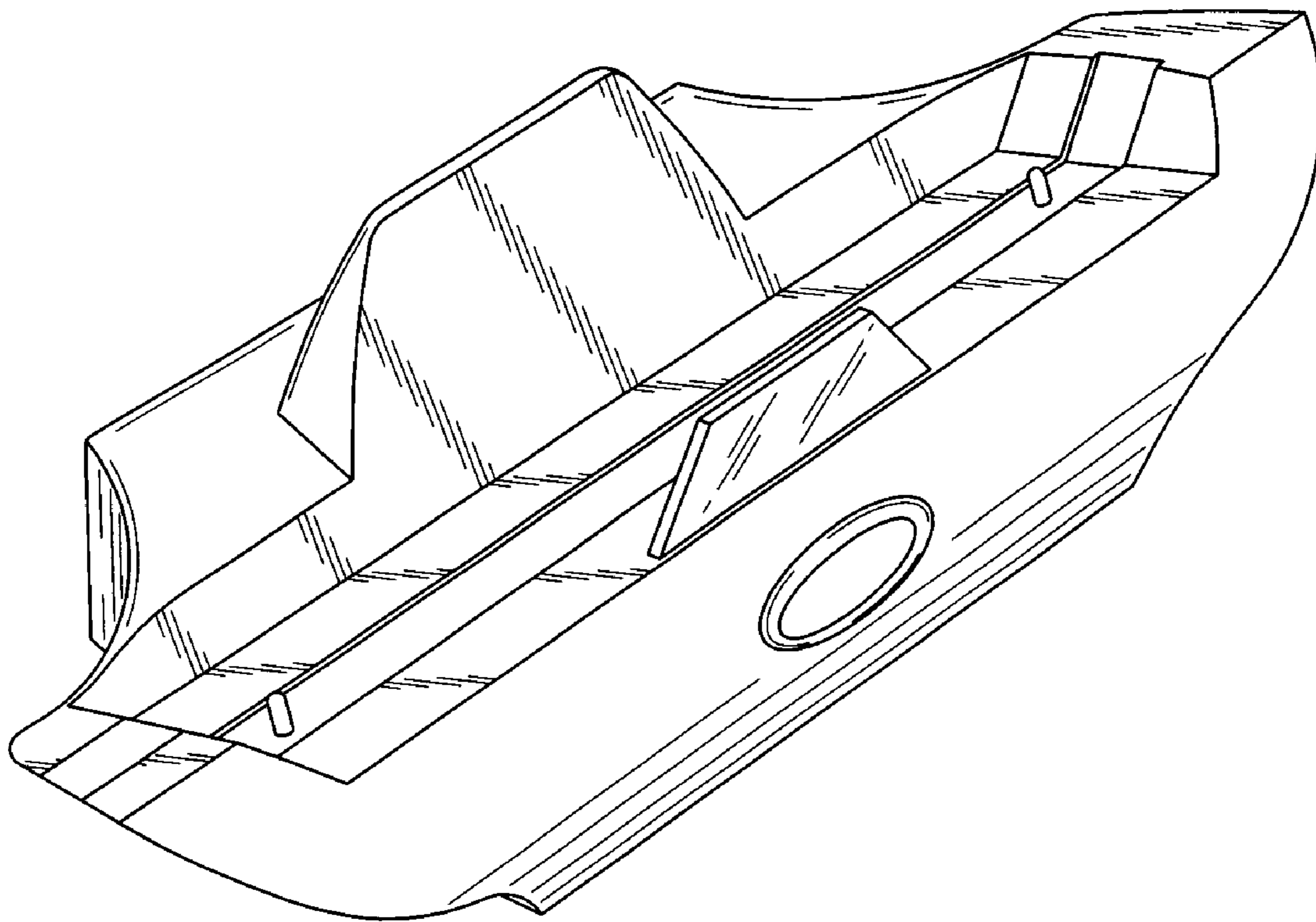


Fig. 2

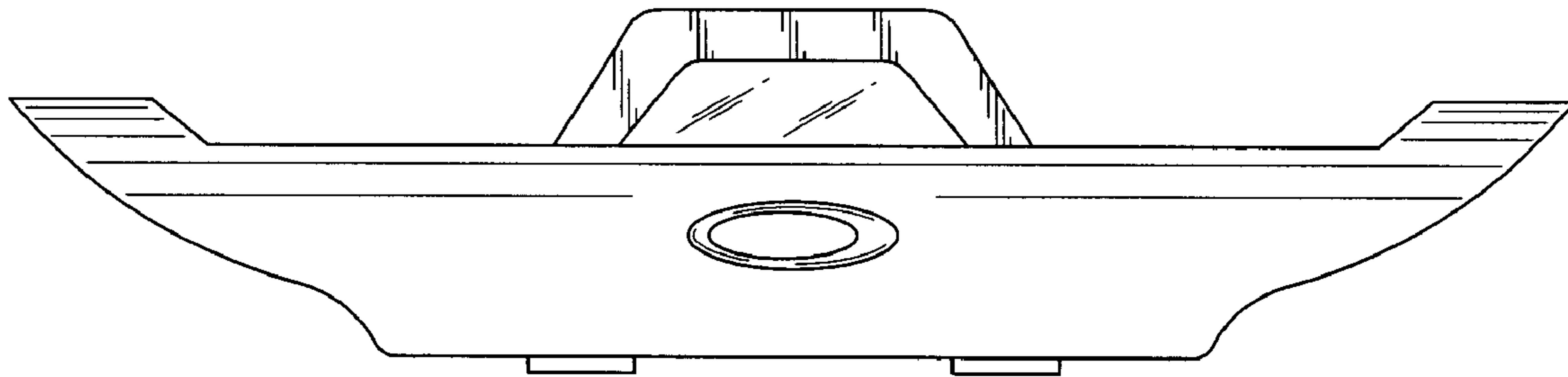


Fig. 3

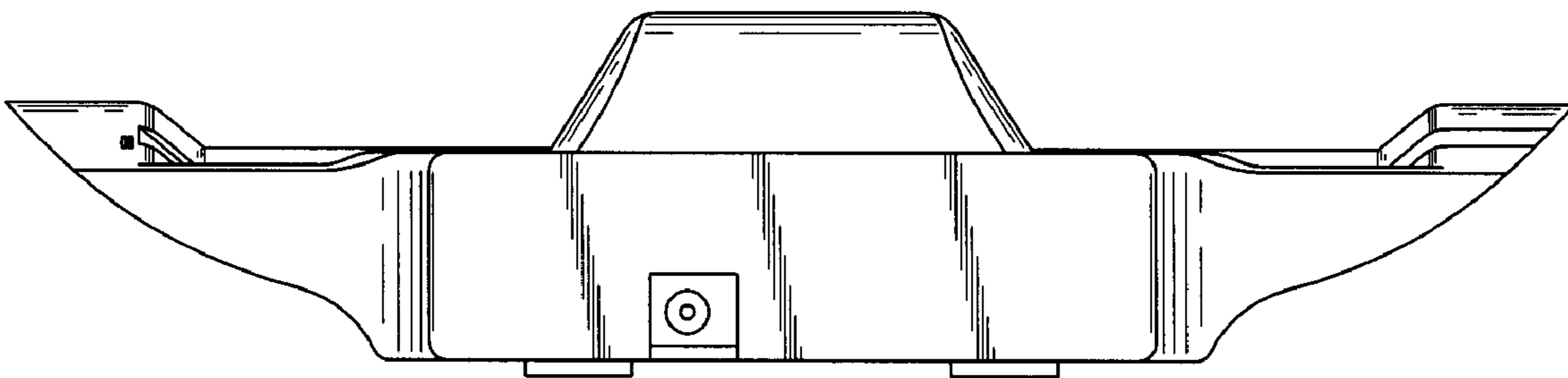


Fig. 4

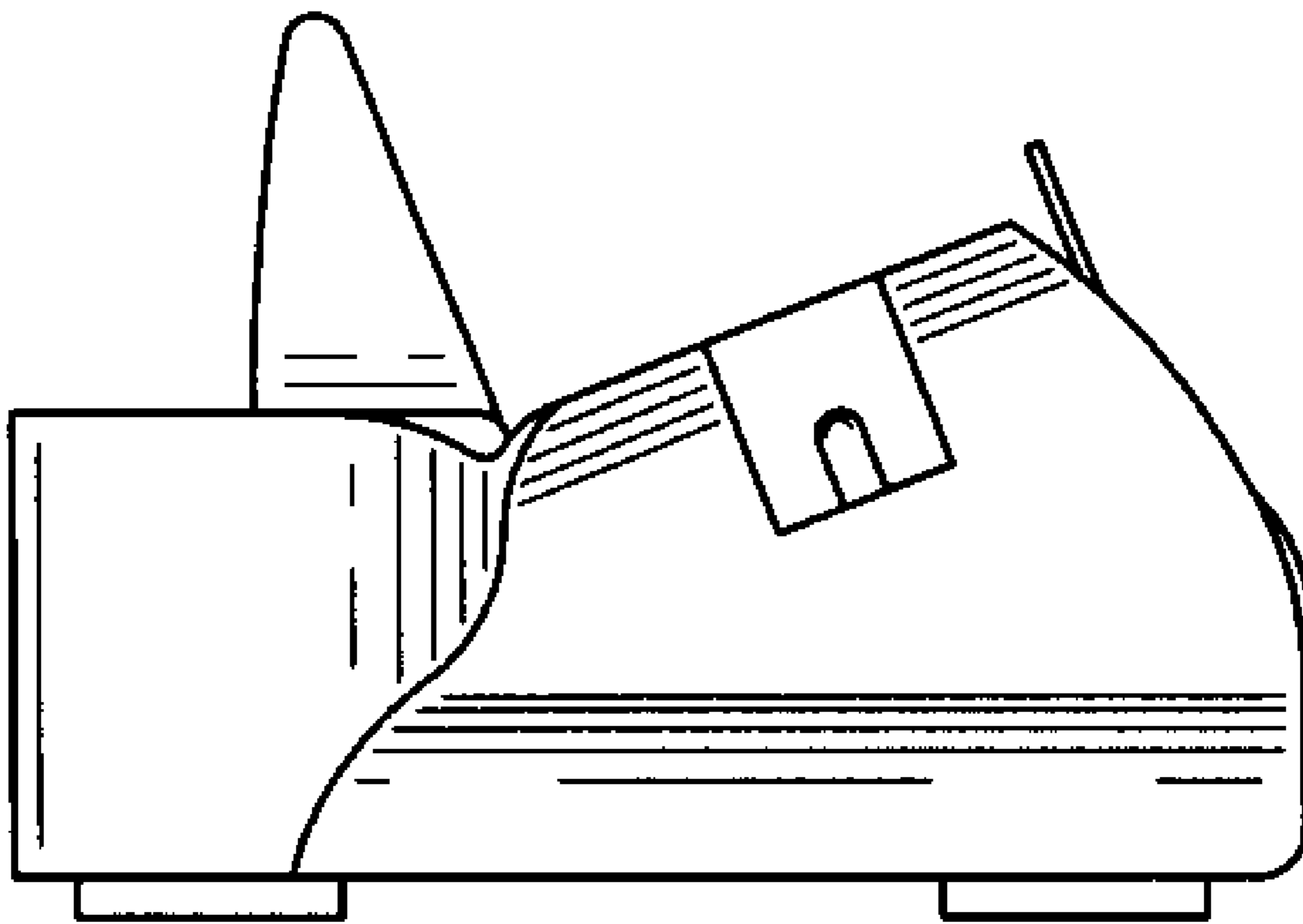


Fig. 5

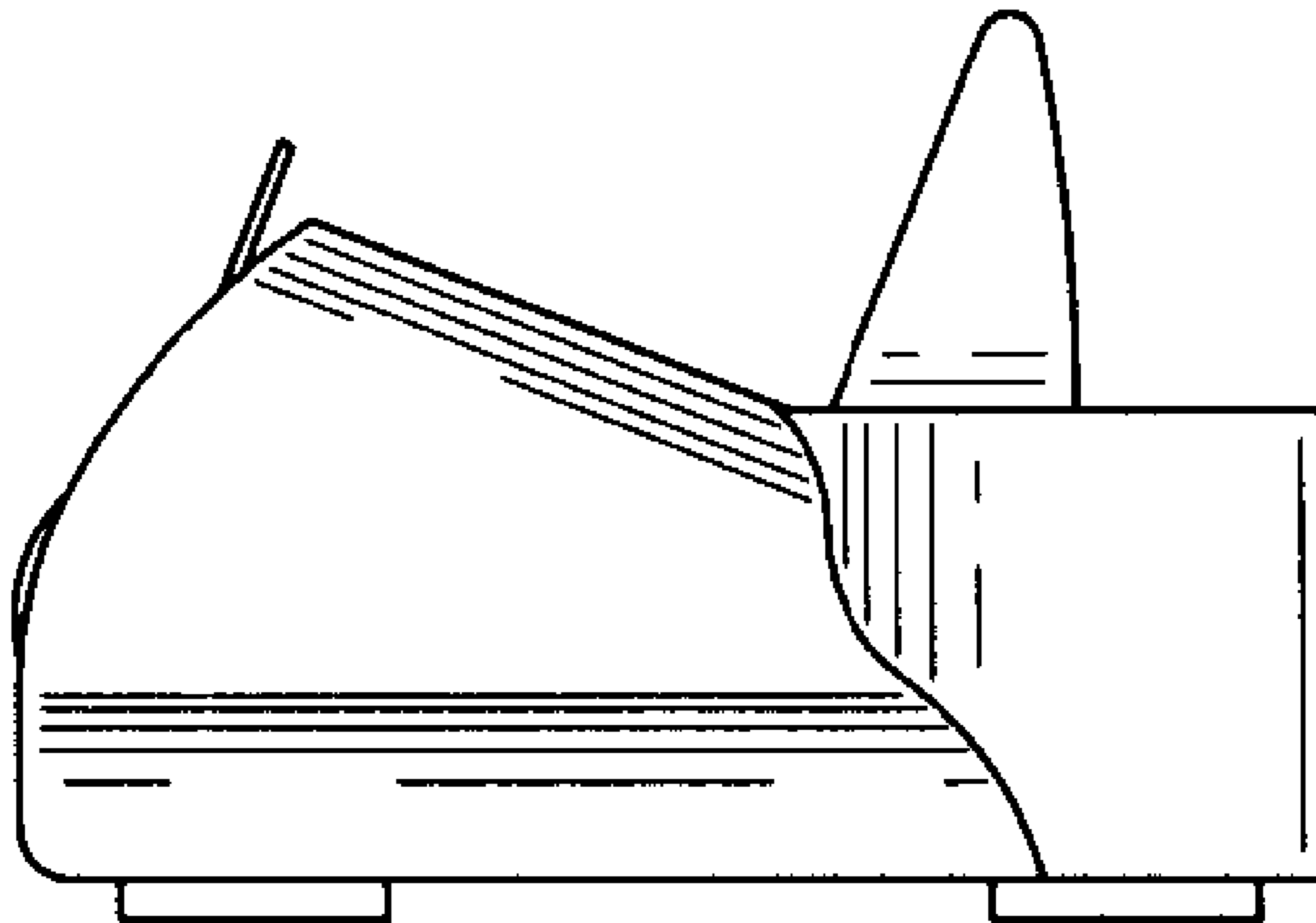


Fig. 6

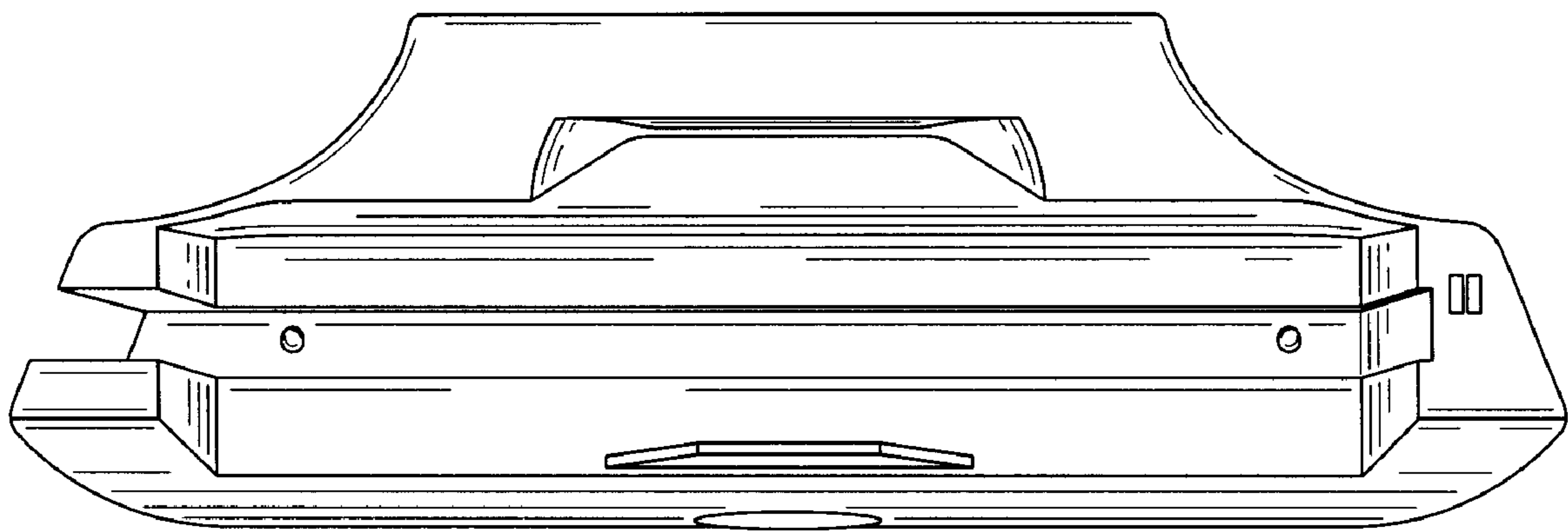


Fig. 7

