



US00D525933S

(12) **United States Design Patent**  
**Lee et al.**

(10) **Patent No.:** **US D525,933 S**

(45) **Date of Patent:** **\*\* Aug. 1, 2006**

(54) **LOWER CONSOLE OF A TRUCK VEHICLE**

(75) Inventors: **Kwan W. Lee**, Troy, MI (US); **Jon Acton**, Lewisville, TX (US); **Robert S. Tirey**, Fort Wayne, IN (US); **Larry N. Reynard**, Fort Wayne, IN (US)

(73) Assignee: **International Truck and Engine Corporation Canada**, Warrenville, IL (US)

(\*\*) Term: **14 Years**

(21) Appl. No.: **29/244,699**

(22) Filed: **Dec. 13, 2005**

(51) **LOC (8) Cl.** ..... **12-16**

(52) **U.S. Cl.** ..... **D12/419**

(58) **Field of Classification Search** ..... D12/415-419, D12/421-423, 195; 296/37.1, 37.6, 37.8, 296/37.13-37.16; 224/275-276, 42.11, 926, 224/539-543; 280/750-752, 770, 762; 297/411.26, 297/411.23; 180/90; D15/28; D7/619.1-625, D7/509, 523

See application file for complete search history.

(56) **References Cited**

**U.S. PATENT DOCUMENTS**

D371,538 S \* 7/1996 Ferrigan ..... D12/419

D375,719 S \* 11/1996 Schlangen et al. .... D12/419  
D444,120 S \* 6/2001 Smith ..... D12/419  
D447,998 S \* 9/2001 Pfeiffer et al. .... D12/415  
D448,001 S \* 9/2001 Pfeiffer et al. .... D12/419  
D490,044 S \* 5/2004 Smith ..... D12/419

\* cited by examiner

*Primary Examiner*—Stacia Cadmus

(74) *Attorney, Agent, or Firm*—Jeffrey P. Calfa; Gerald W. Askew; Dennis Kelly Sullivan

(57) **CLAIM**

The ornamental design for a lower console of a truck vehicle, as shown and described.

**DESCRIPTION**

FIG. 1 is a right, front perspective view of a lower console of a truck vehicle showing our new design;

FIG. 2 is a front view thereof;

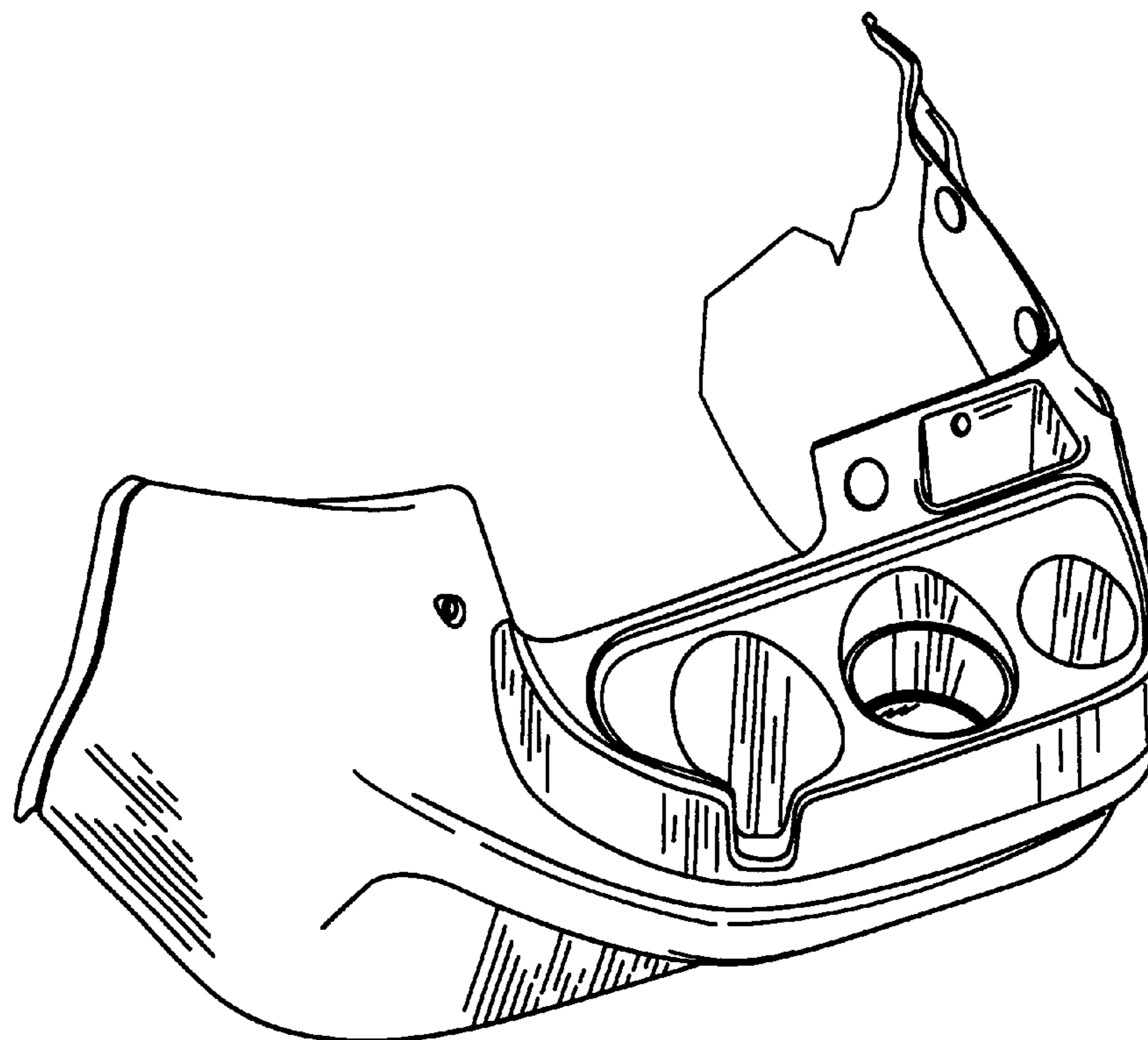
FIG. 3 is a right view thereof;

FIG. 4 is a left view thereof;

FIG. 5 is a top view thereof; and,

FIG. 6 is a bottom view thereof.

**1 Claim, 3 Drawing Sheets**



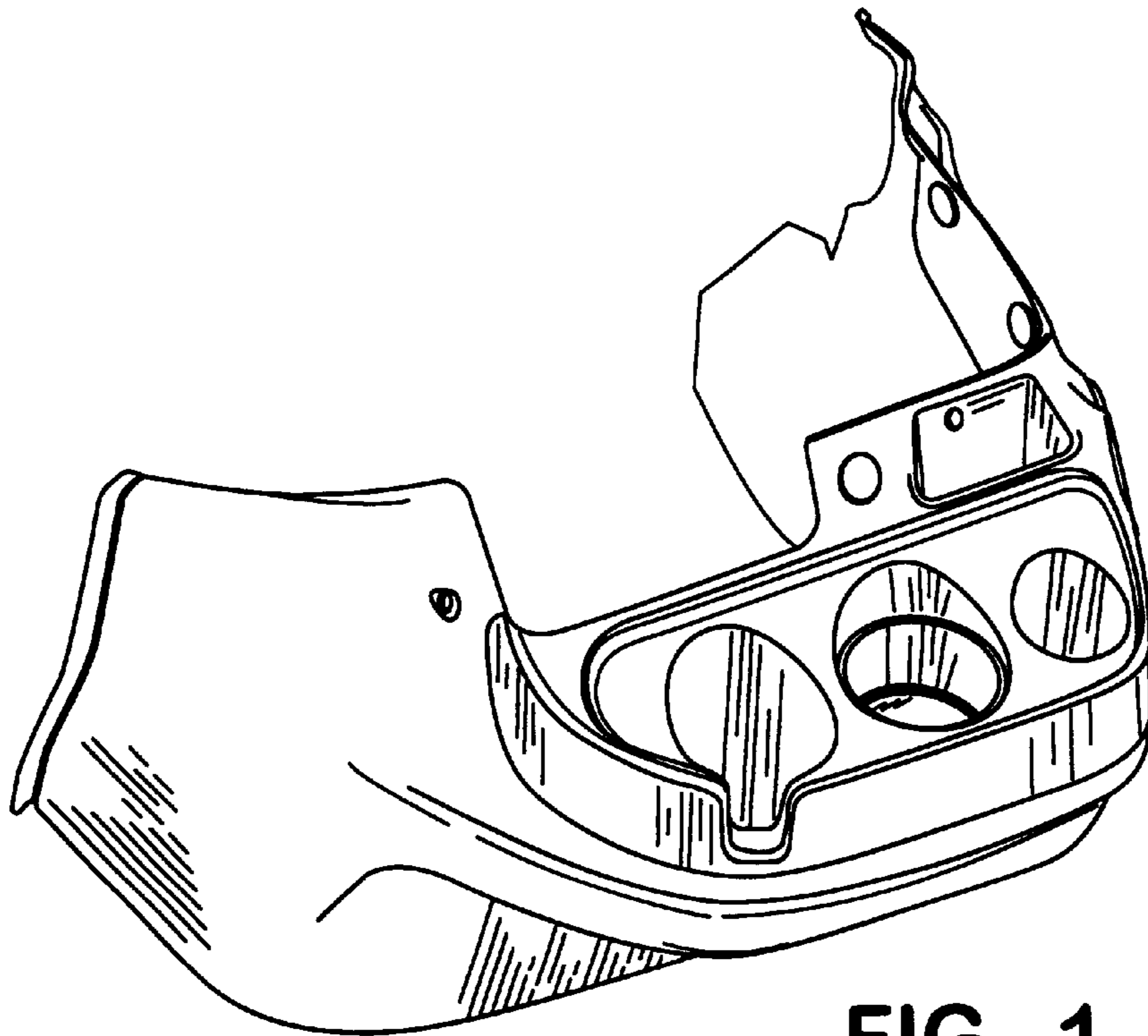


FIG. 1

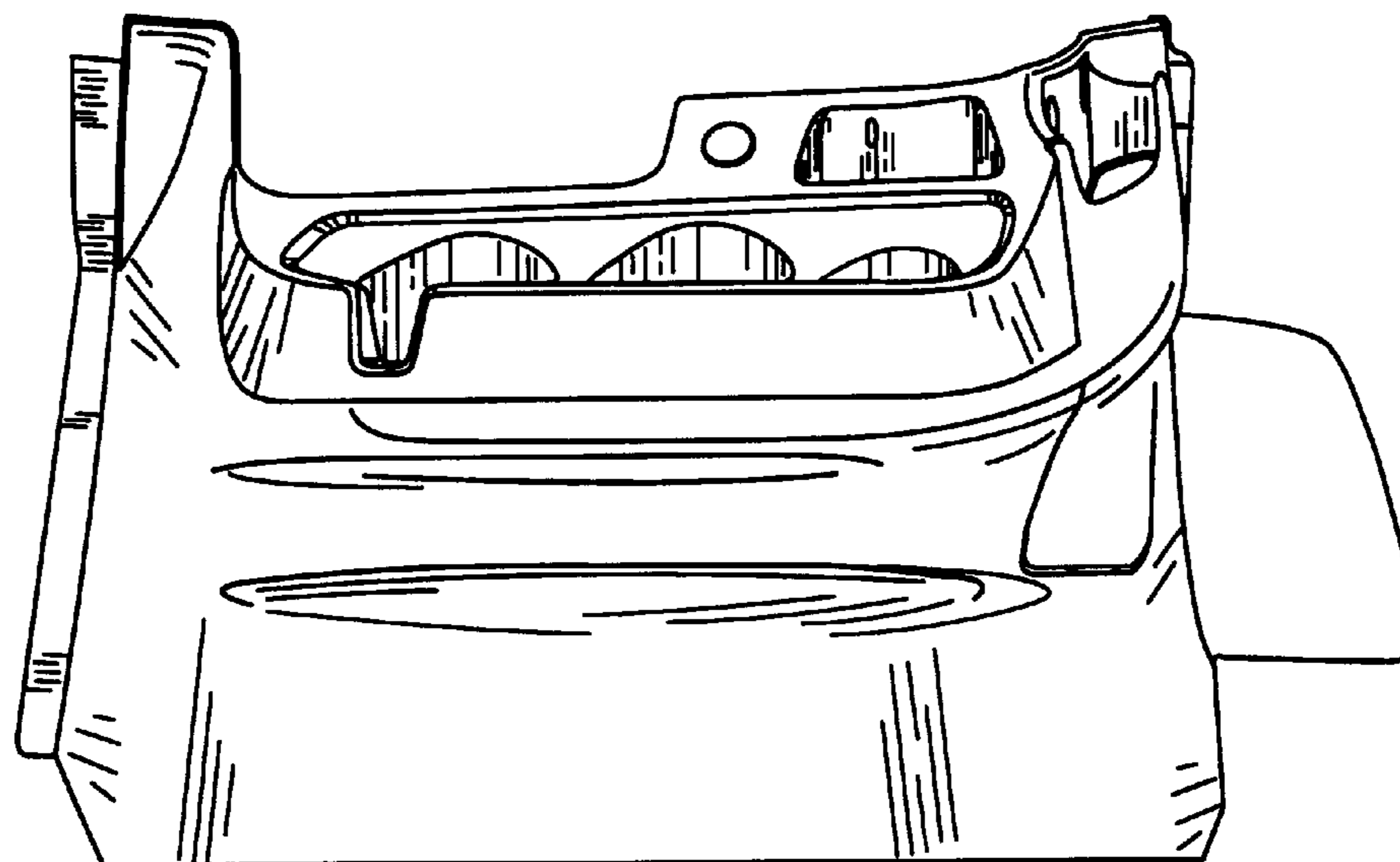
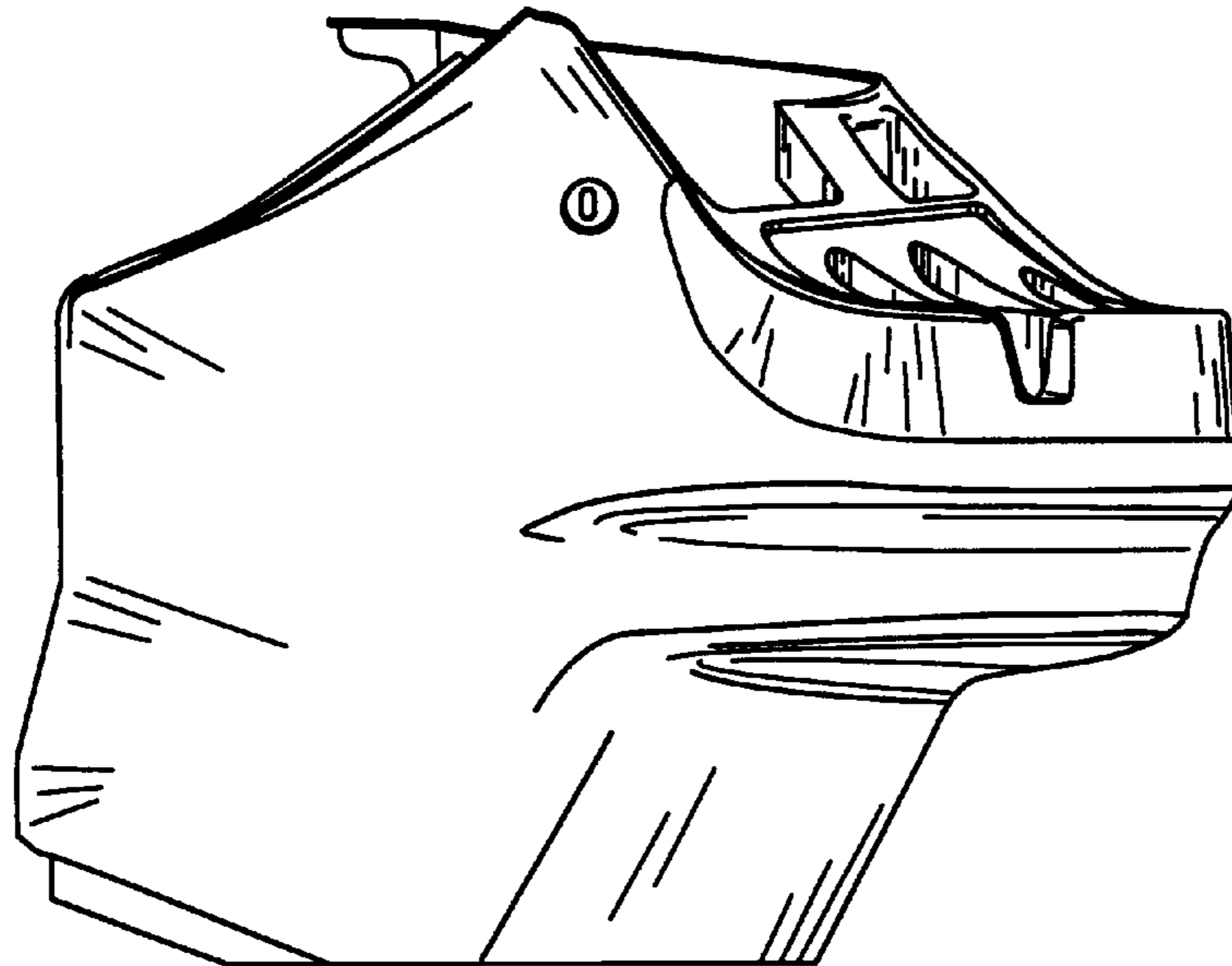
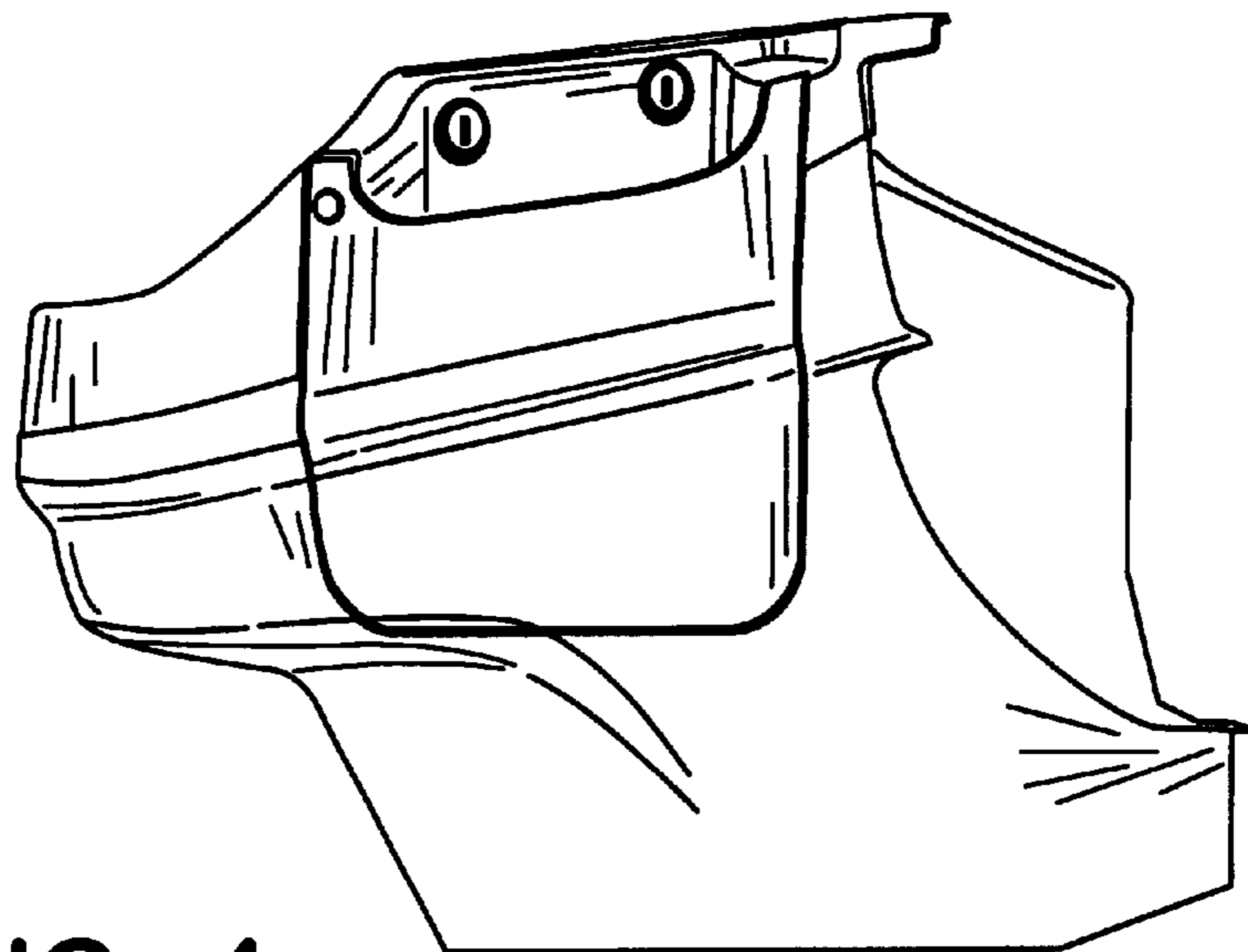


FIG. 2



**FIG. 3**



**FIG. 4**

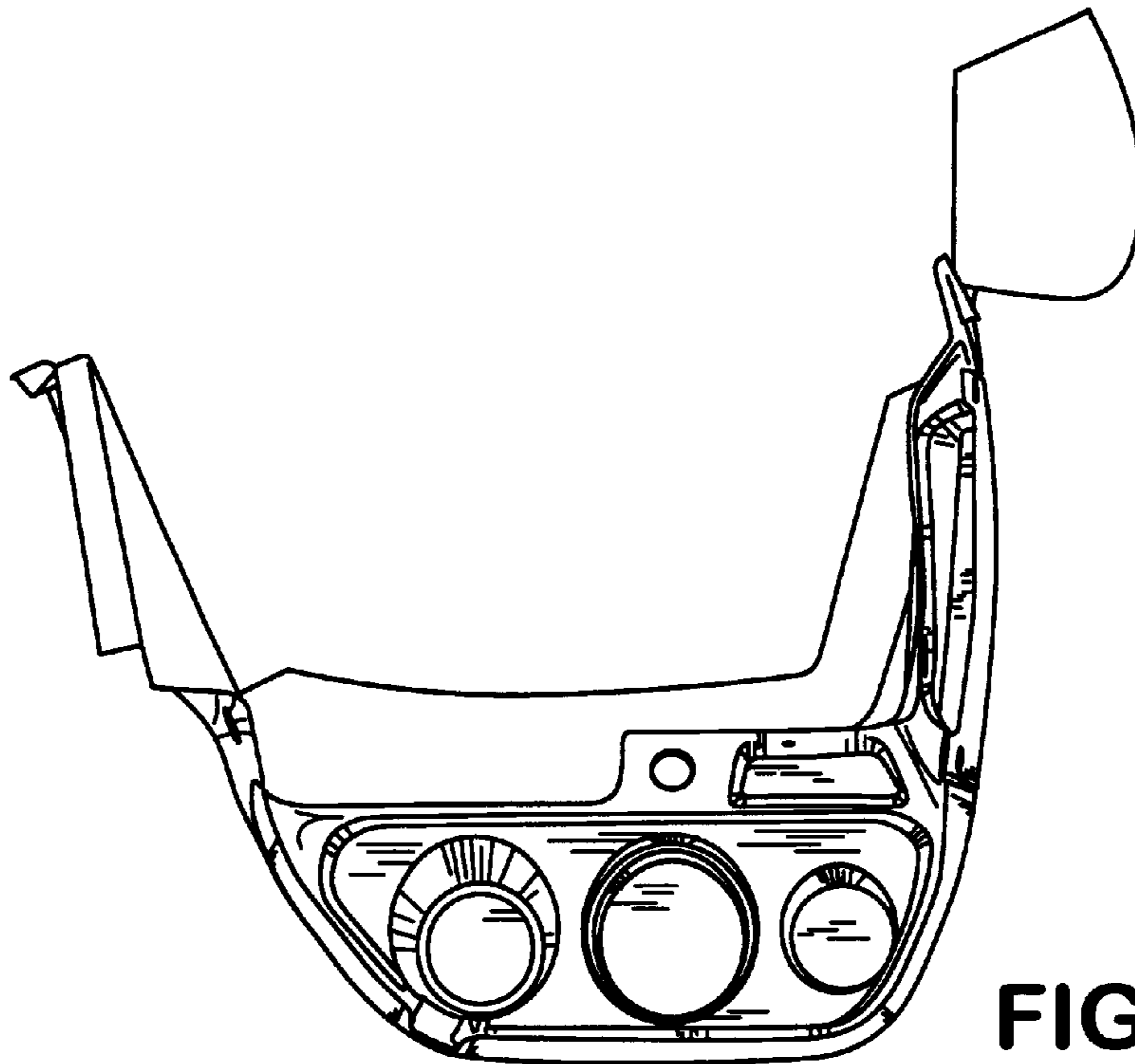


FIG. 5

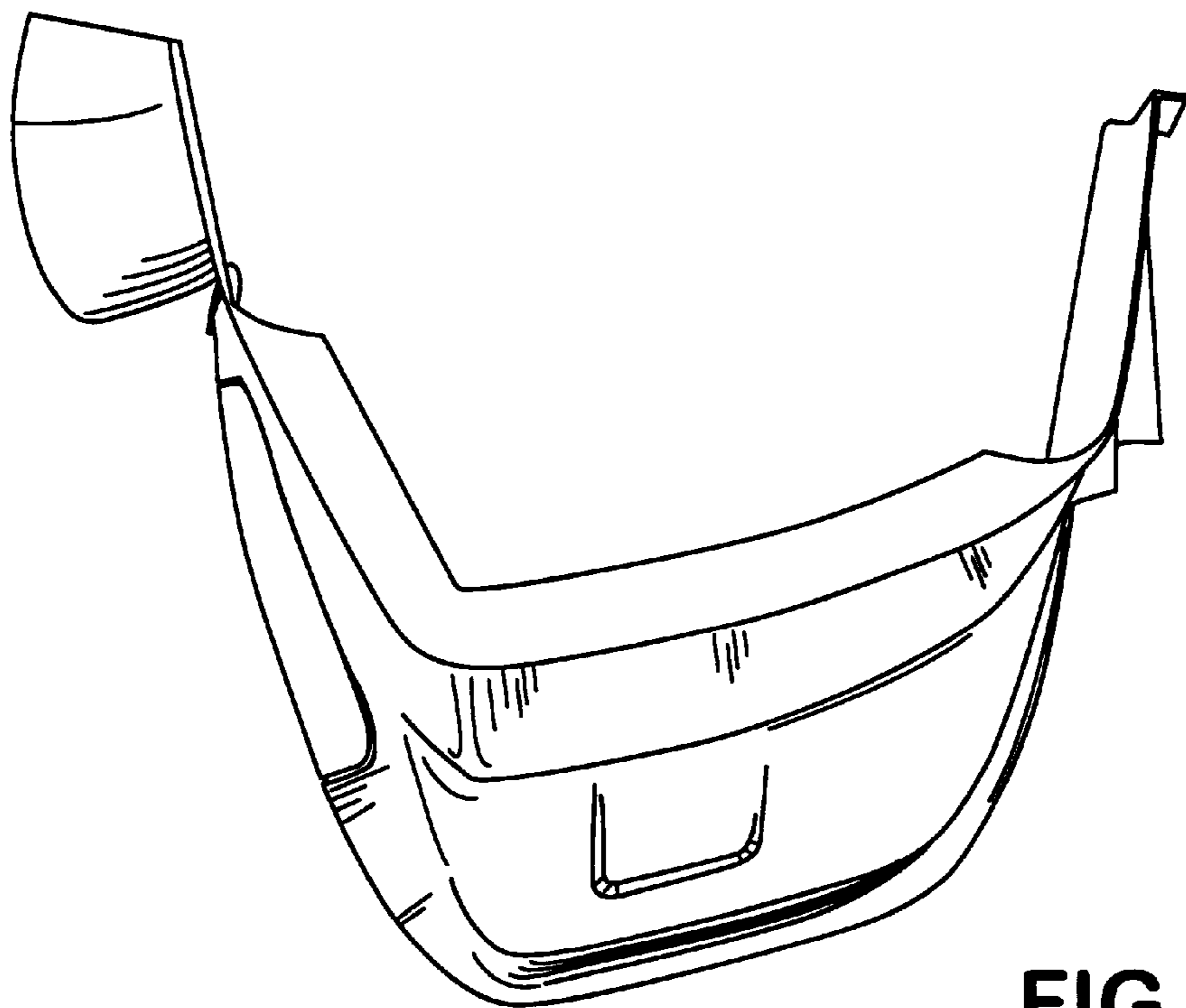


FIG. 6