

US00D525932S

(12) **United States Design Patent**
Hettler

(10) **Patent No.:** **US D525,932 S**

(45) **Date of Patent:** **** Aug. 1, 2006**

(54) **FRONT FACE OF A VEHICLE WHEEL**

(75) Inventor: **Jan Hettler**, Munich (DE)

(73) Assignee: **Bayerische Motoren Werke
Aktiengesellschaft**, Munich (DE)

(**) Term: **14 Years**

(21) Appl. No.: **29/242,307**

(22) Filed: **Nov. 9, 2005**

(30) **Foreign Application Priority Data**

May 11, 2005 (DE) 40502549

(51) **LOC (8) Cl.** **12-16**

(52) **U.S. Cl.** **D12/211**

(58) **Field of Classification Search** D12/204-213;
301/37.101, 64.101, 65

See application file for complete search history.

(56) **References Cited**

U.S. PATENT DOCUMENTS

- D348,243 S * 6/1994 Echazabal et al. D12/211
- D350,932 S * 9/1994 Echazabel et al. D12/211
- D416,849 S * 11/1999 Weidhase D12/211

- D438,503 S * 3/2001 Syring D12/211
- D451,067 S * 11/2001 Frizzi D12/211
- D472,865 S * 4/2003 Wechner D12/211
- D480,035 S * 9/2003 Frohlich D12/211
- D493,404 S * 7/2004 Baum D12/211
- D500,726 S * 1/2005 Hettler D12/211
- D516,989 S * 3/2006 Baum D12/211

FOREIGN PATENT DOCUMENTS

EP 213335-0007 11/2004

* cited by examiner

Primary Examiner—Stacia Cadmus

(74) *Attorney, Agent, or Firm*—Crowell & Moring LLP

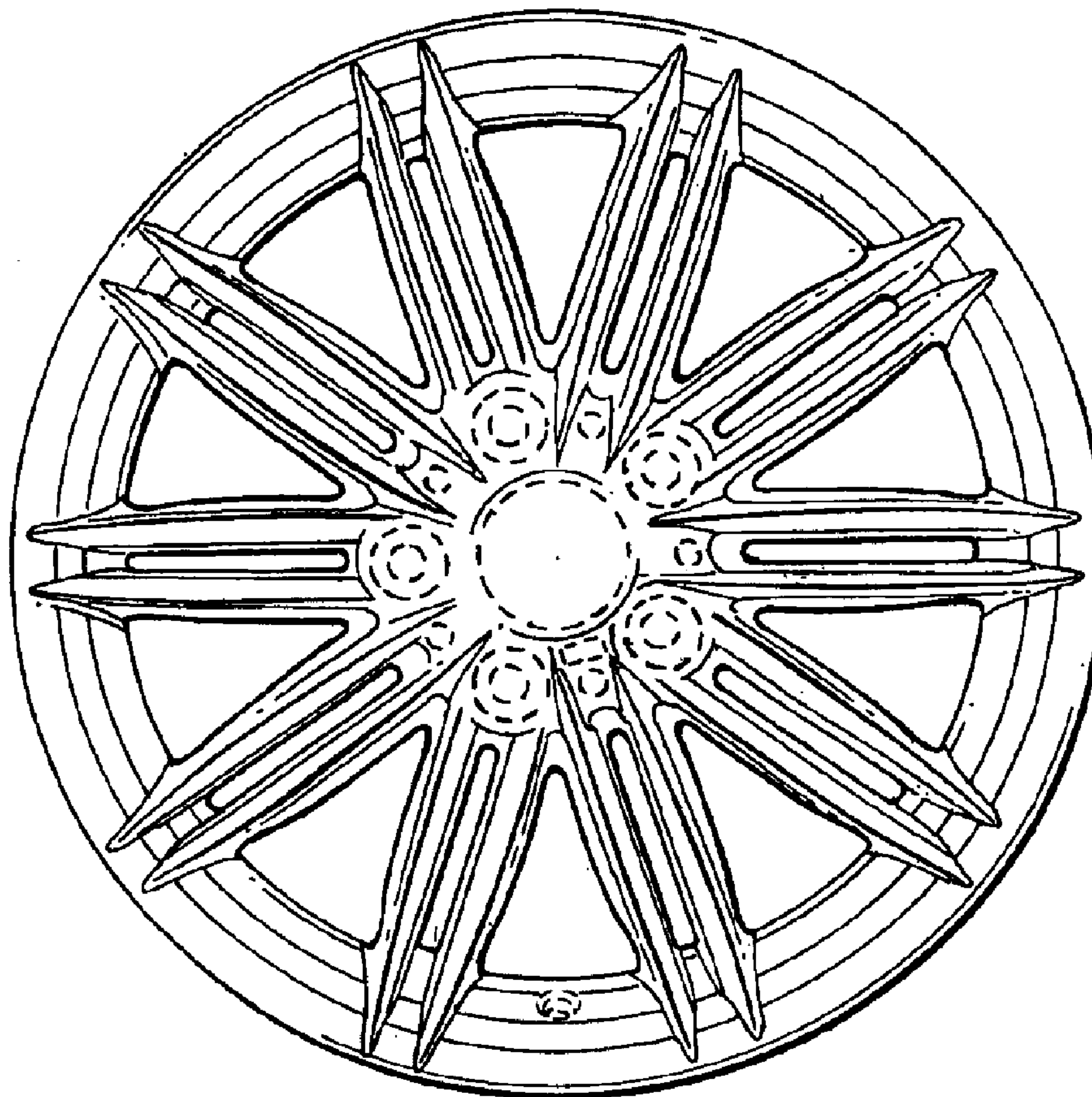
(57) **CLAIM**

The ornamental design for a front face of a vehicle wheel, as shown and described.

DESCRIPTION

FIG. 1 is a front view of a front face of a vehicle wheel according to my novel design; and, FIG. 2 is a perspective view thereof. The broken lines are for illustrative purposes only and form no part of the claimed design.

1 Claim, 1 Drawing Sheet



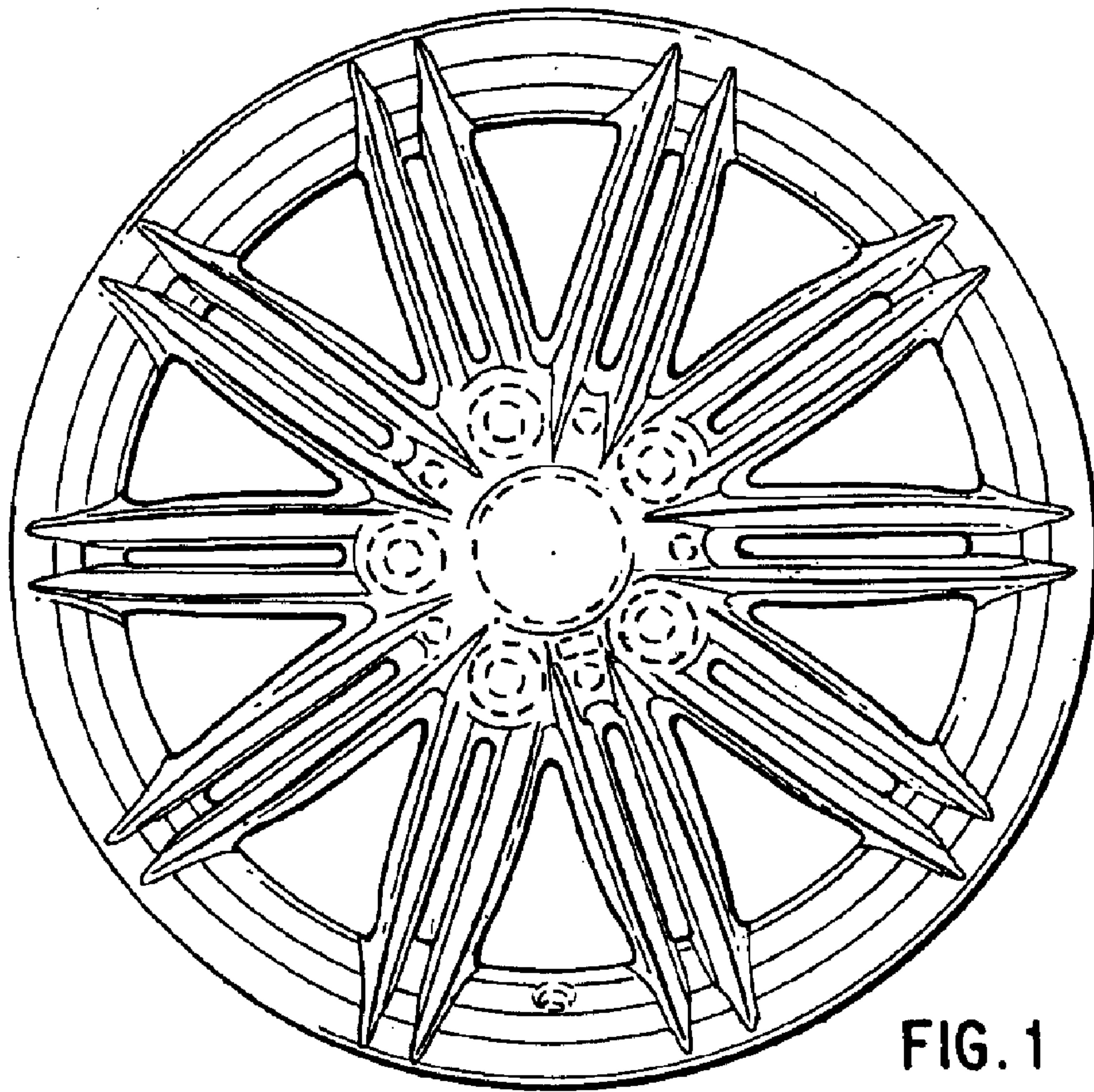


FIG. 1

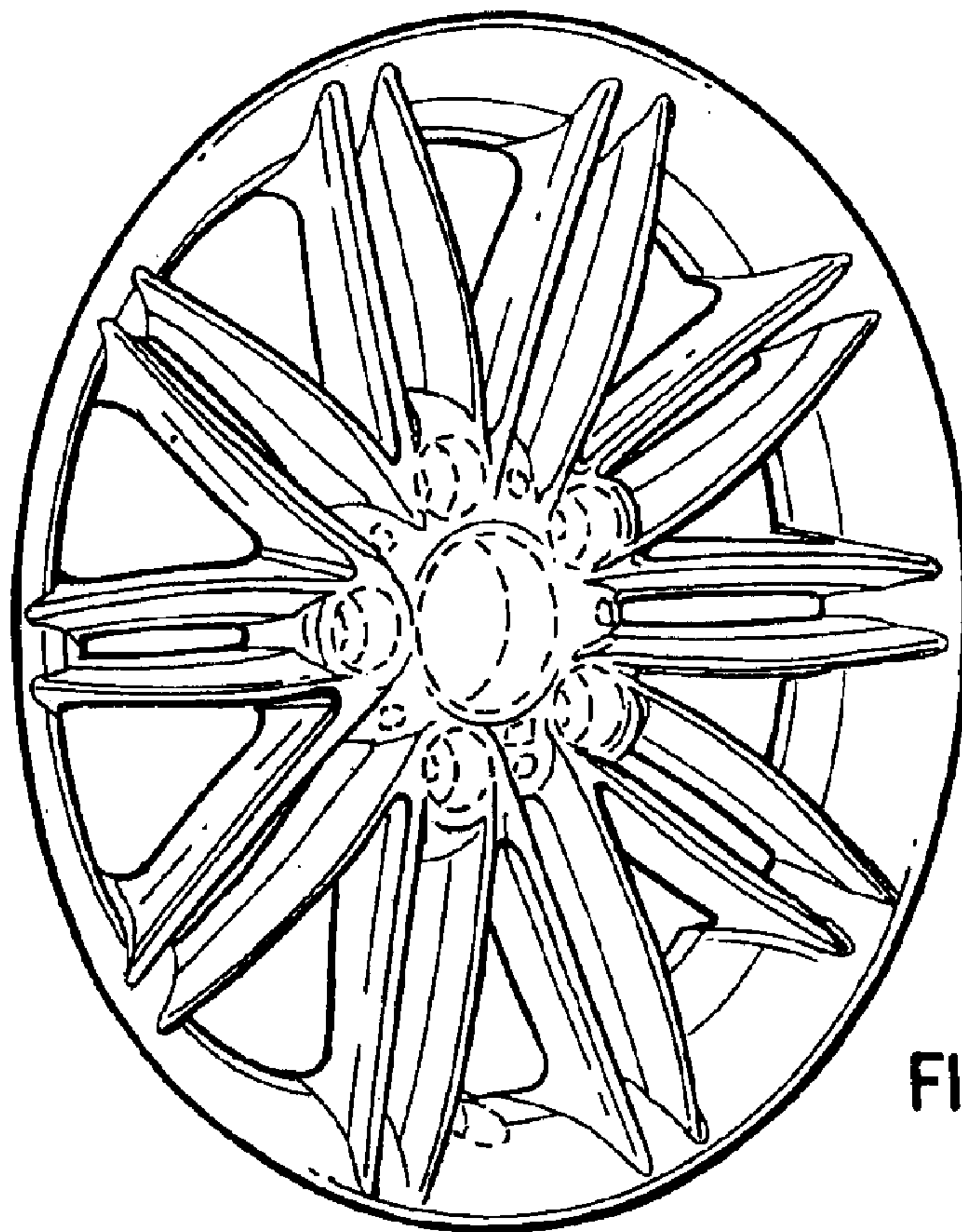


FIG. 2