

US00D525928S

(12) **United States Design Patent**
Pfeiffer

(10) **Patent No.:** **US D525,928 S**

(45) **Date of Patent:** **** Aug. 1, 2006**

(54) **FRONT FACE OF A VEHICLE WHEEL**

(75) Inventor: **Peter Pfeiffer**, Boeblingen (DE)

(73) Assignee: **DaimlerChrysler AG**, Stuttgart (DE)

(**) Term: **14 Years**

(21) Appl. No.: **29/232,595**

(22) Filed: **Jun. 22, 2005**

(30) **Foreign Application Priority Data**

Dec. 23, 2004 (DE) 40407218

(51) **LOC (8) Cl.** **12-16**

(52) **U.S. Cl.** **D12/209**

(58) **Field of Classification Search** D12/204-213;
301/37.101, 64.101, 65

See application file for complete search history.

(56) **References Cited**

U.S. PATENT DOCUMENTS

D423,446 S	*	4/2000	Chung	D12/211
D444,118 S	*	6/2001	Chung	D12/211
D466,067 S	*	11/2002	Muzzarelli	D12/211
D466,852 S	*	12/2002	Pfeiffer et al.	D12/211
D481,982 S	*	11/2003	Takechi	D12/211
D487,242 S	*	3/2004	Lecher et al.	D12/211

D500,725 S	*	1/2005	Hong	D12/211
D504,649 S	*	5/2005	Pfeiffer	D12/209
D504,860 S	*	5/2005	Kushartanto	D12/211
D505,373 S	*	5/2005	Pfeiffer	D12/209
D513,221 S	*	12/2005	Pfeiffer	D12/211
D513,726 S	*	1/2006	Kamimura	D12/211

* cited by examiner

Primary Examiner—Stacia Cadmus

(74) *Attorney, Agent, or Firm*—Crowell & Moring LLP

(57) **CLAIM**

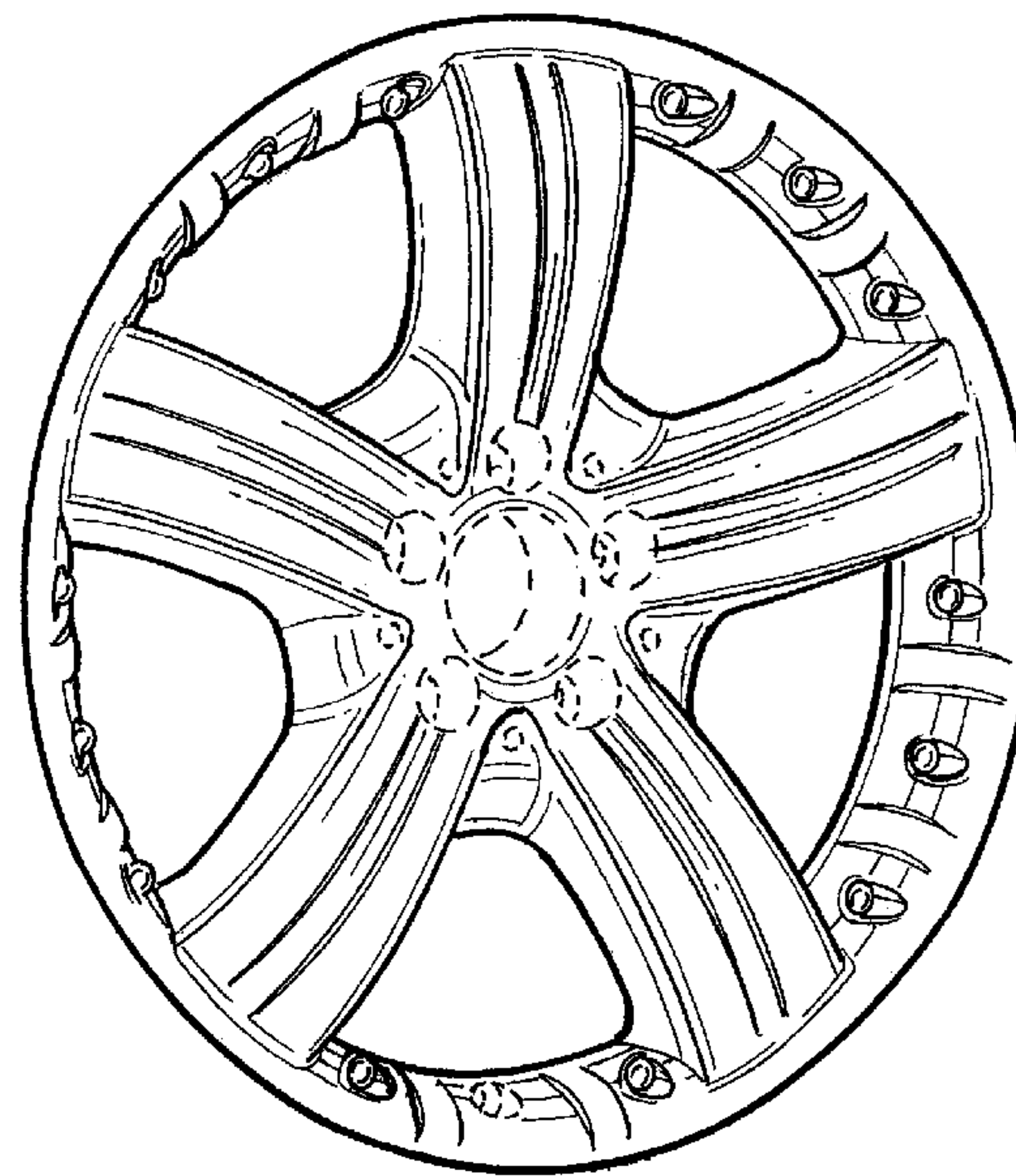
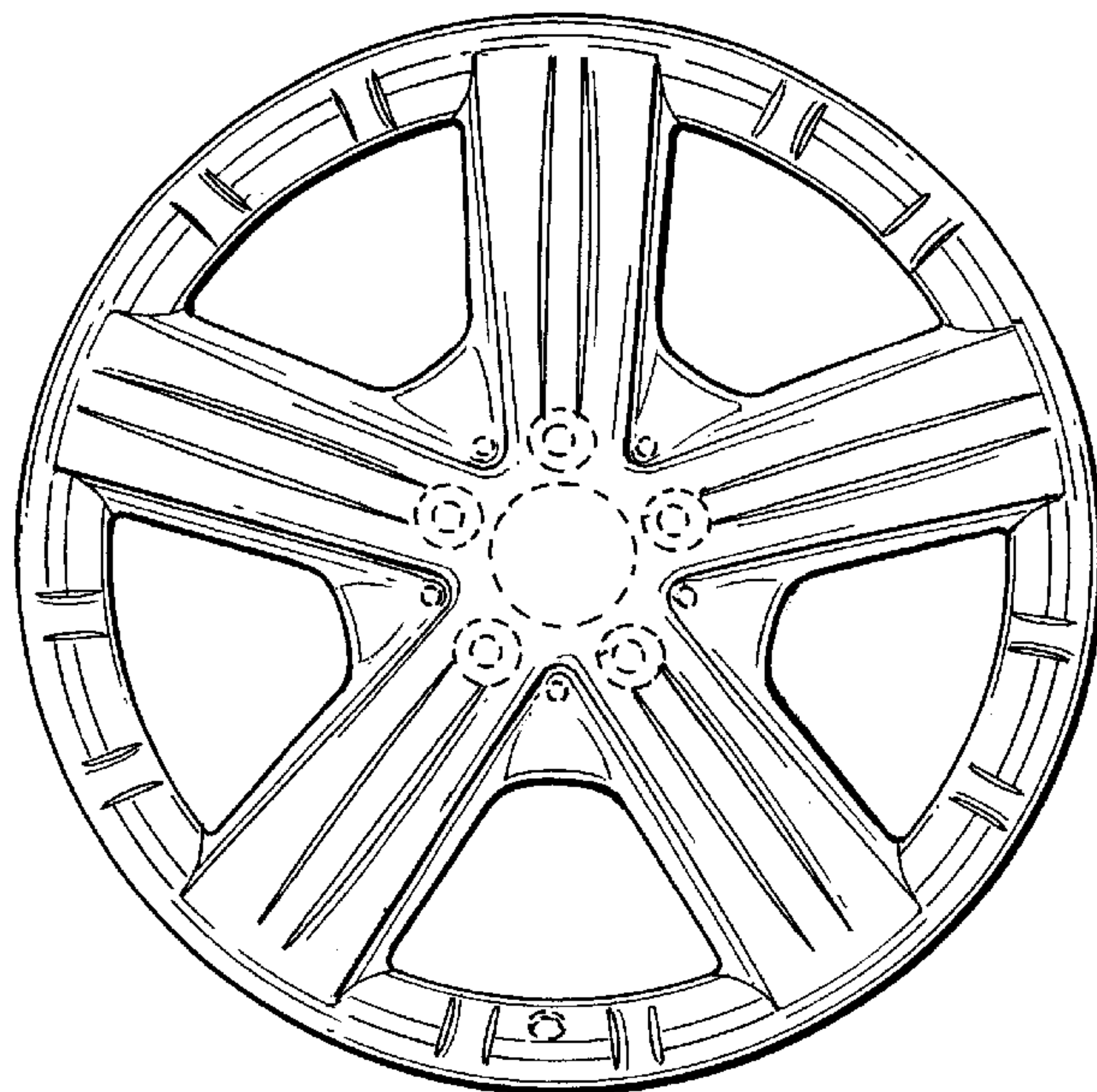
The ornamental design for a front face of a vehicle wheel, as shown and described.

DESCRIPTION

FIG. 1 is a front view of a first embodiment of a front face of a vehicle wheel according to my novel design; FIG. 2 is a perspective view of the first embodiment of the front face of a vehicle wheel according to my novel design; FIG. 3 is a front view of a second embodiment of the front face of a vehicle wheel according to my novel design; and, FIG. 4 is a perspective view of the second embodiment of the front face of a vehicle wheel according to my novel design.

The broken lines are for illustrative purposes only and form no part of the claimed design.

1 Claim, 2 Drawing Sheets



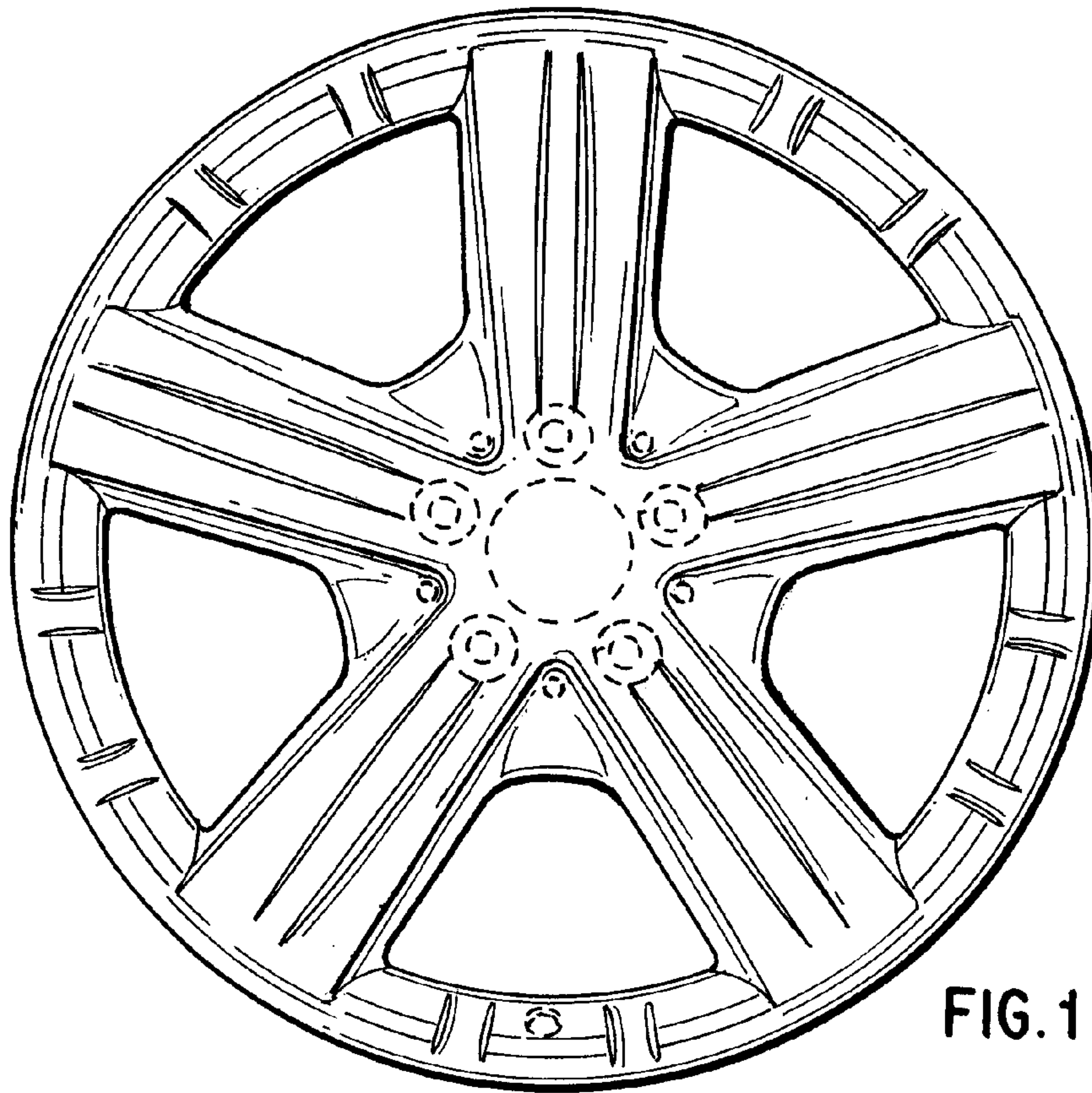


FIG. 1

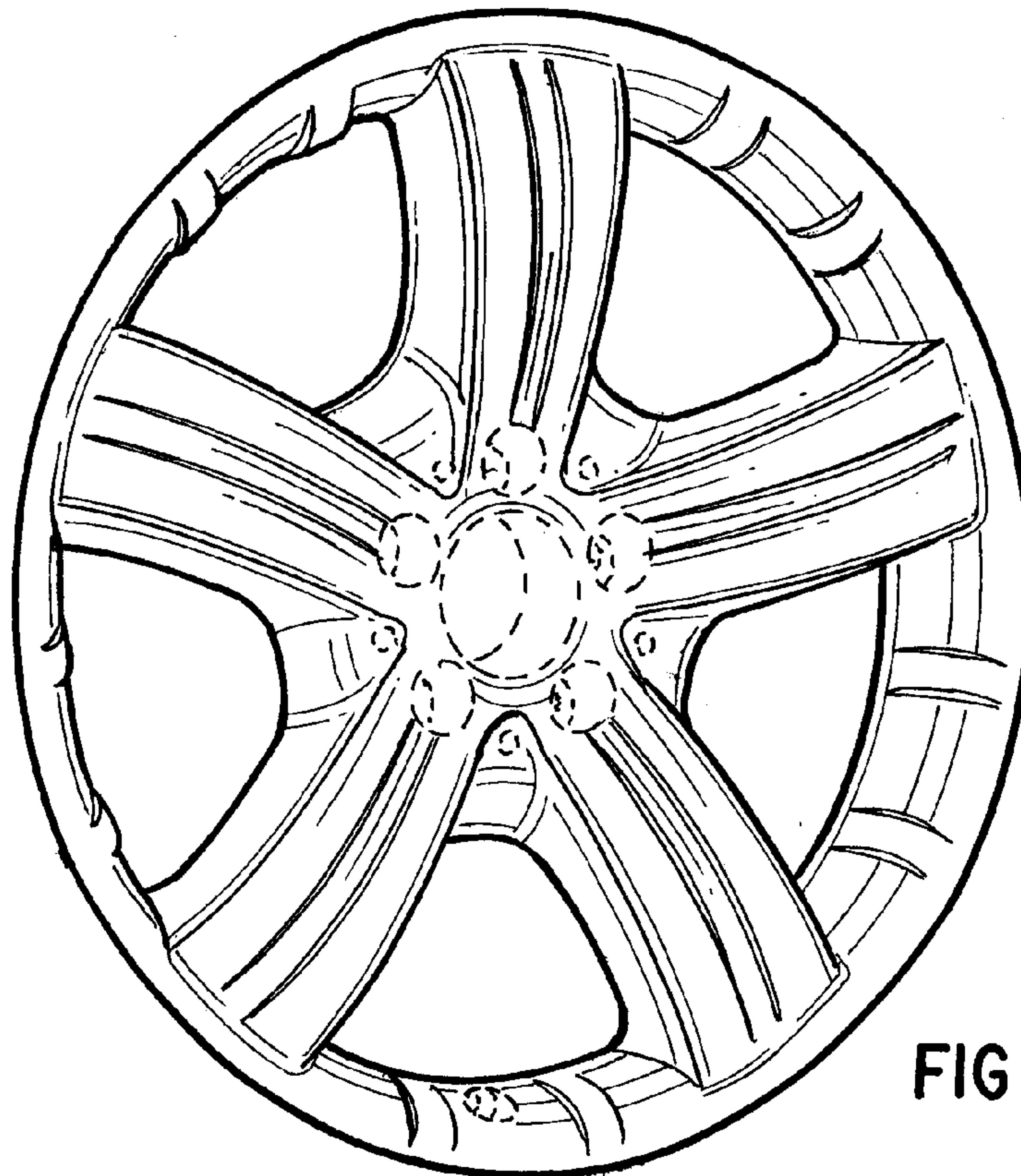


FIG. 2

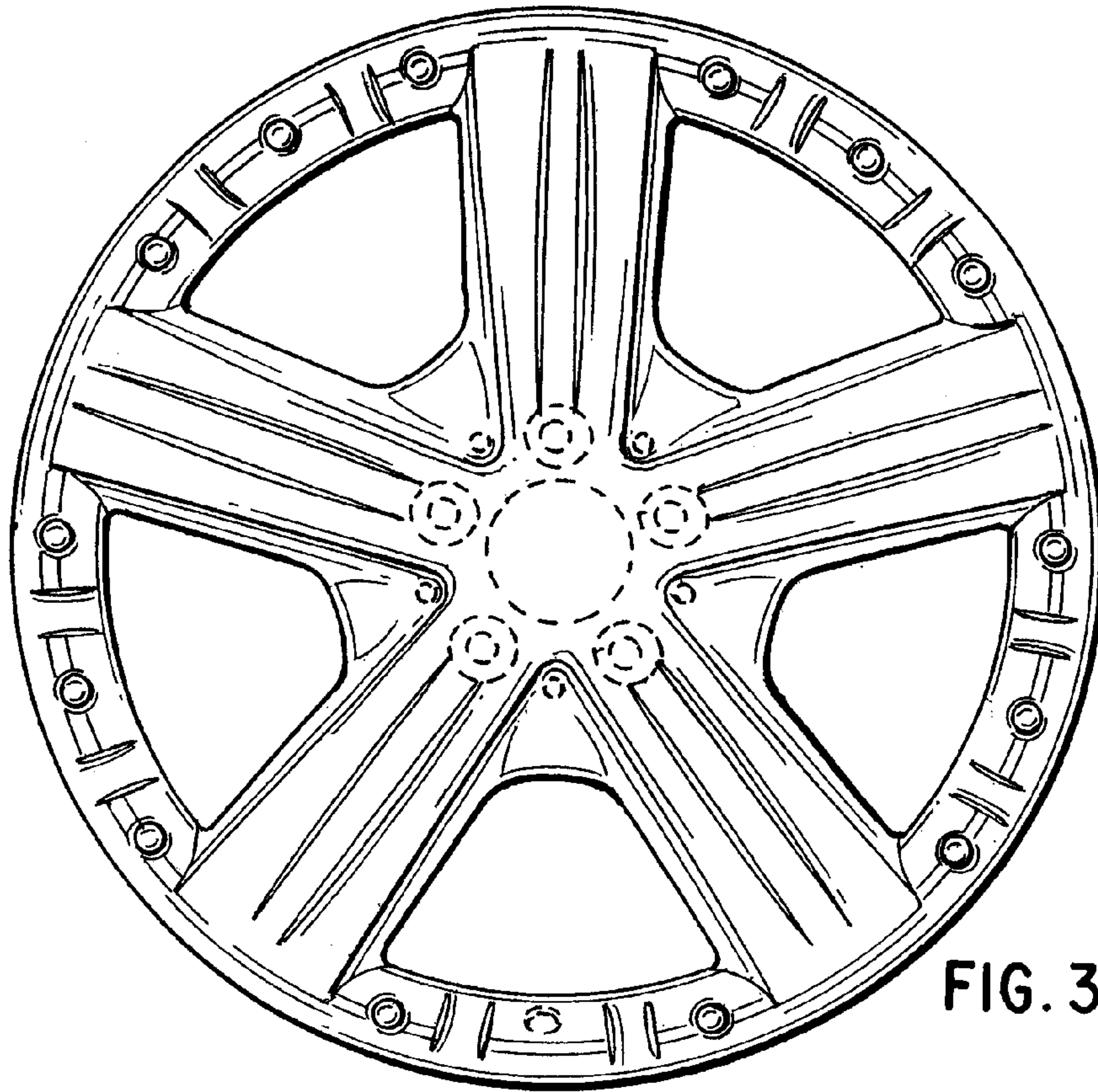


FIG. 3

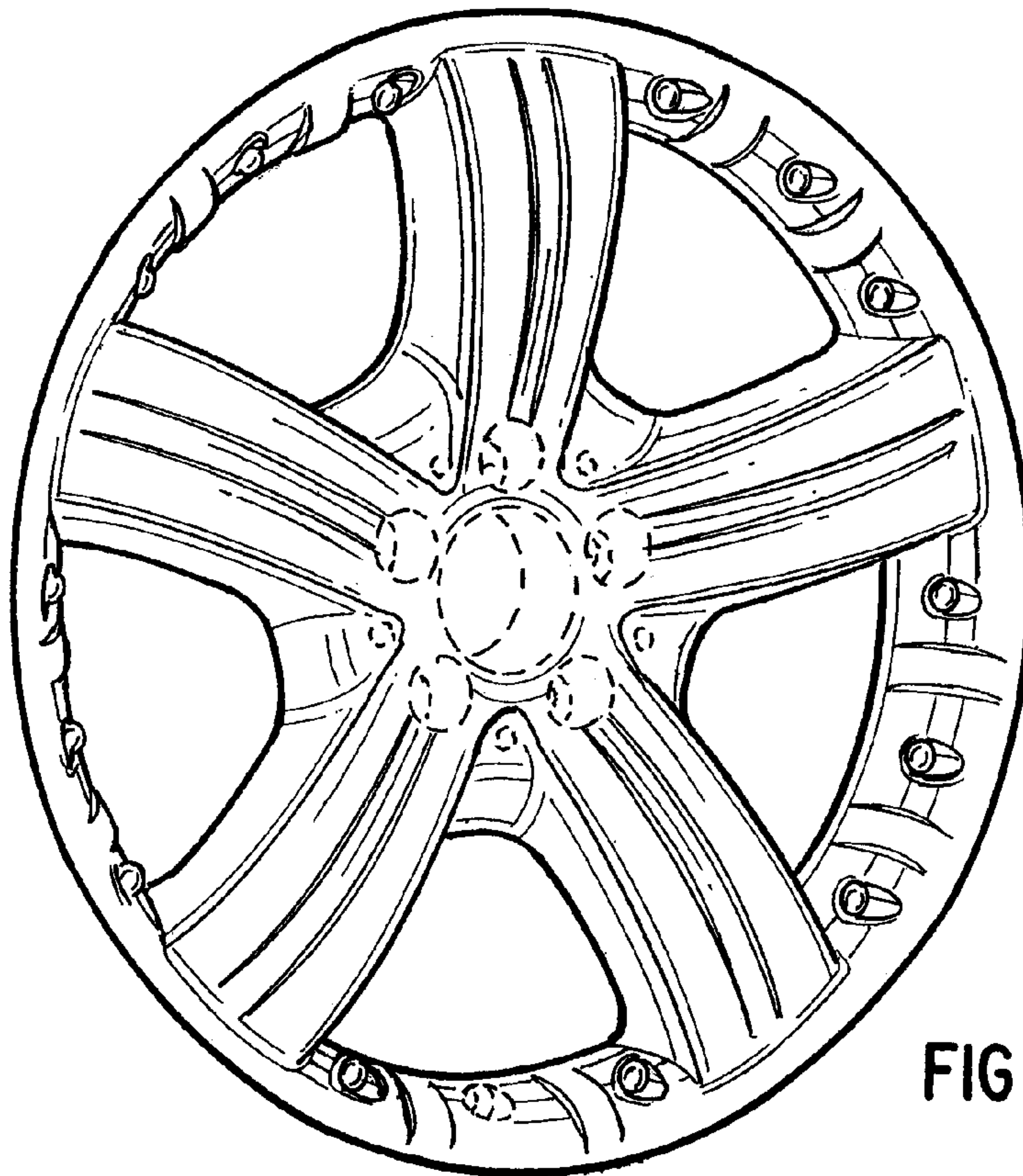


FIG. 4