



US00D525926S

(12) **United States Design Patent**  
**Roth**

(10) **Patent No.:** **US D525,926 S**

(45) **Date of Patent:** **\*\* Aug. 1, 2006**

(54) **MOTORCYCLE GAUGE POD**

(76) Inventor: **Bruce A. Roth**, P.O. Box 1175, Granby, CO (US) 80446

(\*\*) Term: **14 Years**

(21) Appl. No.: **29/223,763**

(22) Filed: **Feb. 18, 2005**

(51) **LOC (8) Cl.** ..... **12-16**

(52) **U.S. Cl.** ..... **D12/192**

(58) **Field of Classification Search** ..... D12/110,  
D12/114, 126, 190, 192; D10/98, 102, 122-126;  
180/90, 219; 280/281.1, 288.1-288.4, 304.3;  
73/431, 493, 489, 866.3; 235/95 R; 116/62.1,  
116/62.4, 300, 280; 296/70

See application file for complete search history.

(56) **References Cited**

**U.S. PATENT DOCUMENTS**

- D401,201 S \* 11/1998 Saleen ..... D12/192
- D436,898 S \* 1/2001 Okada ..... D12/114
- D461,437 S \* 8/2002 Hofmann et al. .... D12/192

\* cited by examiner

*Primary Examiner*—Alan P. Douglas

*Assistant Examiner*—Linda Brooks

(74) *Attorney, Agent, or Firm*—Cochran Freund & Young LLP; Paul M. Thompson

(57) **CLAIM**

The ornamental design for a motorcycle gauge pod, as shown and described.

**DESCRIPTION**

FIG. 1 is an isometric view of a motorcycle gauge pod showing my new design.

FIG. 2 is a front plan view thereof.

FIG. 3 is a right side plan view thereof.

FIG. 4 is a left side plan view thereof.

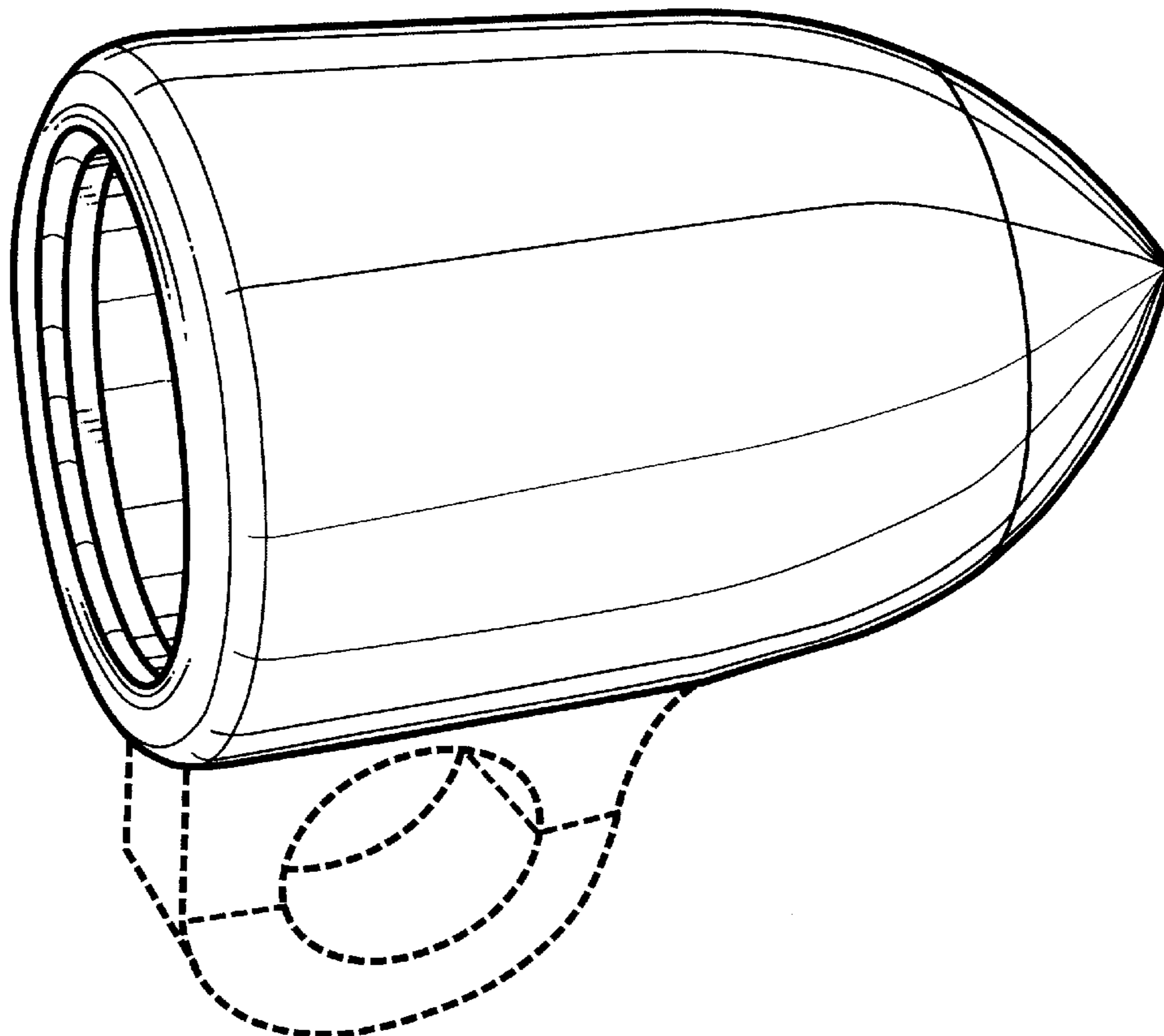
FIG. 5 is a top plan view thereof.

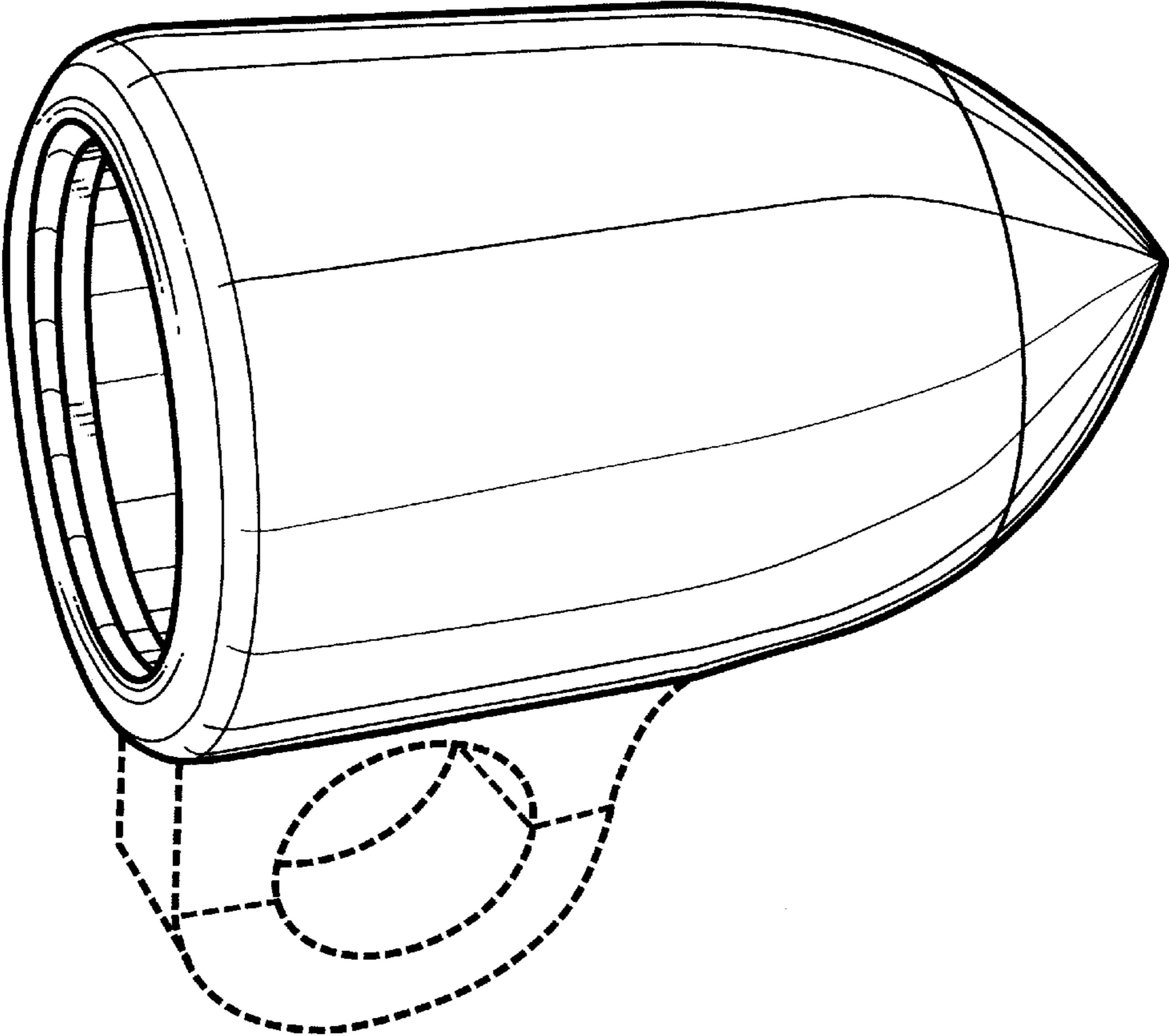
FIG. 6 is a bottom plan view thereof; and,

FIG. 7 is a rear plan view thereof.

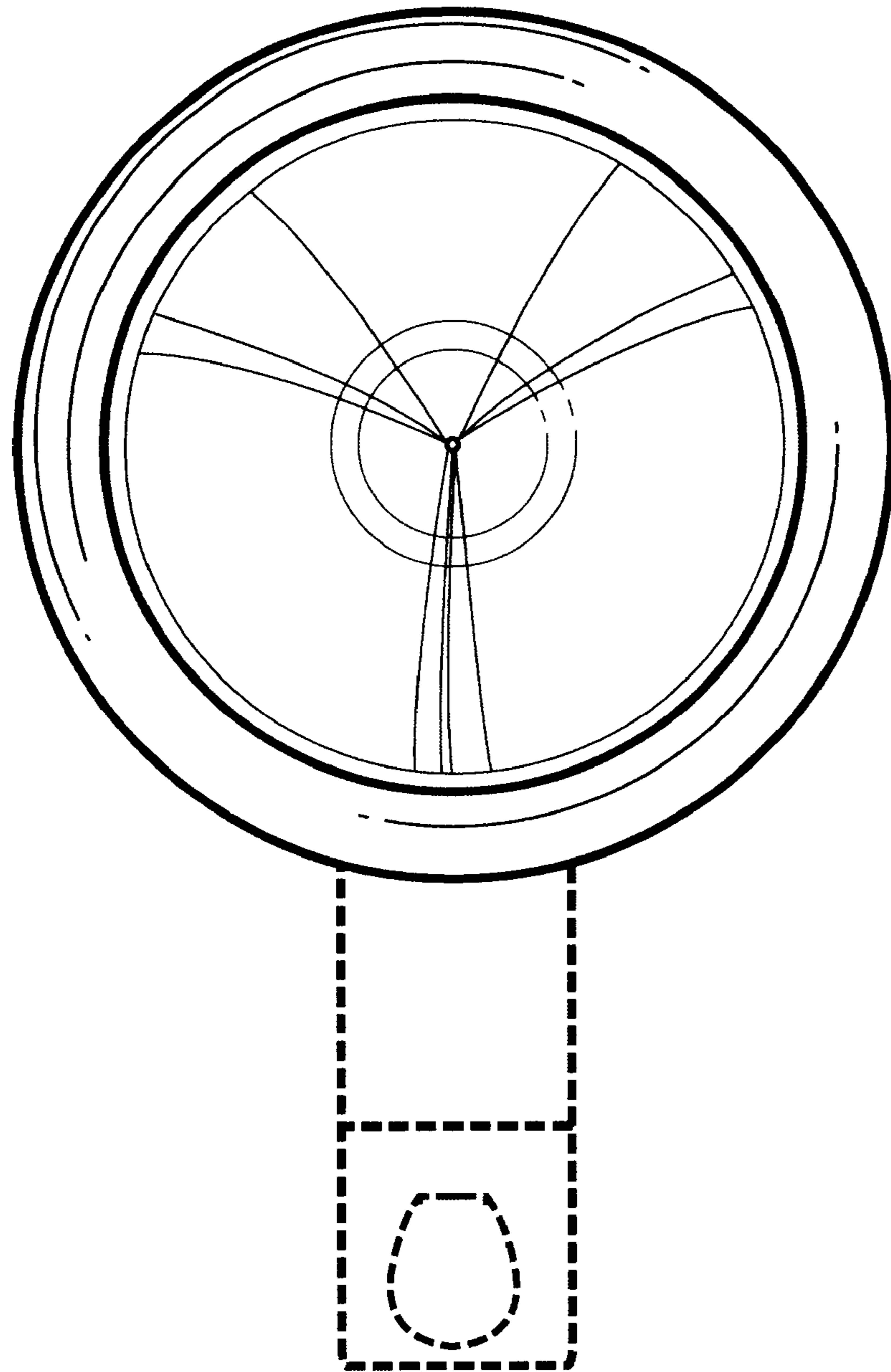
The broken lines immediately adjacent to the shaded areas represent the boundaries of the claimed design and form no part thereof, while the other broken lines show environment and form no part of the claimed design.

**1 Claim, 7 Drawing Sheets**

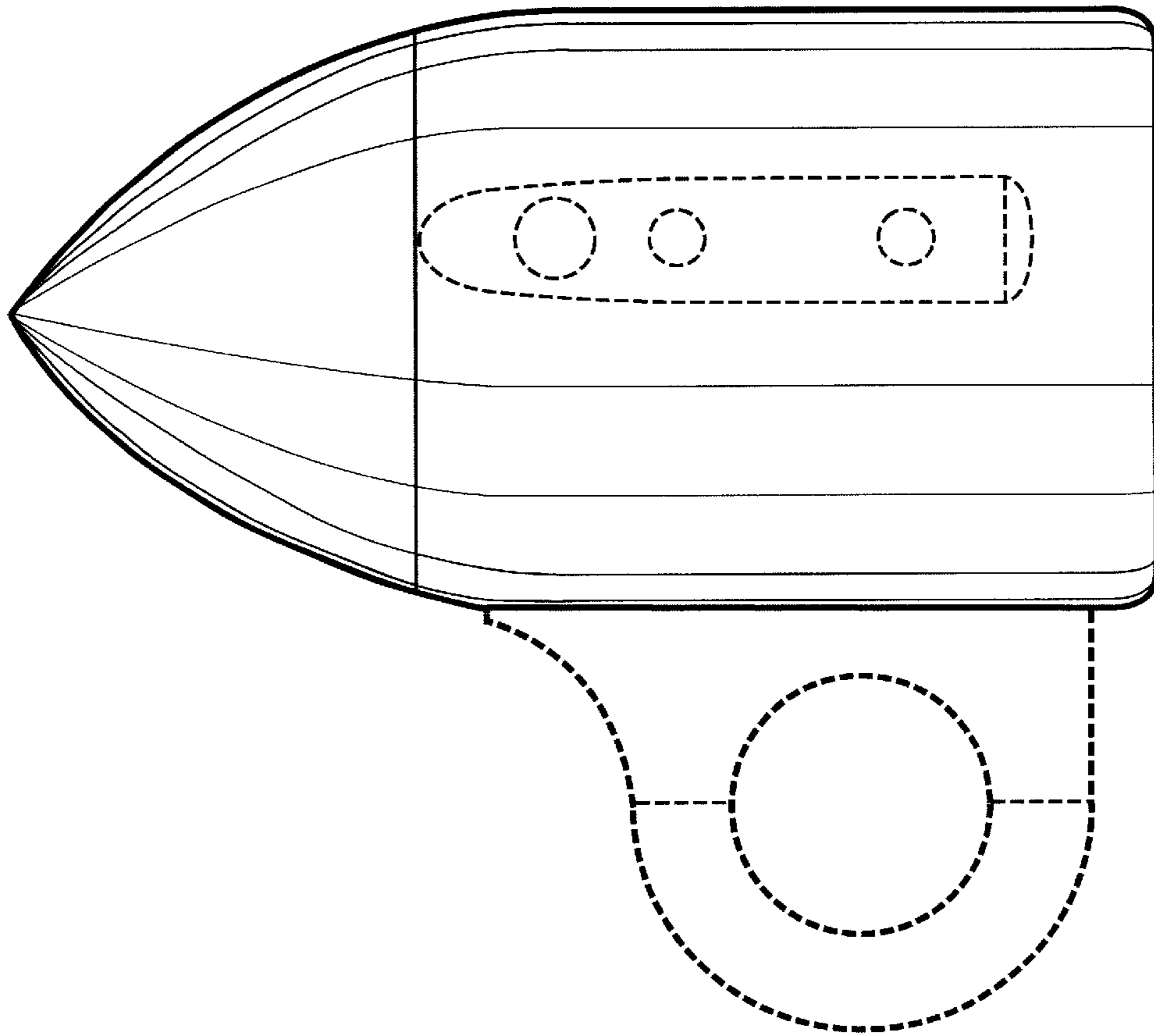




**FIGURE 1**



**FIGURE 2**



**FIGURE 3**

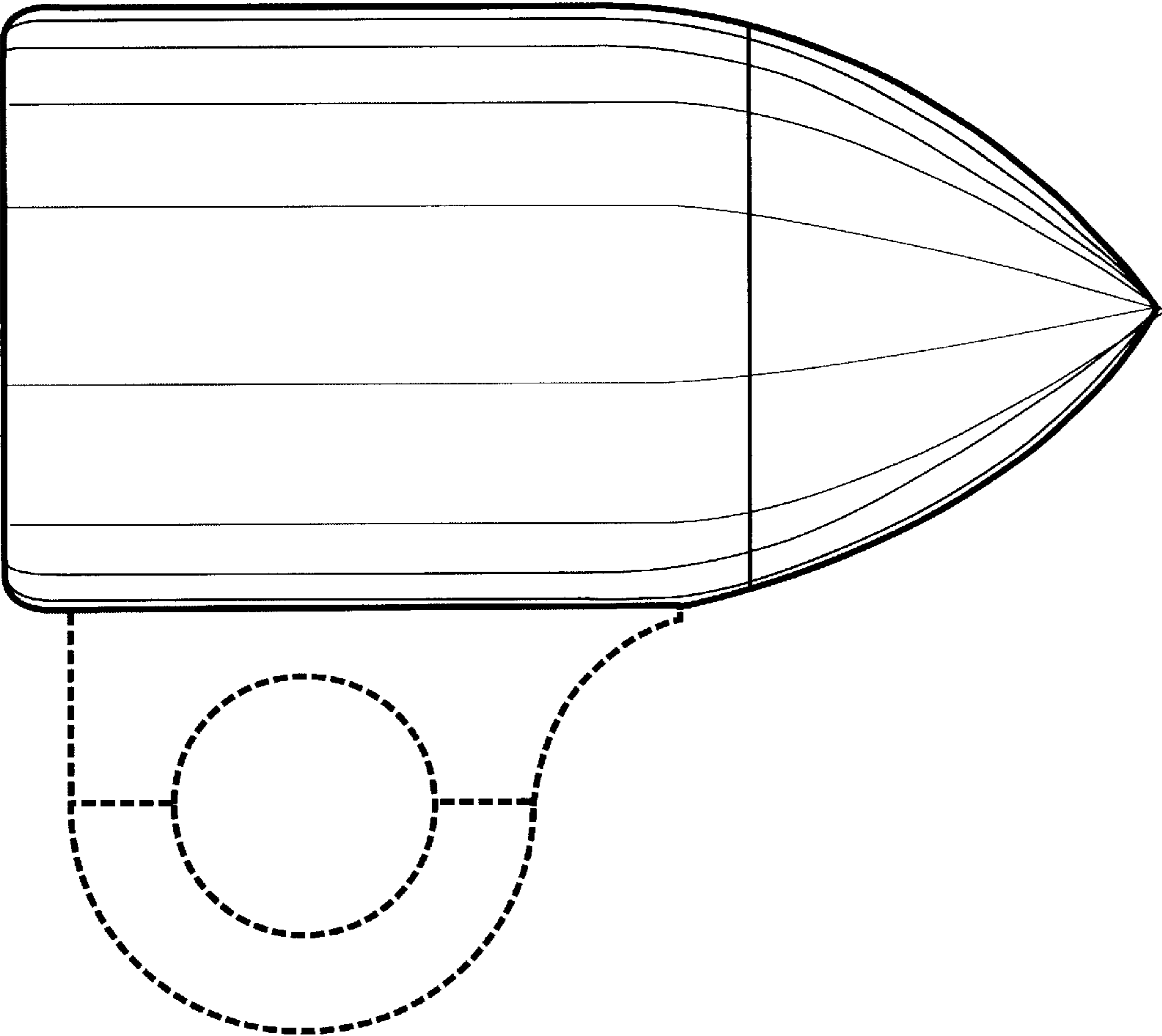
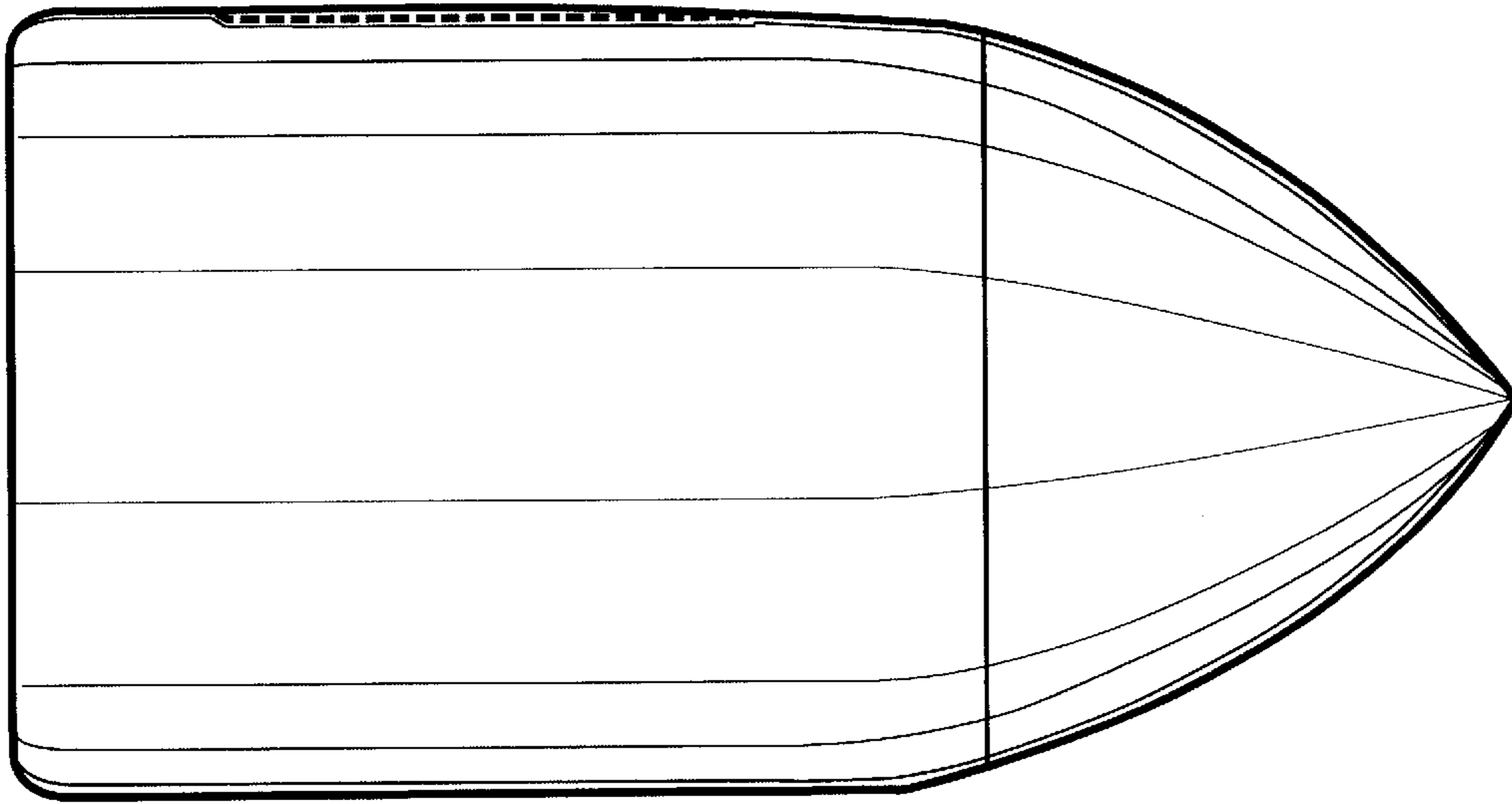
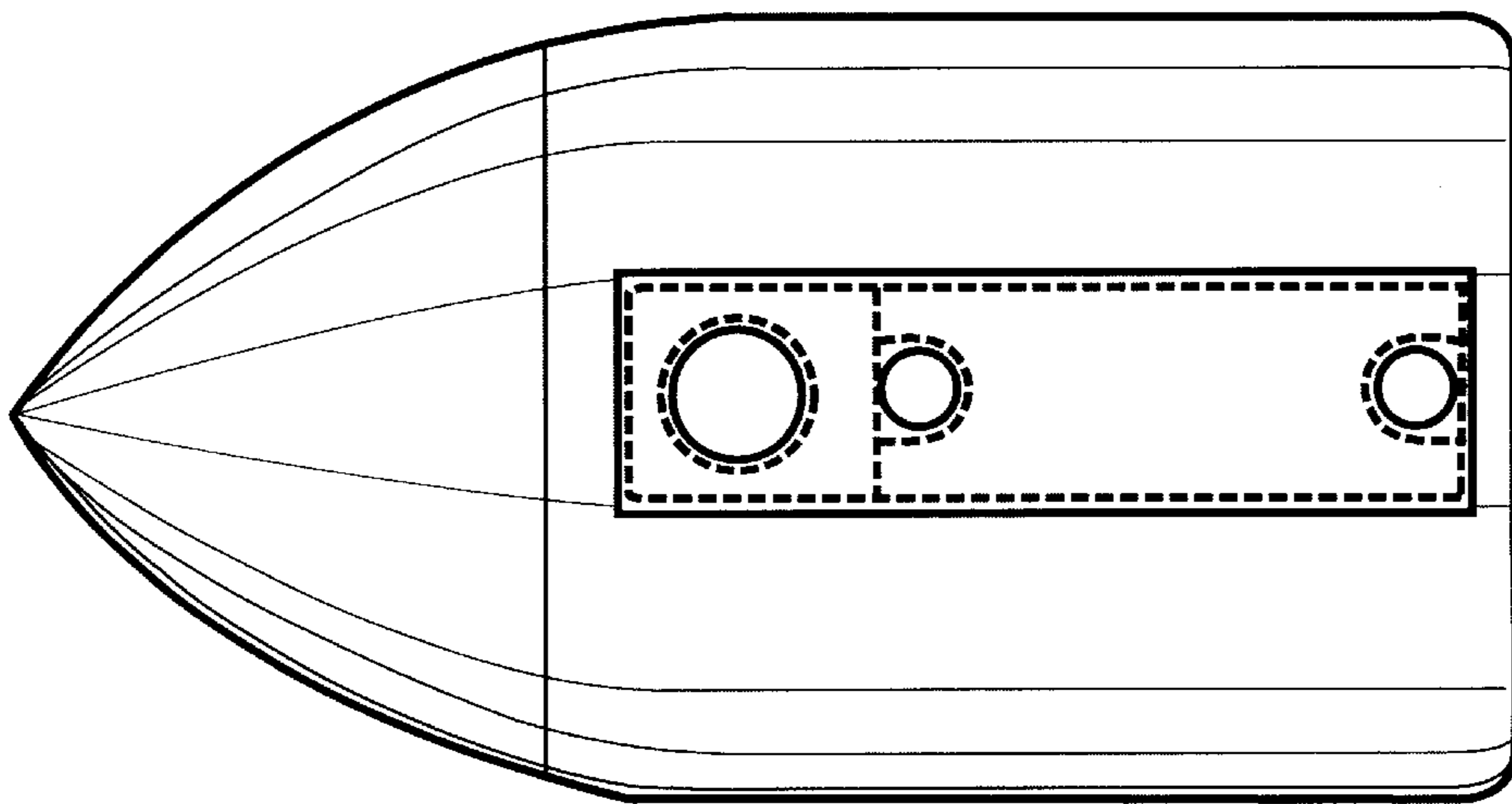


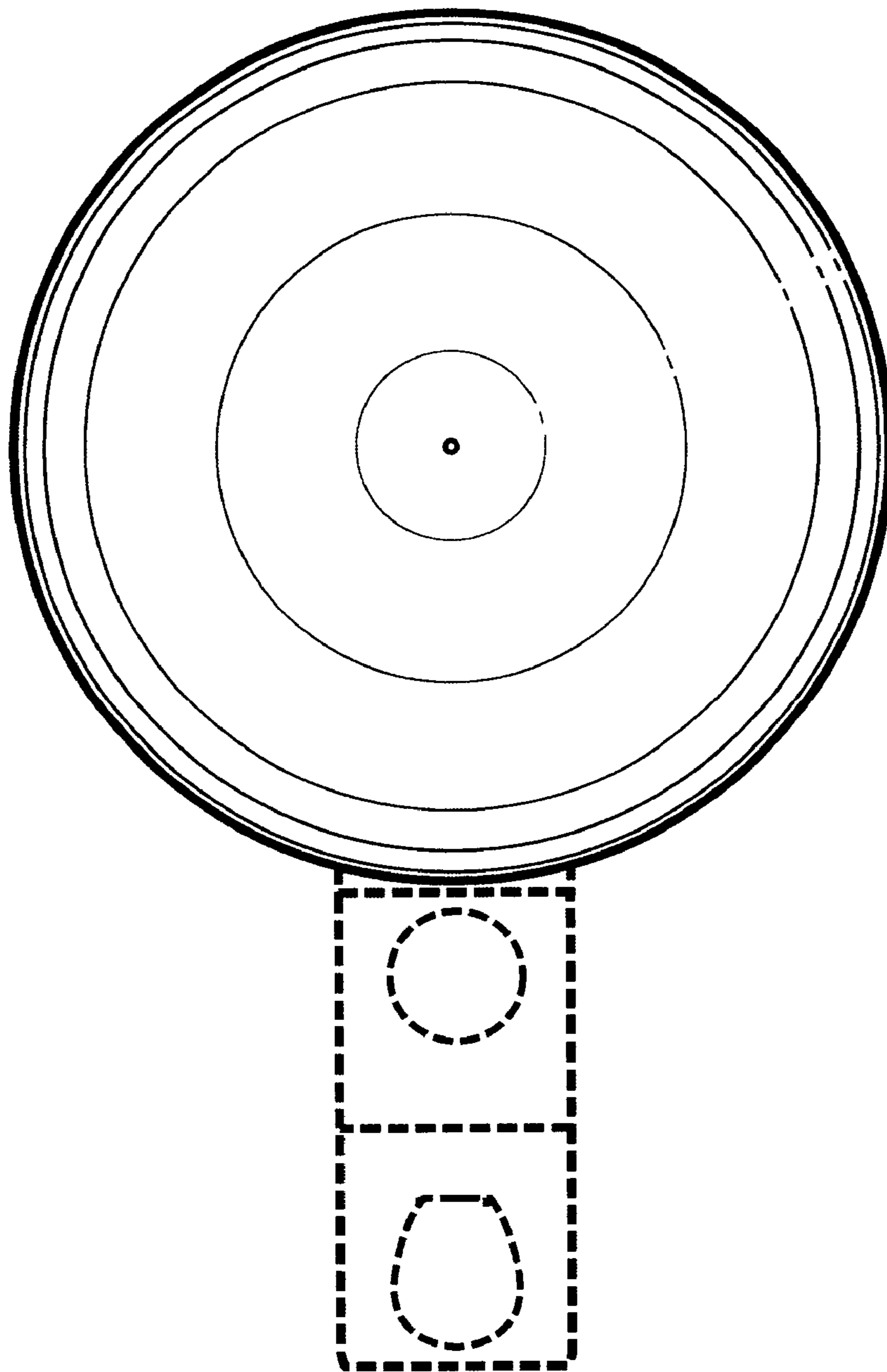
FIGURE 4



**FIGURE 5**



**FIGURE 6**



**FIGURE 7**