



US00D525924S

(12) **United States Design Patent**  
**MacKarvich**

(10) **Patent No.:** **US D525,924 S**

(45) **Date of Patent:** **\*\* Aug. 1, 2006**

(54) **TRAILER FENDER**

(76) Inventor: **Charles J. MacKarvich**, 5901 Wheaton Dr., Atlanta, GA (US) 30336

(\*\*) Term: **14 Years**

(21) Appl. No.: **29/222,908**

(22) Filed: **Feb. 3, 2005**

(51) **LOC (8) Cl.** ..... **12-16**

(52) **U.S. Cl.** ..... **D12/184; D12/106**

(58) **Field of Classification Search** ..... D12/184,  
D12/106, 101, 102; 280/414.1-414.3, 847-849  
See application file for complete search history.

(56) **References Cited**

**U.S. PATENT DOCUMENTS**

4,138,129 A	*	2/1979	Morris	.....	280/847
D385,512 S		10/1997	Nielsen, III	.....	D12/106
D386,130 S	*	11/1997	Nielsen, III	.....	D12/106
D387,016 S	*	12/1997	Nielsen, III	.....	D12/106
D400,825 S	*	11/1998	Laivins et al.	.....	D12/106

D403,639 S	*	1/1999	Gale et al.	.....	D12/184
D433,352 S	*	11/2000	Boyd	.....	D12/106

\* cited by examiner

*Primary Examiner*—Melody N. Brown  
(74) *Attorney, Agent, or Firm*—Thomas, Kayden, Horstemeyer & Risley, LLP

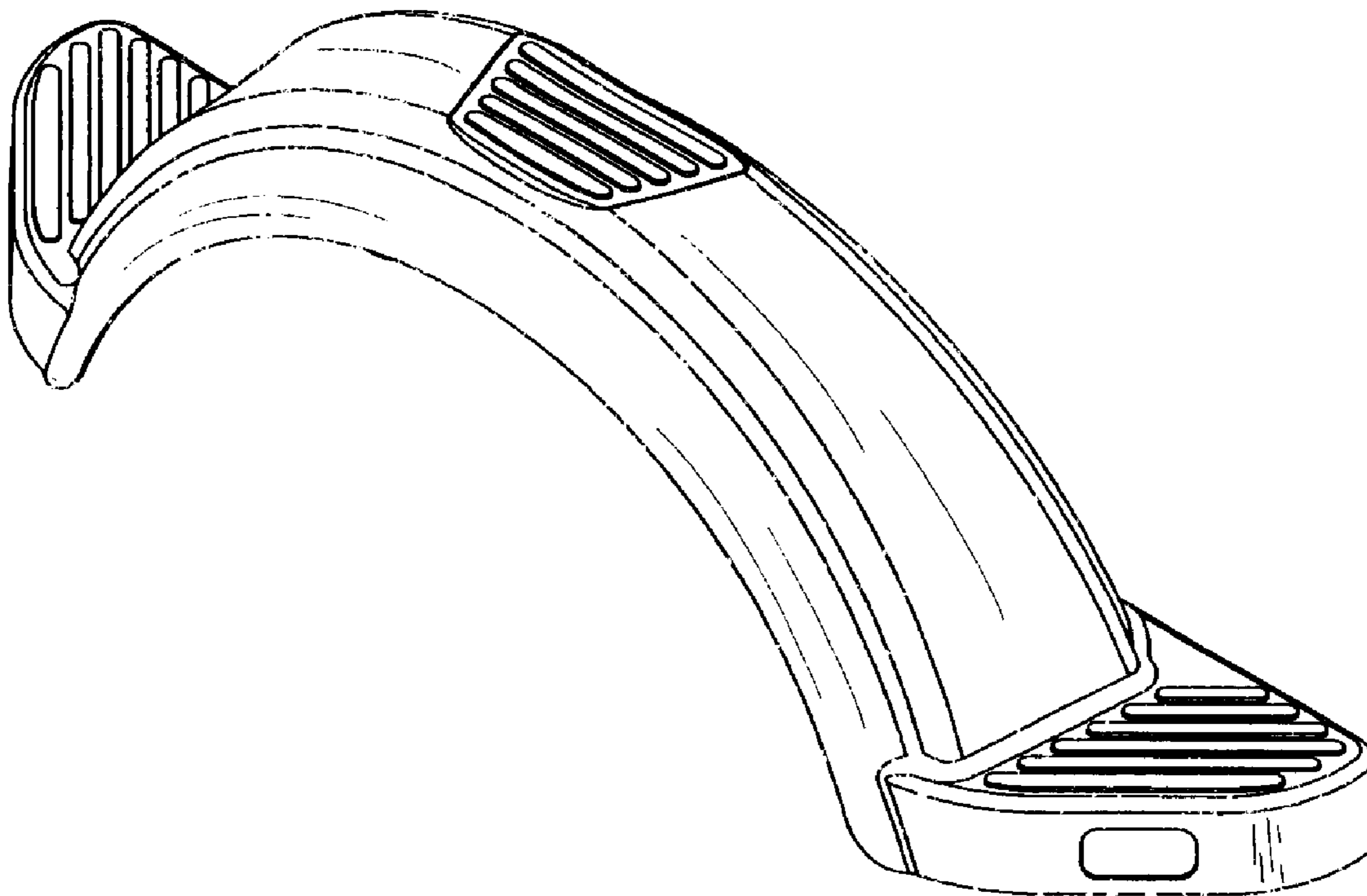
(57) **CLAIM**

The ornamental design of a trailer fender, as shown and described.

**DESCRIPTION**

FIG. 1 is a perspective view of the trailer fender, showing my new design thereof;  
FIG. 2 is a top view thereof;  
FIG. 3 is a bottom view thereof;  
FIG. 4 is a side view thereof;  
FIG. 5 is an opposite side view thereof;  
FIG. 6 is a front view thereof; and,  
FIG. 7 is a rear view thereof.

**1 Claim, 2 Drawing Sheets**



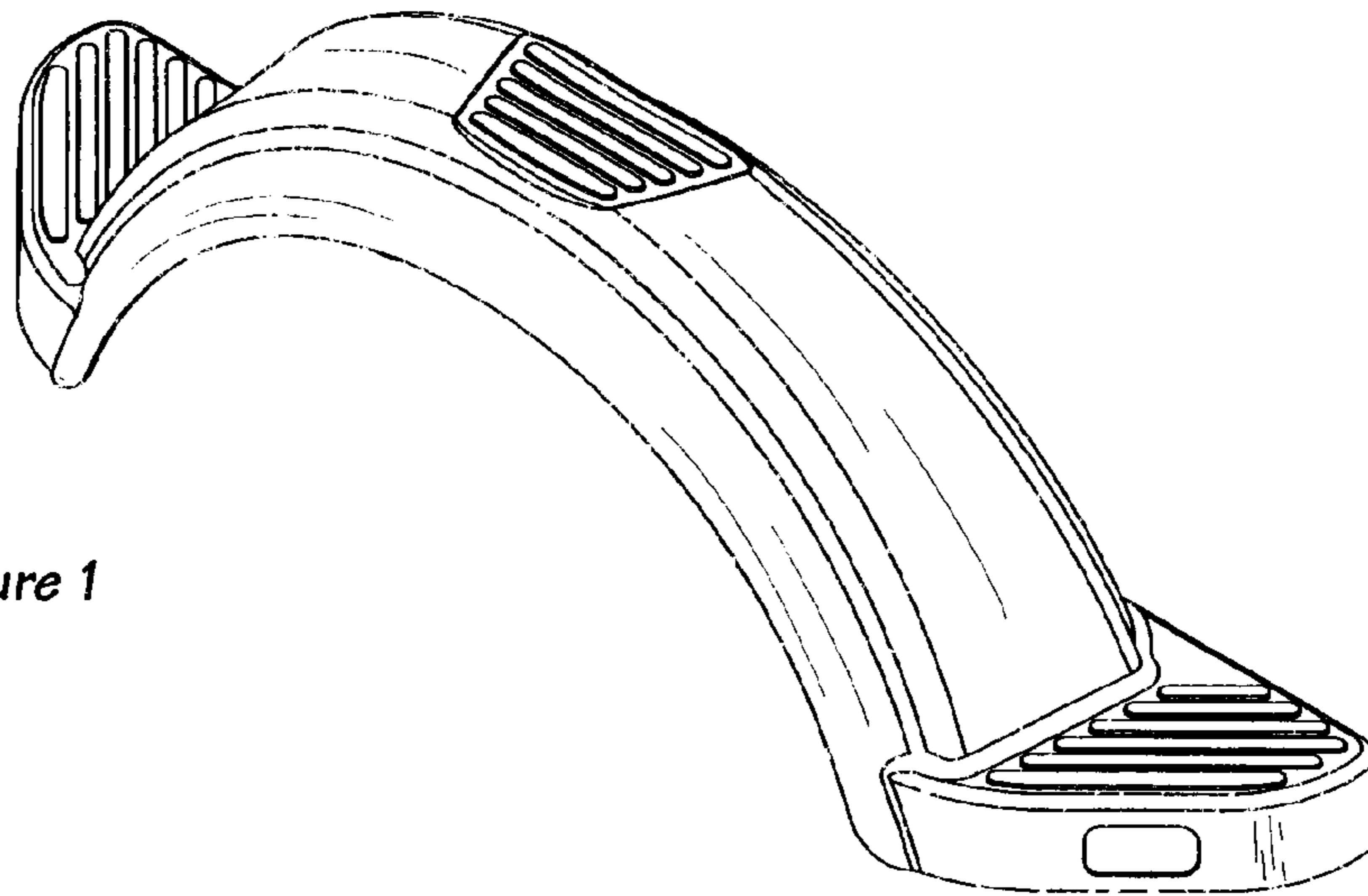


Figure 1

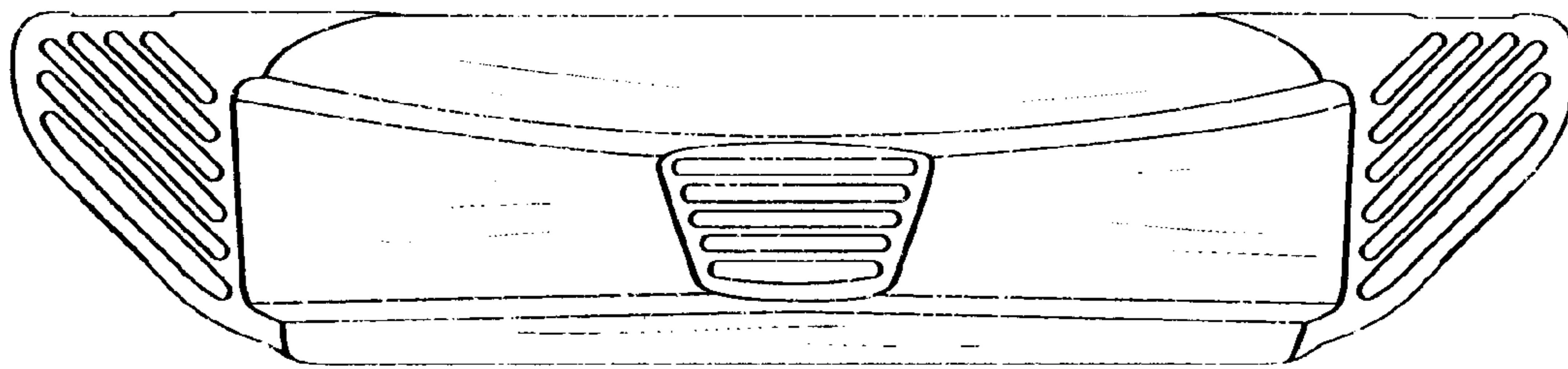


Figure 2

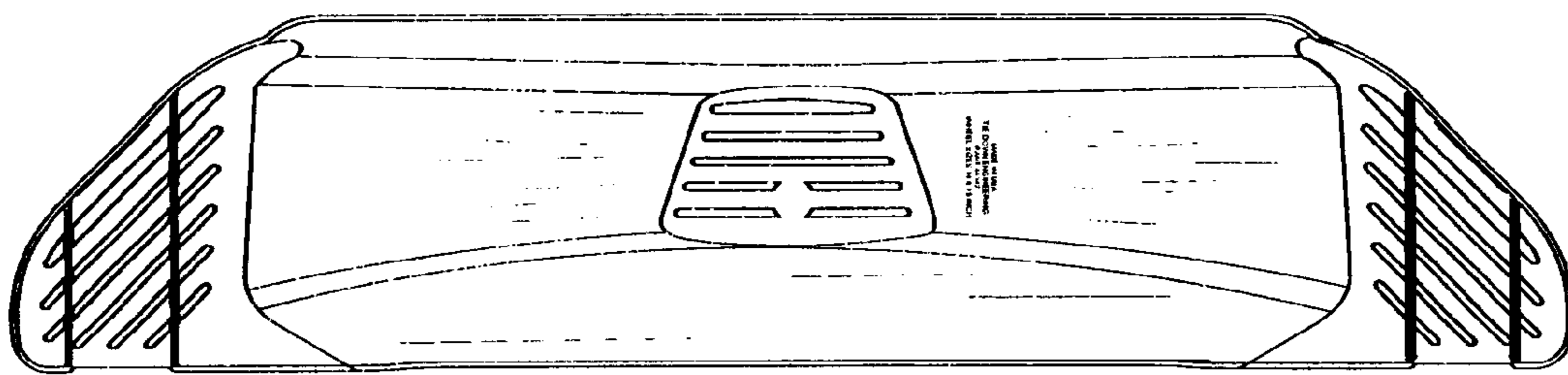


Figure 3

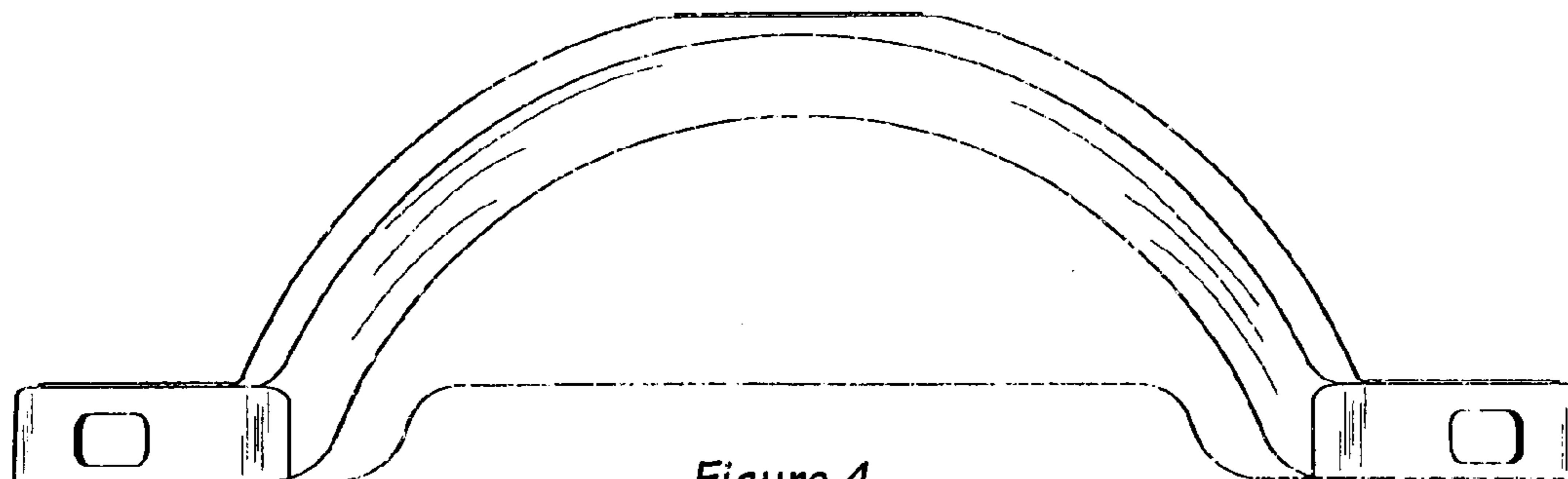


Figure 4

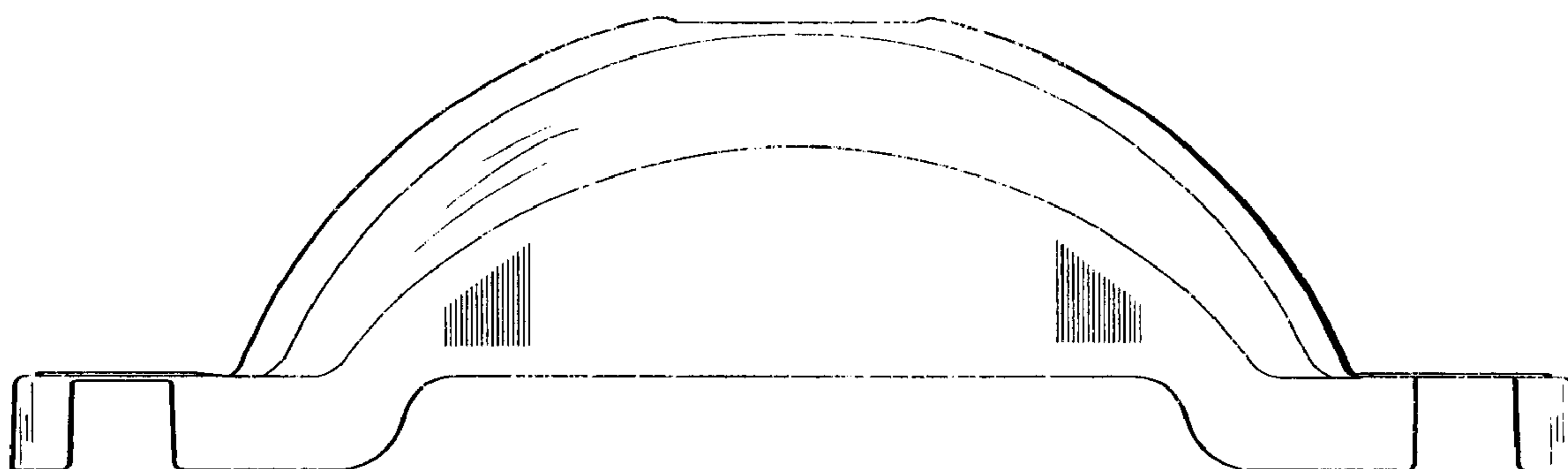


Figure 5

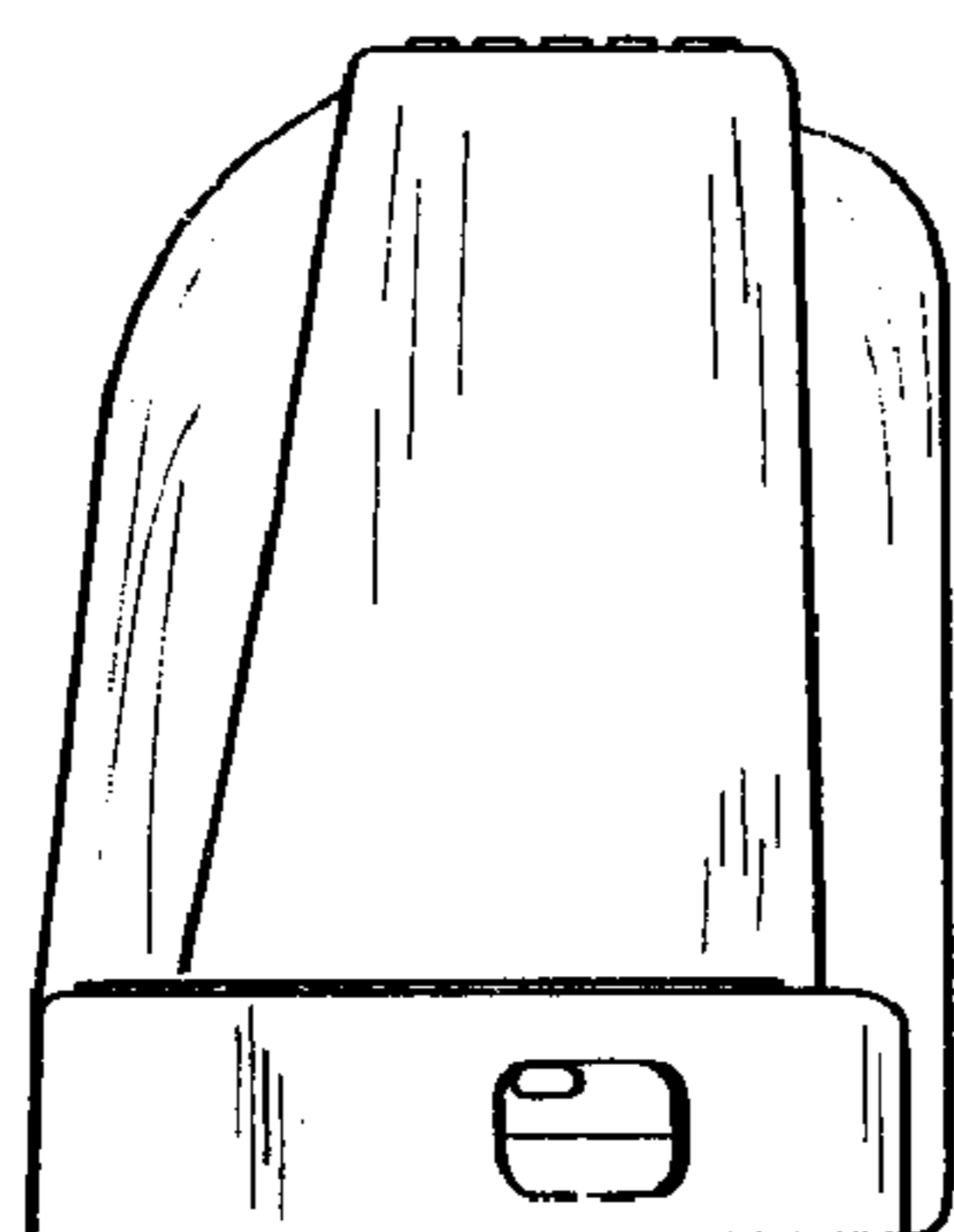


Figure 6

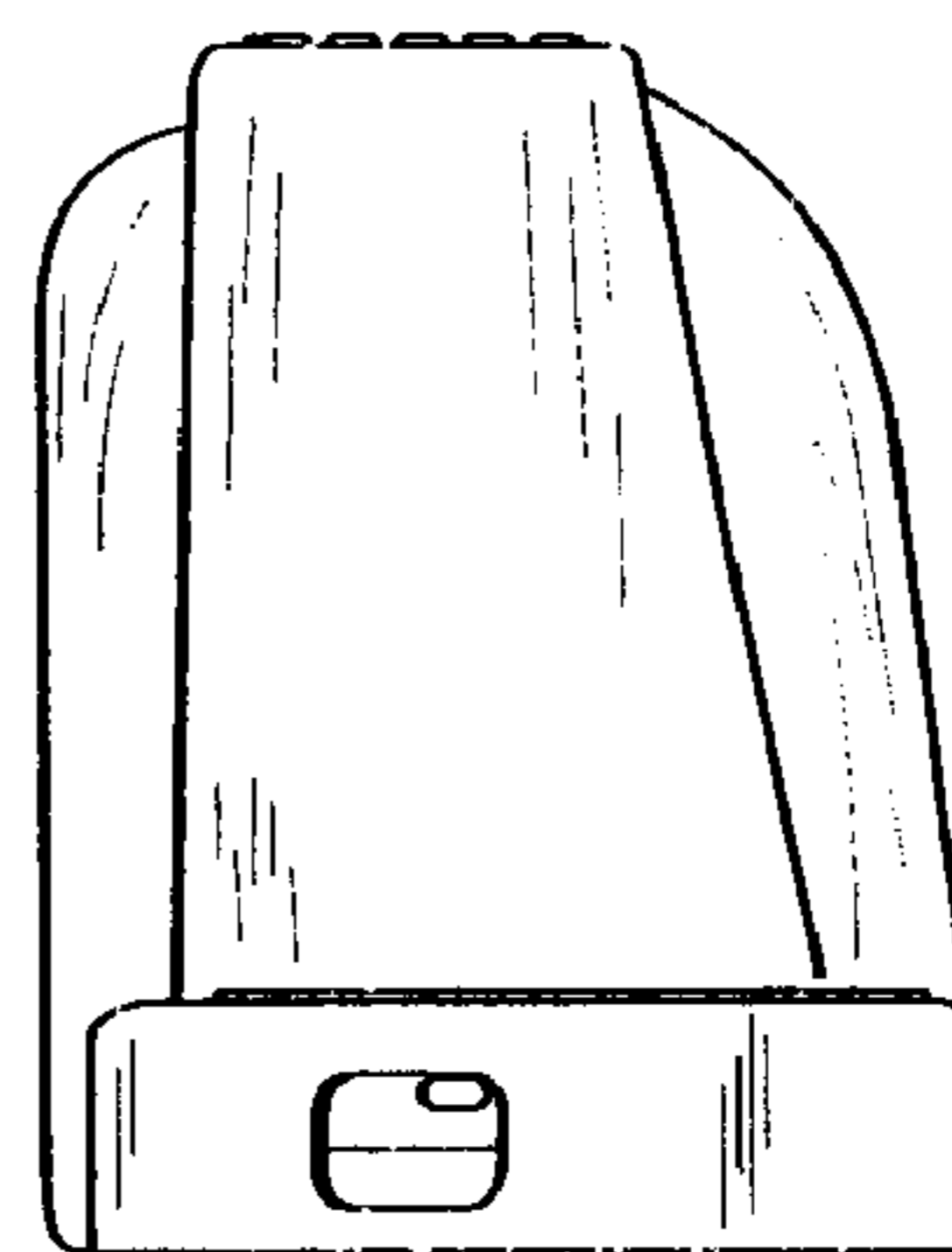


Figure 7