



US00D525922S

(12) **United States Design Patent**
Taguchi et al.

(10) **Patent No.:** **US D525,922 S**

(45) **Date of Patent:** **** Aug. 1, 2006**

(54) **BUMPER FOR VEHICLE**

(75) Inventors: **Masato Taguchi**, Atsugi (JP); **Yasushi Asano**, Hiratsuka (JP)

(73) Assignee: **Nissan Motor Co., Ltd.**, Yokohama (JP)

(**) Term: **14 Years**

(21) Appl. No.: **29/235,221**

(22) Filed: **Jul. 29, 2005**

(30) **Foreign Application Priority Data**

Feb. 3, 2005 (JP) 2005-002796

(51) **LOC (8) Cl.** **12-16**

(52) **U.S. Cl.** **D12/169**

(58) **Field of Classification Search** D12/90-92,
D12/86, 169, 196, 163; 296/180.1, 180.2;
293/102, 113, 115, 117, 120

See application file for complete search history.

(56) **References Cited**

U.S. PATENT DOCUMENTS

D435,814 S * 1/2001 Gabath D12/169

D436,067 S * 1/2001 Okano et al. D12/169
D497,580 S * 10/2004 Aikawa D12/169
D498,716 S * 11/2004 Maeda et al. D12/169
D501,162 S * 1/2005 Mays et al. D12/169
D511,724 S * 11/2005 Sugimoto D12/169
D513,213 S * 12/2005 Sato D12/169
D515,990 S * 2/2006 Nakamura D12/169

* cited by examiner

Primary Examiner—Melody N. Brown

(74) *Attorney, Agent, or Firm*—Foley & Lardner LLP

(57) **CLAIM**

The ornamental design for a bumper for vehicle, as shown and described.

DESCRIPTION

FIG. 1 is a perspective view of a bumper for vehicle;
FIG. 2 is a front view thereof;
FIG. 3 is a rear view thereof;
FIG. 4 is a top plan view thereof;
FIG. 5 is a bottom view thereof; and,
FIG. 6 is a left side view thereof, a right side view being a mirror view of the left side view.

1 Claim, 3 Drawing Sheets

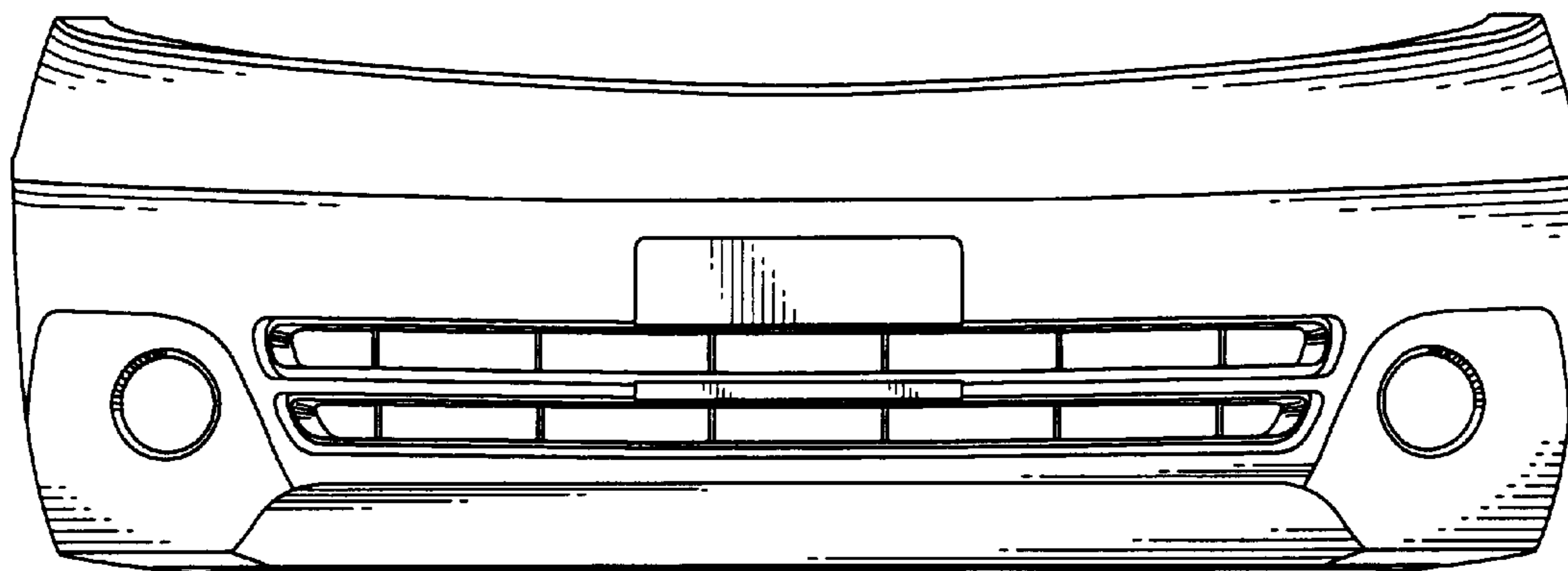


Fig.1

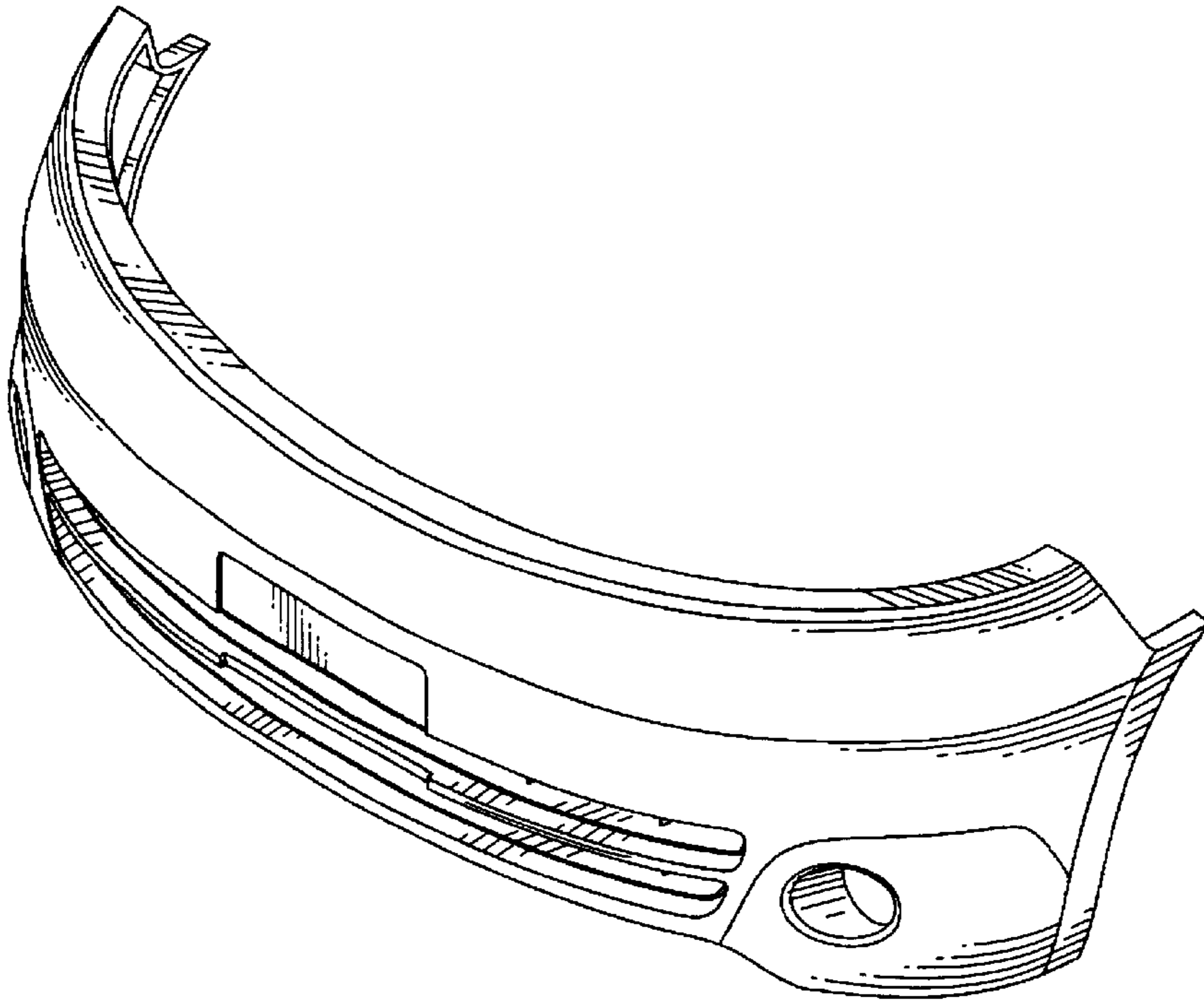


Fig.2

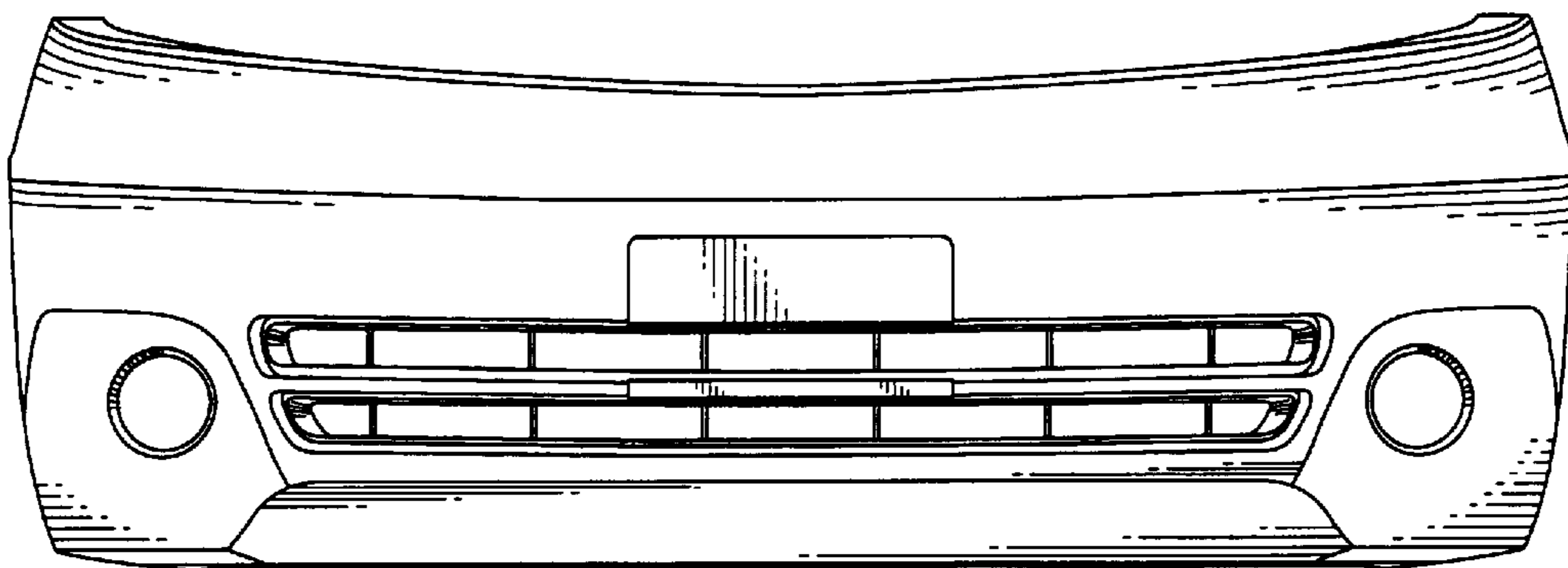


Fig.3

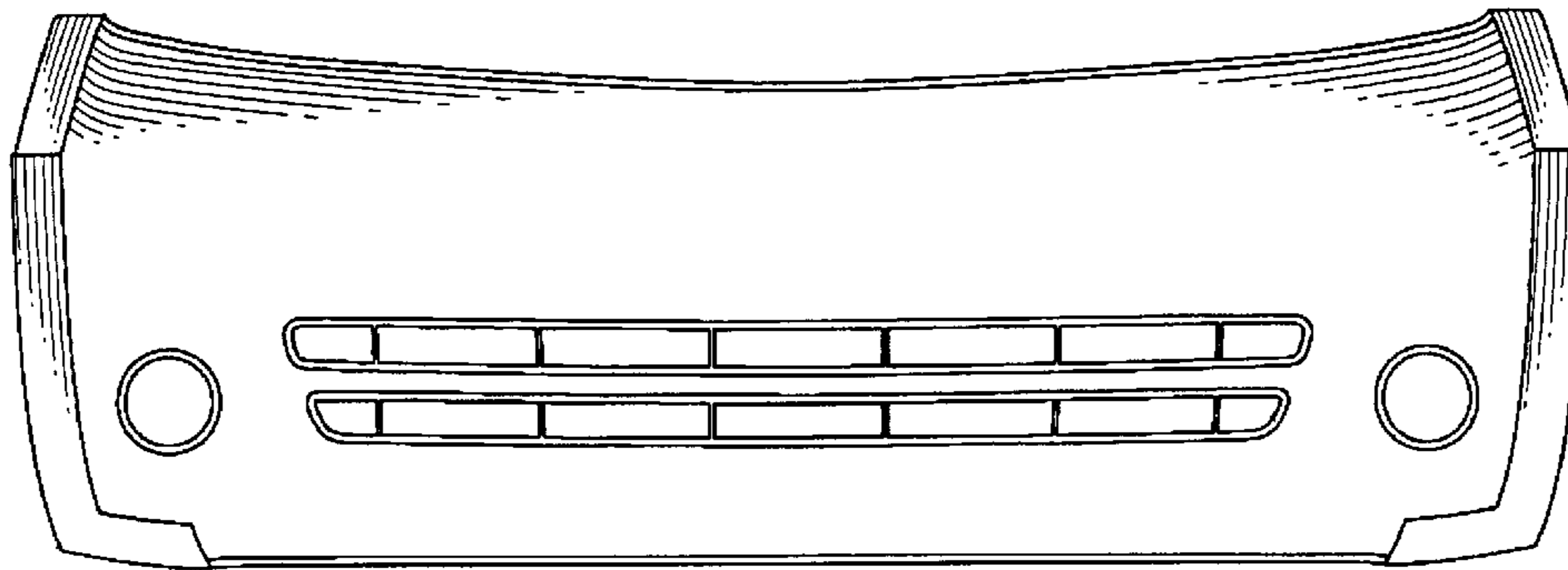


Fig.4

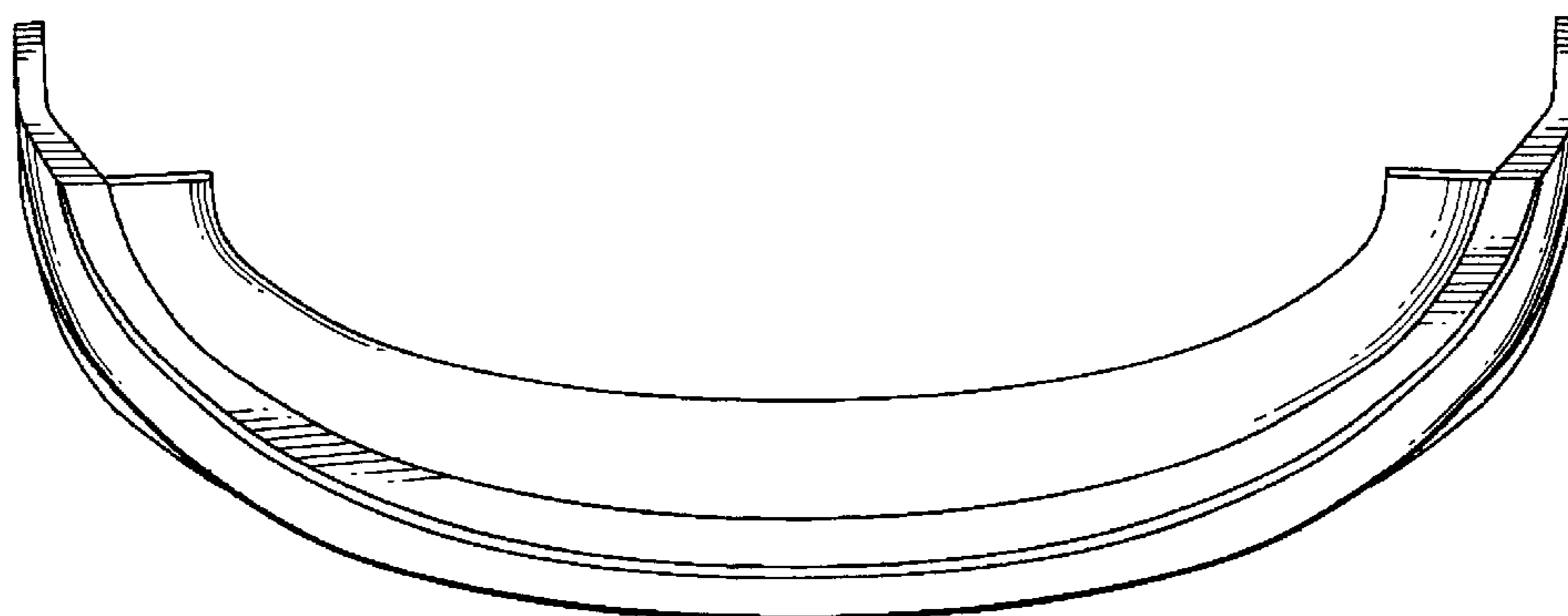


Fig.5

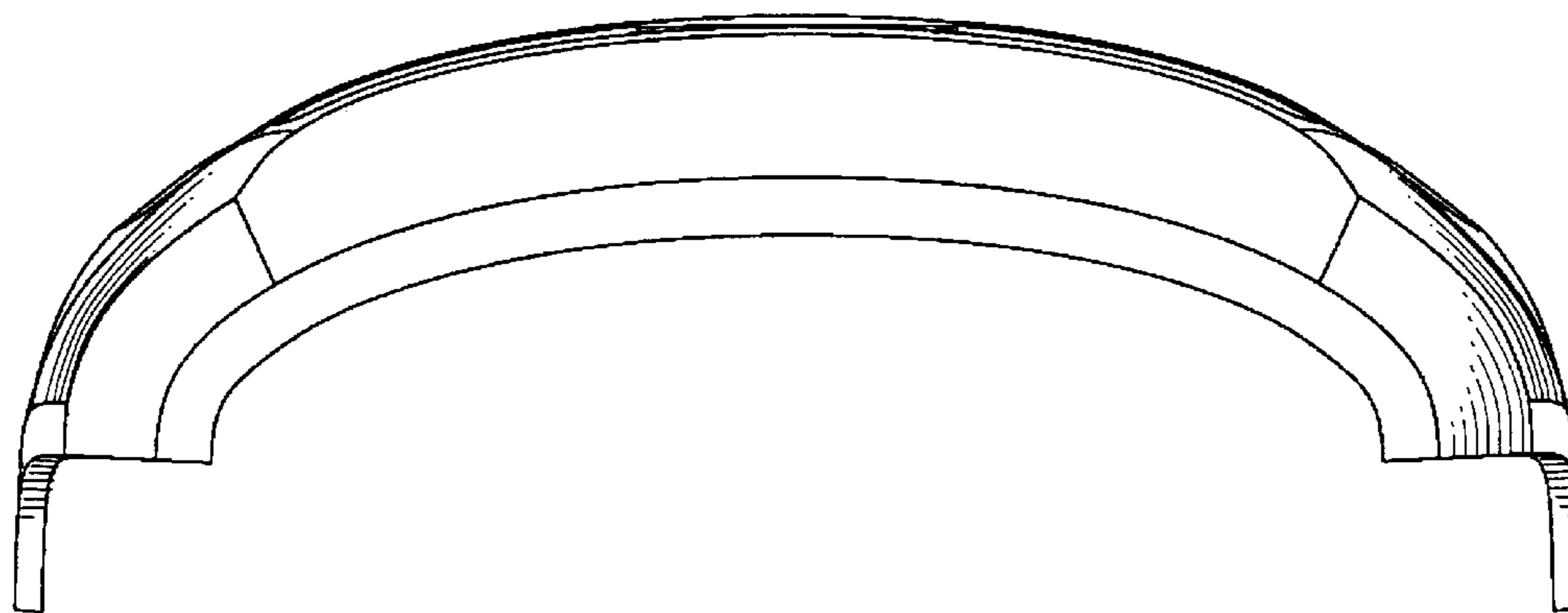


Fig.6

