



US00D525919S

(12) **United States Design Patent**
Sugimoto

(10) **Patent No.:** **US D525,919 S**

(45) **Date of Patent:** **** Aug. 1, 2006**

(54) **MOTORCYCLE**

D439,868 S * 4/2001 Sugimoto D12/110

(75) Inventor: **Hideo Sugimoto**, Hamamatsu (JP)

* cited by examiner

(73) Assignee: **Suzuki Motor Corporation** (JP)

Primary Examiner—Alan P. Douglas

Assistant Examiner—Linda Brooks

(**) Term: **14 Years**

(74) *Attorney, Agent, or Firm*—Foley Hoag LLP

(21) Appl. No.: **29/218,466**

(57) **CLAIM**

(22) Filed: **Dec. 2, 2004**

The ornamental design for a motorcycle, as shown and described.

(30) **Foreign Application Priority Data**

Jun. 2, 2004 (JP) 2004-016341

DESCRIPTION

(51) **LOC (8) Cl.** **12-11**

FIG. 1 is a right side elevational view of a motorcycle showing my new design;

(52) **U.S. Cl.** **D12/110**

FIG. 2 is a left side elevational view thereof;

(58) **Field of Classification Search** D12/110;

FIG. 3 is a front view thereof;

180/219

FIG. 4 is a rear view thereof;

See application file for complete search history.

FIG. 5 is a top view thereof; and,

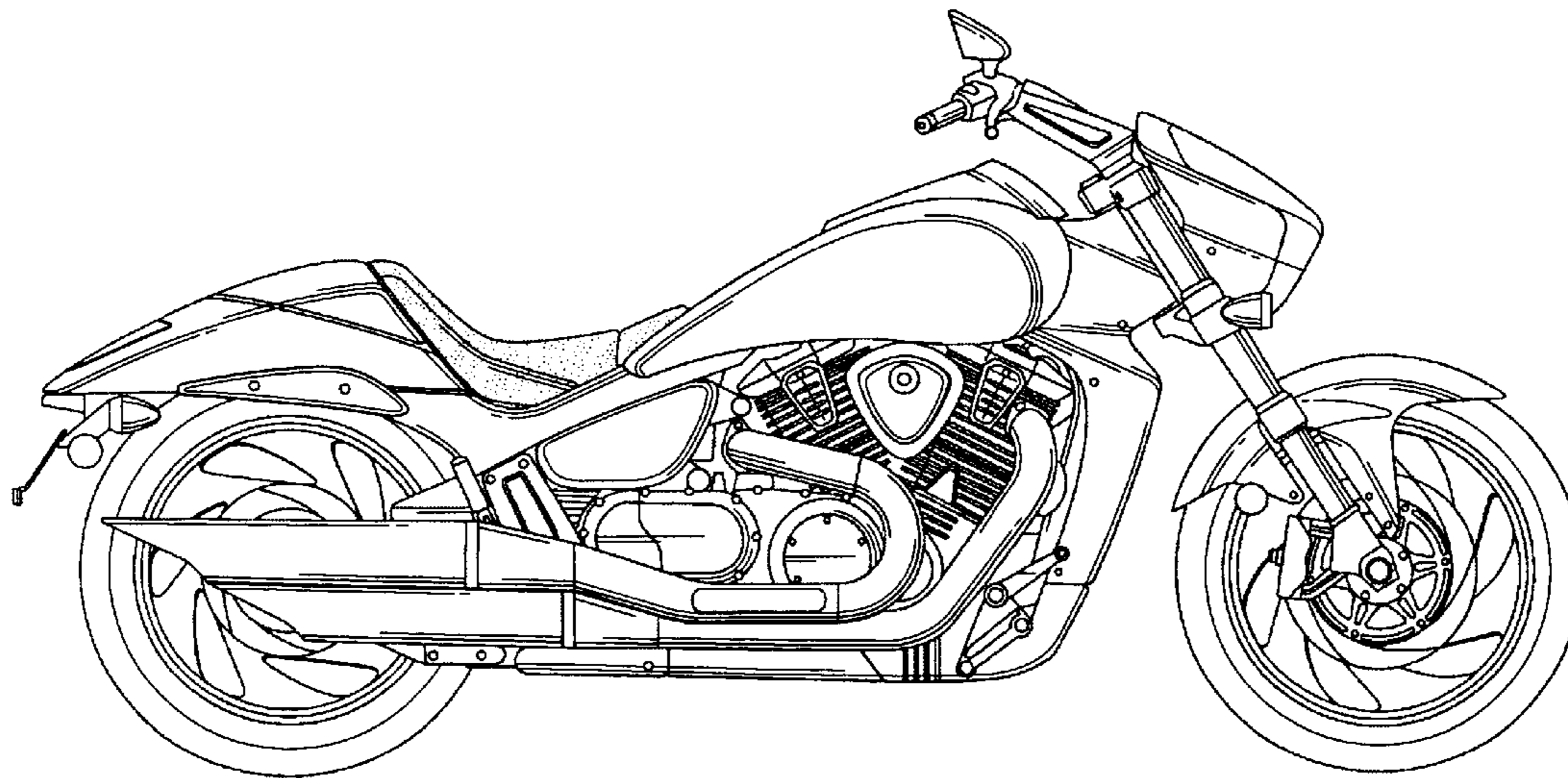
FIG. 6 is a bottom view thereof.

(56) **References Cited**

U.S. PATENT DOCUMENTS

D395,621 S * 6/1998 Nishino D12/110

1 Claim, 6 Drawing Sheets



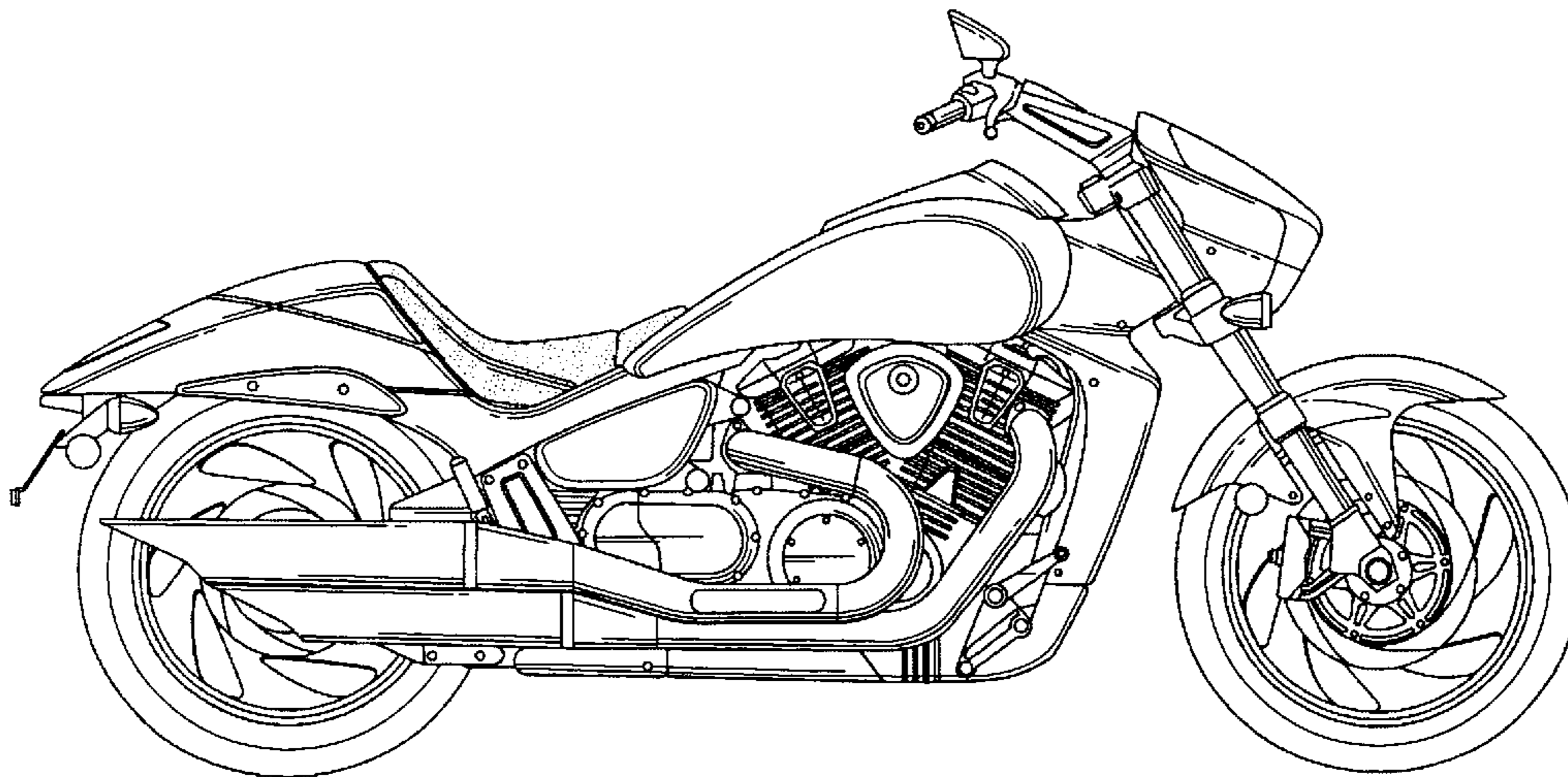


Fig. 1

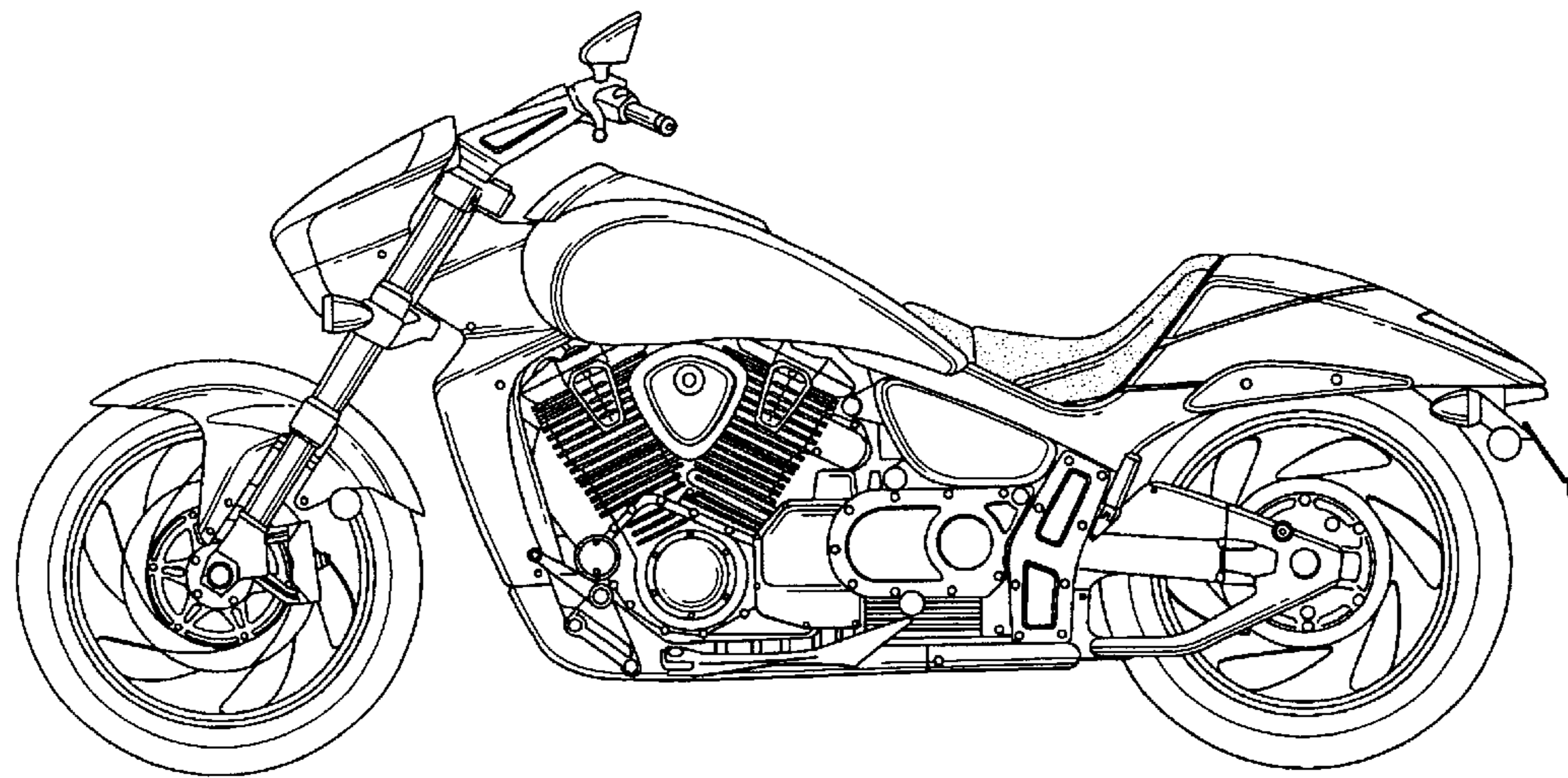


Fig. 2

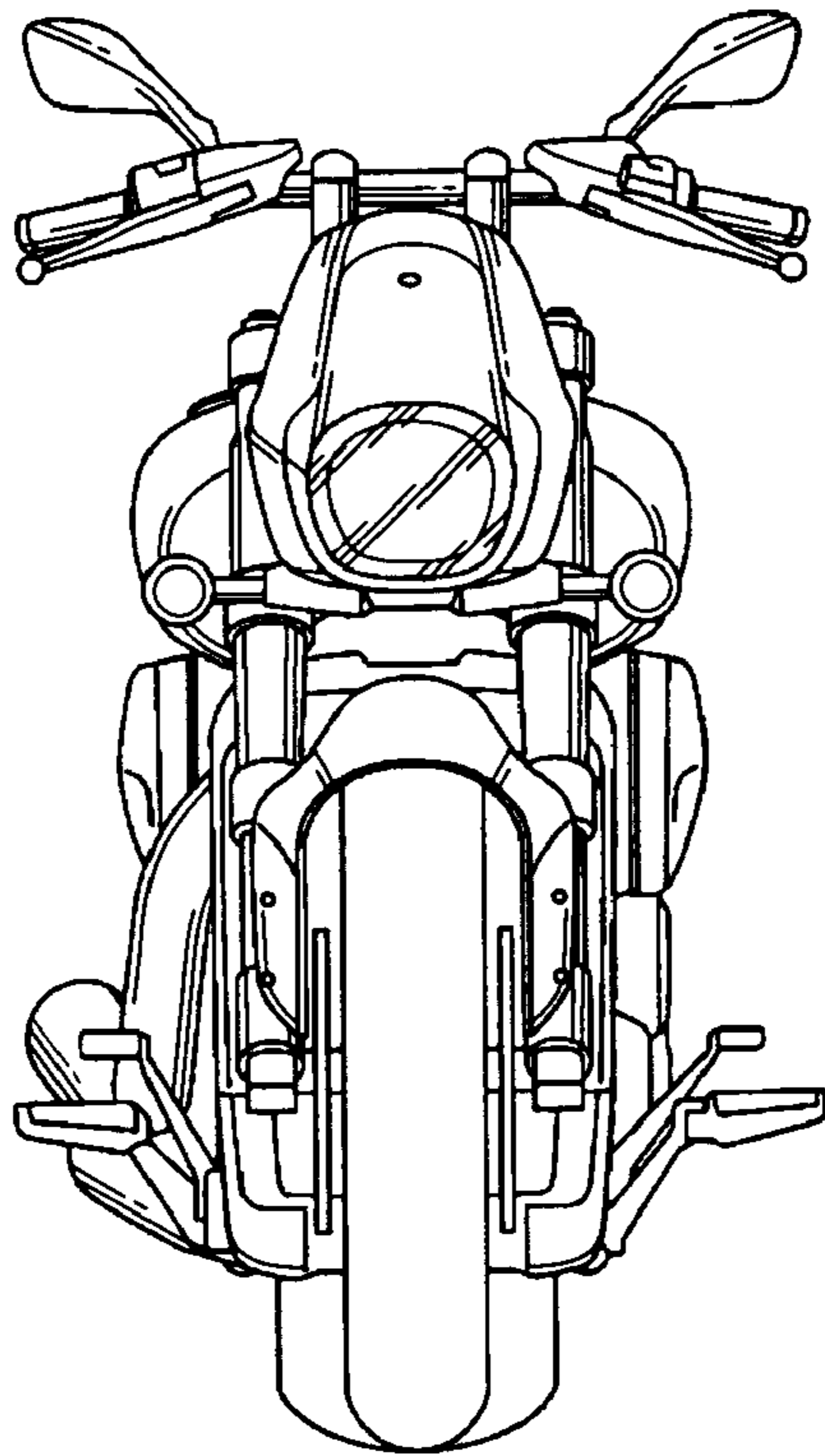


Fig. 3

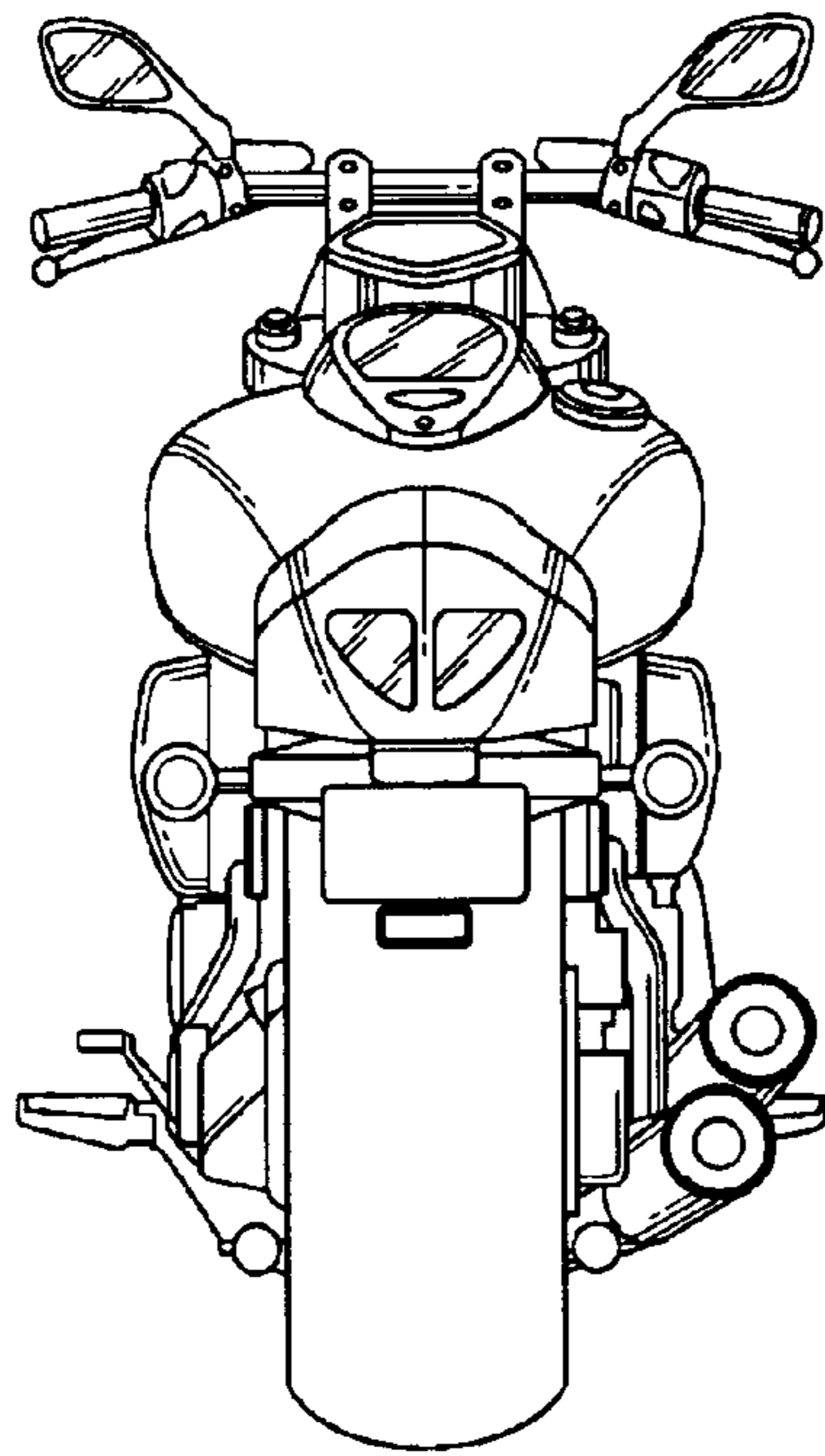


Fig. 4

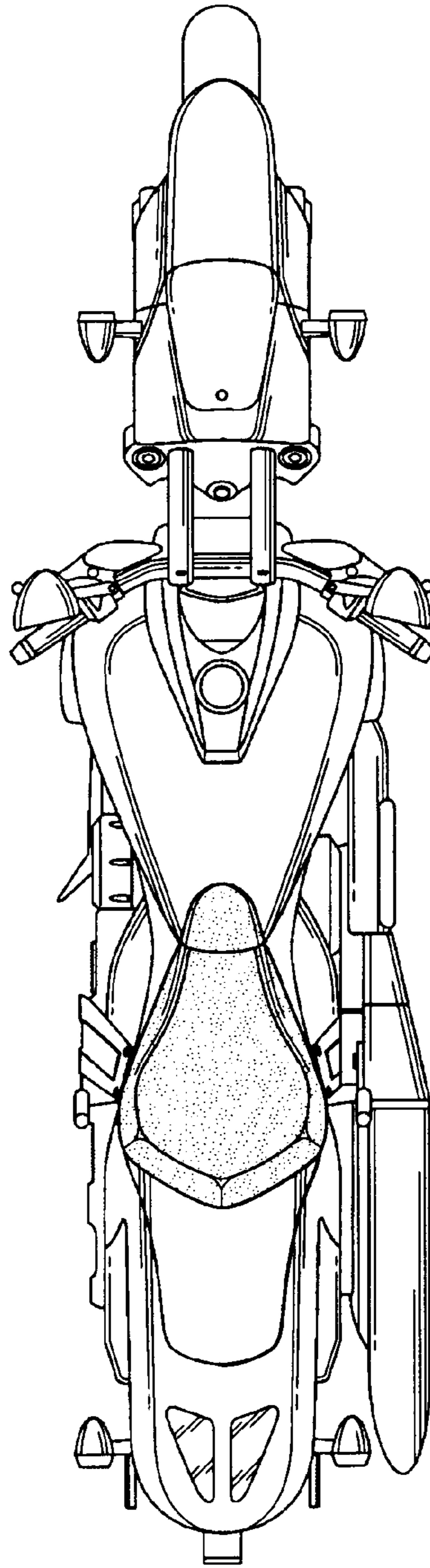


Fig. 5

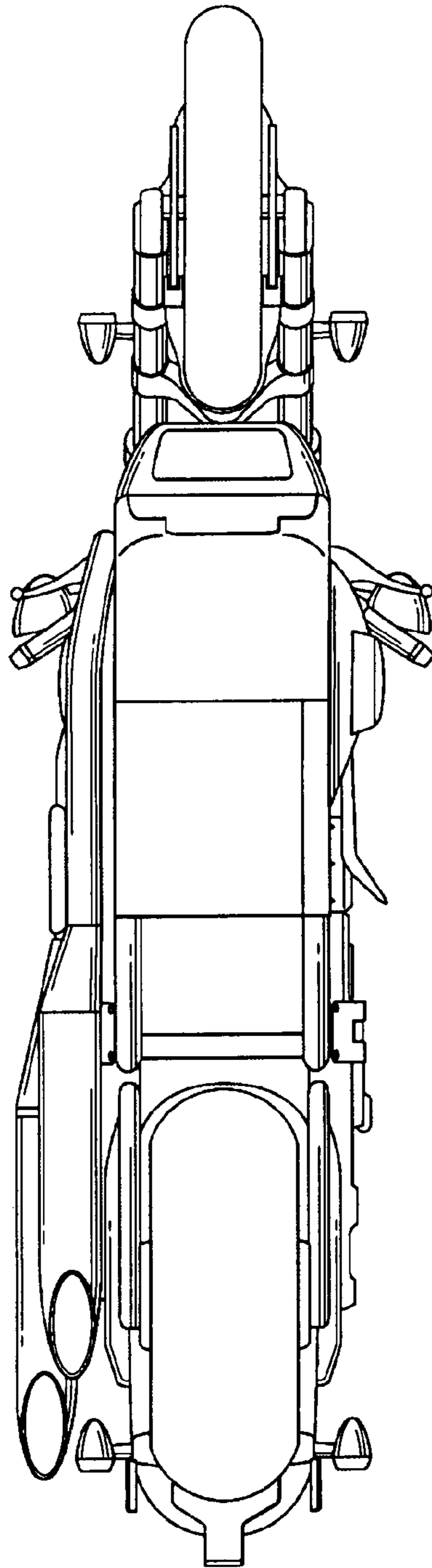


Fig. 6