

US00D525917S

(12) **United States Design Patent**
Matsumoto et al.

(10) **Patent No.:** **US D525,917 S**
(45) **Date of Patent:** **** Aug. 1, 2006**

(54) **MOTOR VEHICLE AND/OR TOY REPLICA THEREOF**

(75) Inventors: **Kengo Matsumoto**, Aichi-ken (JP);
Akikazu Hayashi, Aichi-ken (JP);
Tatsuya Sonoda, Aichi-ken (JP);
Yoshitake Takaoka, Aichi-ken (JP)

(73) Assignee: **Toyota Jidosha Kabushiki Kaisha** (JP)

(**) Term: **14 Years**

(21) Appl. No.: **29/234,944**

(22) Filed: **Jul. 25, 2005**

(51) **LOC (8) Cl.** **12-08**

(52) **U.S. Cl.** **D12/92**

(58) **Field of Classification Search** D12/90-92,
D12/86, 88; D21/424, 433; 296/181.1, 181.5
See application file for complete search history.

(56) **References Cited**

U.S. PATENT DOCUMENTS

- D489,646 S * 5/2004 Akiyama et al. D12/92
- D489,647 S * 5/2004 Matsumoto et al. D12/92
- D491,842 S * 6/2004 Nakamura et al. D12/92

OTHER PUBLICATIONS

Mercedes-Benz, S-CLASS, Brochure of S-CLASS, Dec. 2001.

Nissan, SKYLINE, Brochure of SKYLINE, Jun. 2001.

* cited by examiner

Primary Examiner—Melody N. Brown

(74) *Attorney, Agent, or Firm*—SAIDMAN DesignLaw Group

(57) **CLAIM**

The ornamental design for a motor vehicle and/or toy replica thereof, as shown and described.

DESCRIPTION

FIG. 1 is a front perspective view of a motor vehicle and/or toy replica thereof showing our new design;

FIG. 2 is a rear perspective view thereof;

FIG. 3 is a right-side view thereof;

FIG. 4 is a top view thereof;

FIG. 5 is a front view thereof; and,

FIG. 6 is a rear view thereof.

1 Claim, 2 Drawing Sheets





FIG. 1



FIG. 2

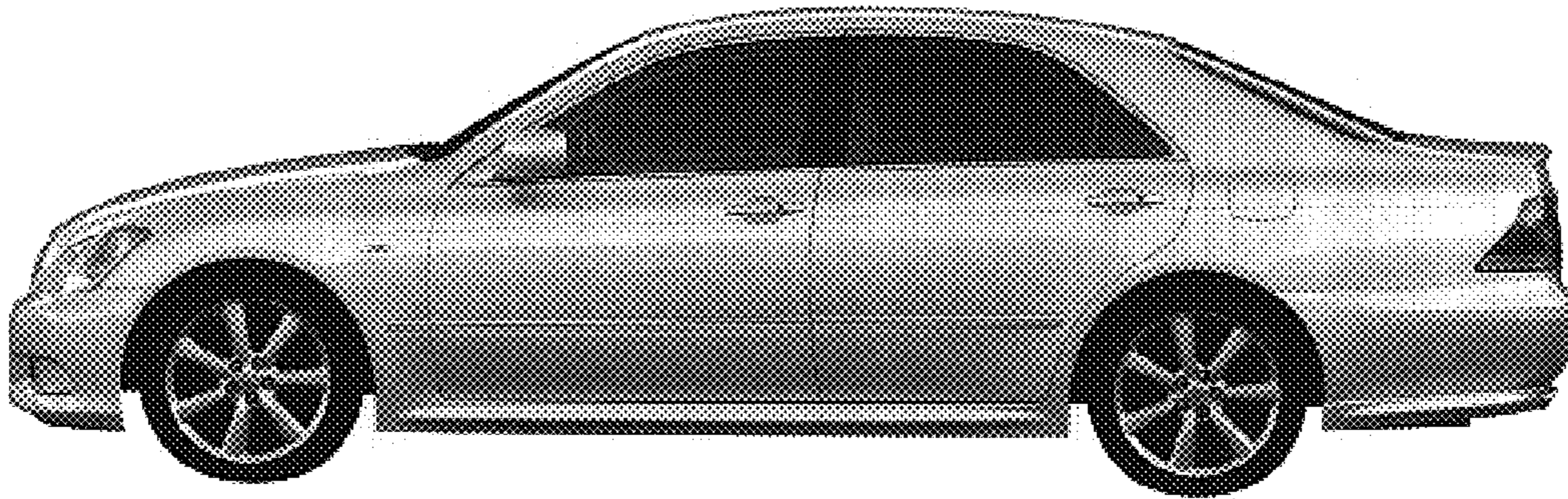


FIG. 3

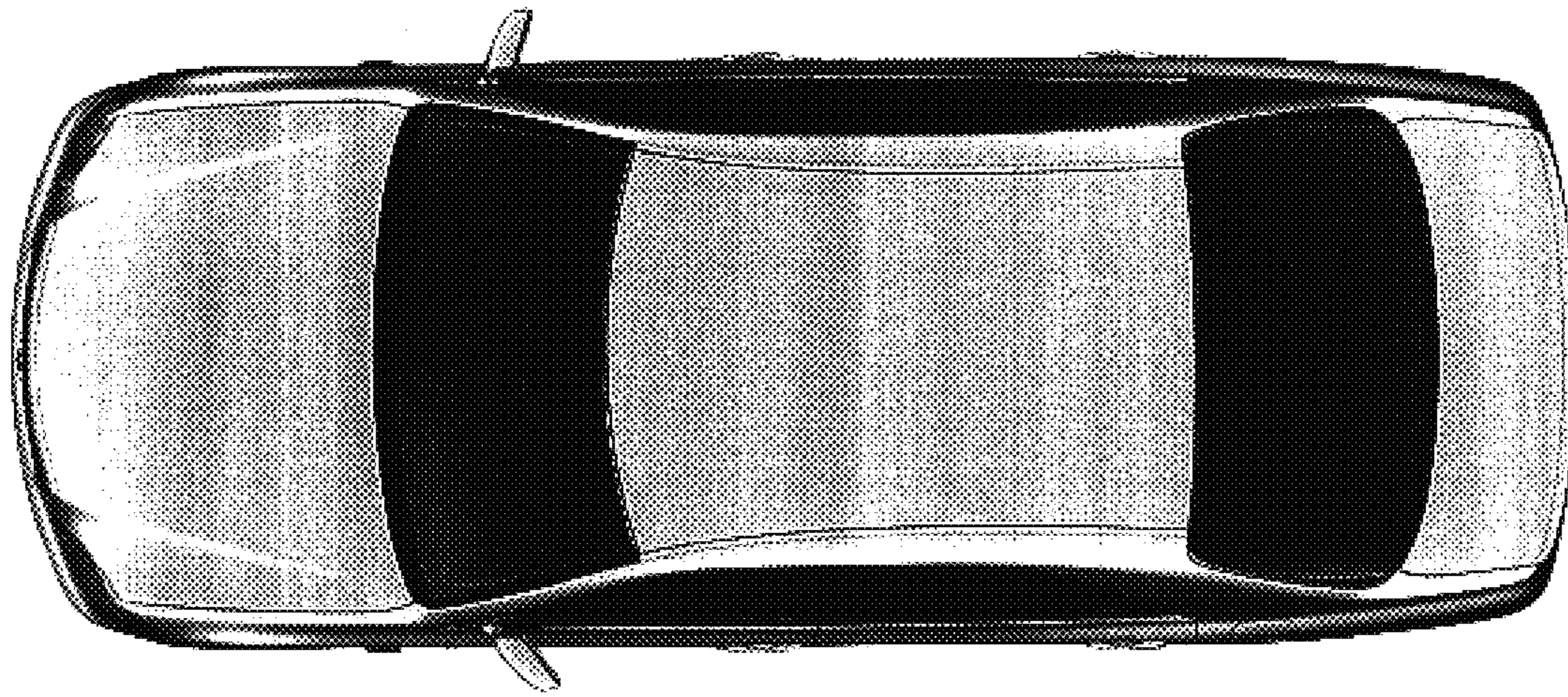


FIG. 4



FIG. 5

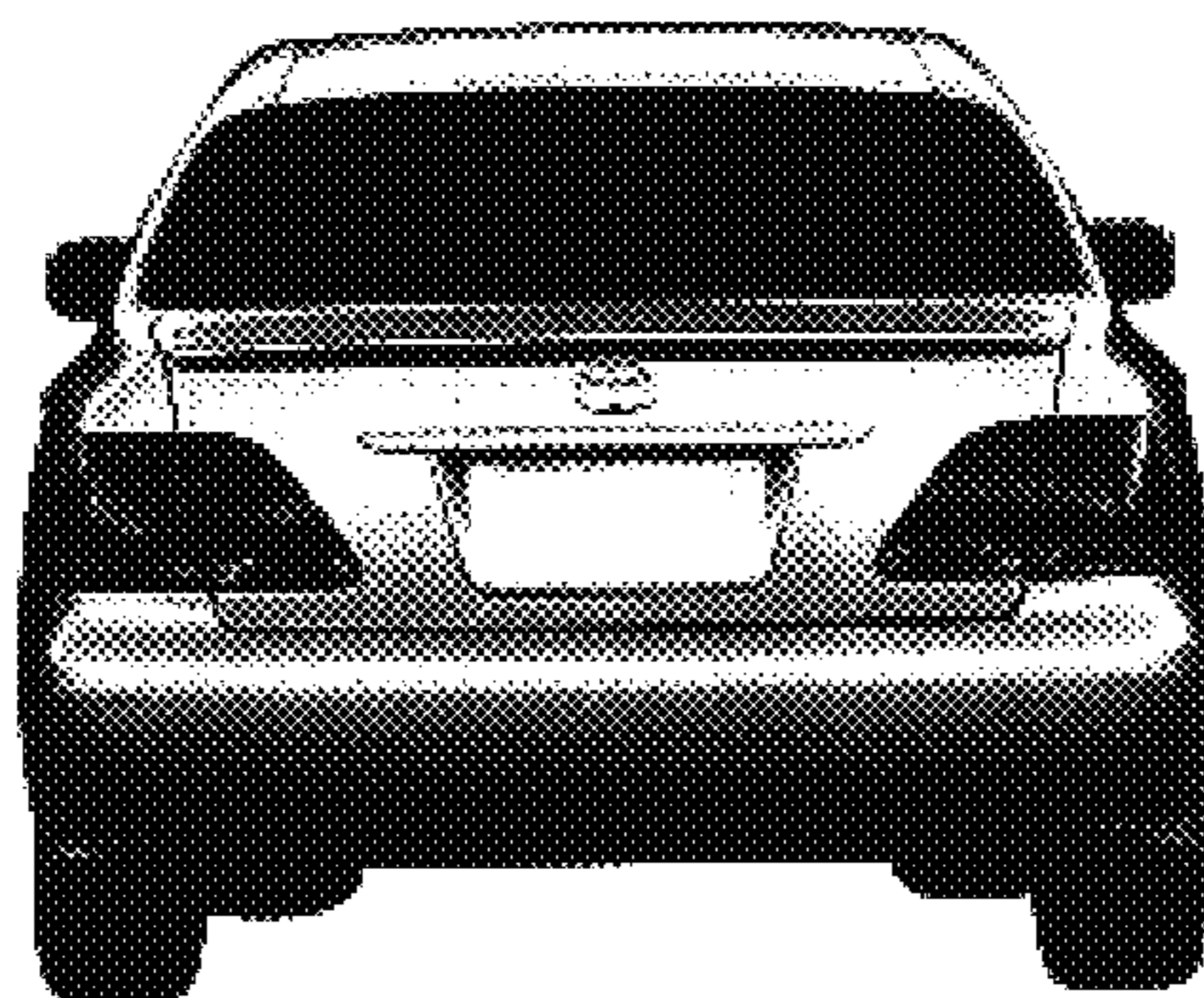


FIG. 6