



US00D525894S

(12) **United States Design Patent**  
**Chiang et al.**

(10) **Patent No.:** **US D525,894 S**

(45) **Date of Patent:** **\*\* Aug. 1, 2006**

(54) **STRUCTURE OF A LIGHT AND SIGN ASSEMBLY FOR SHOWING THE DIRECTION OF AN EMERGENCY EXIT**

D458,178 S \* 6/2002 Bradshaw ..... D10/114

\* cited by examiner

(75) Inventors: **Liang-Chieh Chiang**, Tainan Hsien (TW); **Pei-Chun Ko**, Tainan Hsien (TW); **Wan-Jung Wu**, Tainan Hsien (TW); **Wen-Shou Wang**, Tainan (TW); **Yu-Pin Kao**, Tainan (TW); **Jack C. Chu**, Walnut, CA (US)

*Primary Examiner*—Marcus A. Jackson  
(74) *Attorney, Agent, or Firm*—Rosenberg, Klein & Lee

(57) **CLAIM**

The ornamental design for a structure of a light and sign assembly for showing the direction of an emergency exit, as shown and described.

(73) Assignee: **Longsun Technologies Co., Ltd.**, Tainan Hsien (TW)

**DESCRIPTION**

(\*\*) Term: **14 Years**

FIG. 1 is a perspective view of a structure of a light and sign assembly for showing the direction of an emergency exit showing my new design;

(21) Appl. No.: **29/238,262**

FIG. 2 is a front elevational view thereof;

(22) Filed: **Sep. 14, 2005**

FIG. 3 is a rear elevational view thereof;

(51) **LOC (8) Cl.** ..... **10-05**

FIG. 4 is a left side elevational view thereof;

(52) **U.S. Cl.** ..... **D10/114**

FIG. 5 is a right side elevational view thereof;

(58) **Field of Classification Search** ..... D26/37-50;  
D10/114; 362/157, 158, 171-174, 183-208;  
116/63 P, 63 C, 63 R

FIG. 6 is a top plan view thereof.

See application file for complete search history.

FIG. 7 is a bottom plan view thereof; and,

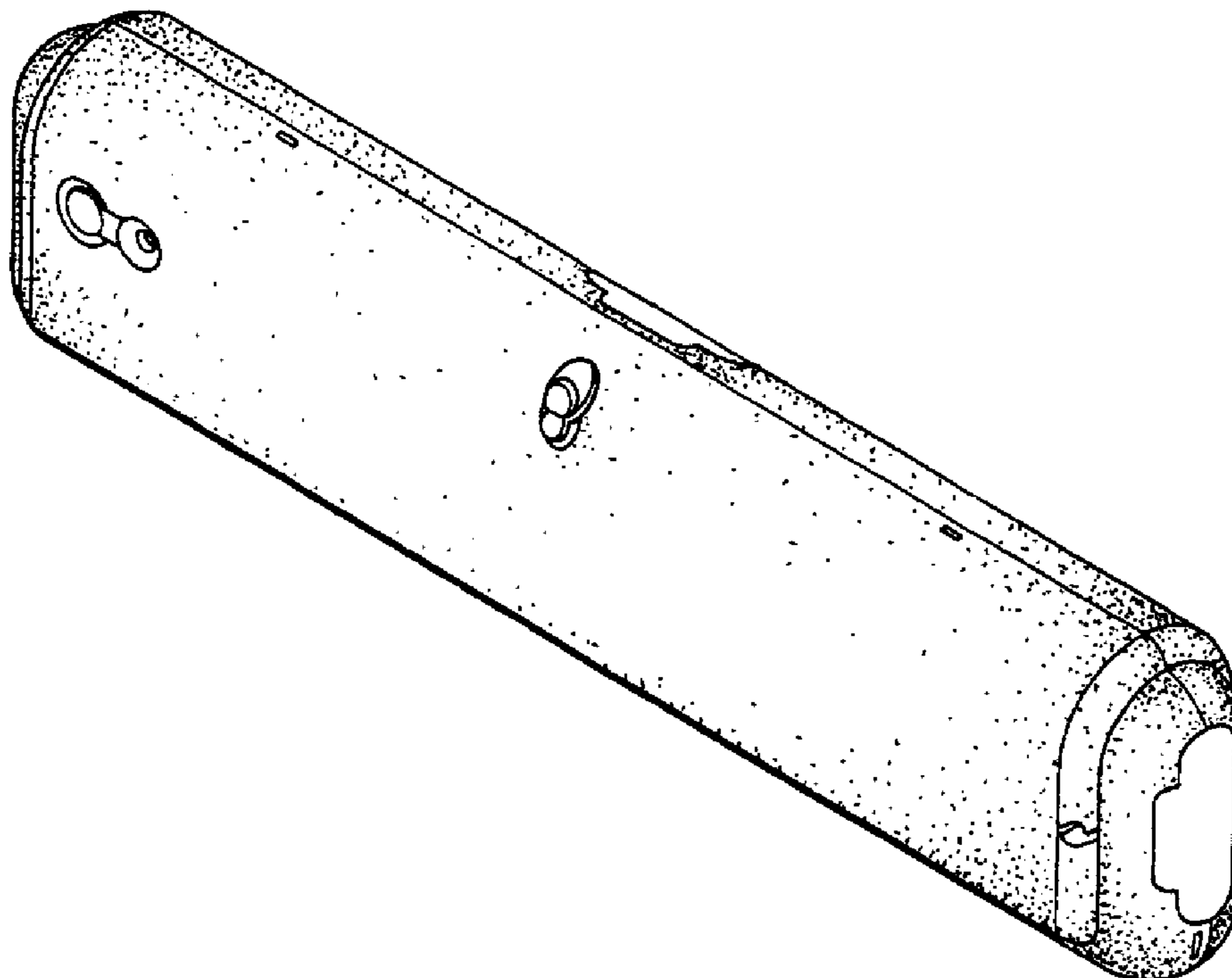
FIG. 8 is a perspective view thereof, wherein the broken line of the structure of a light and sign assembly for showing the direction of an emergency exit is for illustrative purposes, and forms no part of the claimed design.

(56) **References Cited**

**U.S. PATENT DOCUMENTS**

D398,656 S \* 9/1998 Kobayashi et al. .... D20/41

**1 Claim, 6 Drawing Sheets**



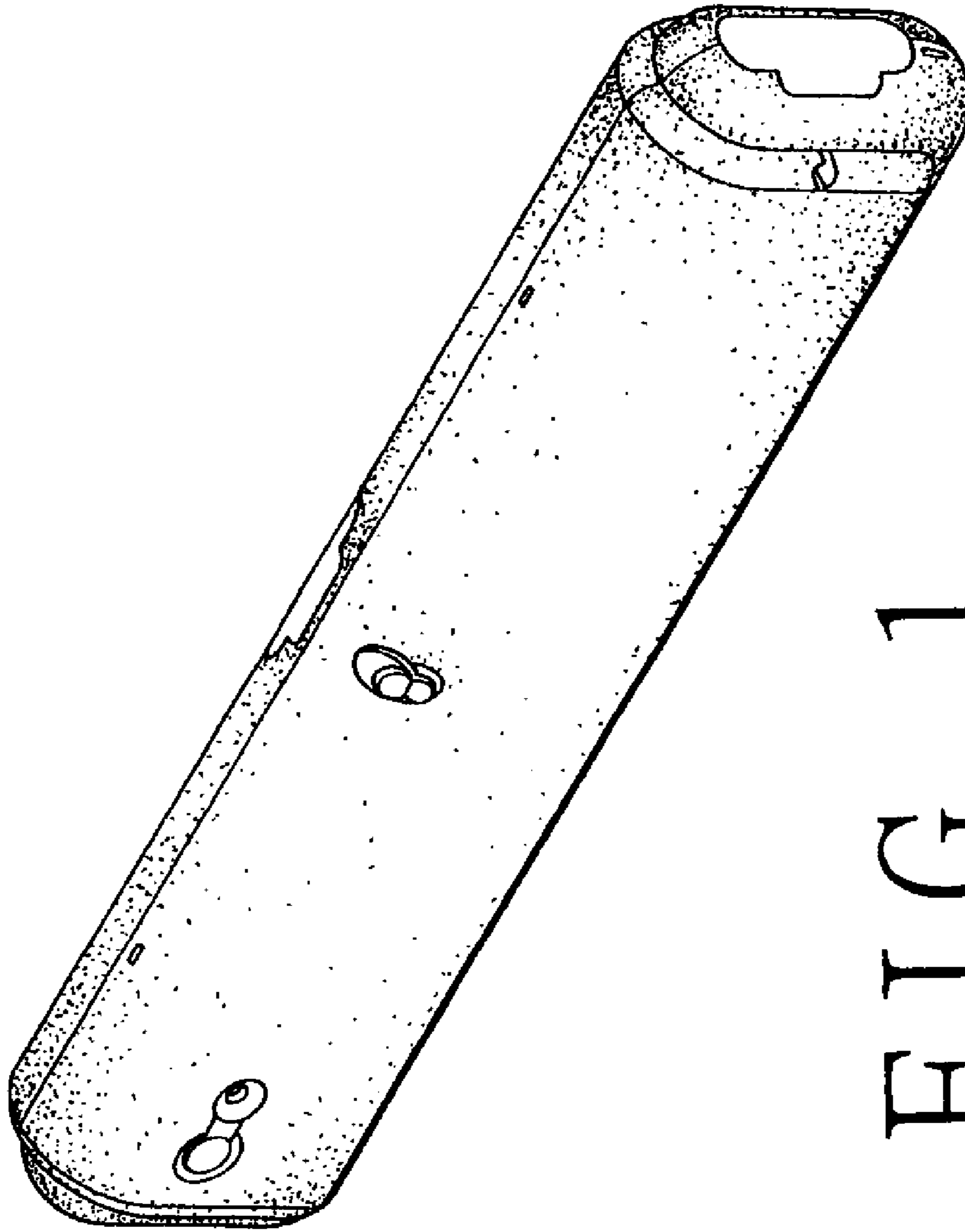


FIG. 1

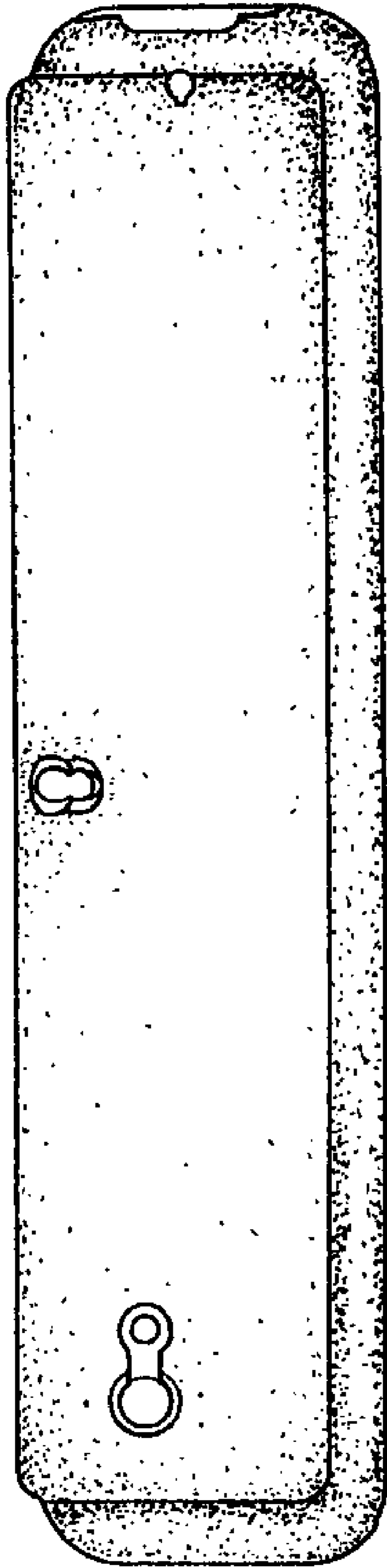


FIG. 2

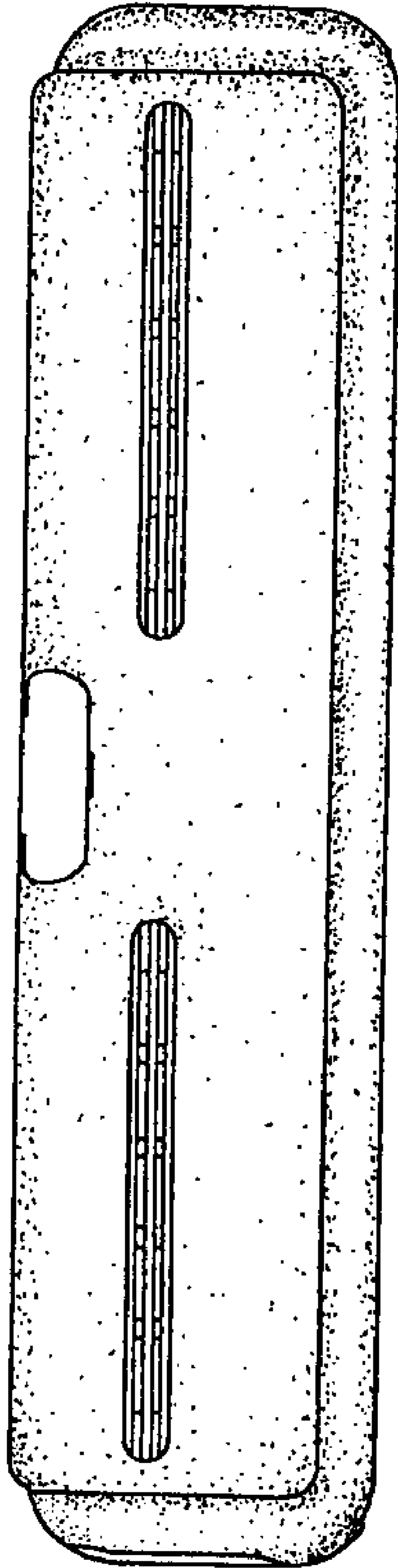


FIG. 3

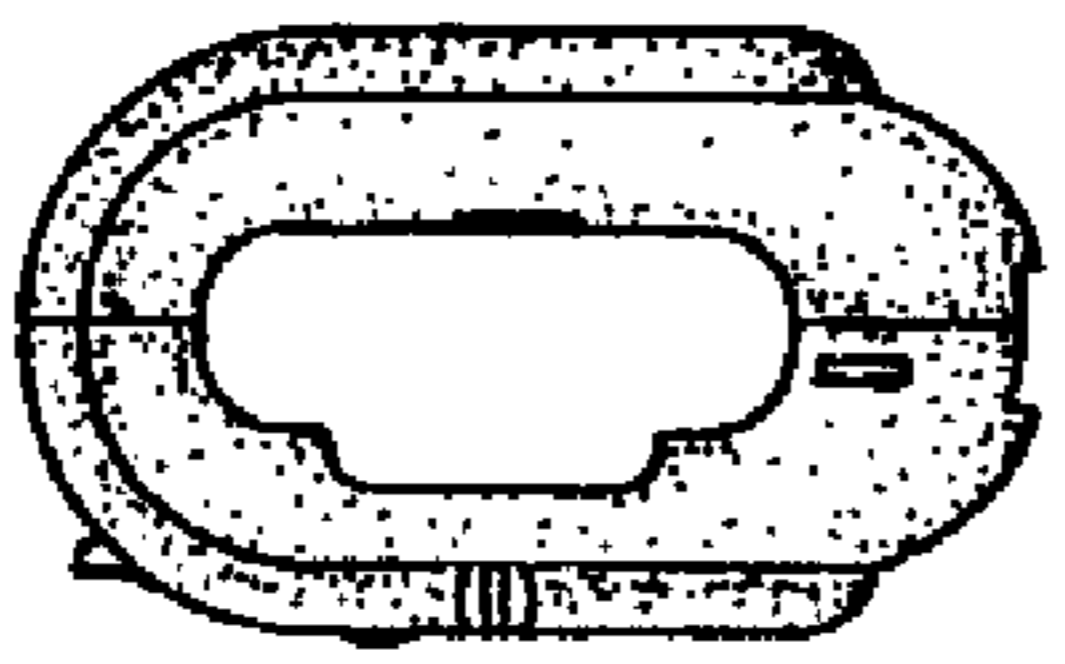
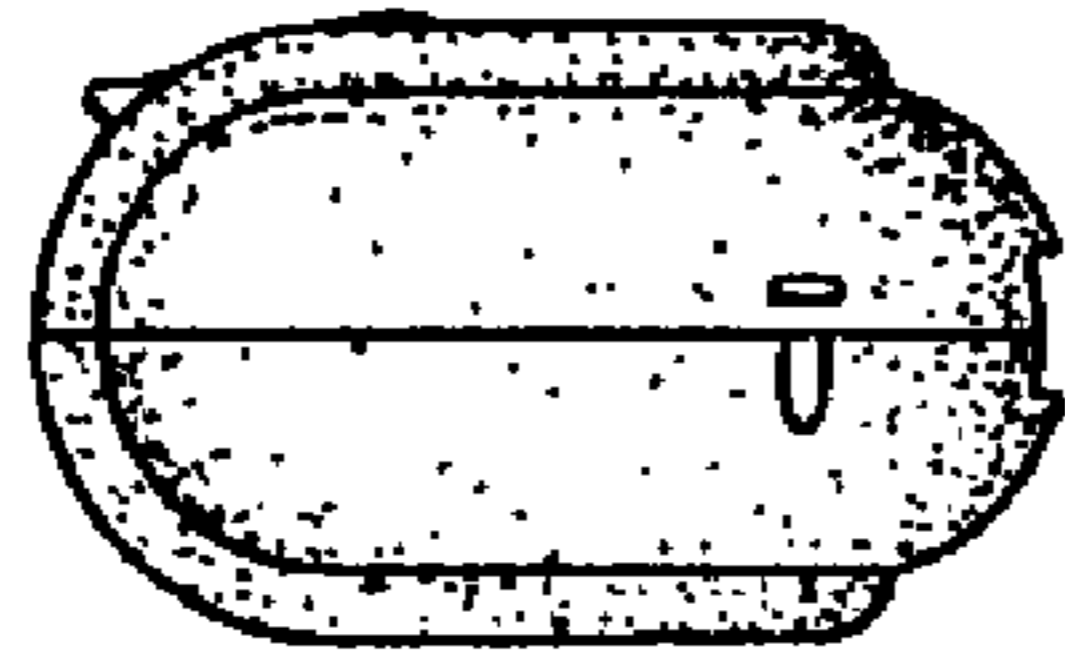


FIG. 4 FIG. 5

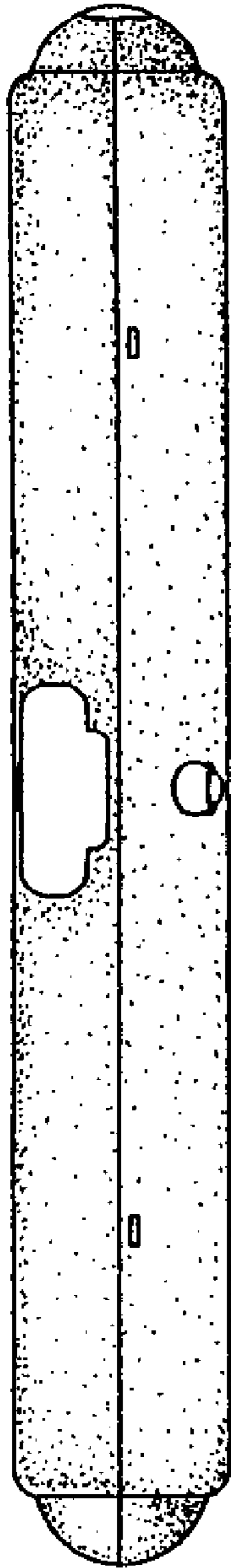


FIG. 6

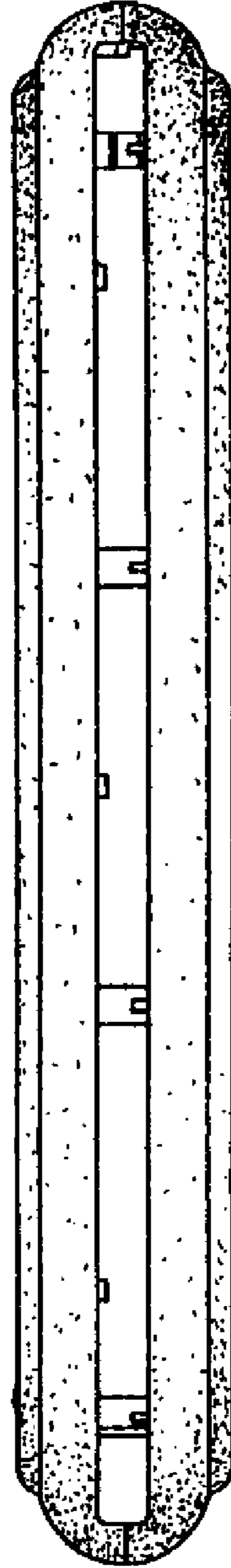


FIG. 7

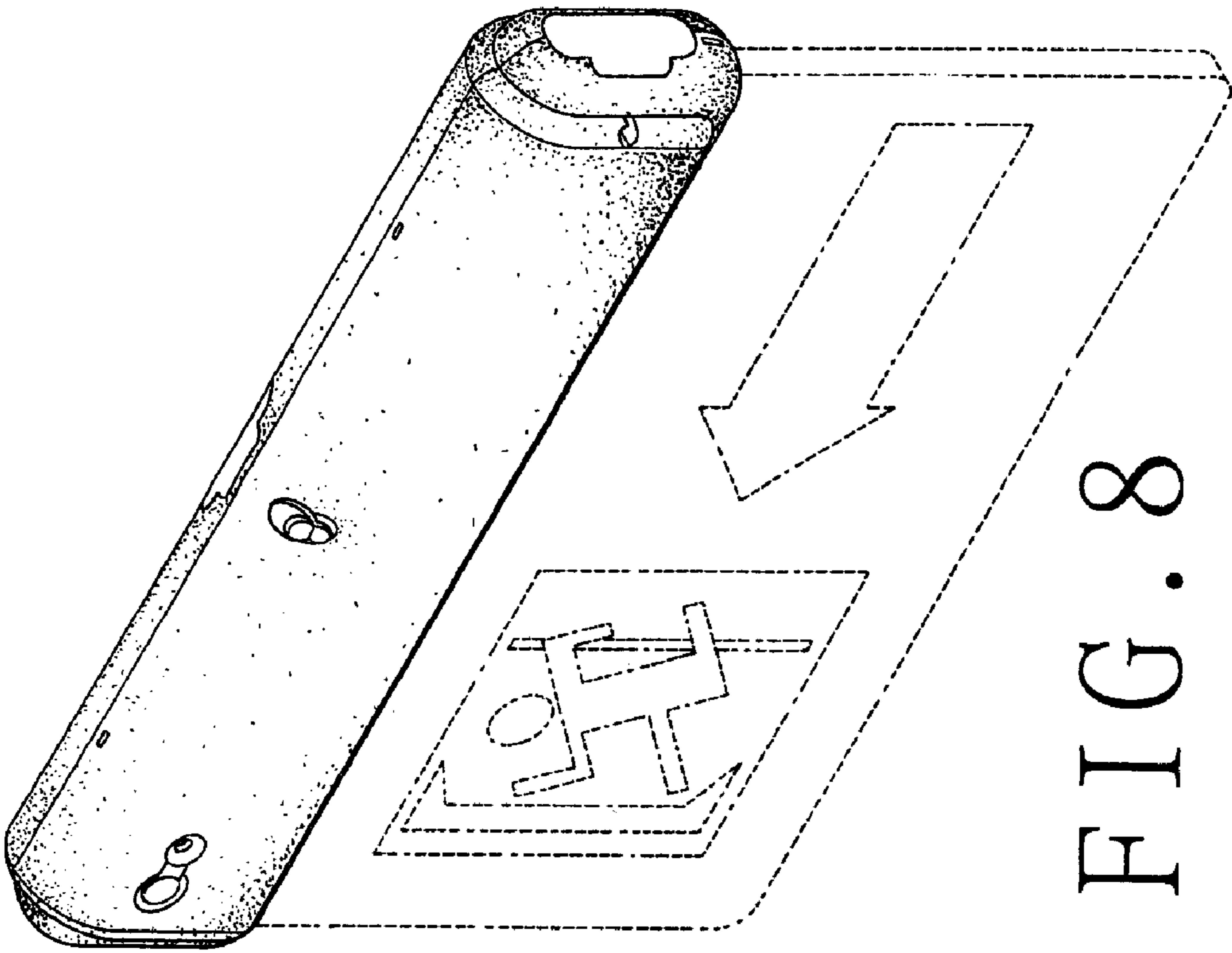


FIG. 8