

US00D525893S

(12) **United States Design Patent**  
**Kagan et al.**

(10) **Patent No.:** **US D525,893 S**

(45) **Date of Patent:** **\*\* Aug. 1, 2006**

(54) **ELECTRONIC POWER METER**

(75) Inventors: **Erran Kagan**, Port Washington, NY (US); **Tibor Banhegyesi**, Baldwin, NY (US); **Avi Cohen**, Great Neck, NY (US)

(73) Assignee: **Electro Industries/Gauge Tech**, Westbury, NY (US)

(\*\*) Term: **14 Years**

(21) Appl. No.: **29/223,982**

(22) Filed: **Feb. 23, 2005**

(51) **LOC (8) Cl.** ..... **10-04**

(52) **U.S. Cl.** ..... **D10/99**

(58) **Field of Classification Search** ..... D10/99, D10/100; 324/74, 142; 340/870.02; 702/61  
See application file for complete search history.

(56) **References Cited**

**U.S. PATENT DOCUMENTS**

D348,019 S \* 6/1994 Kocol et al. .... D10/100  
D435,471 S \* 12/2000 Simbeck et al. .... D10/99

D458,863 S \* 6/2002 Harding et al. .... D10/99  
6,476,595 B1 \* 11/2002 Heuell et al. .... 324/142  
6,476,729 B1 \* 11/2002 Liu ..... 340/870.02

\* cited by examiner

*Primary Examiner*—Antoine D. Davis

(74) *Attorney, Agent, or Firm*—Michael J. Porco

(57) **CLAIM**

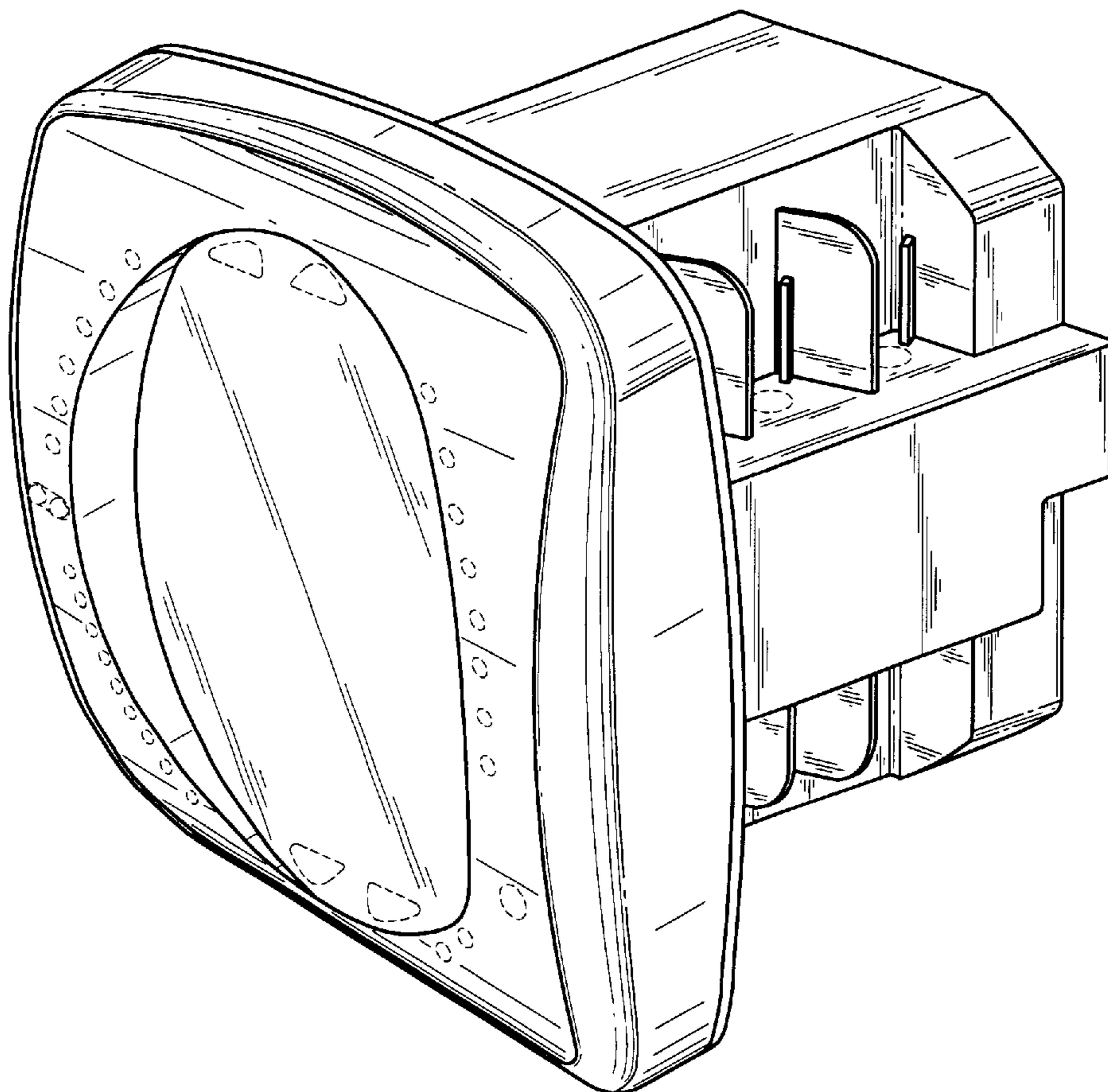
The ornamental design for an electronic power meter, as shown and described.

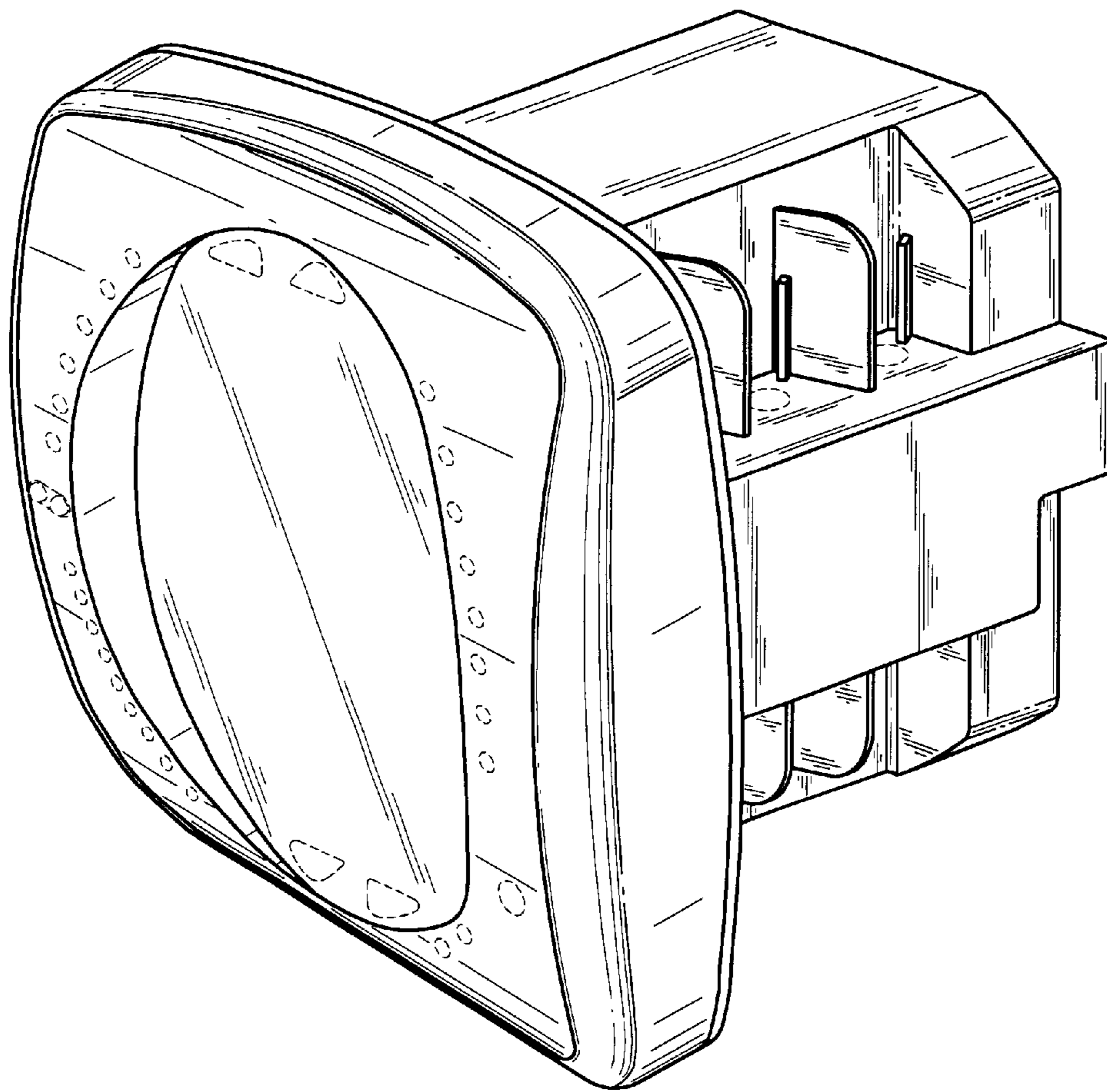
**DESCRIPTION**

FIG. 1 is a perspective, front view of the electronic power meter showing the new design;  
FIG. 2 is a front view thereof;  
FIG. 3 is a rear view thereof;  
FIG. 4 is a side view of one side thereof;  
FIG. 5 is a side view of another side thereof;  
FIG. 6 is a top view thereof; and,  
FIG. 7 is a bottom view thereof.

The broken lines showing in FIGS. 1–7 are for illustrative purposes only and form no part of the claimed design.

**1 Claim, 4 Drawing Sheets**





*FIG. 1*

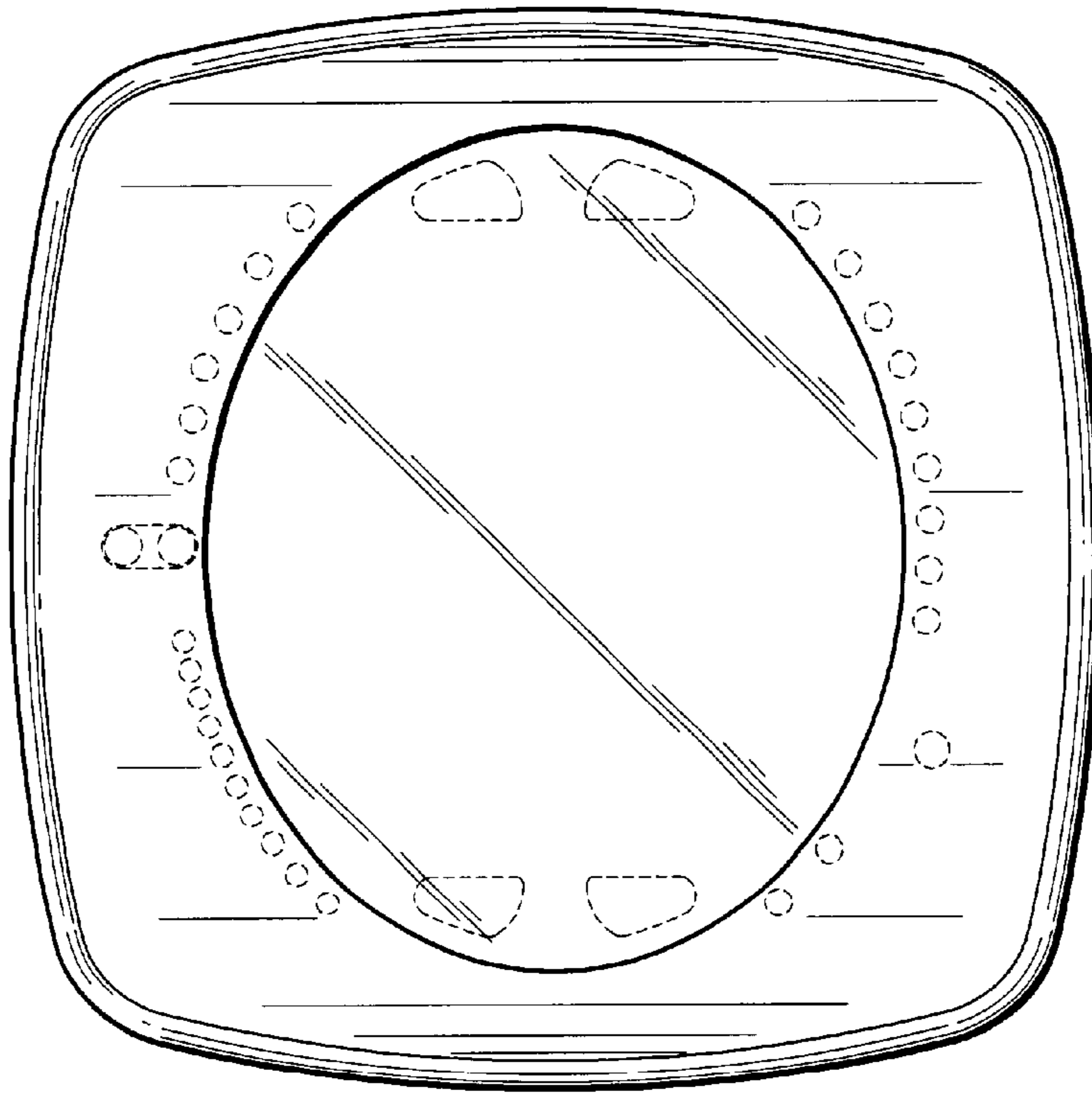


FIG. 2

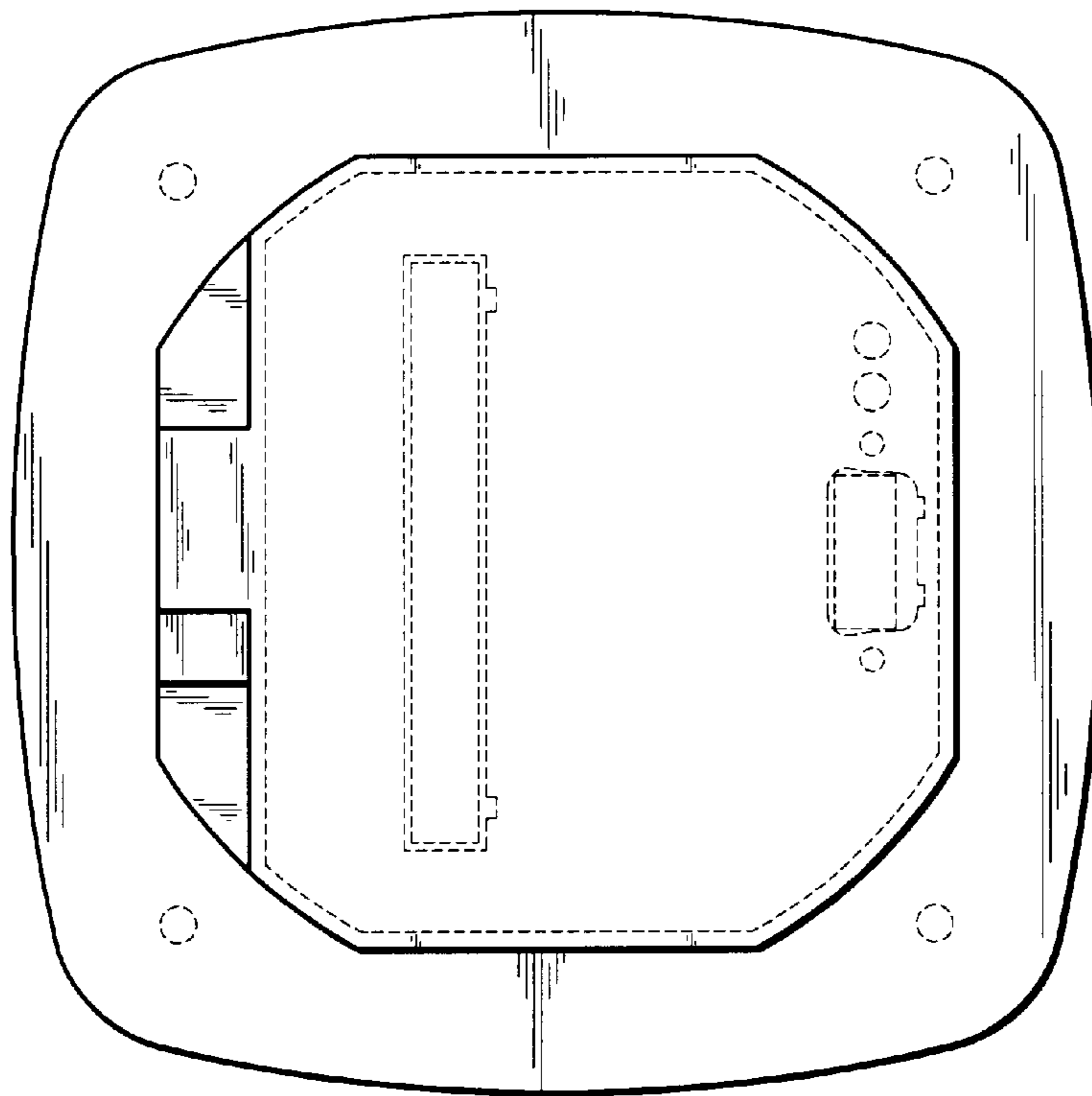
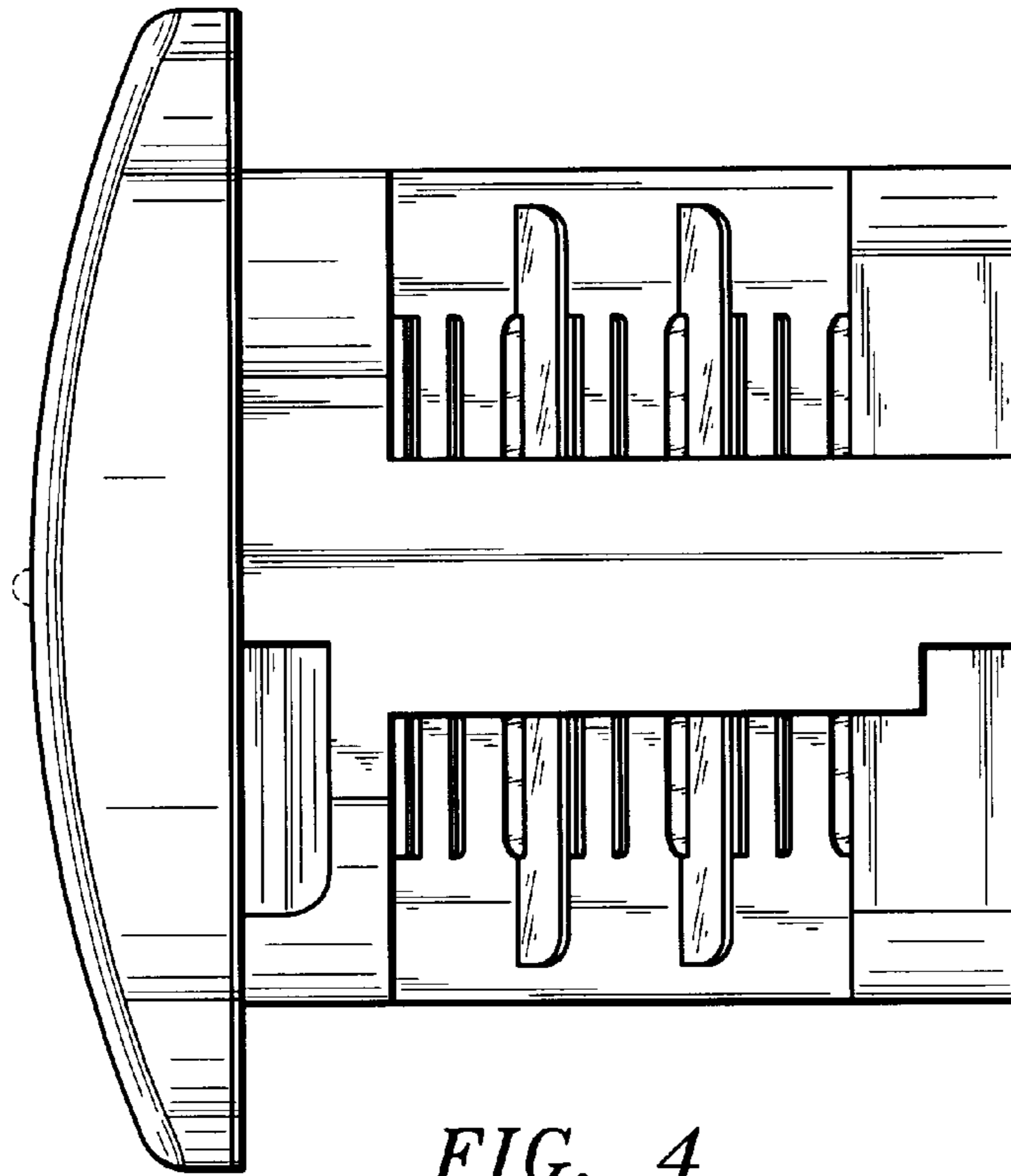
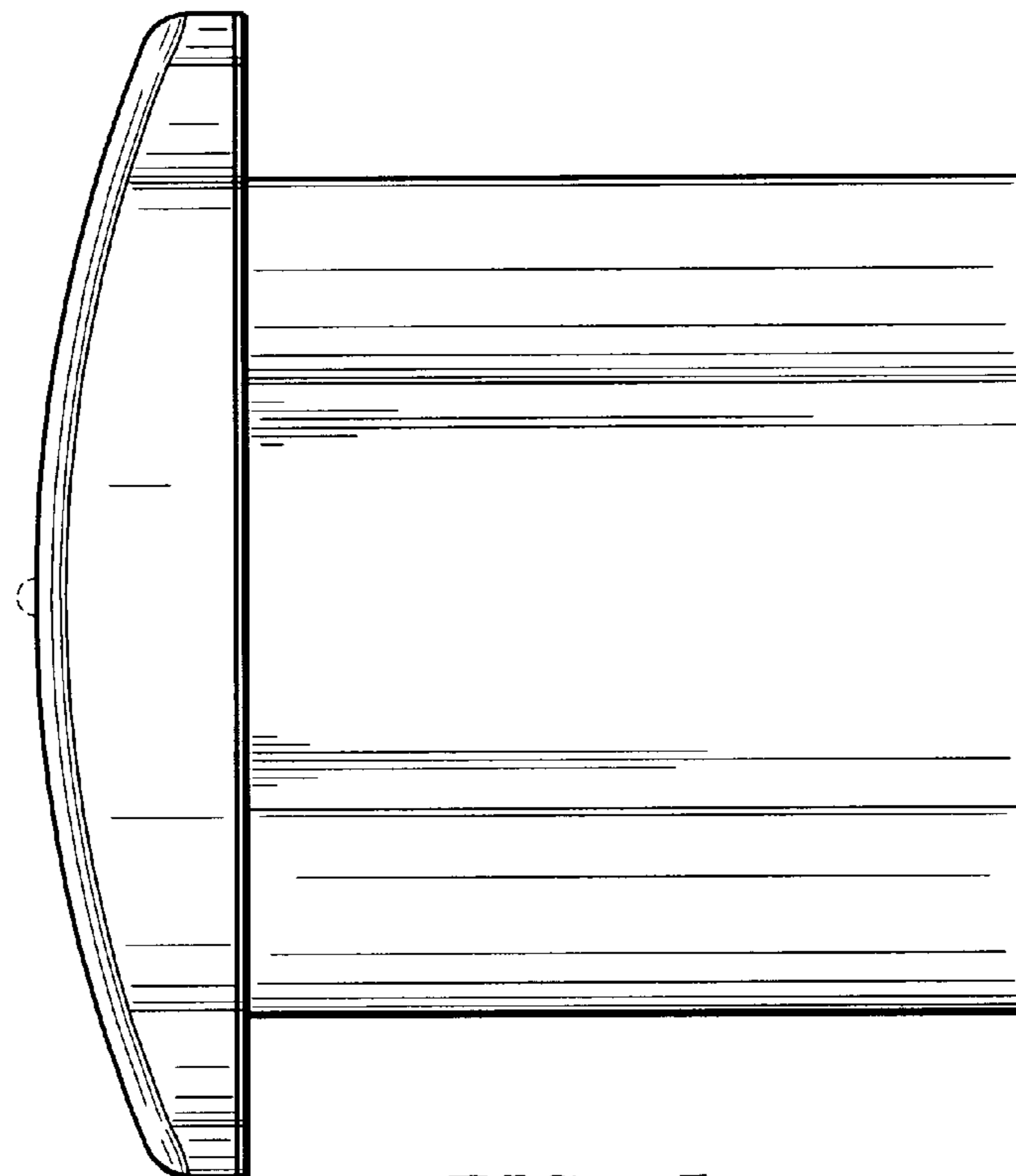


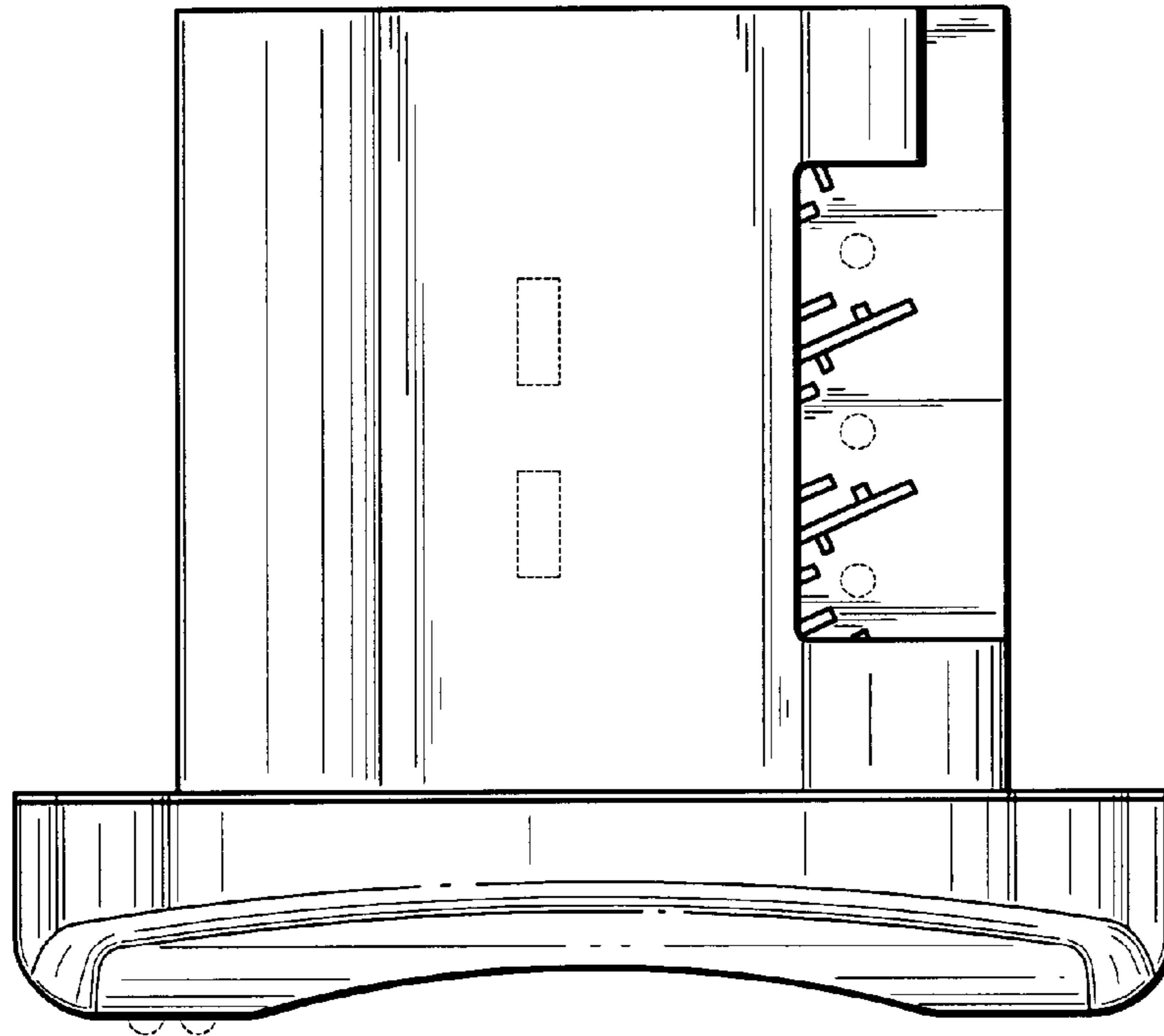
FIG. 3



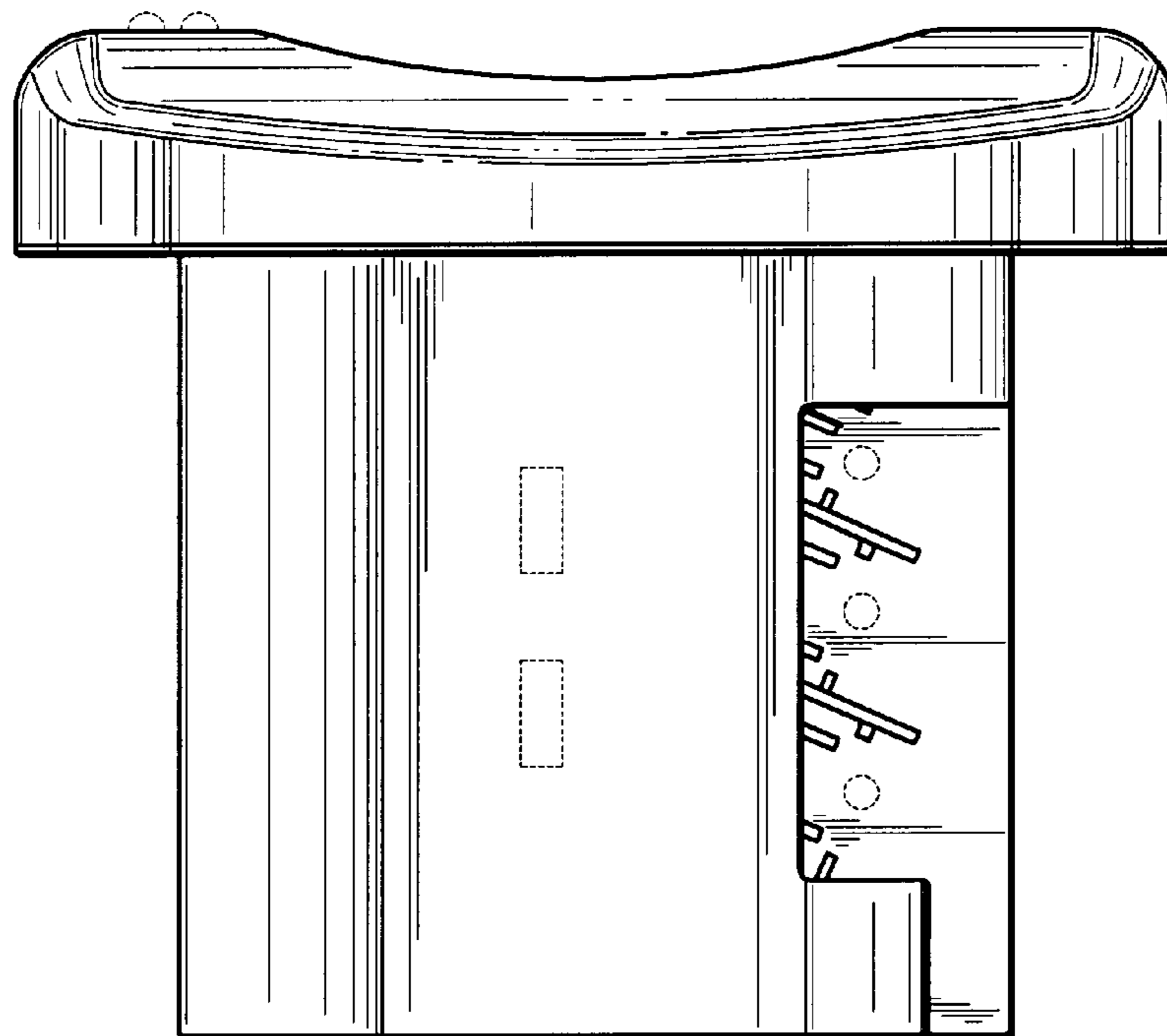
*FIG. 4*



*FIG. 5*



*FIG. 6*



*FIG. 7*