

US00D525889S

(12) **United States Design Patent**
Oas

(10) **Patent No.:** **US D525,889 S**

(45) **Date of Patent:** **** Aug. 1, 2006**

(54) **PEDOMETER RADIO**

6,882,955 B1 * 4/2005 Ohlenbusch et al. 702/160

(75) Inventor: **Daniel Oas**, Irwindale, CA (US)

* cited by examiner

(73) Assignee: **Calibre International, LLC**, Irwindale, CA (US)

Primary Examiner—Antoine D. Davis

(74) *Attorney, Agent, or Firm*—The Soni Law Firm

(**) Term: **14 Years**

(57) **CLAIM**

The ornamental design for a pedometer radio, as shown and described.

(21) Appl. No.: **29/224,665**

(22) Filed: **Mar. 4, 2005**

DESCRIPTION

(51) **LOC (8) Cl.** **10-04**

(52) **U.S. Cl.** **D10/70; D14/168**

(58) **Field of Classification Search** D10/70,
D10/97, 98; 235/95 C, 105; 377/5, 24.2,
377/26; 702/144, 160, 176

See application file for complete search history.

FIG. 1 is a top front perspective view of a pedometer radio;
FIG. 2 is a front view of the pedometer radio of FIG. 1;
FIG. 3 is a right side elevation view of the pedometer radio
of FIG. 1;

FIG. 4 is a left side elevation view of the pedometer radio
of FIG. 1;

FIG. 5 is a top plan view of the pedometer radio of FIG. 1;
FIG. 6 is a bottom plan view of the pedometer radio of FIG.
1; and,

FIG. 7 is a rear view of the pedometer radio of FIG. 1.

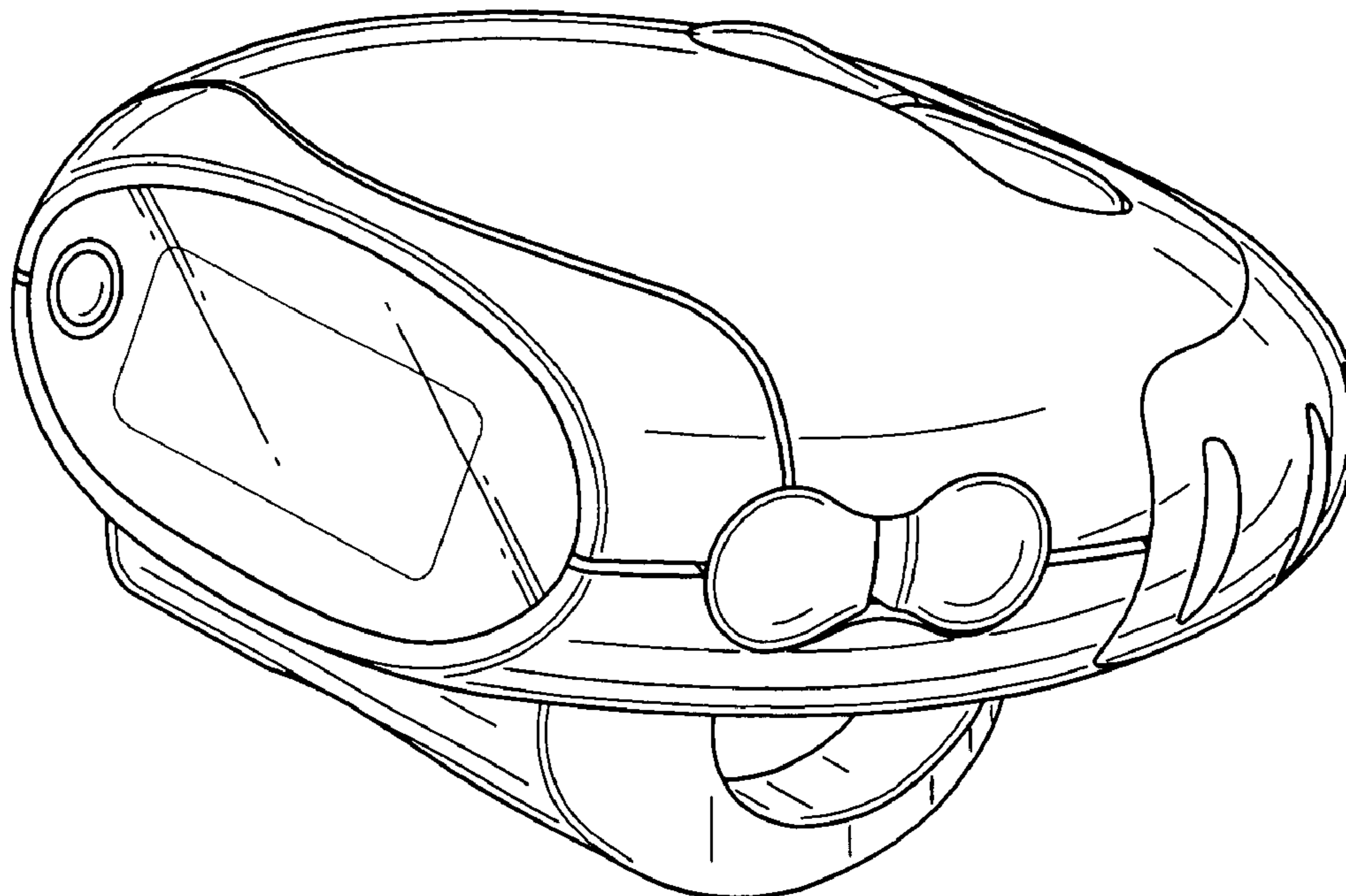
(56) **References Cited**

U.S. PATENT DOCUMENTS

D502,654 S * 3/2005 Nishiura et al. D10/70

D502,693 S * 3/2005 Chen D14/171

1 Claim, 3 Drawing Sheets



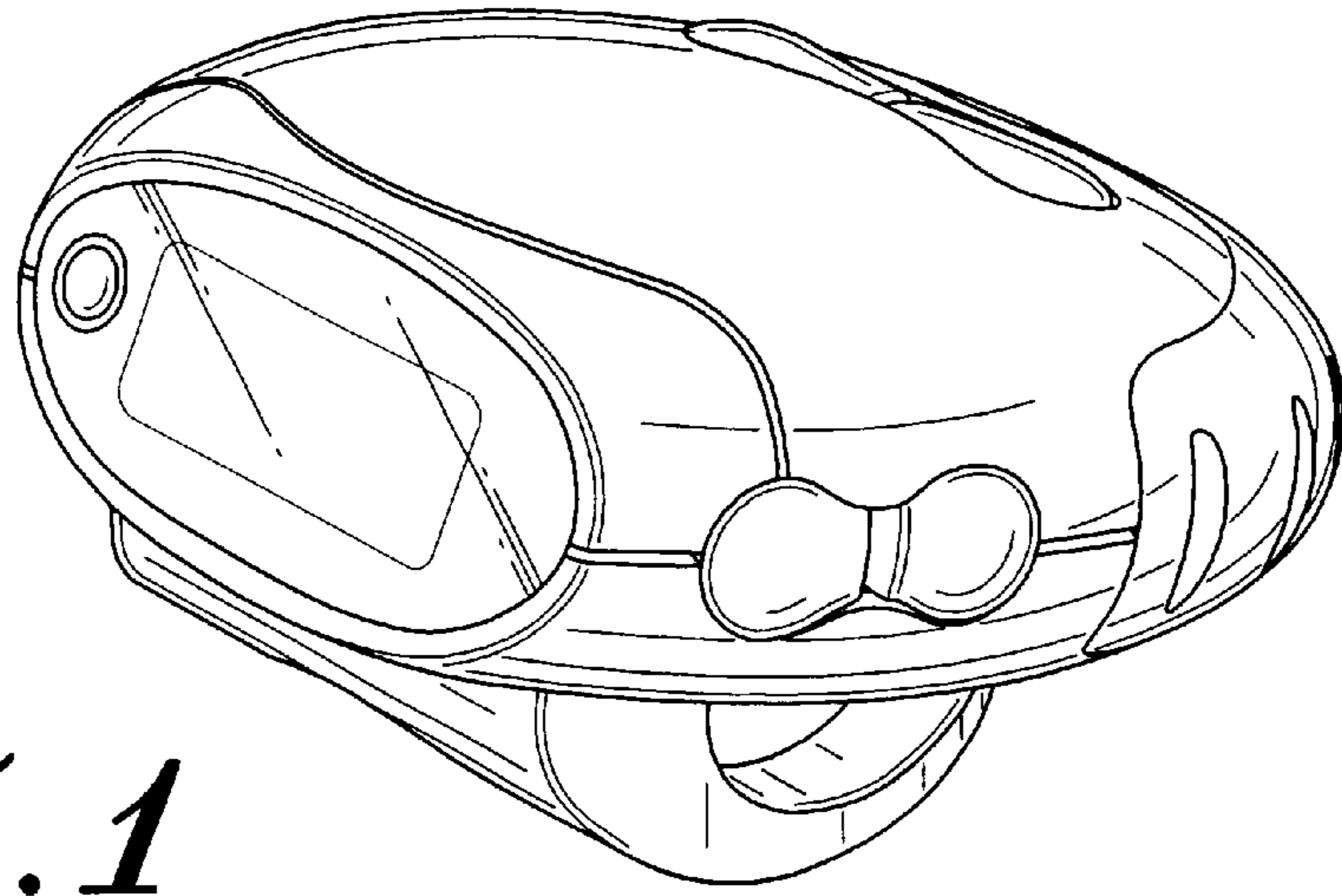


FIG. 1

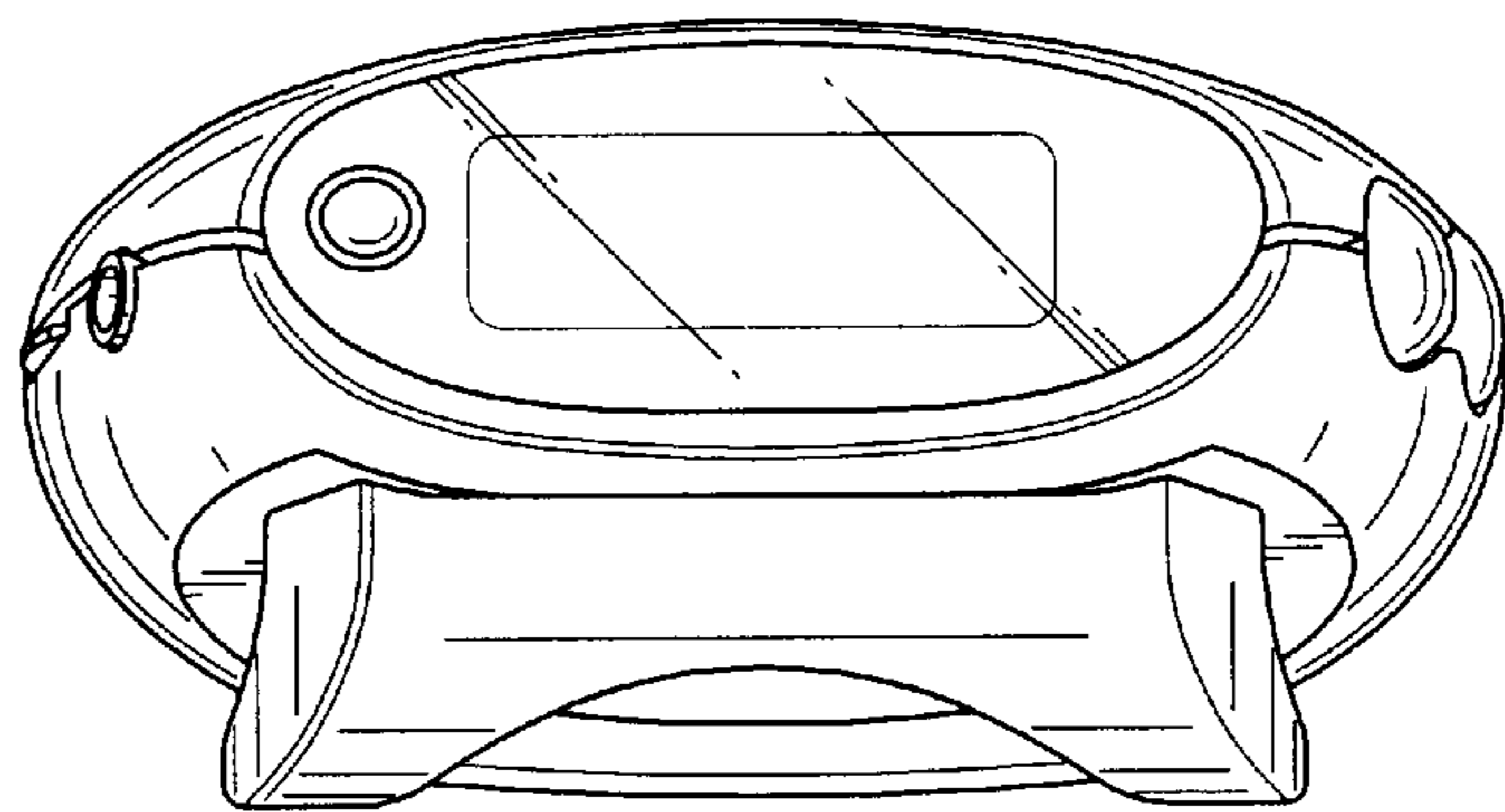


FIG. 2

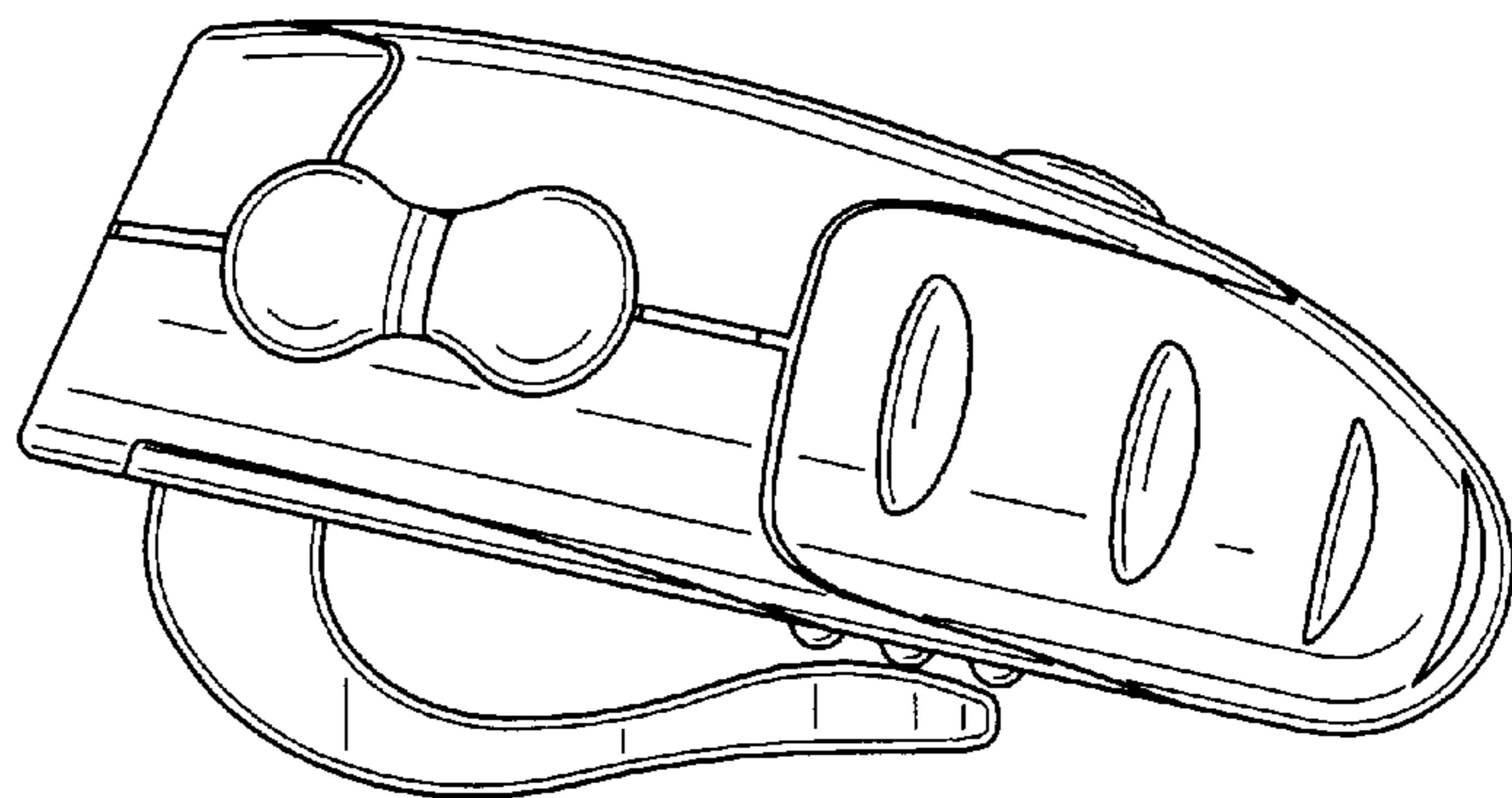


FIG. 3

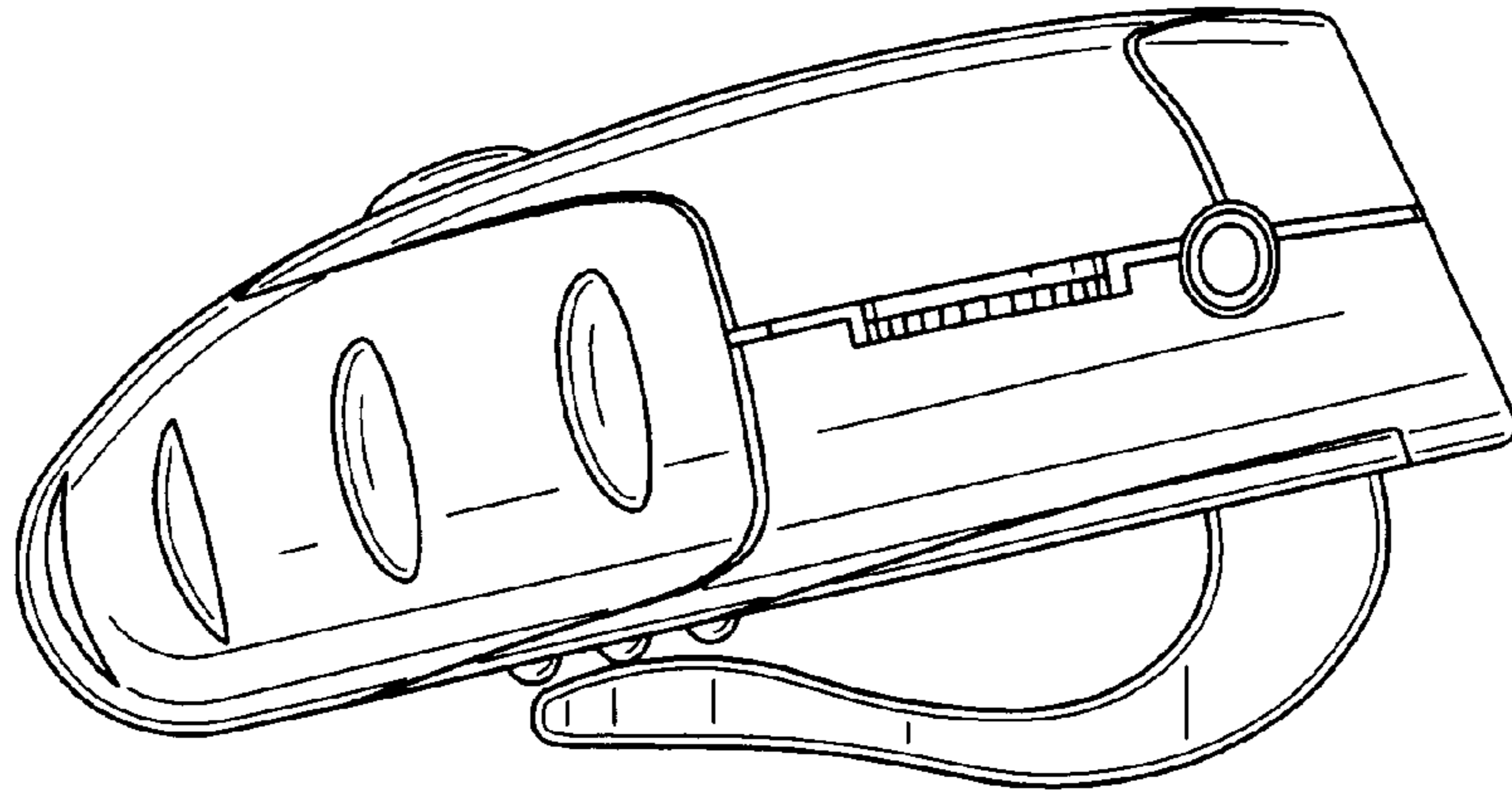


FIG. 4

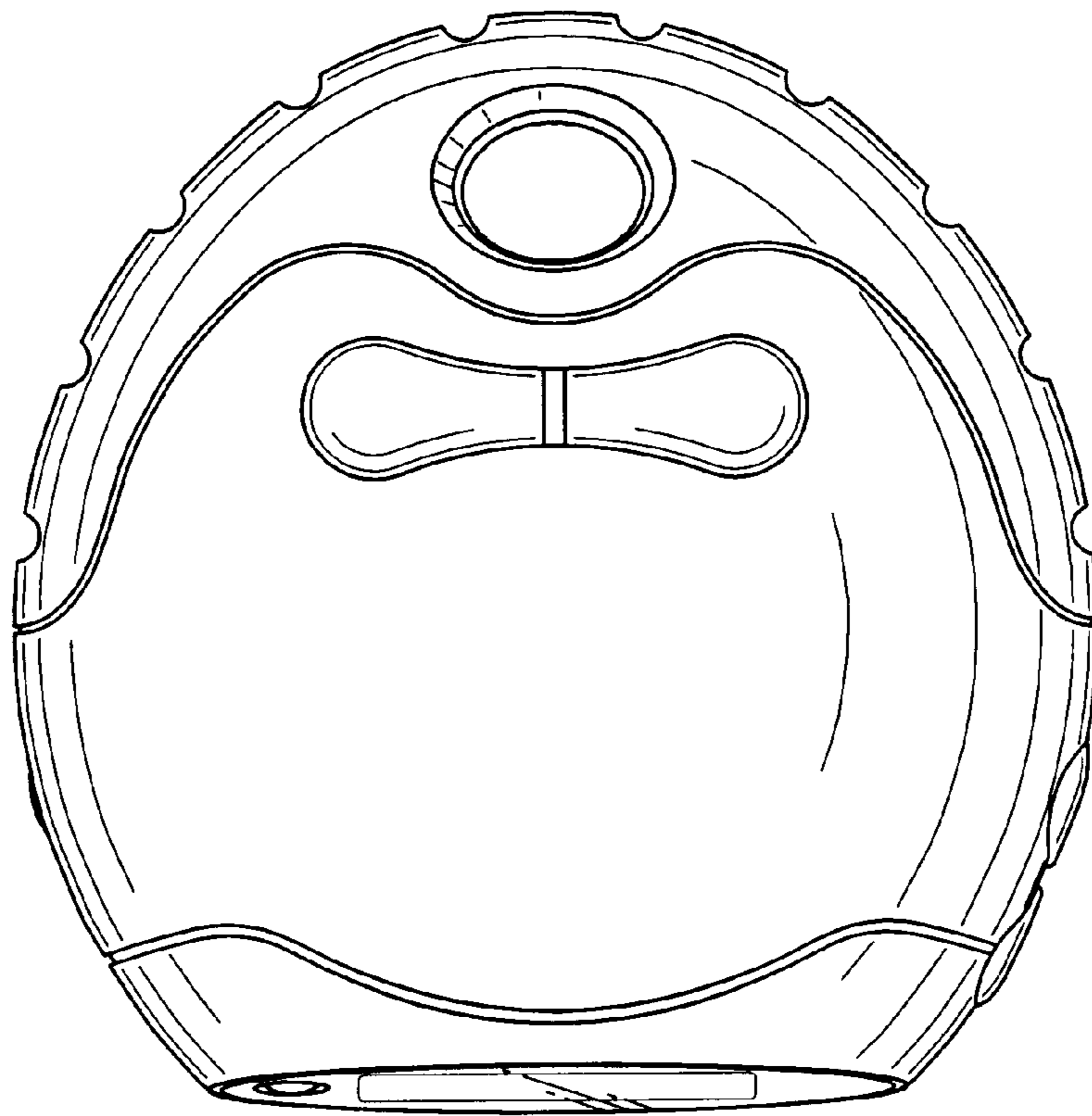


FIG. 5

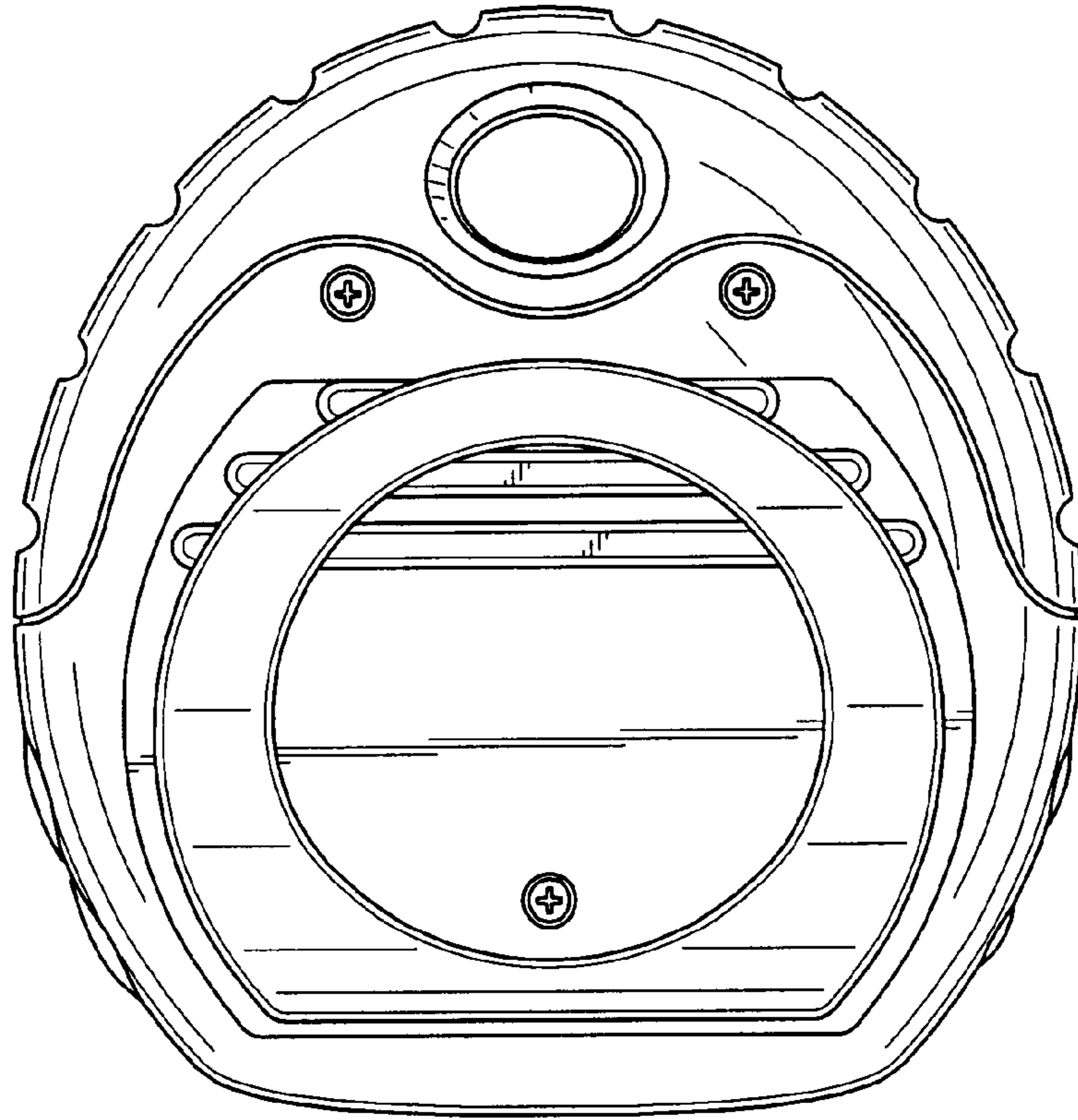


FIG. 6

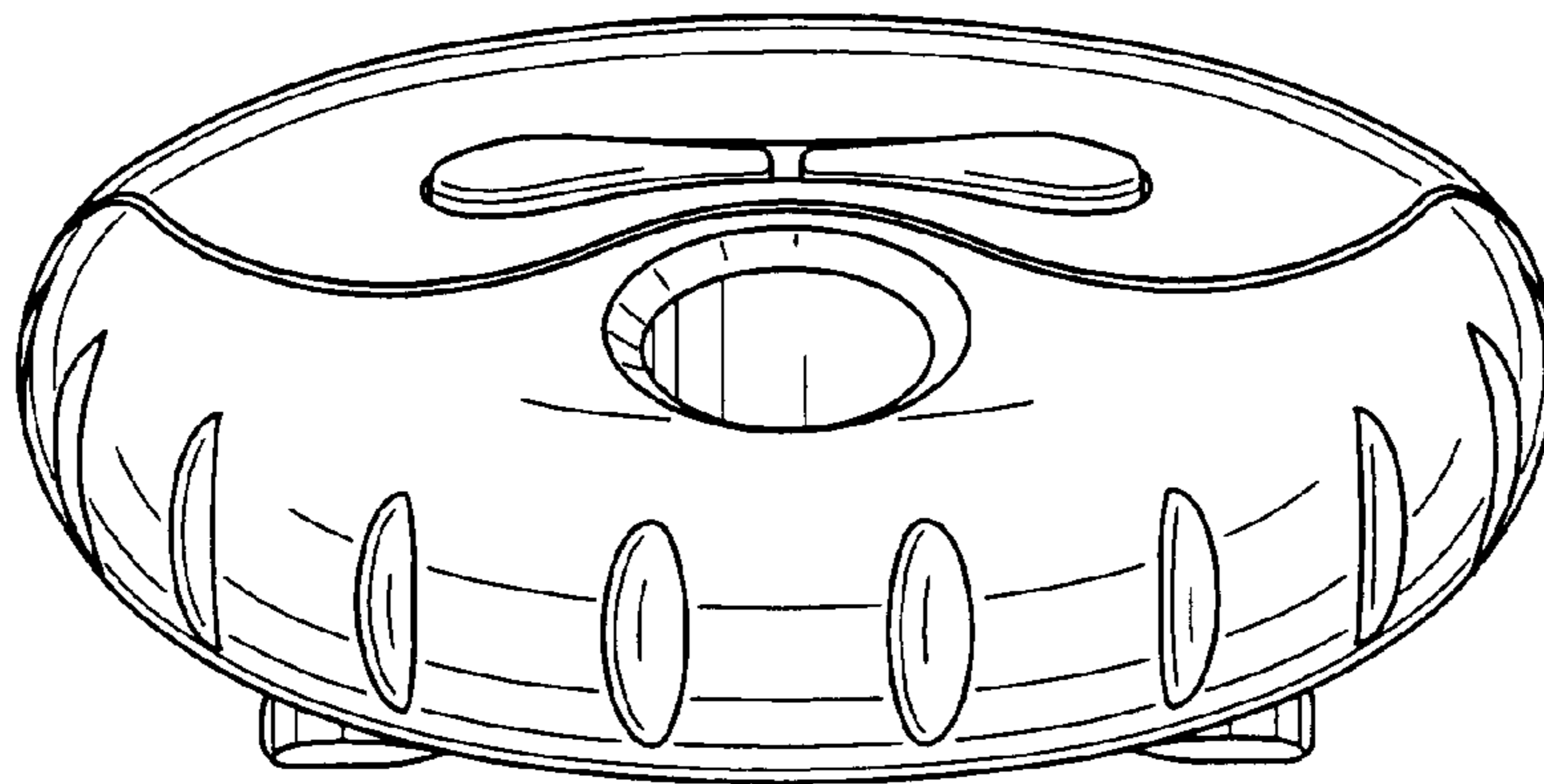


FIG. 7