



US00D525888S

(12) **United States Design Patent**
Porter

(10) **Patent No.:** **US D525,888 S**

(45) **Date of Patent:** **** Aug. 1, 2006**

(54) **BACK UP SENSOR**

(76) Inventor: **William Porter**, 4404 Seashore Dr.,
Newport Beach, CA (US) 92663

(**) Term: **14 Years**

(21) Appl. No.: **29/223,434**

(22) Filed: **Feb. 14, 2005**

(51) **LOC (8) Cl.** **10-04**

(52) **U.S. Cl.** **D10/70**

(58) **Field of Classification Search** D10/70;
356/5.1, 5.01, 5.12

See application file for complete search history.

(56) **References Cited**

U.S. PATENT DOCUMENTS

D163,328 S	5/1951	Rothman
D274,807 S	7/1984	Stansbury, Jr. et al.
D311,167 S	10/1990	Ching-Hwei
5,012,602 A	5/1991	Storey

D382,240 S	8/1997	Francis	
D396,439 S	7/1998	Turnquest	
D411,499 S	6/1999	Porter	
D478,518 S	* 8/2003	Porter D10/70

* cited by examiner

Primary Examiner—Antoine D. Davis

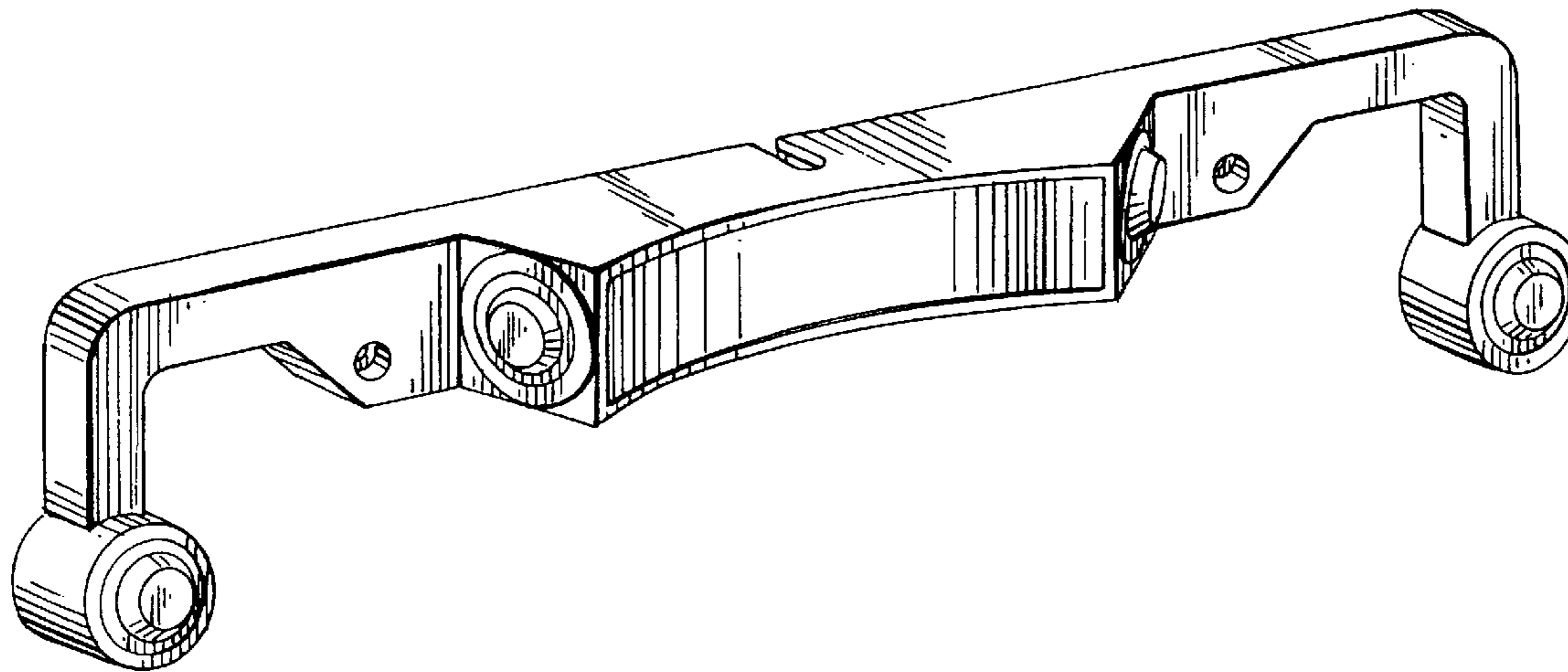
(57) **CLAIM**

The ornamental design for a back up sensor, as shown and described.

DESCRIPTION

FIG. 1 is a perspective view of the back up sensor strip of the present invention;
FIG. 2 is a left side elevational view;
FIG. 3 is a right side elevational view;
FIG. 4 is a top plan view;
FIG. 5 is a front elevational view;
FIG. 6 is a bottom plan view; and,
FIG. 7 is a rear elevational view.

1 Claim, 2 Drawing Sheets



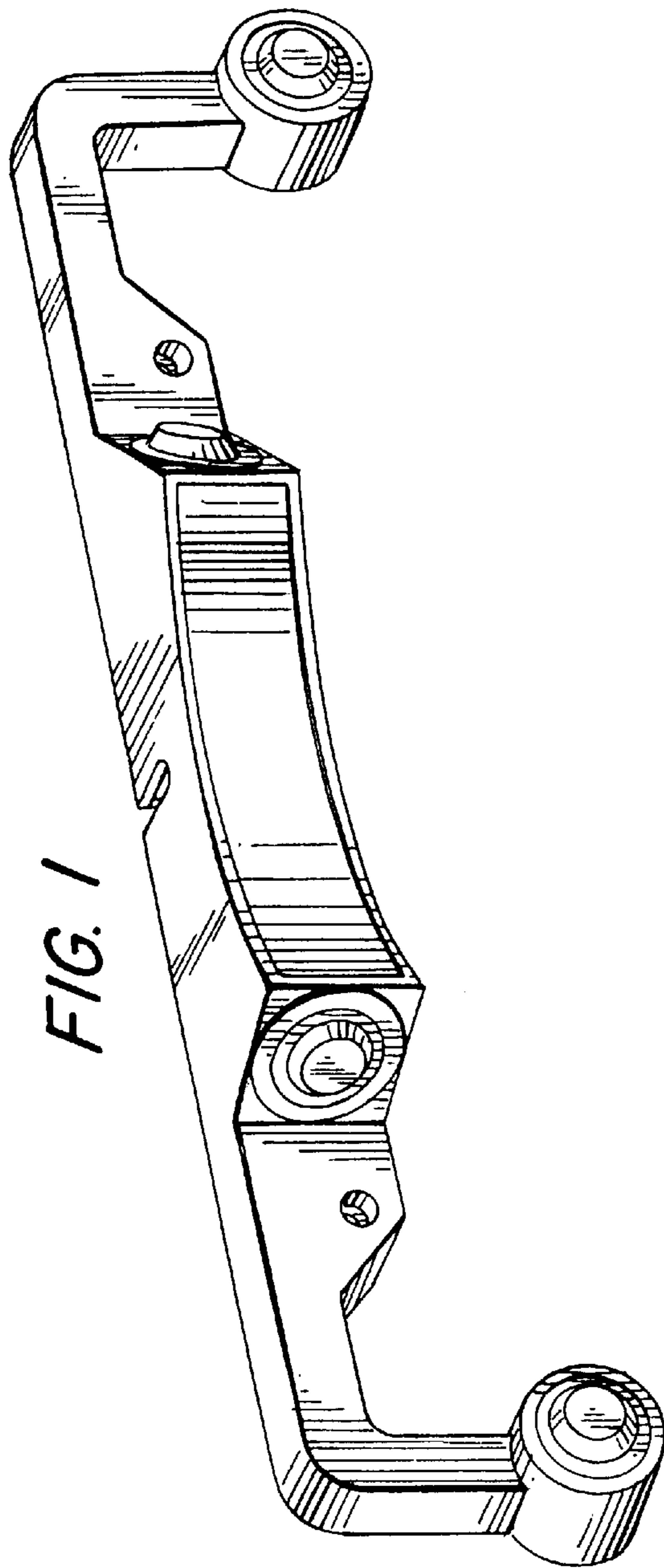


FIG. 3

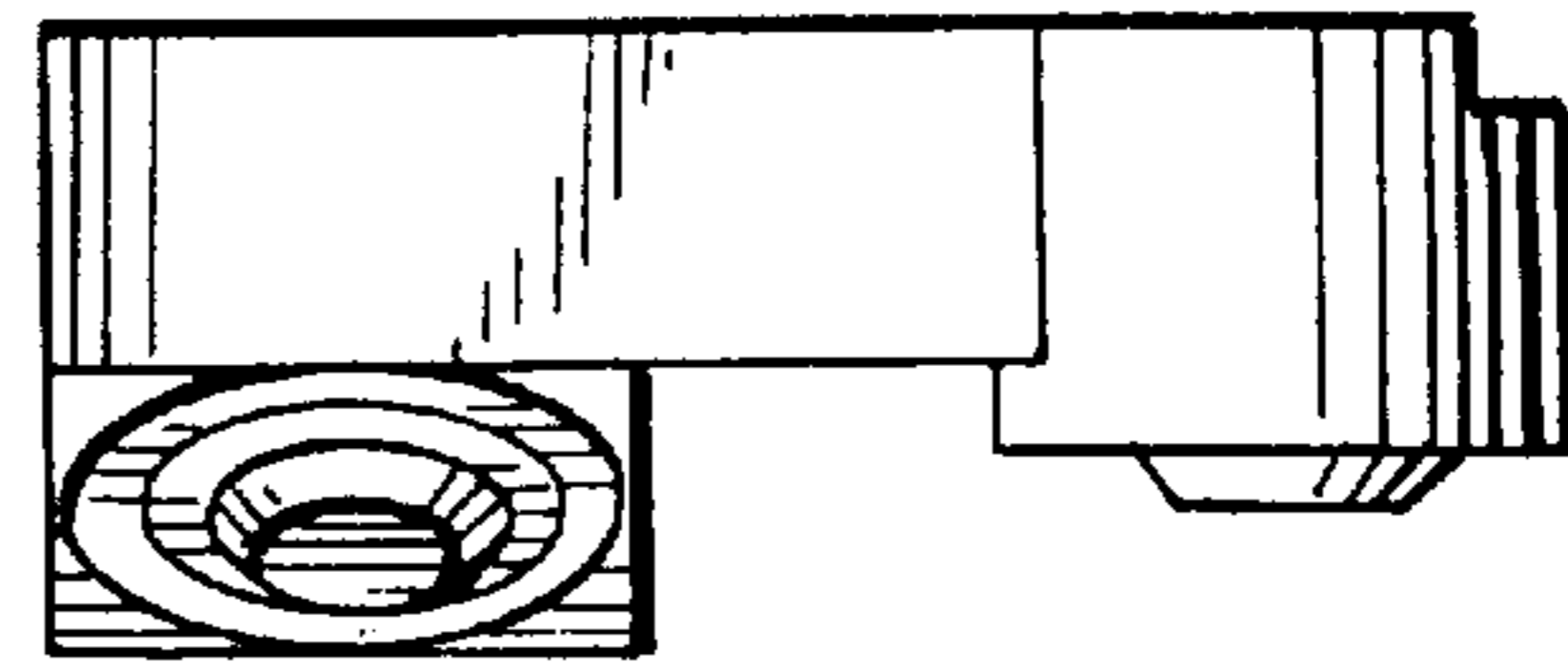


FIG. 2

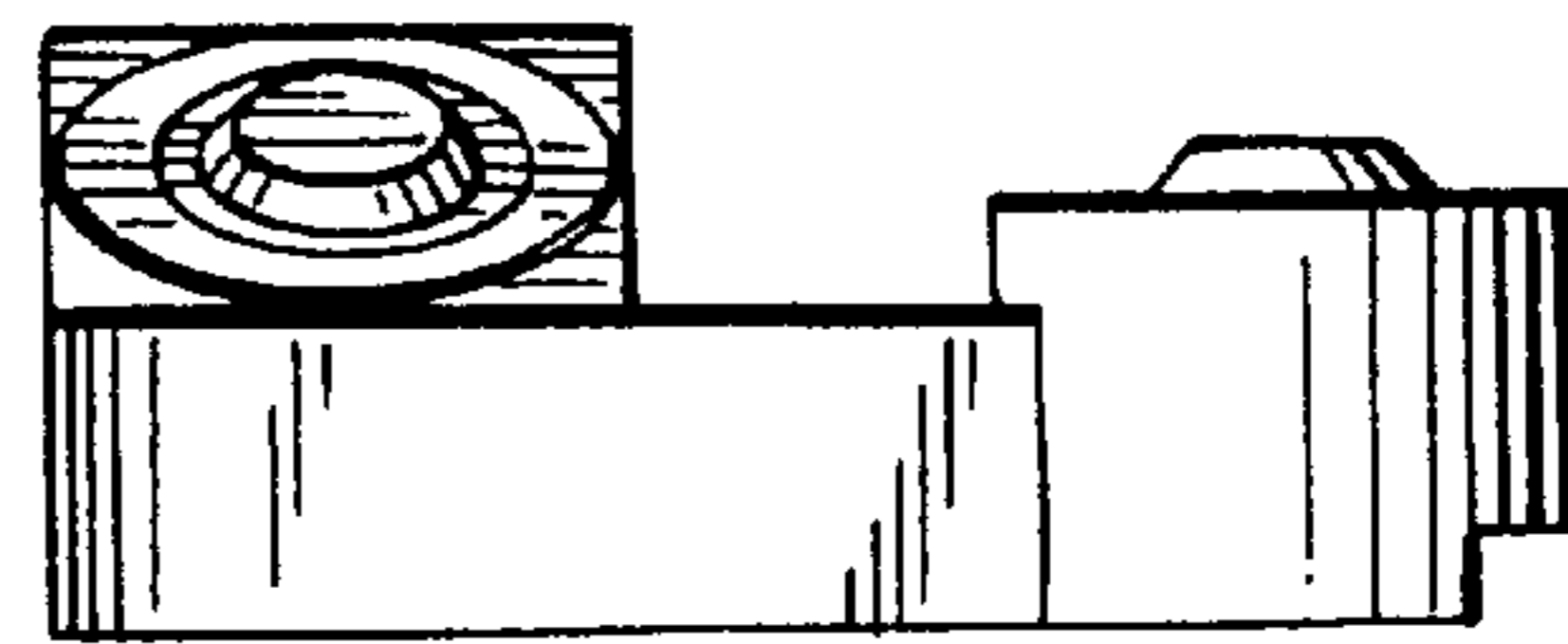


FIG. 4

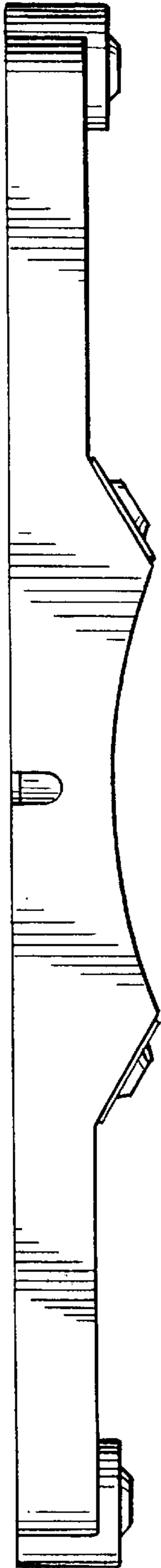


FIG. 5

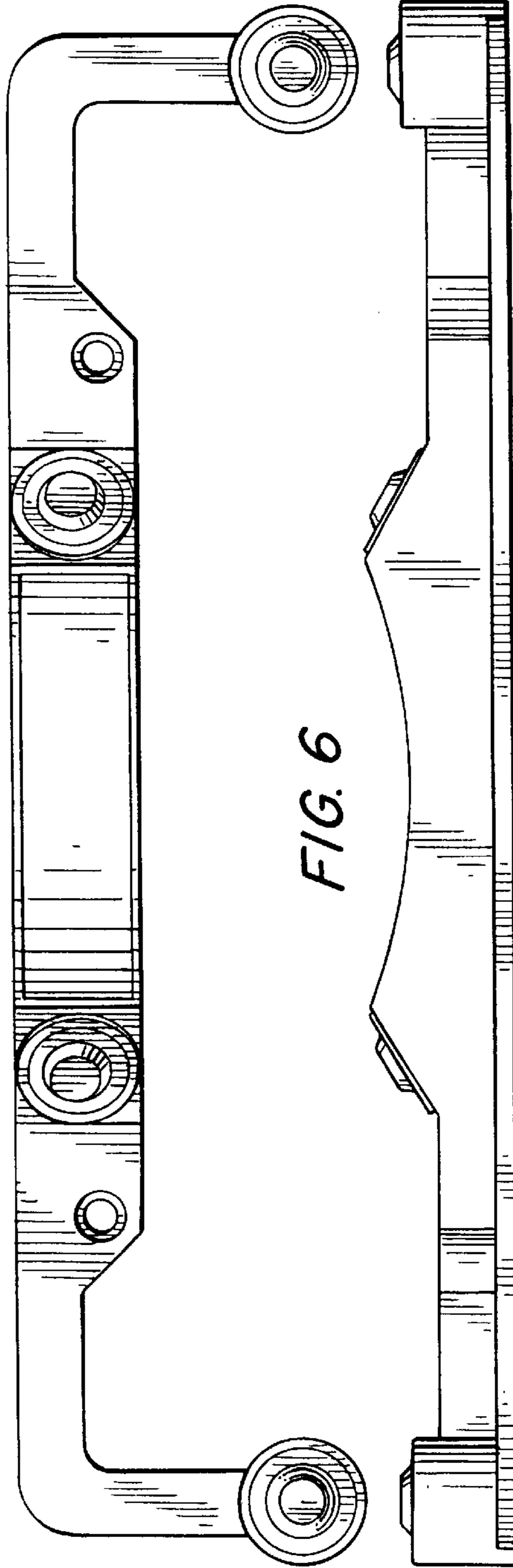


FIG. 6

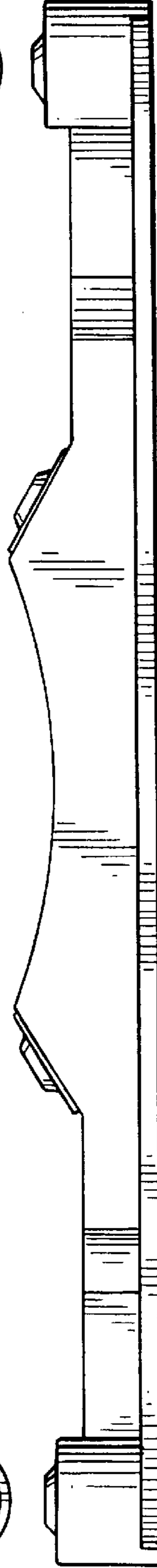


FIG. 7

