



US00D525887S

(12) **United States Design Patent**  
**Sanoner**

(10) **Patent No.:** **US D525,887 S**

(45) **Date of Patent:** **\*\* Aug. 1, 2006**

(54) **OUTDOOR THERMOMETER**

(76) Inventor: **Hughes Marie Sanoner**, Units A-C,  
18<sup>th</sup> Floor, CDW Building, 388 Castle  
Peak Road, Tsuen Wan, New Territories,  
Hong Kong SAR (HK)

(\*\*) Term: **14 Years**

(21) Appl. No.: **29/239,830**

(22) Filed: **Oct. 4, 2005**

(51) **LOC (8) Cl.** ..... **10-04**

(52) **U.S. Cl.** ..... **D10/57**

(58) **Field of Classification Search** ..... D10/57;  
374/100-209

See application file for complete search history.

(56) **References Cited**

**U.S. PATENT DOCUMENTS**

D312,216 S \* 11/1990 Nadzak et al. .... D10/57

D385,499 S \* 10/1997 Weiss ..... D10/57

D488,396 S \* 4/2004 Terice ..... D10/57

\* cited by examiner

*Primary Examiner*—Antoine D. Davis

(74) *Attorney, Agent, or Firm*—Alix, Yale & Ristas, LLP

(57) **CLAIM**

The ornamental design for an outdoor thermometer, as shown and described.

**DESCRIPTION**

FIG. 1 is a front, right side and top perspective view of an outdoor thermometer showing my new design;

FIG. 2 is a front elevational view thereof;

FIG. 3 is a rear elevational view thereof;

FIG. 4 is a left side elevational view thereof; the right side elevational view being a mirror image;

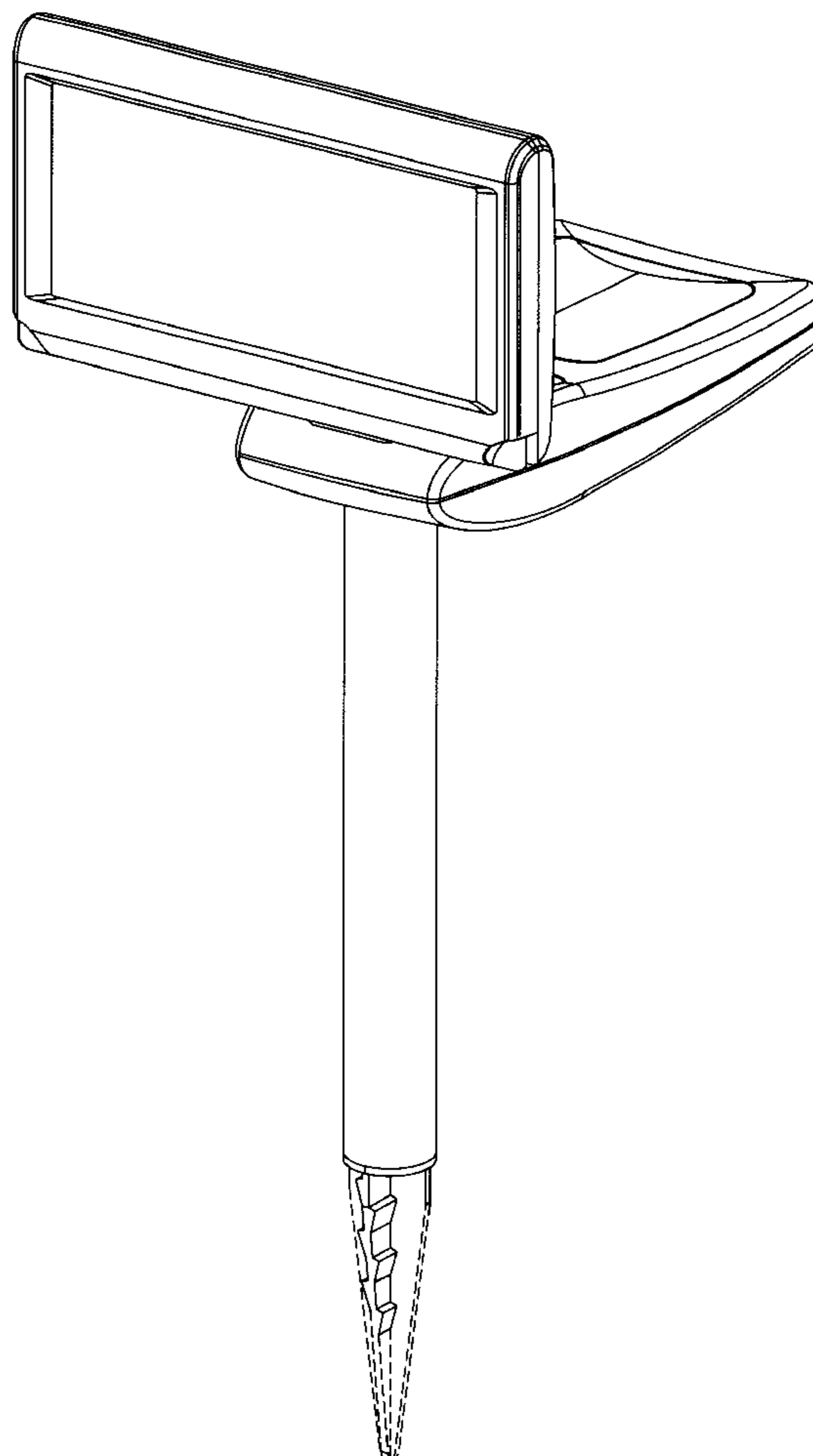
FIG. 5 is a top plan view thereof;

FIG. 6 is a bottom plan view thereof; and,

FIG. 7 is a left side view thereof, with its parts in different positions.

The broken line showing is for illustrative purposes only and forms no part of the claimed design.

**1 Claim, 6 Drawing Sheets**



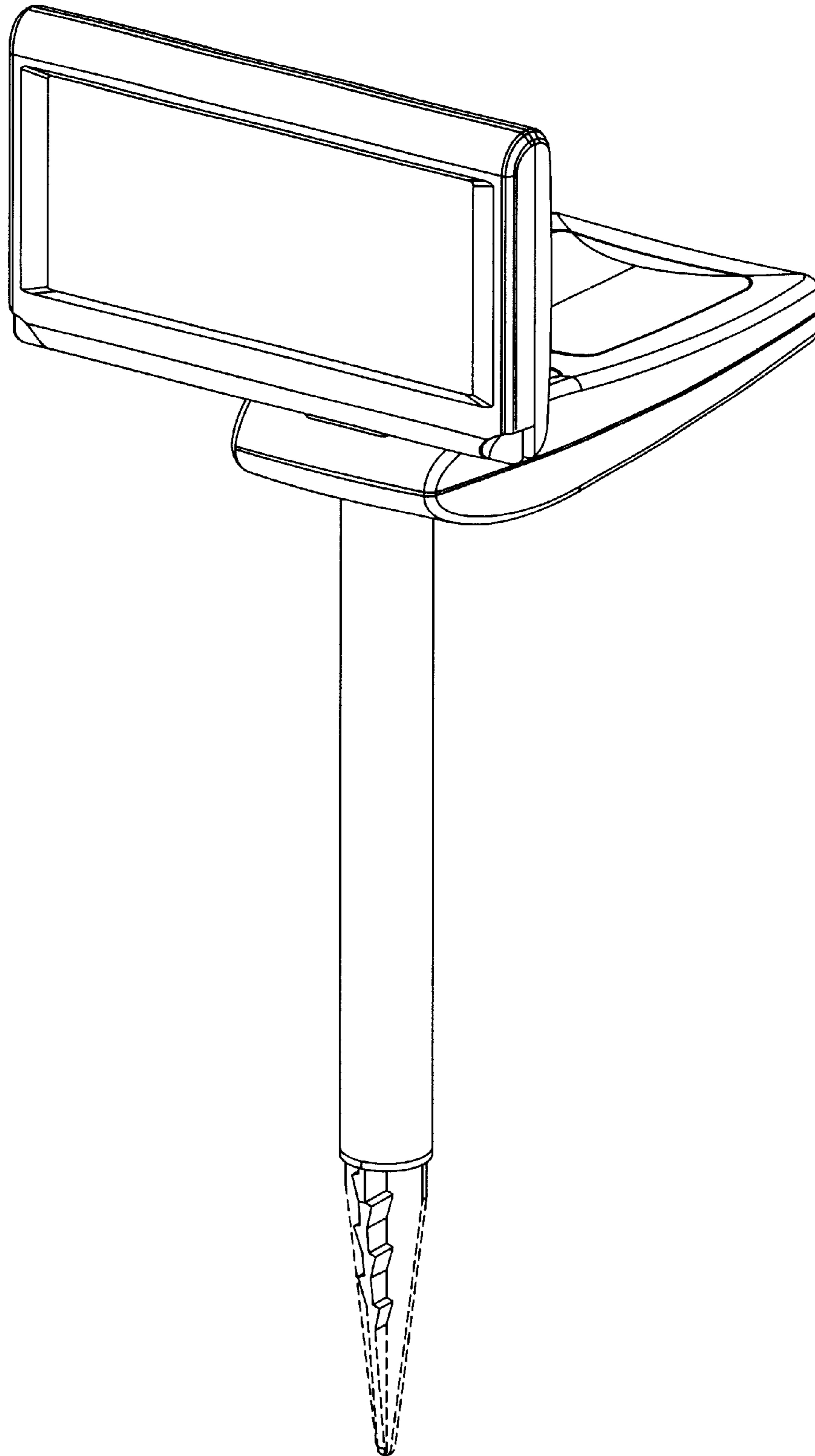


FIG. 1

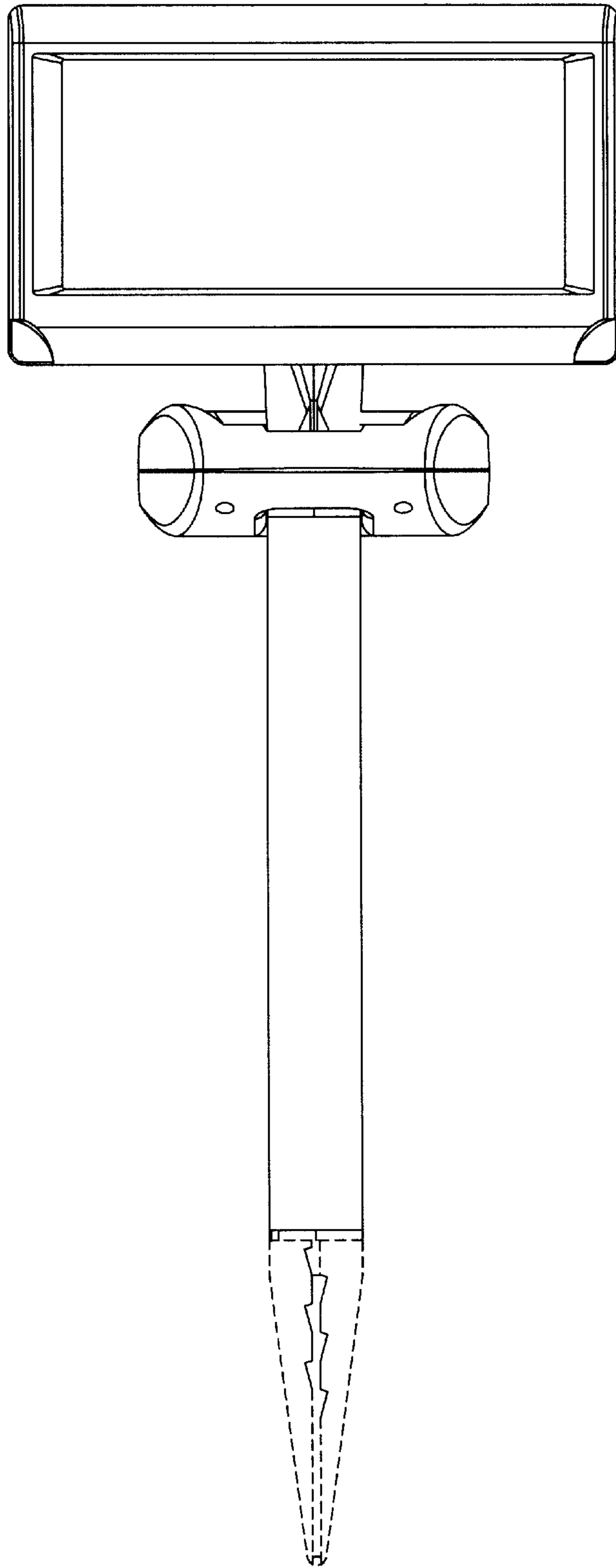


FIG. 2

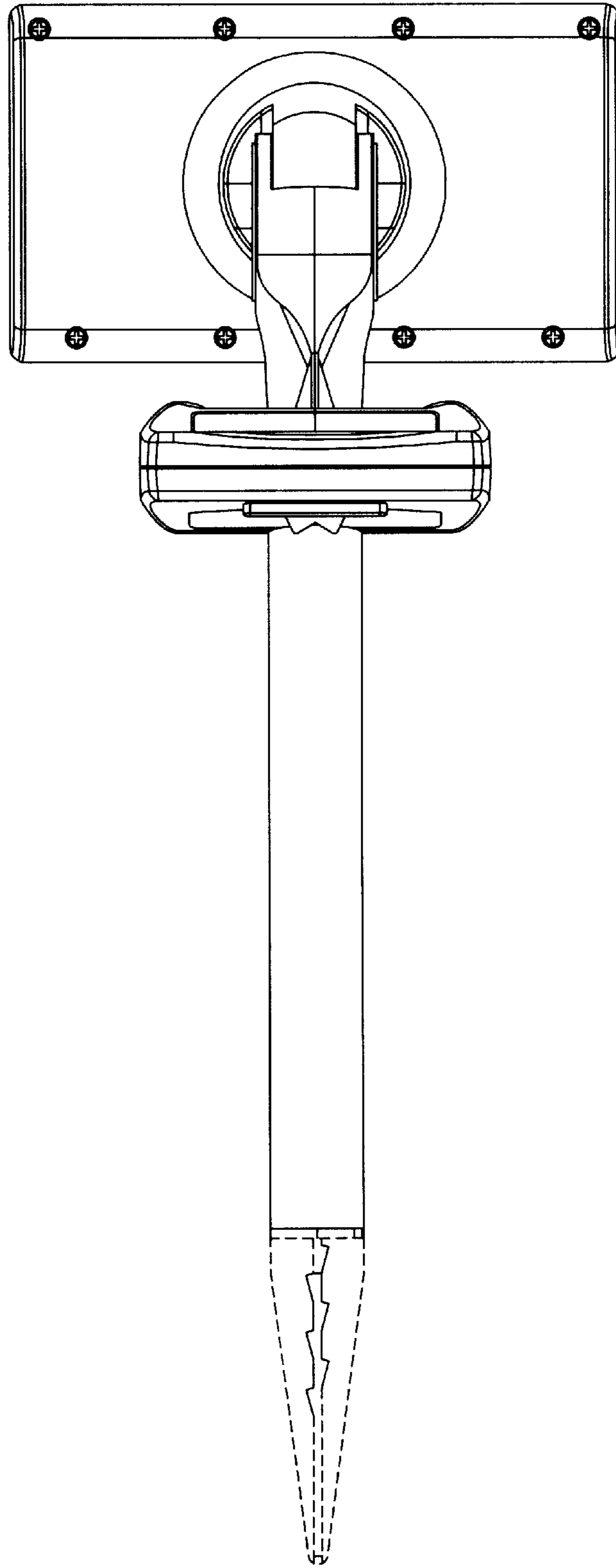


FIG. 3

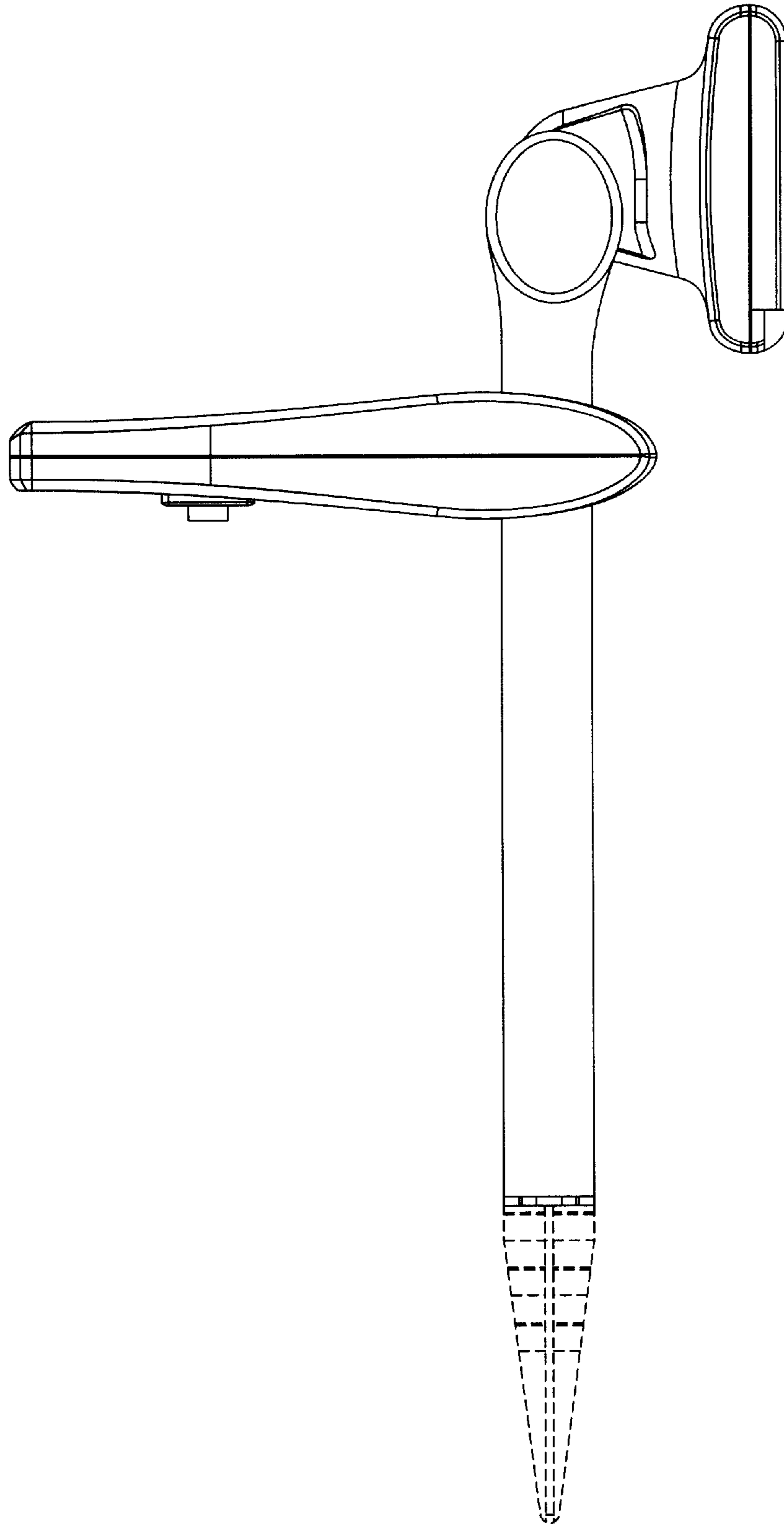


FIG. 4

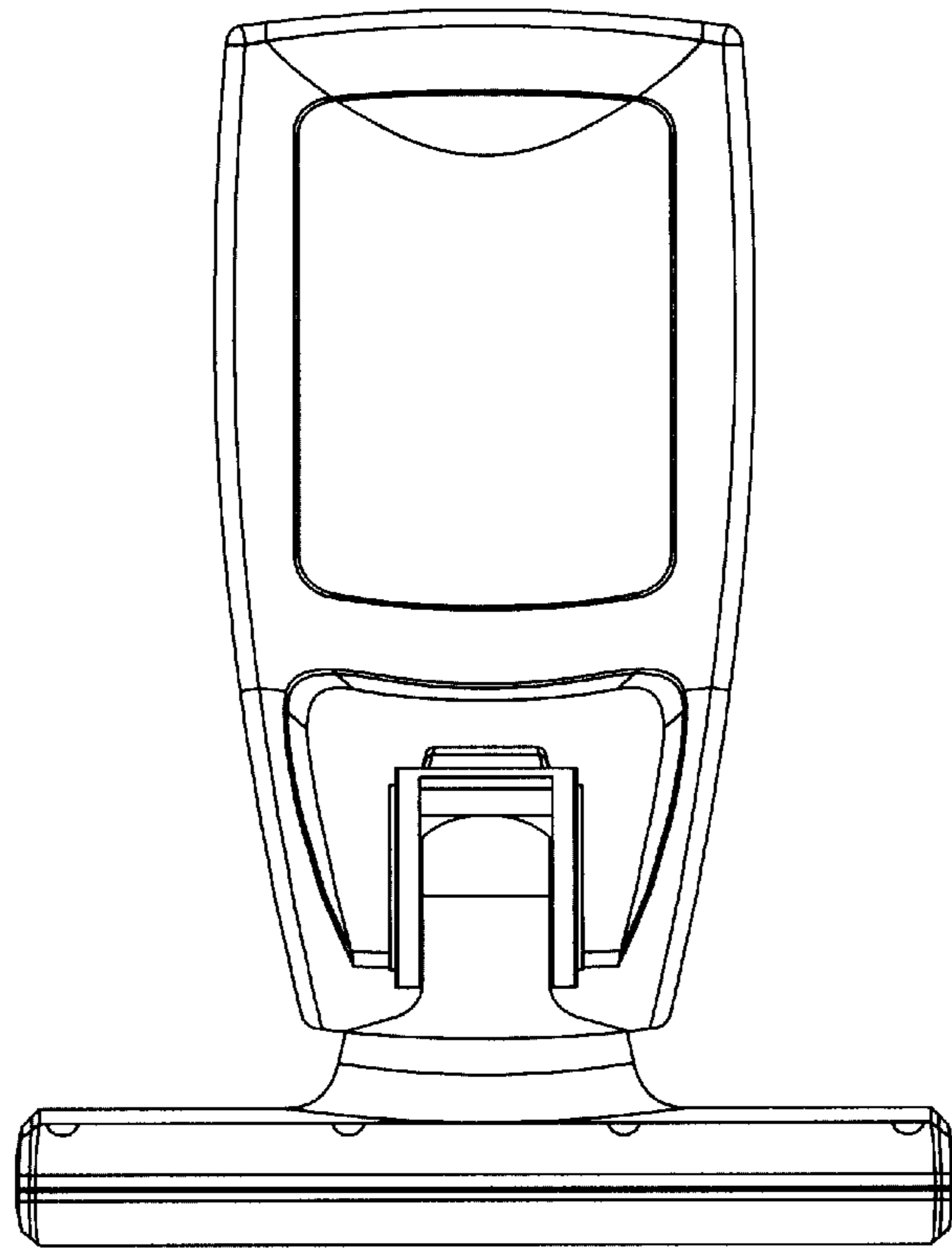


FIG. 5

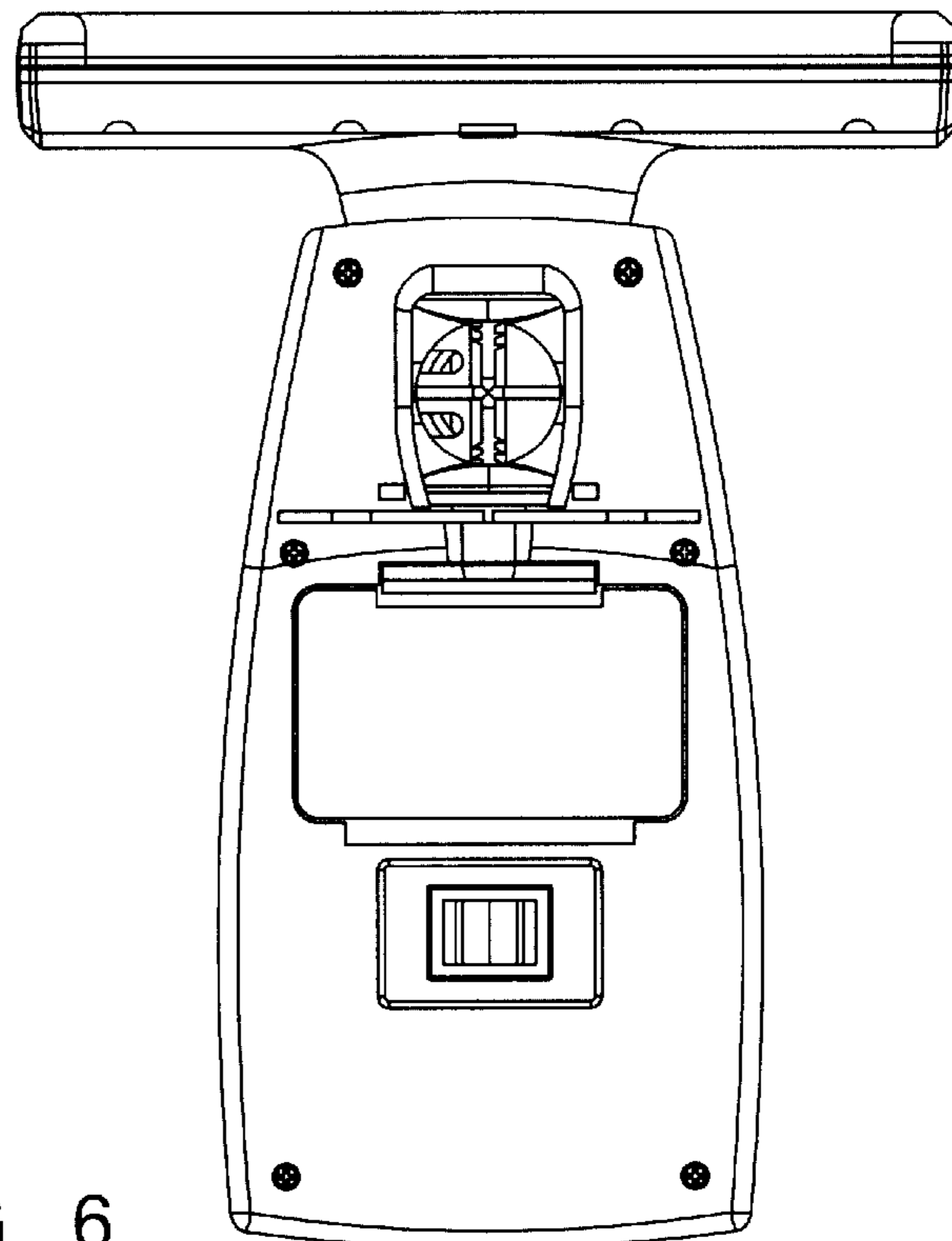


FIG. 6

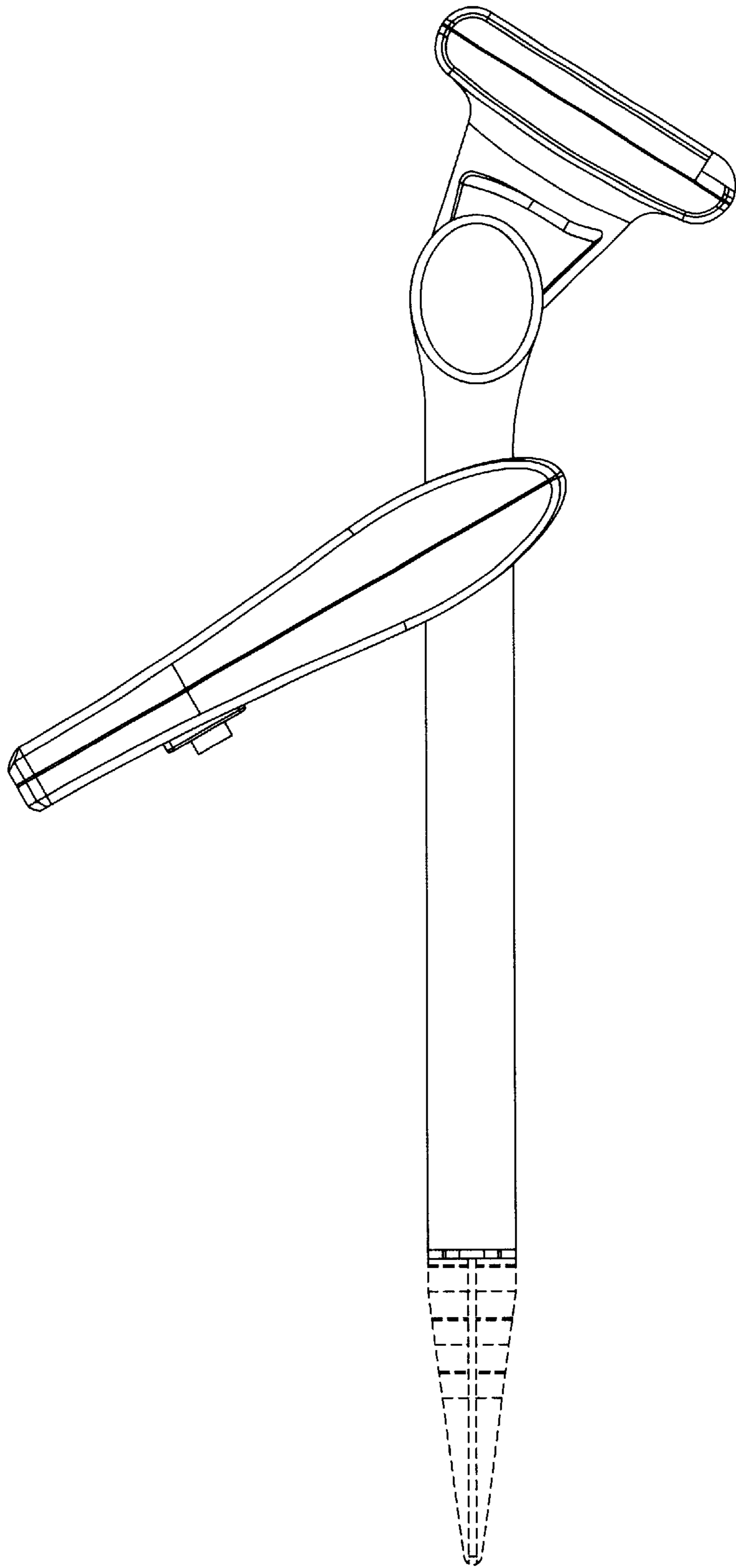


FIG. 7