

US00D525880S

(12) **United States Design Patent**
Okamura

(10) **Patent No.:** **US D525,880 S**

(45) **Date of Patent:** **** Aug. 1, 2006**

(54) **ALARM CLOCK WITH VOICE RECORDER**

(76) Inventor: **Charlie Toyokazu Okamura**, 8691
Oasis Ave., Westminster, CA (US)
92683

(**) Term: **14 Years**

(21) Appl. No.: **29/231,531**

(22) Filed: **Jun. 8, 2005**

(51) **LOC (8) Cl.** **10-01**

(52) **U.S. Cl.** **D10/2; D1/15; D1/22**

(58) **Field of Classification Search** D10/1-29,
D10/122-132; 368/276-278, 280-285, 223,
368/10, 316, 317, 274, 28-30, 239-242,
368/244, 262, 82-84, 263, 256

See application file for complete search history.

(56) **References Cited**

U.S. PATENT DOCUMENTS

D90,935 S	*	10/1933	Barrett	D10/15
D98,769 S	*	3/1936	Horwitt	D10/15
D153,420 S	*	4/1949	Dekanski	D10/15
D276,703 S	*	12/1984	Au	D10/15
4,508,457 A		4/1985	Aizawa		
D304,018 S		10/1989	Nomizu		

D304,161 S	*	10/1989	Nomizu	D10/21
D312,408 S	*	11/1990	Isobe	D10/15
D312,414 S	*	11/1990	Wada	D10/28
5,027,409 A		6/1991	Sakamoto		
5,511,046 A		4/1996	Vanderpal		
5,555,536 A		9/1996	Rolf		
5,708,627 A		1/1998	Gormley		
D460,362 S	*	7/2002	Kalman	D10/22
6,595,683 B1	*	7/2003	Cetera	368/316
D478,890 S	*	8/2003	Ng	D14/170

* cited by examiner

Primary Examiner—Lucy Lieberman

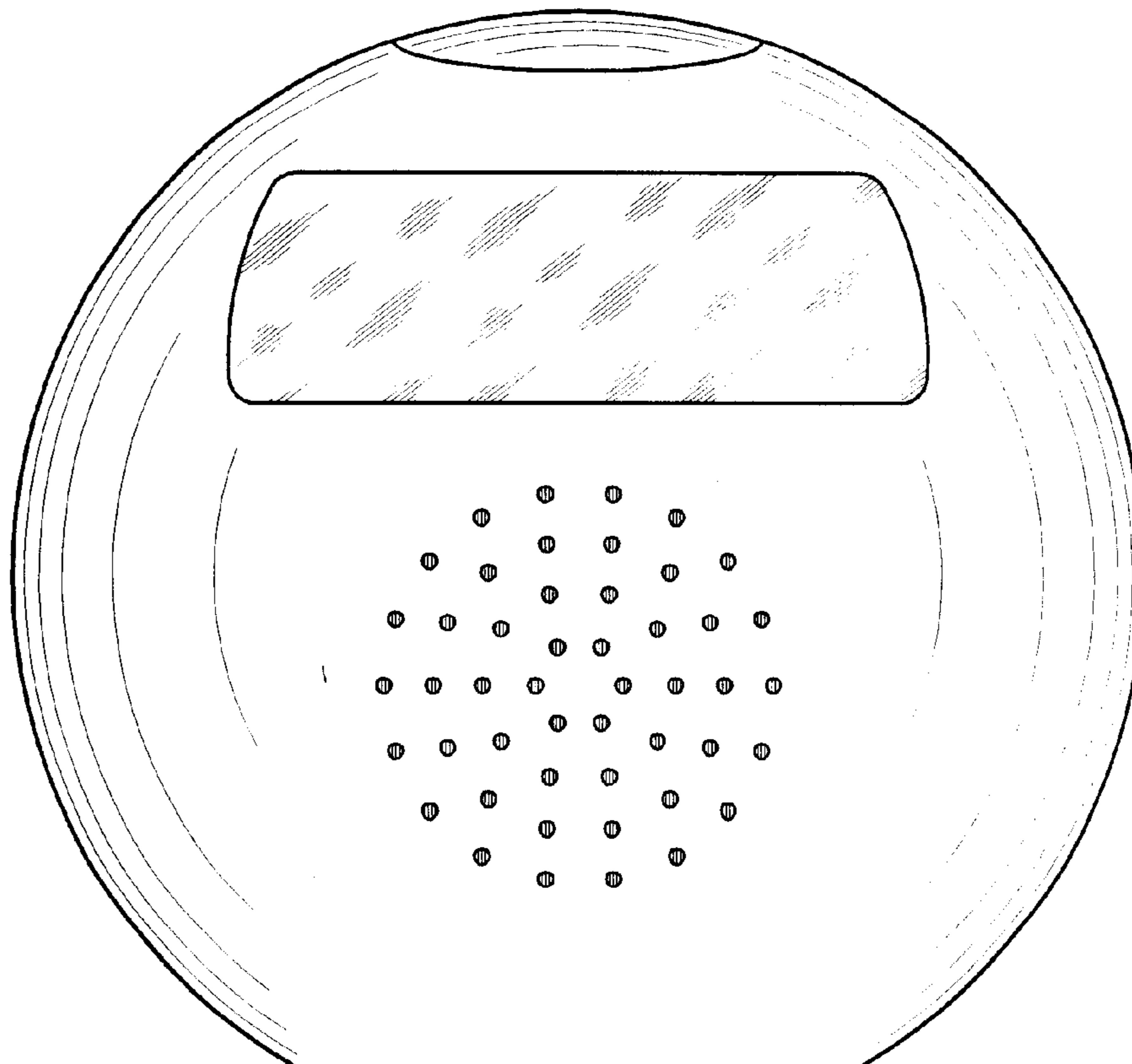
(57) **CLAIM**

The ornamental design for an alarm clock with voice recorder, as shown.

DESCRIPTION

FIG. 1 is a front elevation of an alarm clock with voice recorder showing my new design; FIG. 2 is a rear view of my design; FIG. 3 is a side view of the design; FIG. 4 is a top plan view thereof; and, FIG. 5 is a bottom plan view thereof.

1 Claim, 3 Drawing Sheets



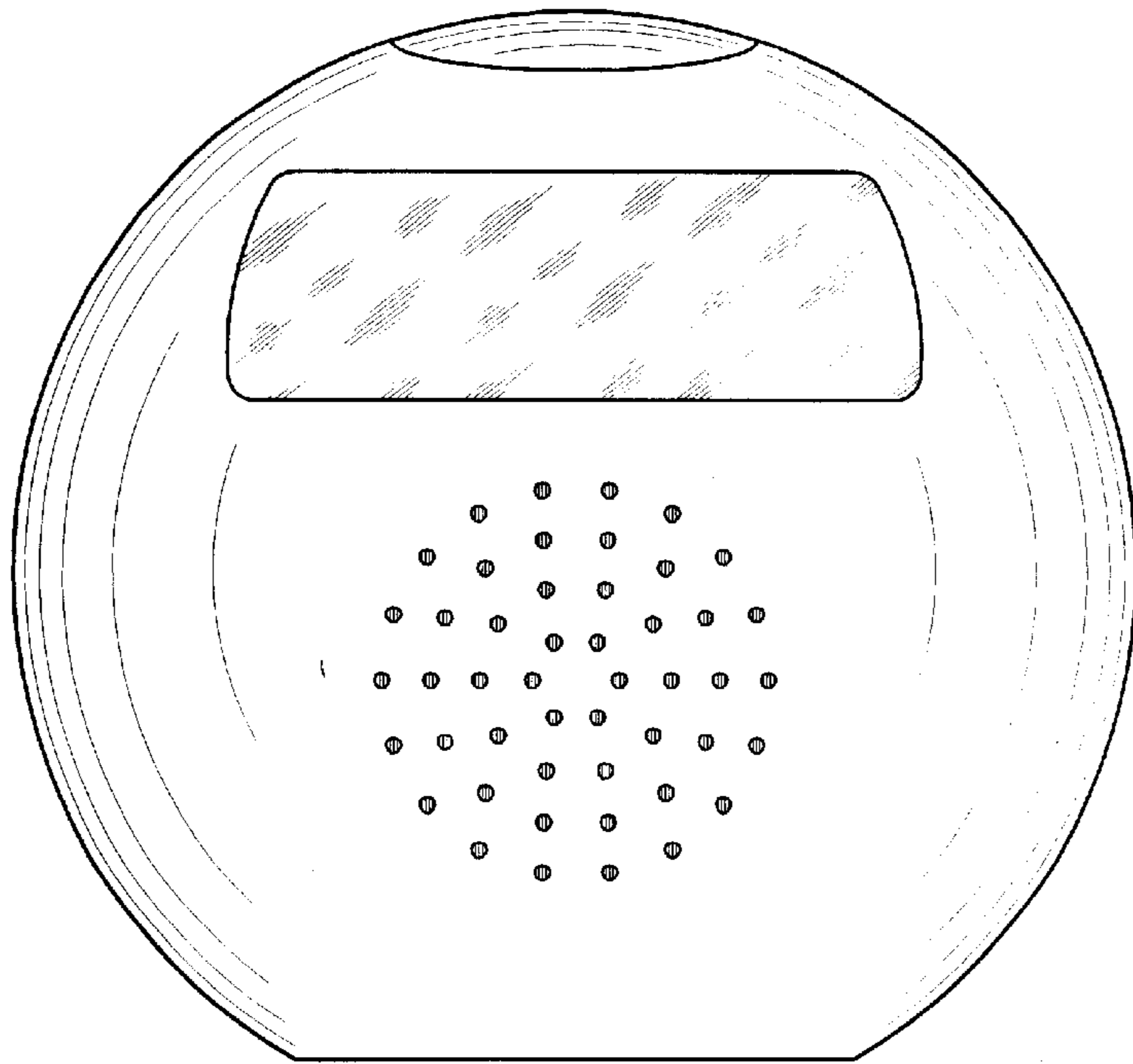


FIG. 1

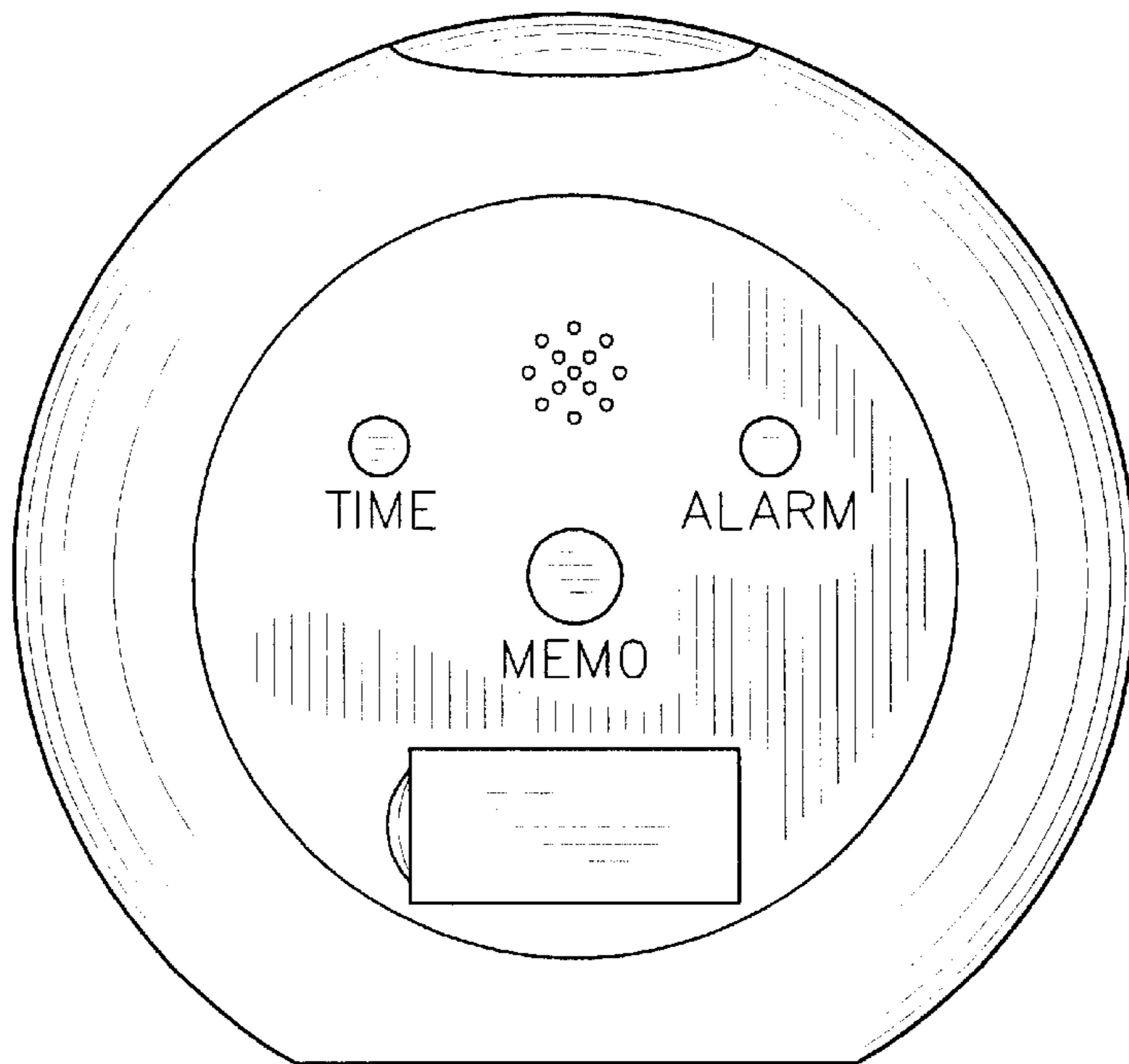


FIG. 2

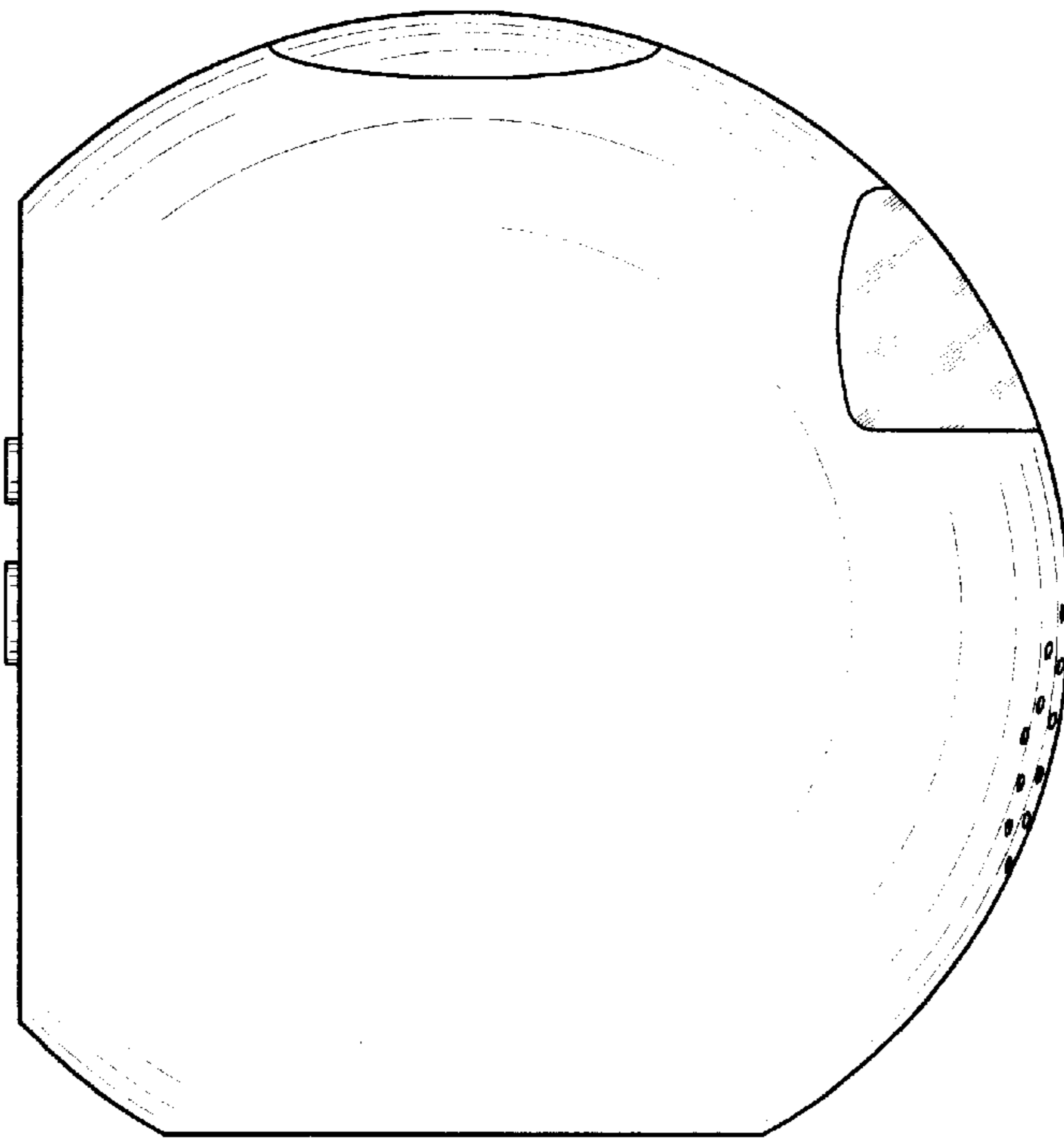


FIG. 3

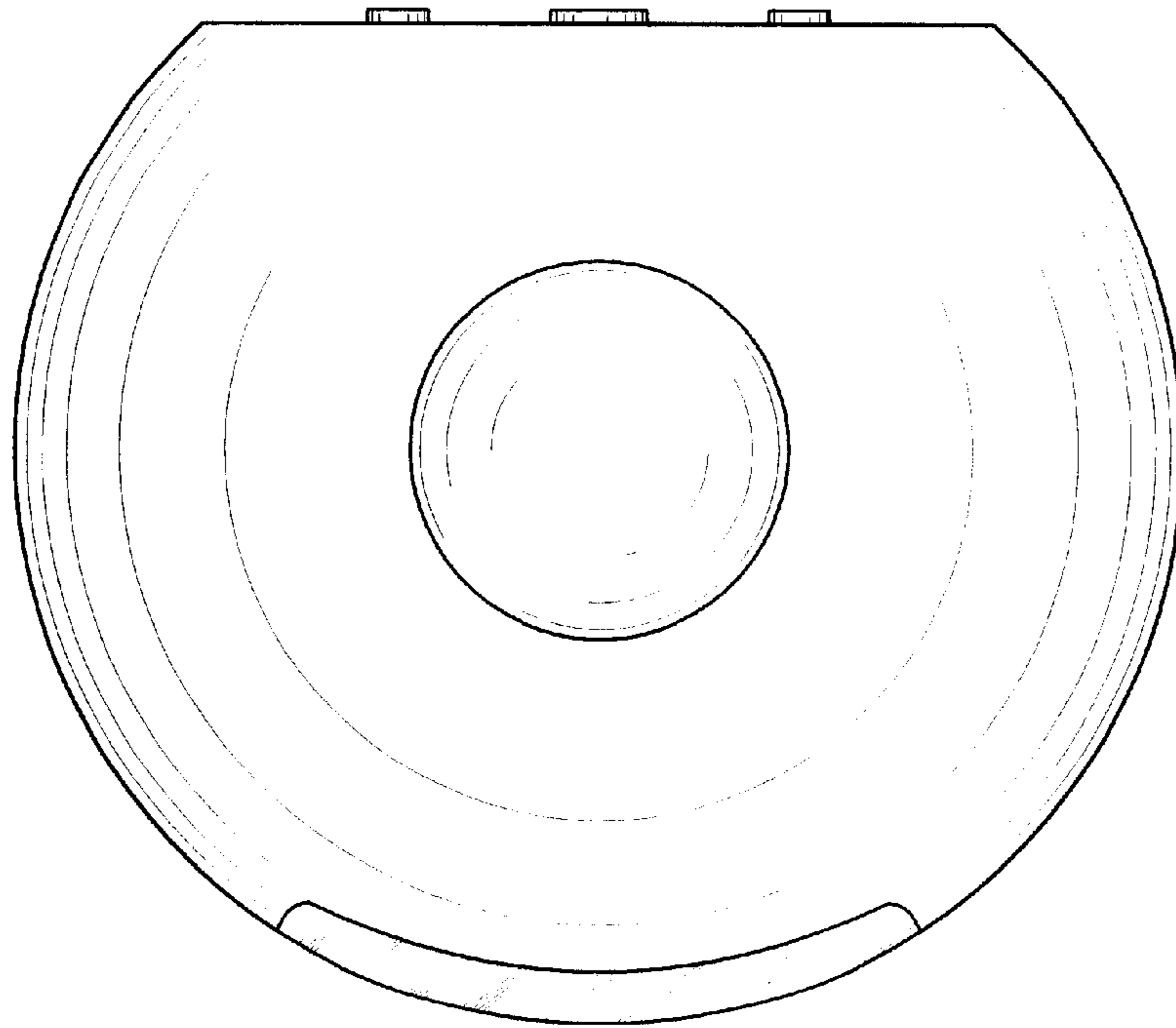


FIG. 4

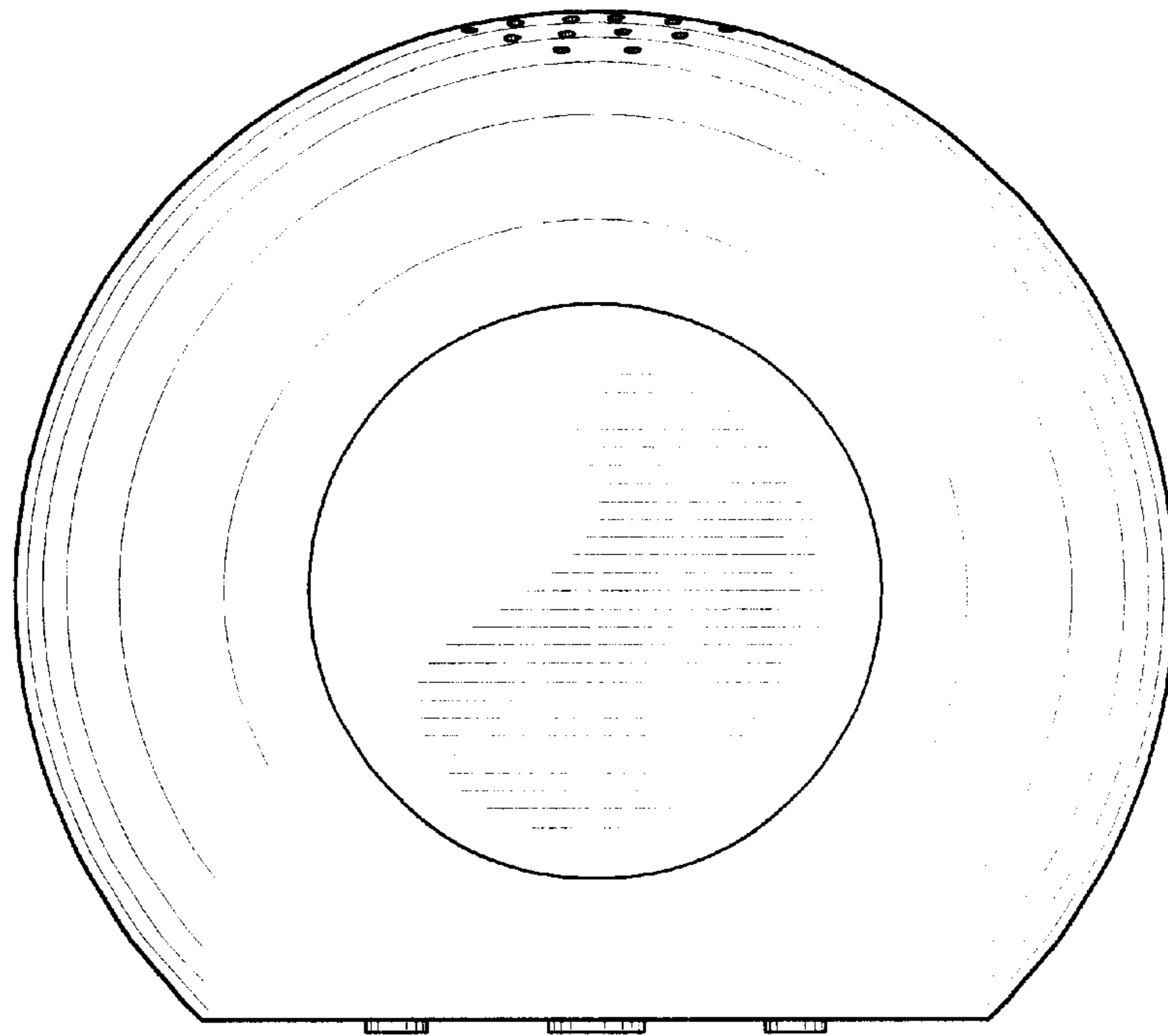


FIG. 5