



US00D525867S

(12) **United States Design Patent**
Correll

(10) **Patent No.:** **US D525,867 S**

(45) **Date of Patent:** **** Aug. 1, 2006**

(54) **COVER PANEL OF A BOX BLANK**

(76) Inventor: **John D. Correll**, 8459 Holly Dr.,
Canton, MI (US) 48187-4237

(**) Term: **14 Years**

(21) Appl. No.: **29/239,792**

(22) Filed: **Oct. 4, 2005**

(51) **LOC (8) Cl.** **09-03**

(52) **U.S. Cl.** **D9/433**

(58) **Field of Classification Search** D9/430-433,
D9/414; 229/117, 162, 939, 105; 206/448,
206/45.21

See application file for complete search history.

(56) **References Cited**

U.S. PATENT DOCUMENTS

D371,296 S	*	7/1996	Correll	D9/456
5,715,992 A	*	2/1998	Andrews et al.	229/125.15
D394,388 S	*	5/1998	Correll	D9/433
D400,438 S	*	11/1998	Correll	D9/433
5,918,797 A		7/1999	Correll		
5,961,035 A	*	10/1999	Correll	229/110
D427,526 S	*	7/2000	Correll	D9/433
6,135,289 A	*	10/2000	Miller	206/774
D436,533 S	*	1/2001	Correll	D9/433

6,749,106 B1 * 6/2004 Keefe et al. 229/110

* cited by examiner

Primary Examiner—Stella Reid

Assistant Examiner—Mark Goodwin

(57) **CLAIM**

I claim the ornamental design for a cover panel of a box blank, as shown and described.

DESCRIPTION

FIG. 1 is a top perspective view of a cover panel of a box blank showing my new design, the broken line showing of the adjacent appended components is for illustrative purposes only and forms no part of the claimed design;

FIG. 2 is a top plan view of the cover panel; the bottom view being identical.

FIG. 3 is a front elevation view of the cover panel;

FIG. 4 is a right side elevation view of the cover panel;

FIG. 5 is a left side elevation view of the cover panel; and,

FIG. 6 is a rear elevation view of the cover panel.

My cover panel is characterized by opposing front and rear edges and opposing left and right side edges, with the left and right side edges being non-parallel and converging toward one another as they extend from front to rear, except for a section at the rear end of each of the left and right side edges where the edge swings outwardly in a convex arc and intersects an end of the rear edge.

1 Claim, 2 Drawing Sheets

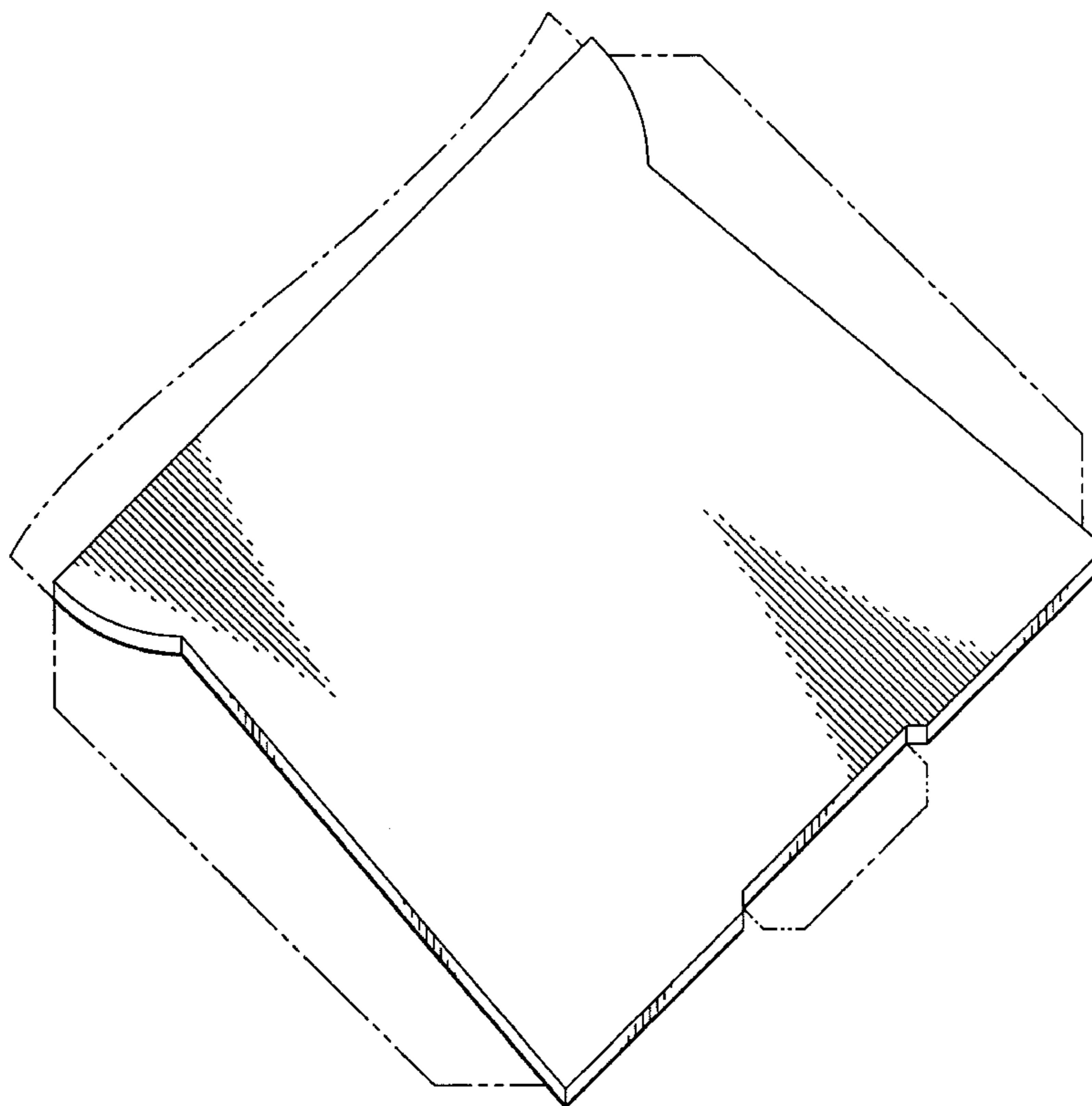


FIG. 1

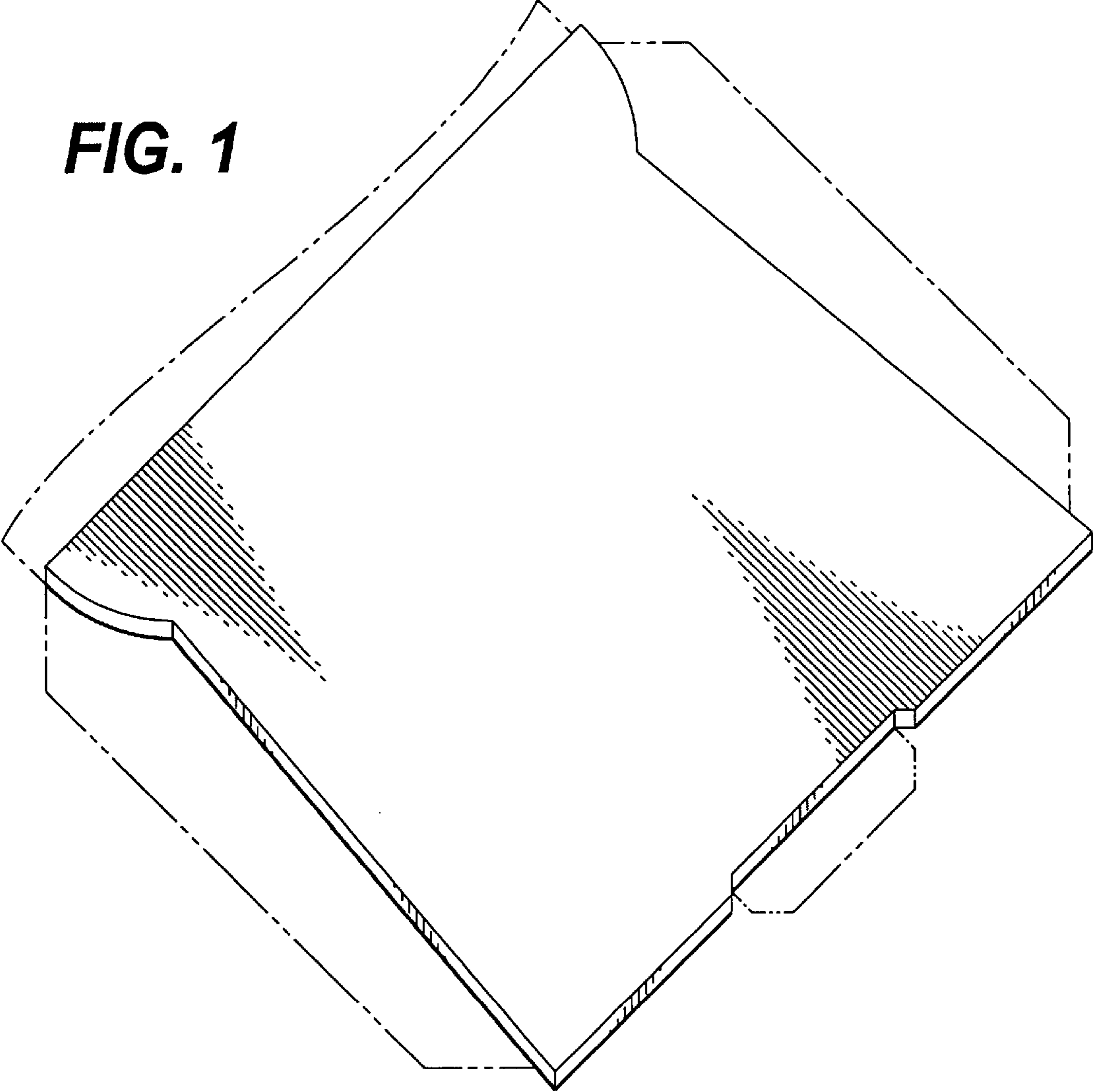


FIG. 2

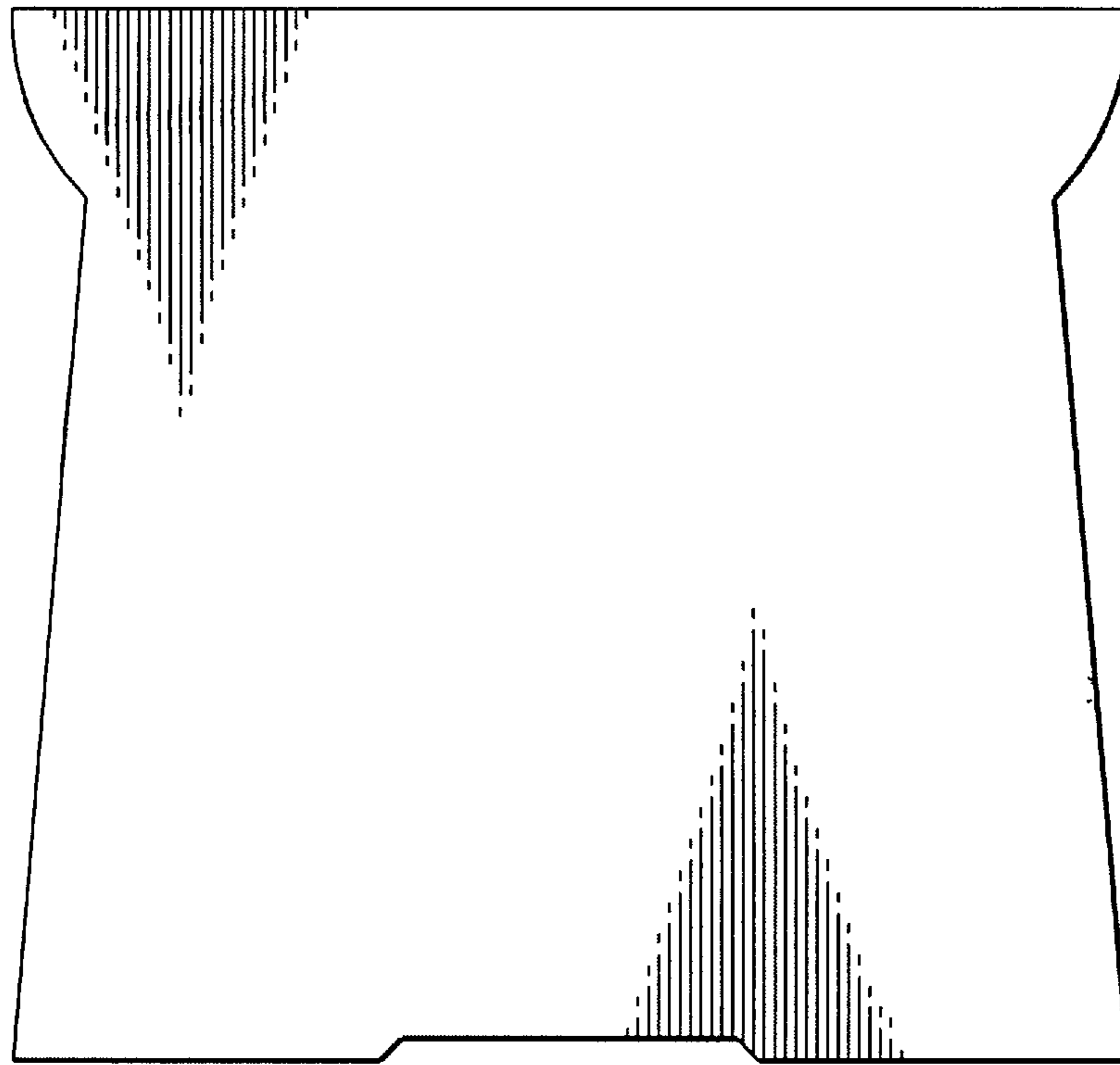


FIG. 3



FIG. 4



FIG. 5



FIG. 6

