



US00D525865S

(12) **United States Design Patent**
Cavero et al.

(10) **Patent No.: US D525,865 S**

(45) **Date of Patent: ** Aug. 1, 2006**

(54) **COMESTIBLE PRODUCT DISPENSER**

(56) **References Cited**

(75) Inventors: **Dio C. Cavero**, Port Washington, NY (US); **Raymond E. Clepper**, Brooklyn, NY (US); **Charles Curtiss**, Norwalk, CT (US); **James Luke Jenkins**, Jersey City, NJ (US); **Sungeun Kim**, New York, NY (US); **Stuart Leslie**, Larchmont, NY (US); **Justin Waldinger**, Lic, NY (US)

U.S. PATENT DOCUMENTS

5,169,018 A * 12/1992 Fiore 220/318
D343,768 S * 2/1994 Cautereels et al. D7/629
D353,744 S * 12/1994 Ferris et al. D7/629
5,405,007 A * 4/1995 Iwahashi 206/387.1
6,230,931 B1 * 5/2001 Mandle et al. 221/247

* cited by examiner

(73) Assignee: **Wm. Wrigley Jr. Company**, Chicago, IL (US)

Primary Examiner—Prabhakar Deshmukh

(**) Term: **14 Years**

(74) *Attorney, Agent, or Firm*—Bell, Boyd & Lloyd LLC

(21) Appl. No.: **29/253,031**

(57) **CLAIM**

(22) Filed: **Jan. 30, 2006**

We claim the ornamental design for a comestible product dispenser, as shown and described.

Related U.S. Application Data

DESCRIPTION

(62) Division of application No. 29/220,768, filed on Jan. 4, 2005.

FIG. 1 is a top, front and left side perspective view of a cosmetic product dispenser showing our new design.

(51) **LOC (8) Cl.** **09-07**

FIG. 2 illustrates a left side elevation view thereof.

(52) **U.S. Cl.** **D9/420; D9/422**

FIG. 3 illustrates a right side elevation view thereof.

(58) **Field of Classification Search** D9/416, D9/417, 422, 432, 420-423; D3/304, 305, D3/297, 294; 229/122, 221, 117.14, 117.22; 206/232, 424, 295; 221/282, 288, 303-306, 221/312 C; 220/810, 827, 843; 211/104, 211/86.01

FIG. 4 illustrates a top plan view thereof.

FIG. 5 illustrates a bottom plan view thereof; and,

FIG. 6 illustrates a front elevation view thereof.

See application file for complete search history.

1 Claim, 3 Drawing Sheets

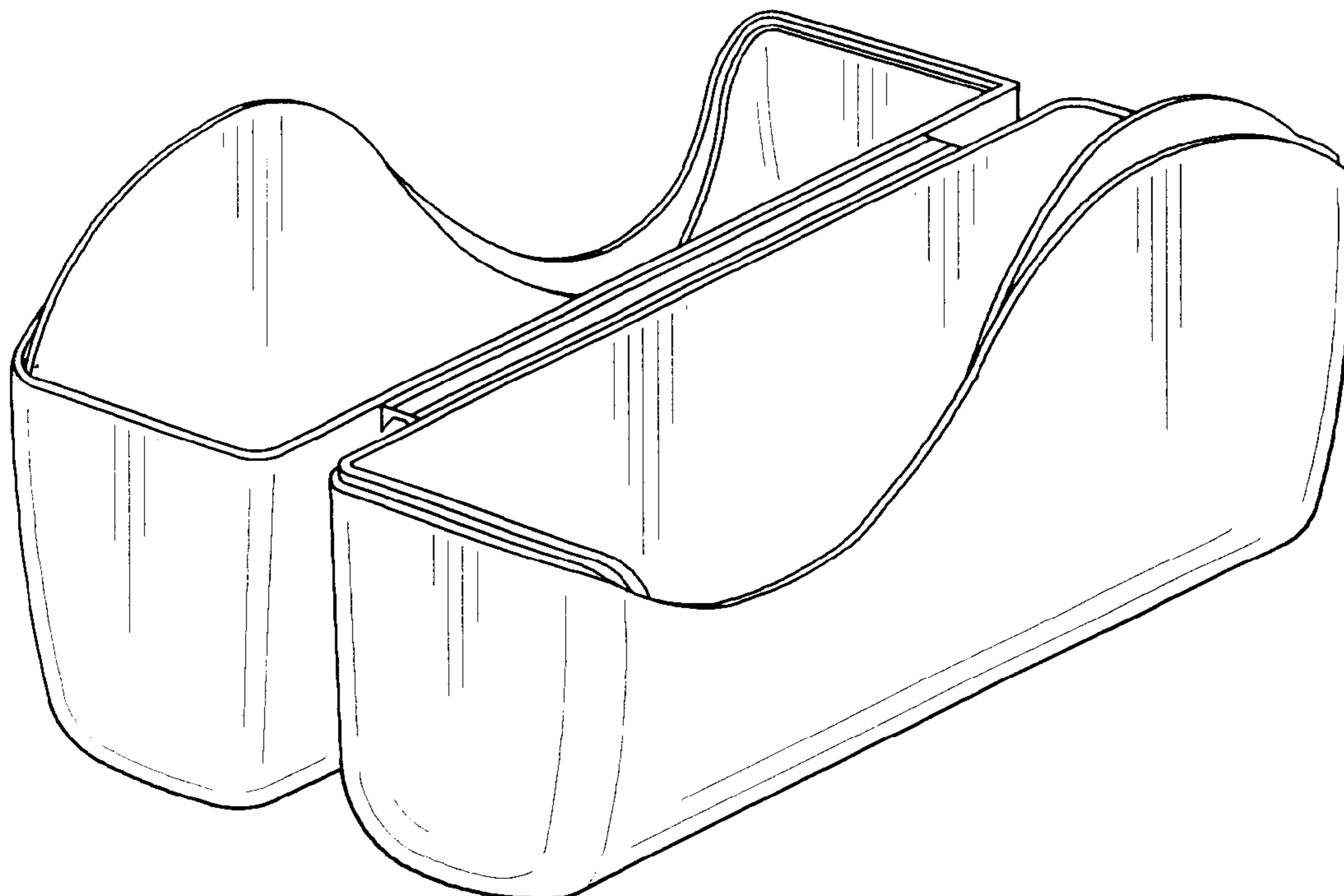


FIG.1

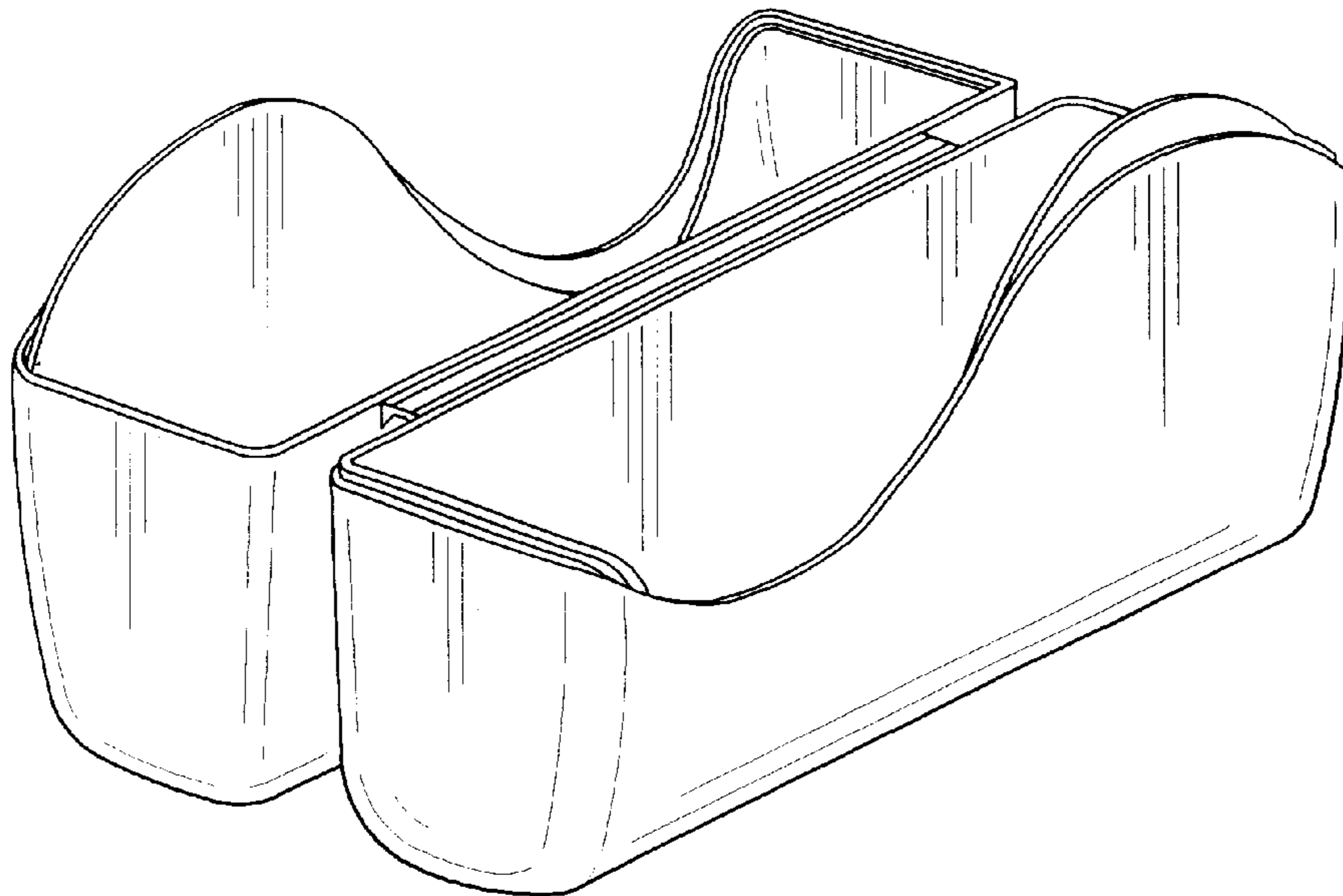


FIG.6

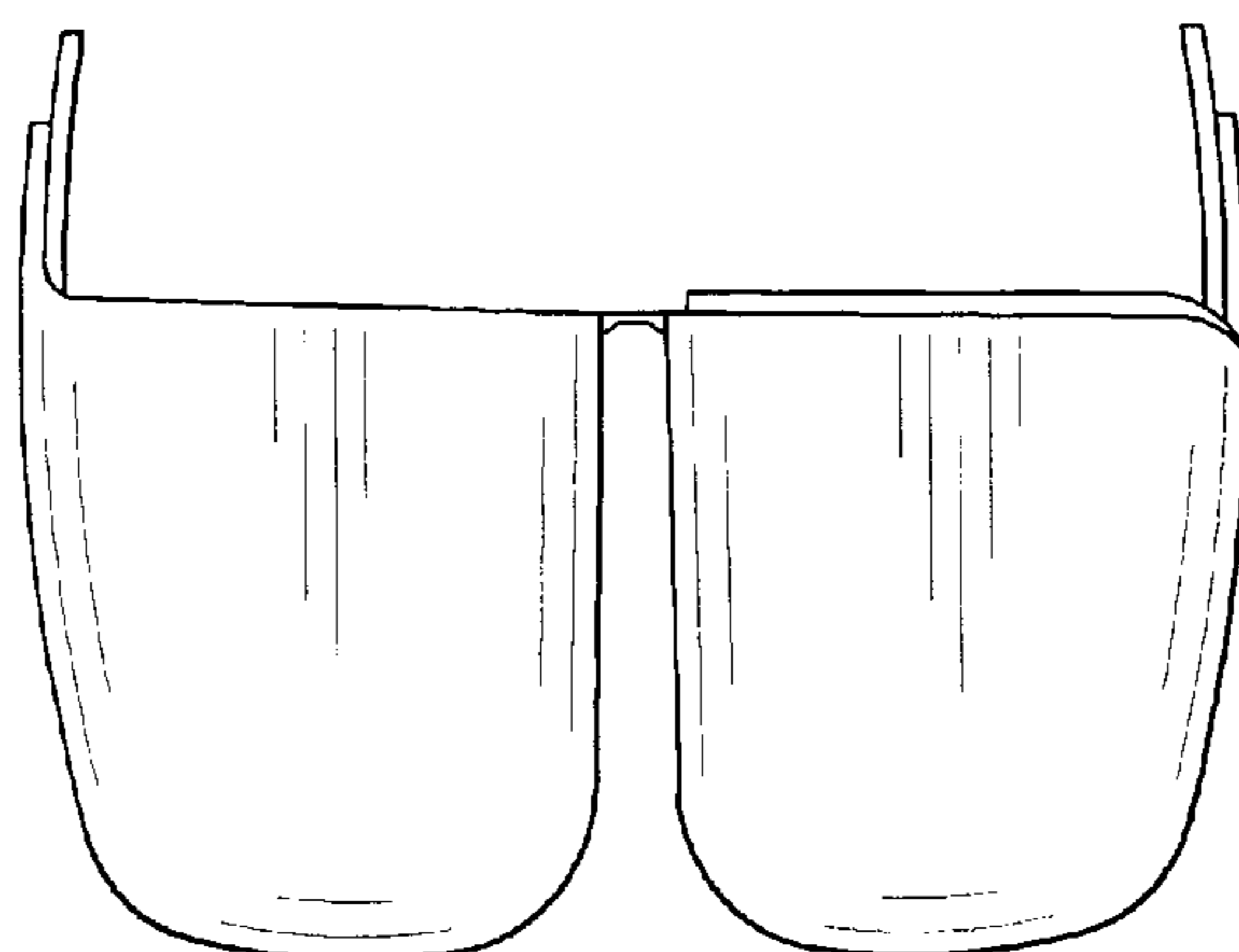


FIG. 2

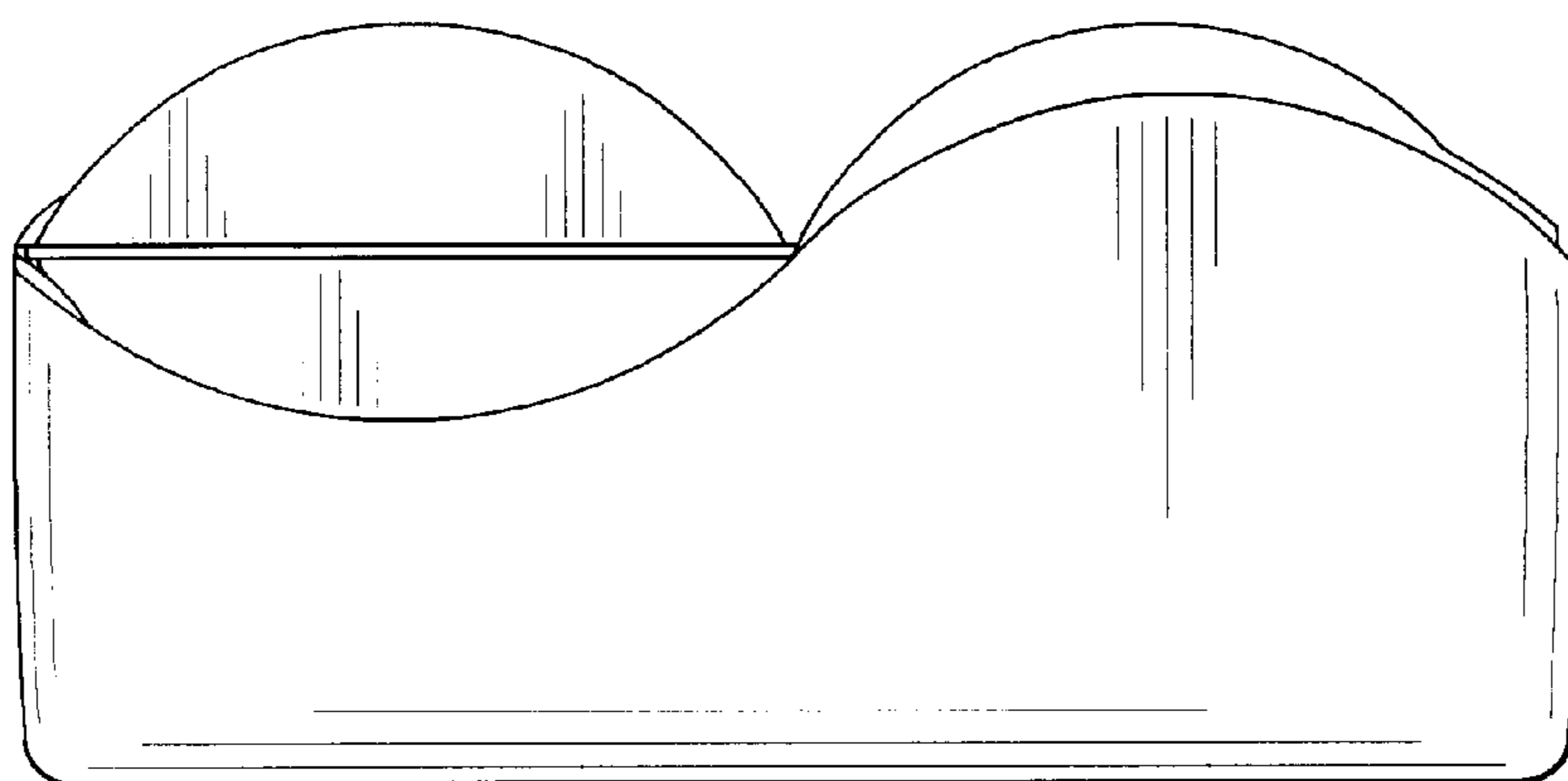


FIG. 3

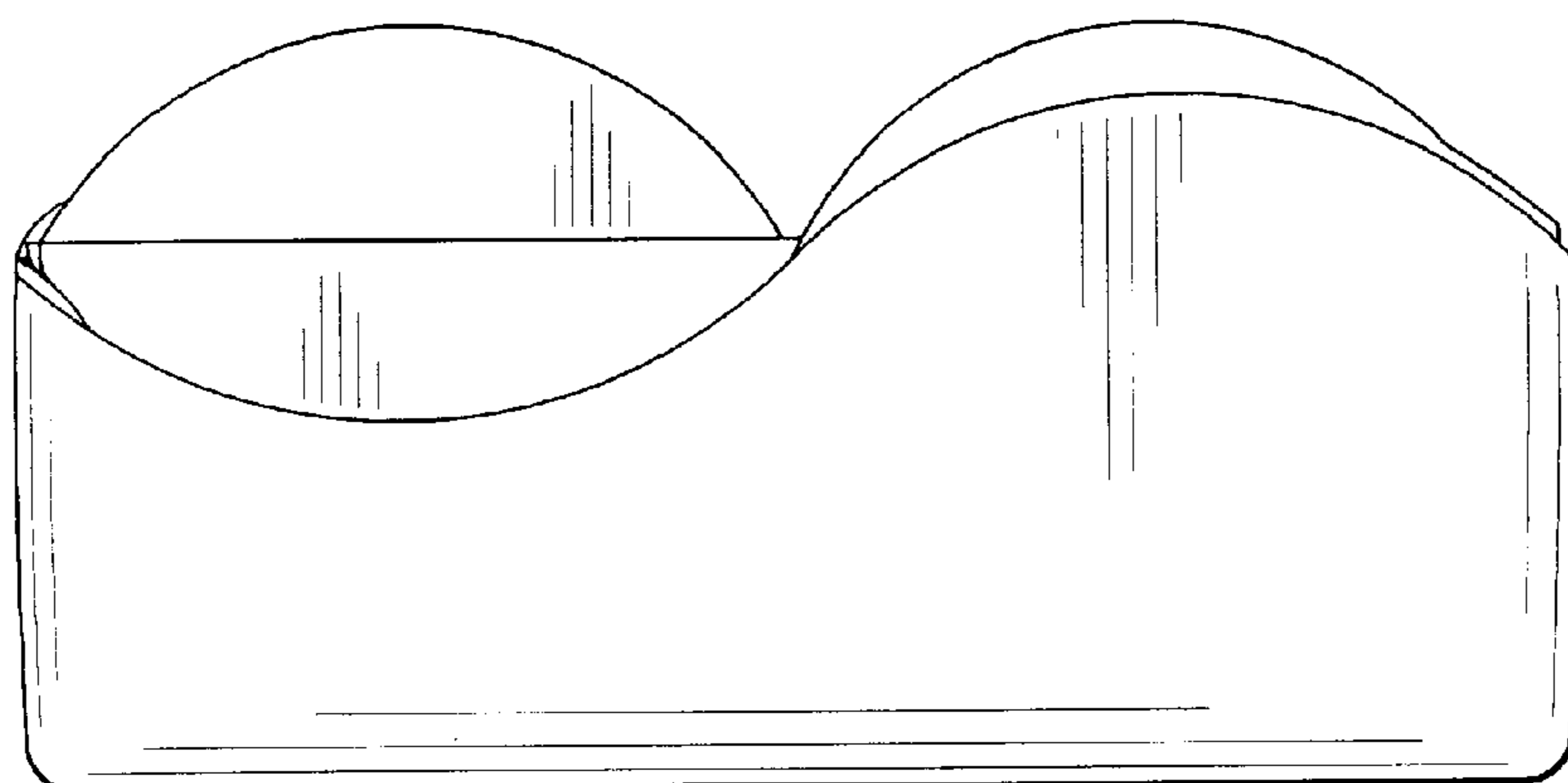


FIG. 4

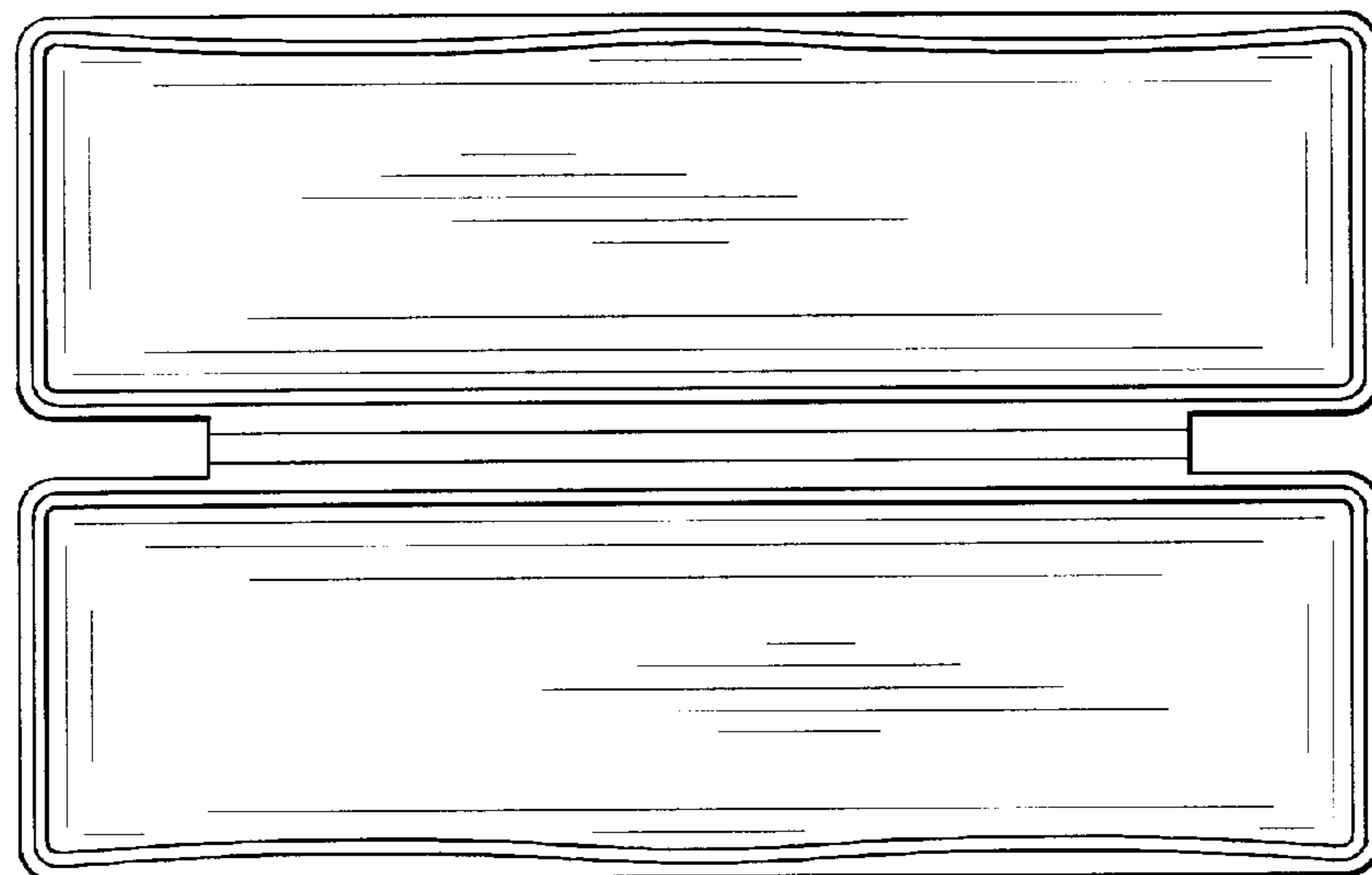


FIG. 5

