

US00D525862S

(12) **United States Design Patent**
Wall

(10) **Patent No.:** **US D525,862 S**

(45) **Date of Patent:** **** Aug. 1, 2006**

(54) **CONNECTING ELEMENT FOR SHEET PILES**

(75) Inventor: **Georg Wall**, Munich (DE)

(73) Assignee: **PilePro, LLC**, Rapid City, SD (US)

(**) Term: **14 Years**

(21) Appl. No.: **29/218,171**

(22) Filed: **Nov. 29, 2004**

(30) **Foreign Application Priority Data**

Nov. 25, 2004 (EM) 000258520

(51) **LOC (8) Cl.** **08-08**

(52) **U.S. Cl.** **D8/382**

(58) **Field of Classification Search** D8/356,
D8/371, 394-396, 499, 53, 100, 365, 382;
D12/51; D19/65; D28/39, 40, 42; 24/546,
24/563, 327, 334, DIG. 8, DIG. 9, DIG. 13,
24/DIG. 28; 248/74.2, 300, 301, 316.7, 229.26;
D25/60, 119

See application file for complete search history.

(56) **References Cited**

U.S. PATENT DOCUMENTS

2,884,478 A * 4/1959 Becker et al. 174/94 R

4,089,551 A * 5/1978 Perreira 292/260
D393,998 S * 5/1998 Anderson D8/394
D471,794 S * 3/2003 Wall D8/382
D481,932 S * 11/2003 Bess D8/394
D484,991 S * 1/2004 Davies et al. D25/60

* cited by examiner

Primary Examiner—Louis S. Zarfaz

Assistant Examiner—John Windmuller

(74) *Attorney, Agent, or Firm*—Milde & Hoffberg, LLP

(57) **CLAIM**

The ornamental design for a connecting element for sheet piles, as shown and described.

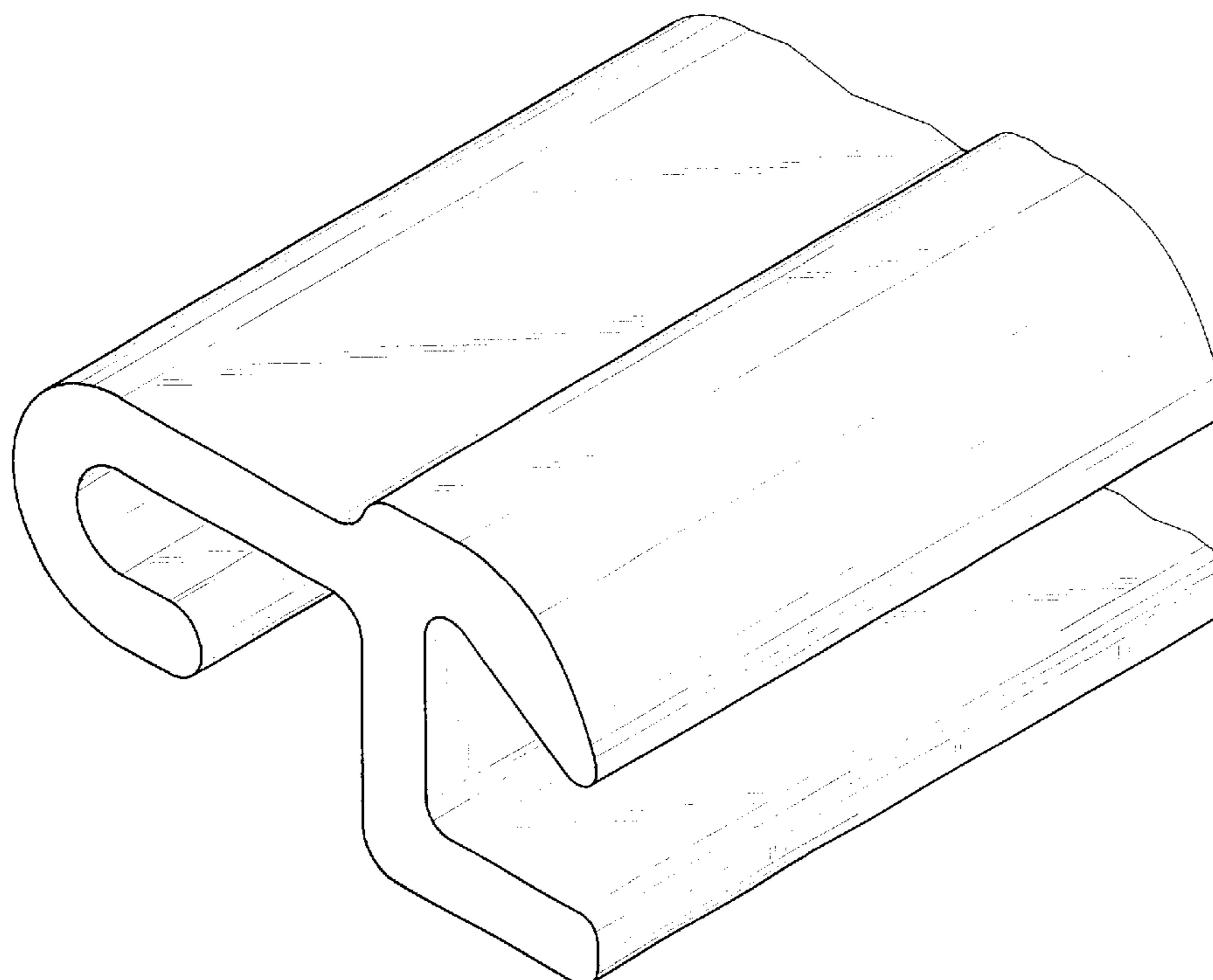
DESCRIPTION

FIG. 1 is a front perspective view of a connecting element for sheet piles showing my new design; and,

FIG. 2 is an front elevational view thereof.

The jagged line on the far end of the connecting element in FIG. 1 indicates indeterminate length.

1 Claim, 2 Drawing Sheets



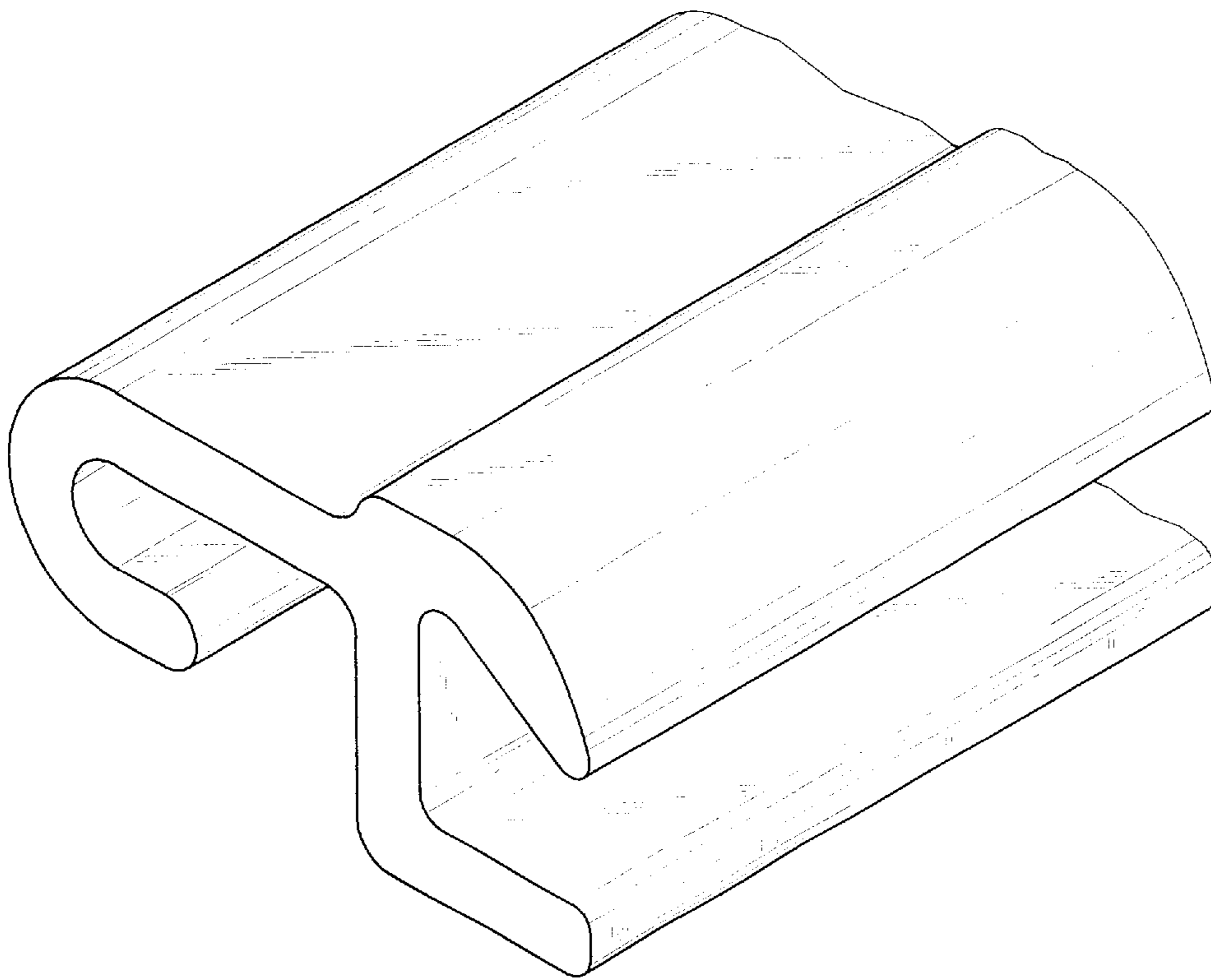


FIG. 1

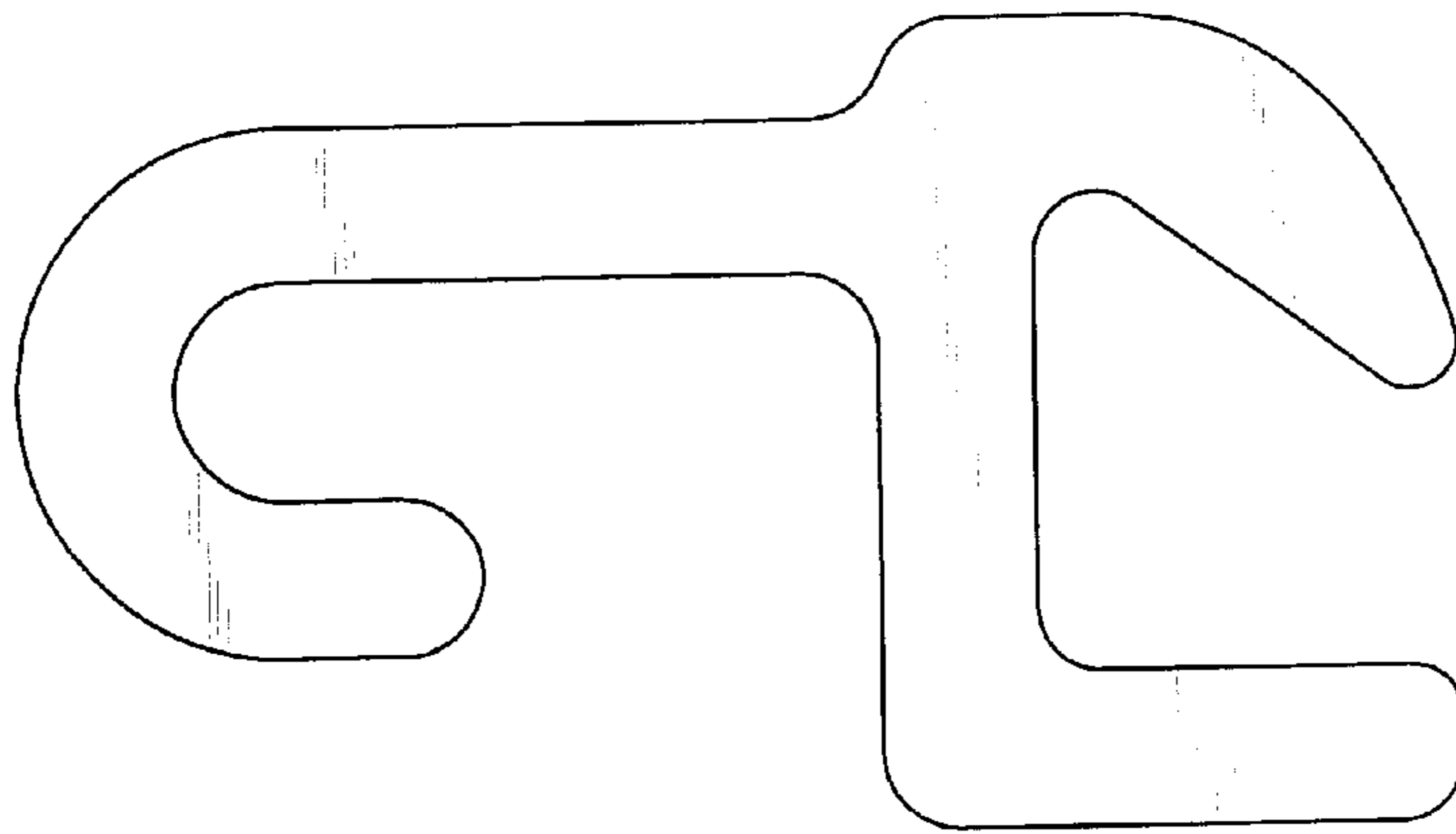


FIG. 2