



US00D525861S

(12) **United States Design Patent** (10) **Patent No.:** **US D525,861 S**  
**Mackey et al.** (45) **Date of Patent:** **\*\* Aug. 1, 2006**

(54) **BUNGEE CORD HOOK**

(75) Inventors: **Eric Mackey**, Milwaukee, WI (US);  
**Mark Van Handel**, Milwaukee, WI (US)

(73) Assignee: **Master Lock Company**, Oakcreek, WI (US)

(\*\*) Term: **14 Years**

(21) Appl. No.: **29/189,448**

(22) Filed: **Sep. 5, 2003**

(51) **LOC (8) Cl.** ..... **08-05**

(52) **U.S. Cl.** ..... **D8/367**

(58) **Field of Classification Search** ..... D8/367;  
248/301, 304, 215, 339; 24/300  
See application file for complete search history.

(56) **References Cited**

U.S. PATENT DOCUMENTS

4,559,677	A	*	12/1985	Tracy	.....	24/300
D307,705	S	*	5/1990	Mair	.....	D8/367
5,317,788	A		6/1994	Esposito et al.		
D417,386	S		12/1999	Huston		
6,014,794	A		1/2000	McCoy		
D458,831	S	*	6/2002	Selby	.....	D8/367

\* cited by examiner

*Primary Examiner*—Holly Baynham

(74) *Attorney, Agent, or Firm*—Calfee, Halter & Griswold LLP

(57) **CLAIM**

The ornamental design for a bungee cord hook, as shown and described.

**DESCRIPTION**

FIG. 1 is a perspective view of a bungee cord hook of the present invention;

FIG. 2 is another perspective view of the design shown in FIG. 1;

FIG. 3 is a front view of the design shown in FIG. 1;

FIG. 4 is a side view of the design shown in FIG. 1;

FIG. 5 is a back view of the design shown in FIG. 1;

FIG. 6 is a side view of the design shown in FIG. 1;

FIG. 7 is a top view of the design shown in FIG. 1;

FIG. 8 is a bottom view of the design shown in FIG. 1;

FIG. 9 is a second embodiment of a bungee cord hook of the present invention;

FIG. 10 is another perspective view of the design shown in FIG. 9;

FIG. 11 is a front view of the design shown in FIG. 9;

FIG. 12 is a side view of the design shown in FIG. 9;

FIG. 13 is a back view of the design shown in FIG. 9;

FIG. 14 is a side view of the design shown in FIG. 9;

FIG. 15 is a top view of the design shown in FIG. 9;

FIG. 16 is a bottom view of the design shown in FIG. 9;

FIG. 17 is a third embodiment of a bungee cord hook of the present invention;

FIG. 18 is another perspective view of the design shown in FIG. 17;

FIG. 19 is a front view of the design shown in FIG. 17;

FIG. 20 is a side view of the design shown in FIG. 17;

FIG. 21 is a back view of the design shown in FIG. 17;

FIG. 22 is a side view of the design shown in FIG. 17;

FIG. 23 is a top view of the design shown in FIG. 17;

FIG. 24 is a bottom view of the design shown in FIG. 17;

FIG. 25 is a fourth embodiment of a bungee cord hook of the present invention;

FIG. 26 is another perspective view of the design shown in FIG. 25;

FIG. 27 is a front view of the design shown in FIG. 25;

FIG. 28 is a side view of the design shown in FIG. 25;

FIG. 29 is a back view of the design shown in FIG. 25;

FIG. 30 is a side view of the design shown in FIG. 25;

FIG. 31 is a top view of the design shown in FIG. 25;

FIG. 32 is a bottom view of the design shown in FIG. 25;

FIG. 33 is a fifth embodiment of a bungee cord hook of the present invention;

FIG. 34 is another perspective view of the design shown in FIG. 33;

FIG. 35 is a front view of the design shown in FIG. 33;

FIG. 36 is a side view of the design shown in FIG. 33;

FIG. 37 is a back view of the design shown in FIG. 33;

FIG. 38 is a side view of the design shown in FIG. 33;

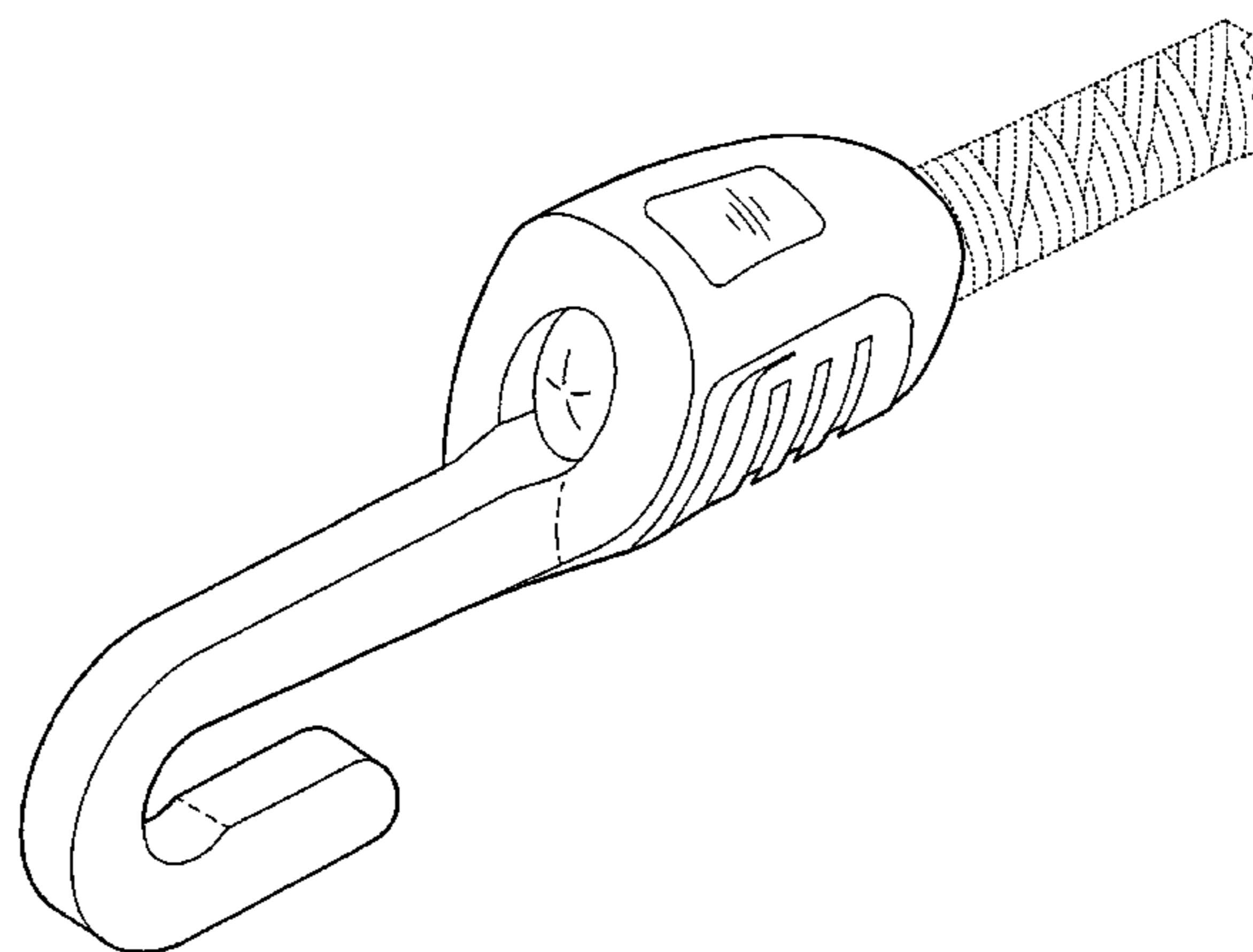


FIG. 39 is a top view of the design shown in FIG. 33;  
FIG. 40 is a bottom view of the design shown in FIG. 33;  
FIG. 41 is a sixth embodiment of a bungee cord hook of the present invention;  
FIG. 42 is a front view of the design shown in FIG. 41;  
FIG. 43 is a side view of the design shown in FIG. 41;  
FIG. 44 is a back view of the design shown in FIG. 41;  
FIG. 45 is a side view of the design shown in FIG. 41;  
FIG. 46 is a top view of the design shown in FIG. 41;  
FIG. 47 is a bottom view of the design shown in FIG. 41;  
FIG. 48 is a seventh embodiment of a bungee cord hook of the present invention;  
FIG. 49 is a front view of the design shown in FIG. 48;  
FIG. 50 is a side view of the design shown in FIG. 48;  
FIG. 51 is a back view of the design shown in FIG. 48;  
FIG. 52 is a side view of the design shown in FIG. 48;  
FIG. 53 is a top view of the design shown in FIG. 48;

FIG. 54 is a bottom view of the design shown in FIG. 48; and  
FIG. 55 is an eighth embodiment of a bungee cord hook of the present invention;  
FIG. 56 is a front view of the design shown in FIG. 55;  
FIG. 57 is a side view of the design shown in FIG. 55;  
FIG. 58 is a back view of the design shown in FIG. 55;  
FIG. 59 is a side view of the design shown in FIG. 55;  
FIG. 60 is a top view of the design shown in FIG. 55; and,  
FIG. 61 is a bottom view of the design shown in FIG. 55.  
The broken line showing of portions of the hook are for illustrative purposes only and form no part of the claimed design.  
The hook is shown detached in the first embodiment for ease and clarity of illustration.

**1 Claim, 21 Drawing Sheets**

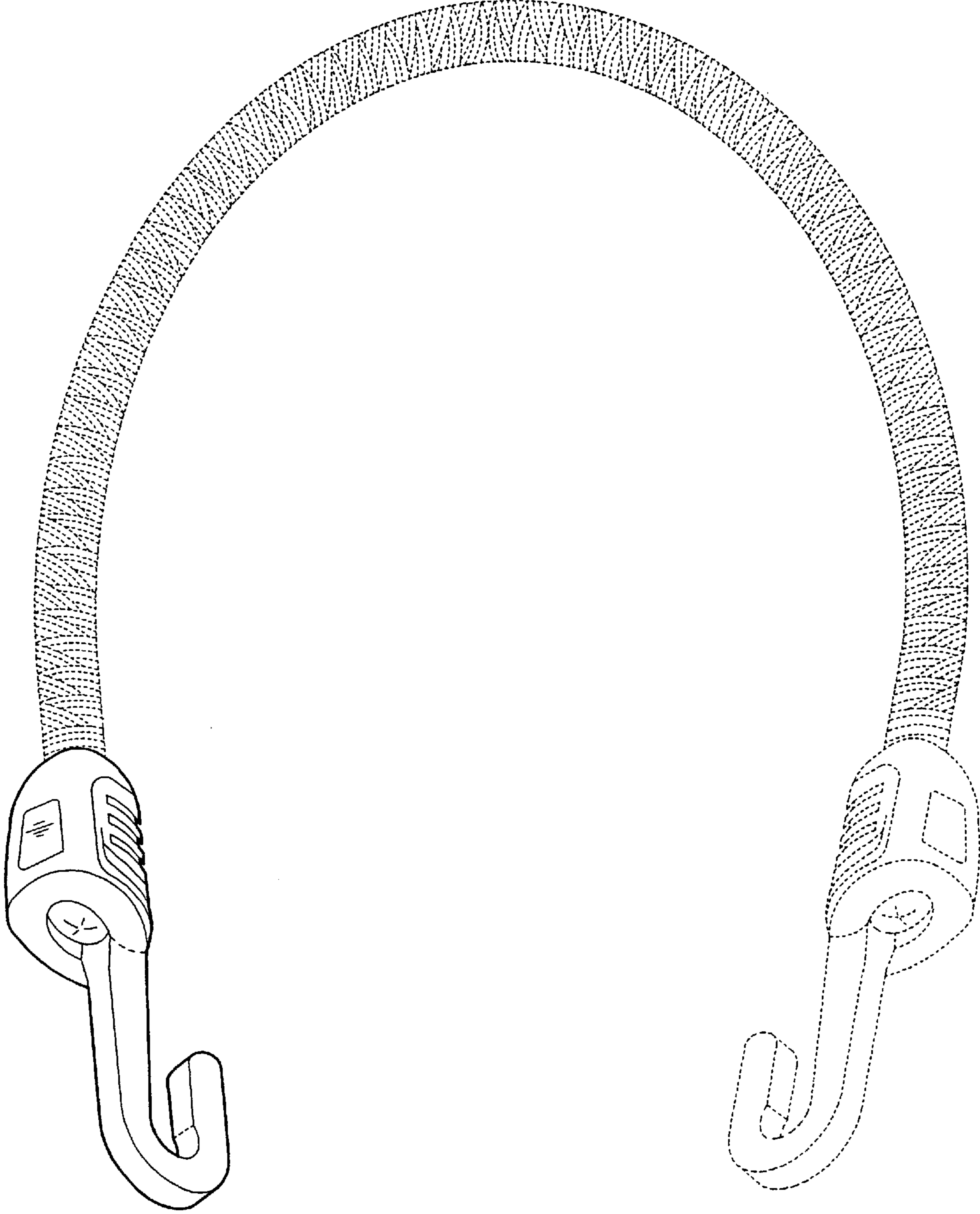


FIG. 1

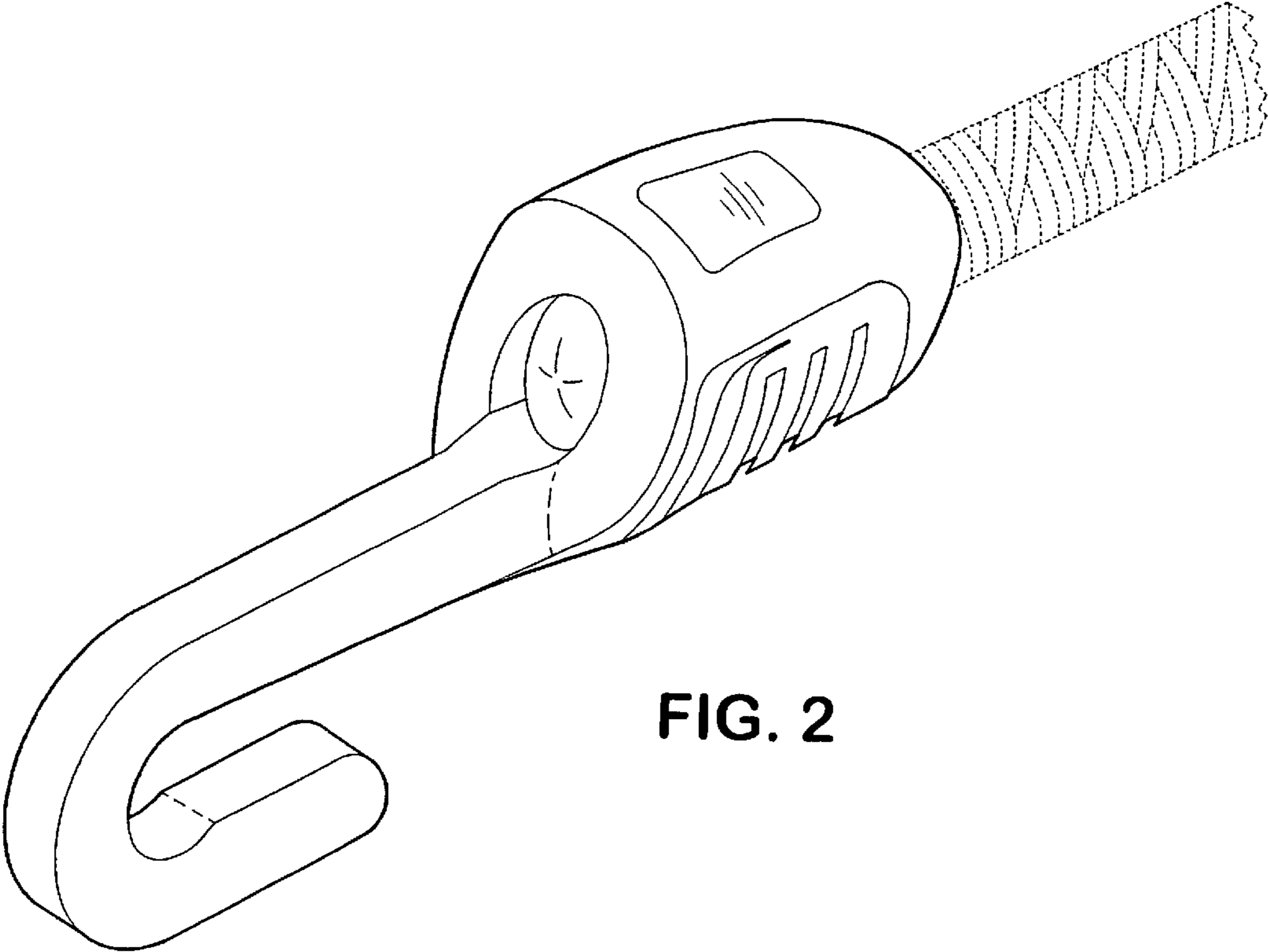


FIG. 2

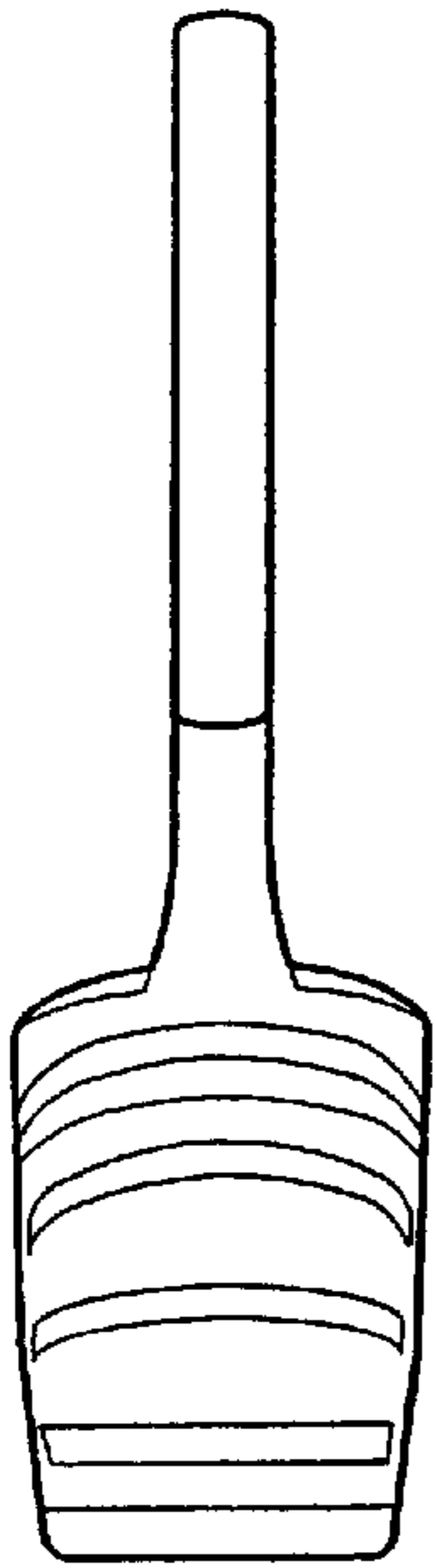


FIG. 3

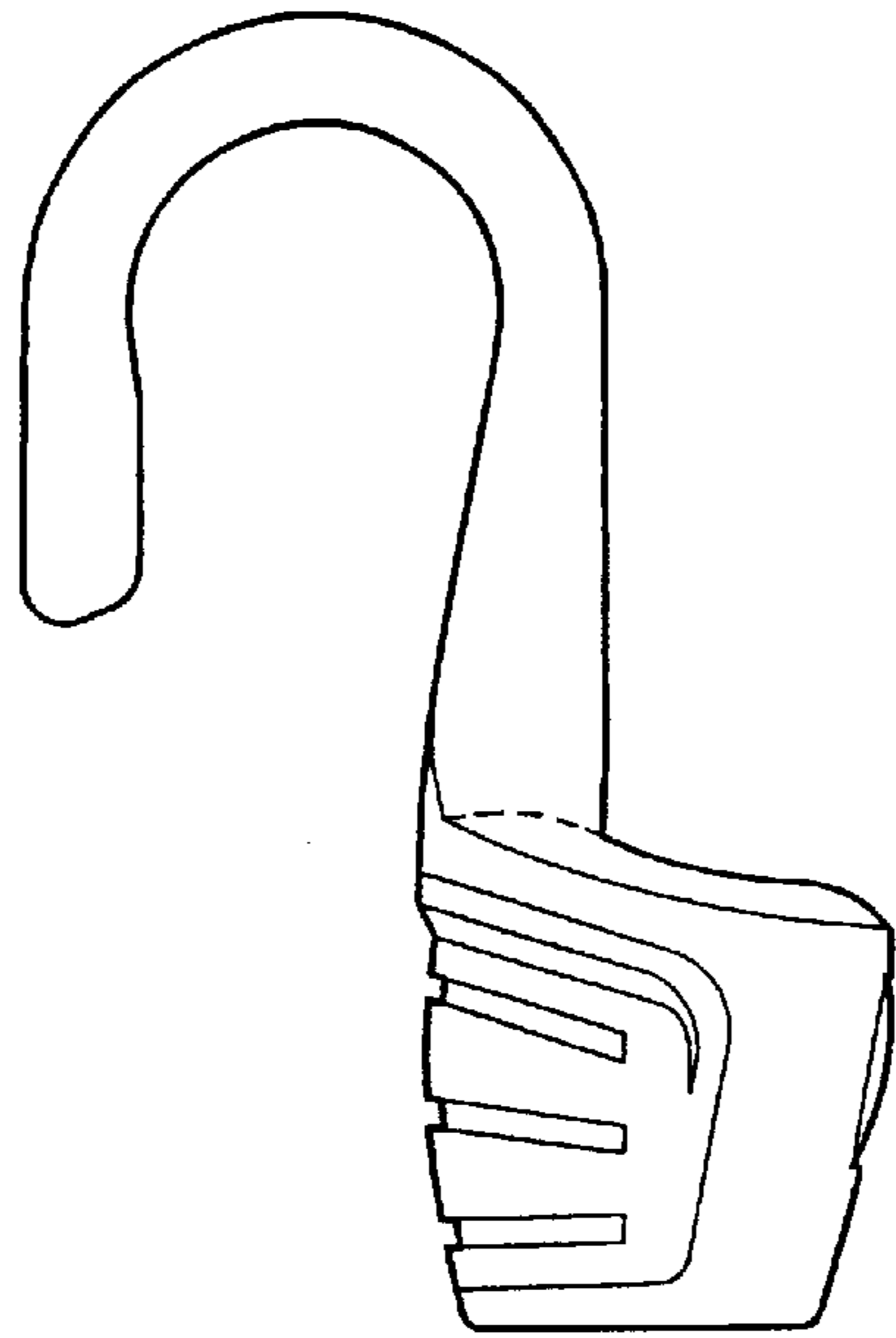


FIG. 4

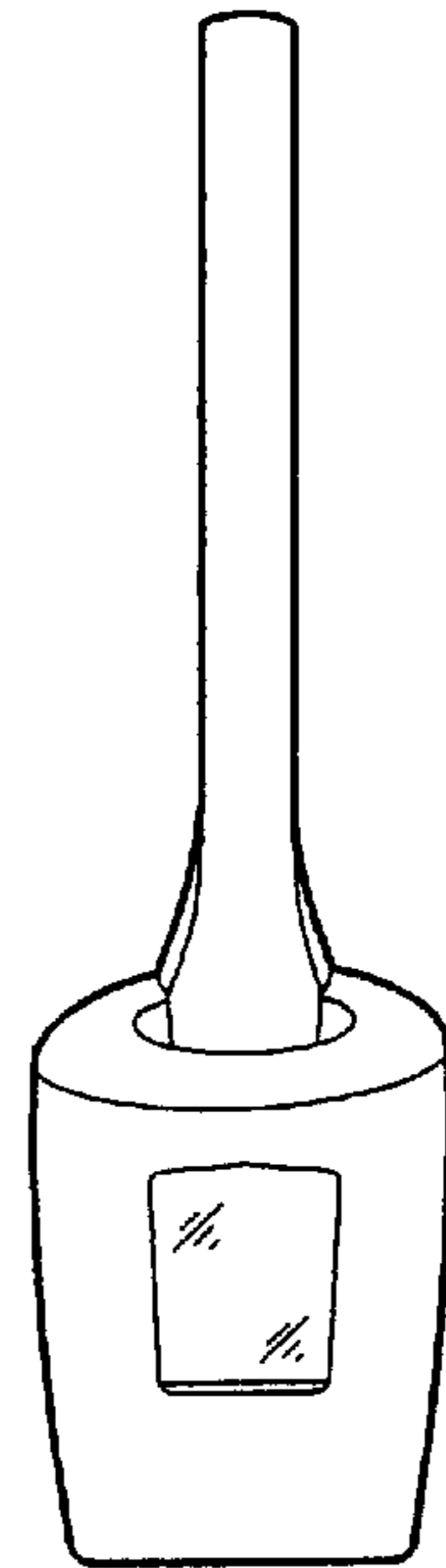


FIG. 5

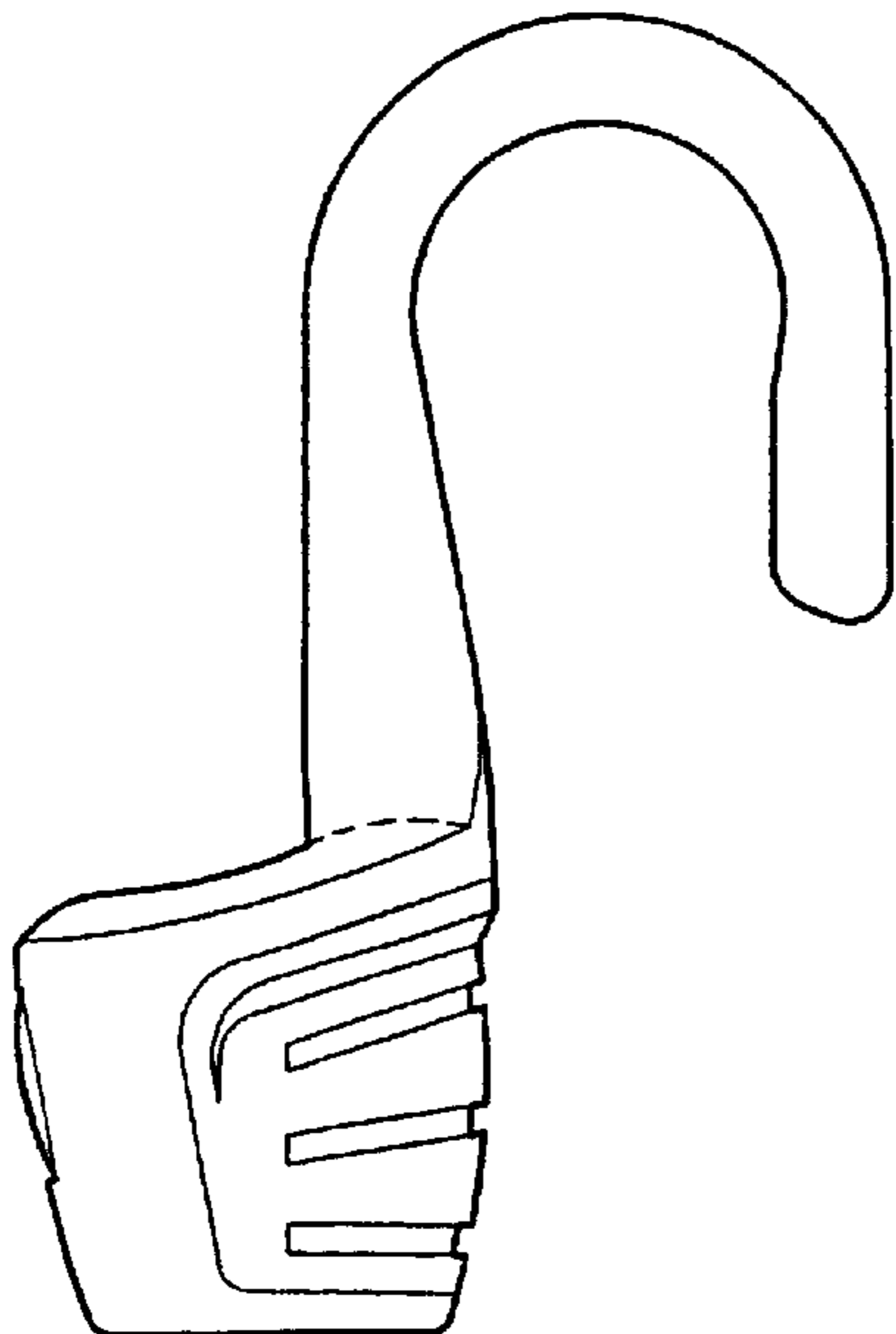


FIG. 6

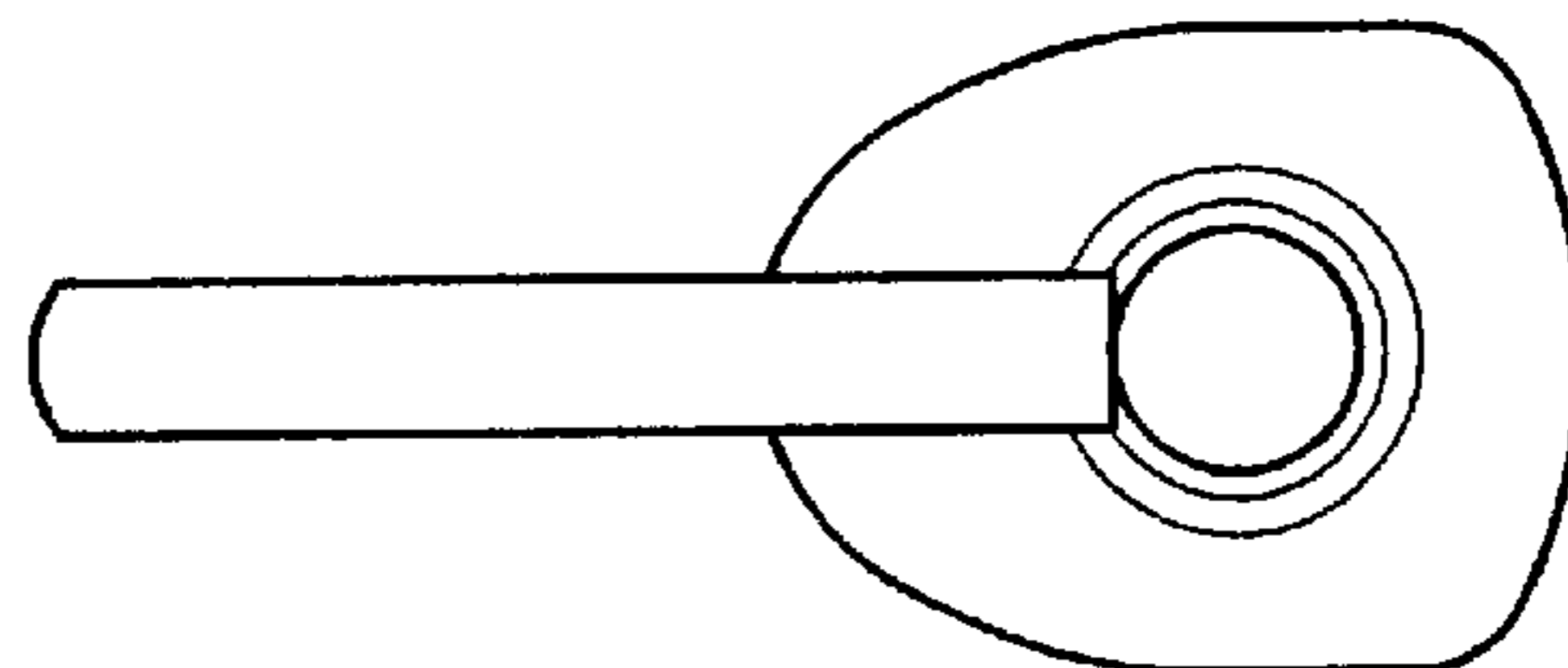


FIG. 7

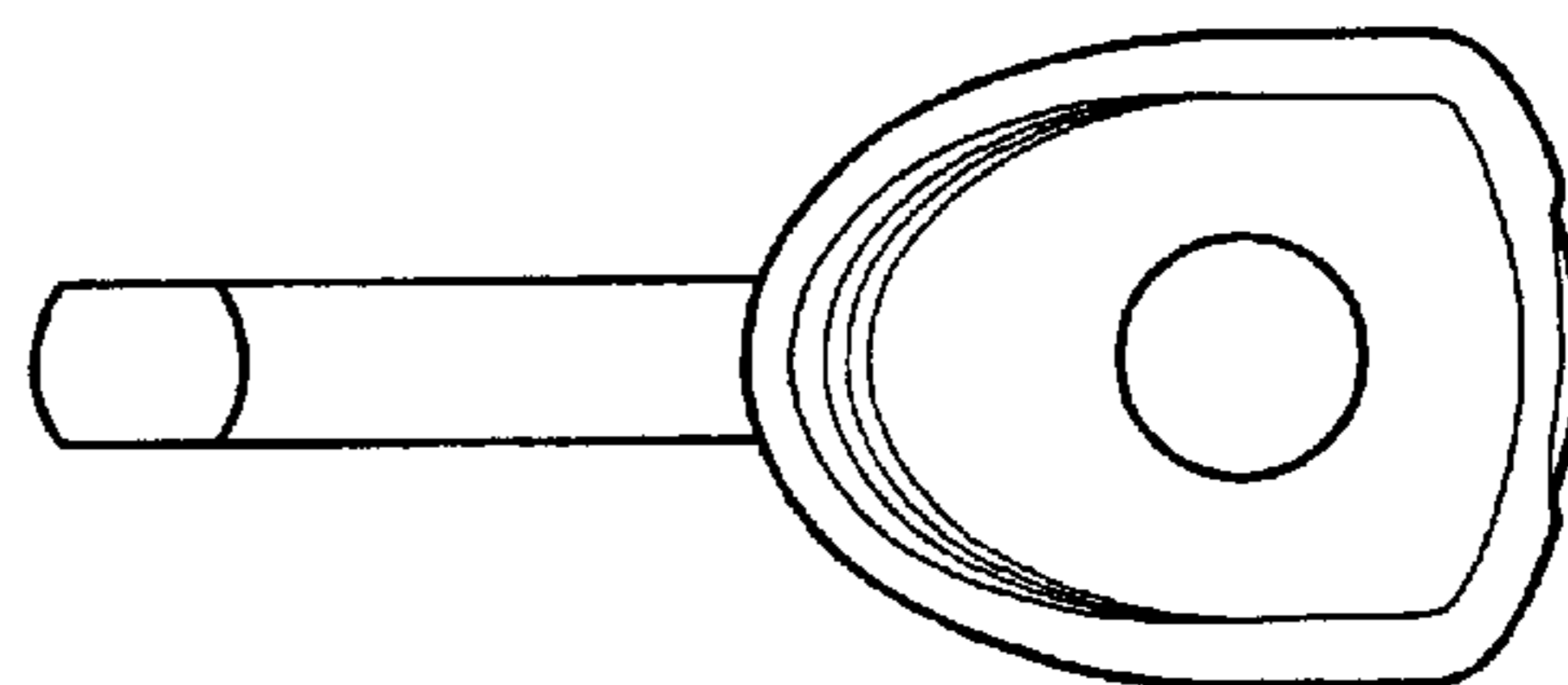


FIG. 8

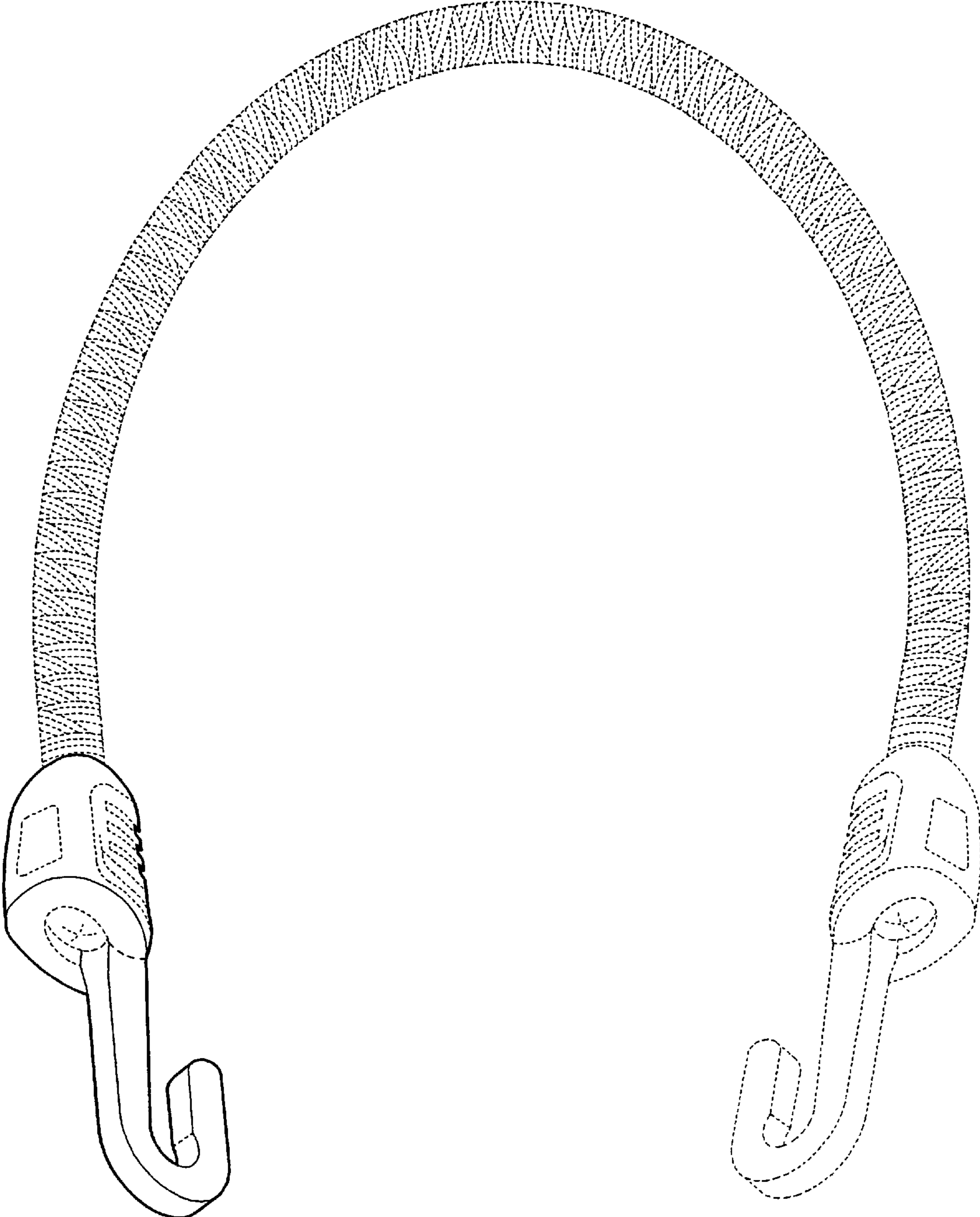


FIG. 9

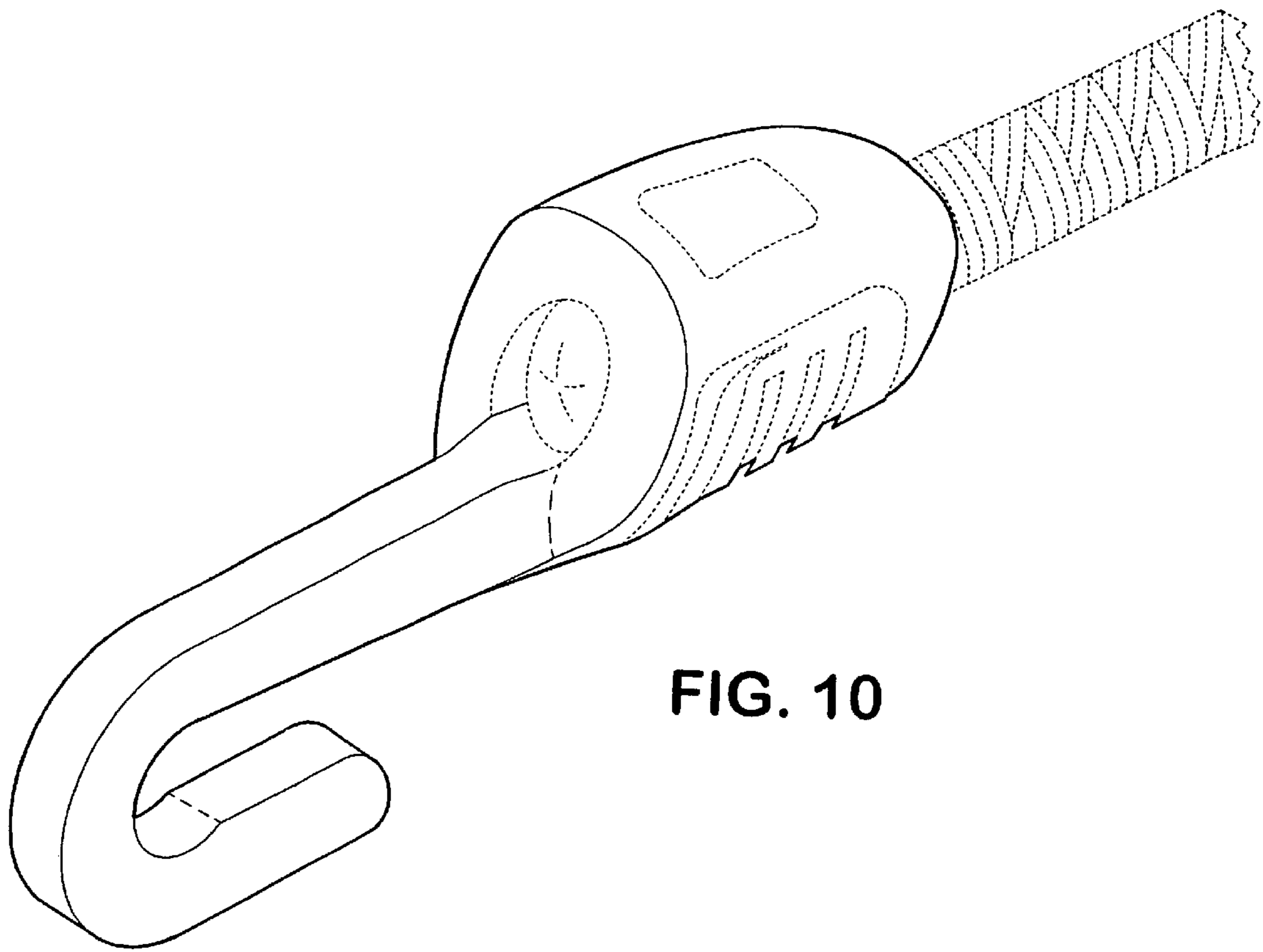


FIG. 10

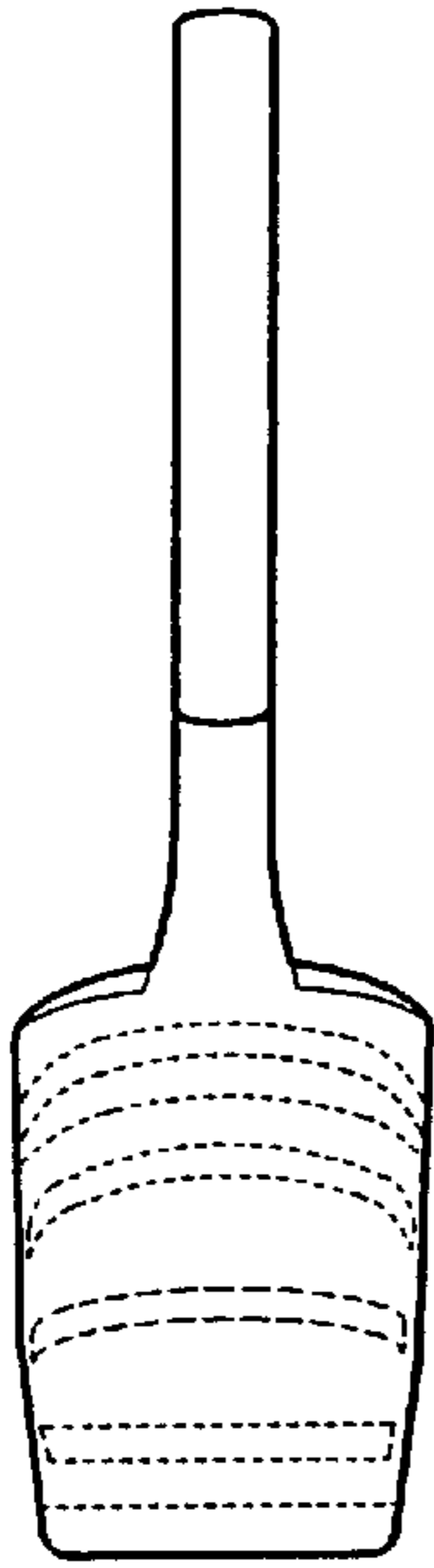


FIG. 11

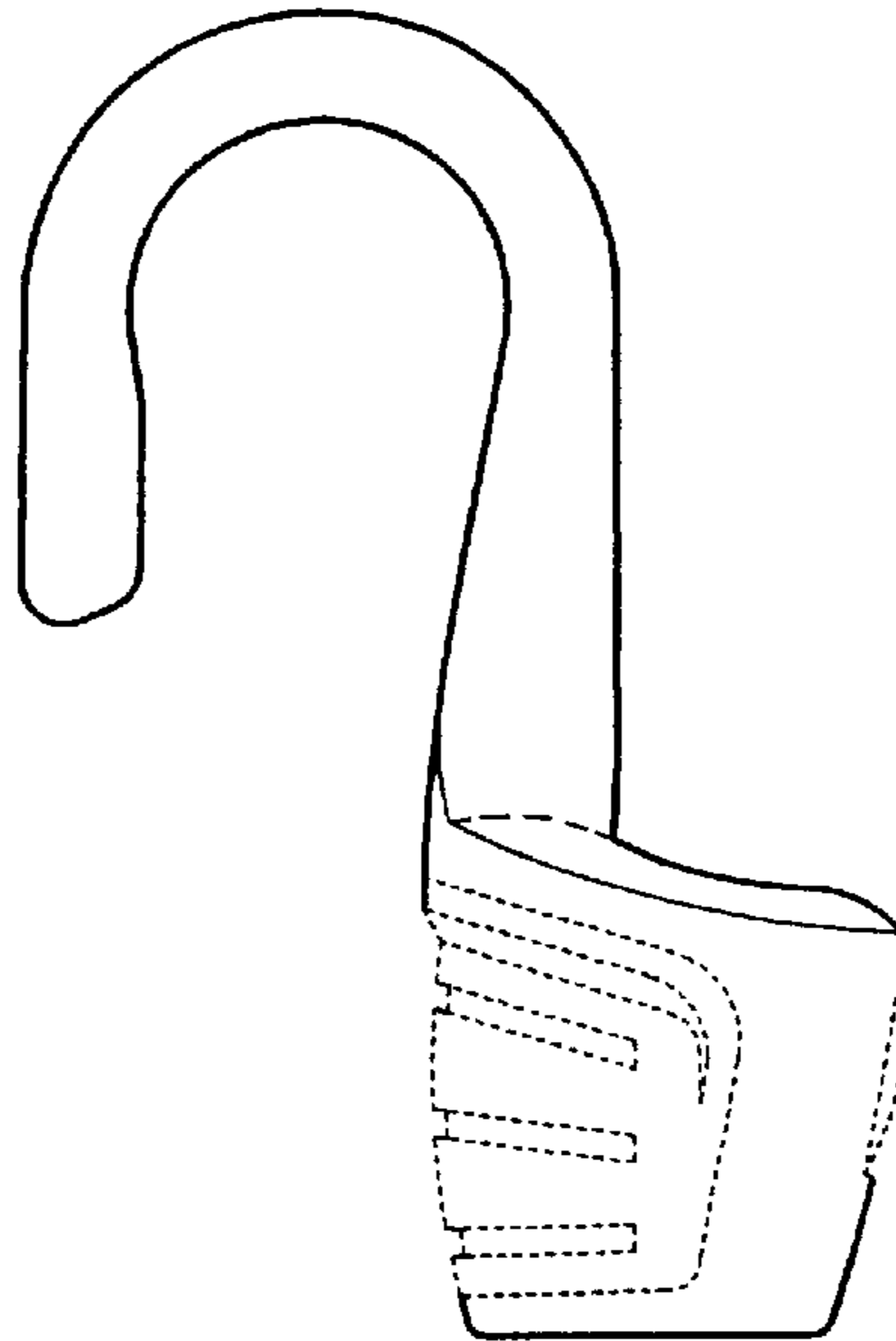


FIG. 12

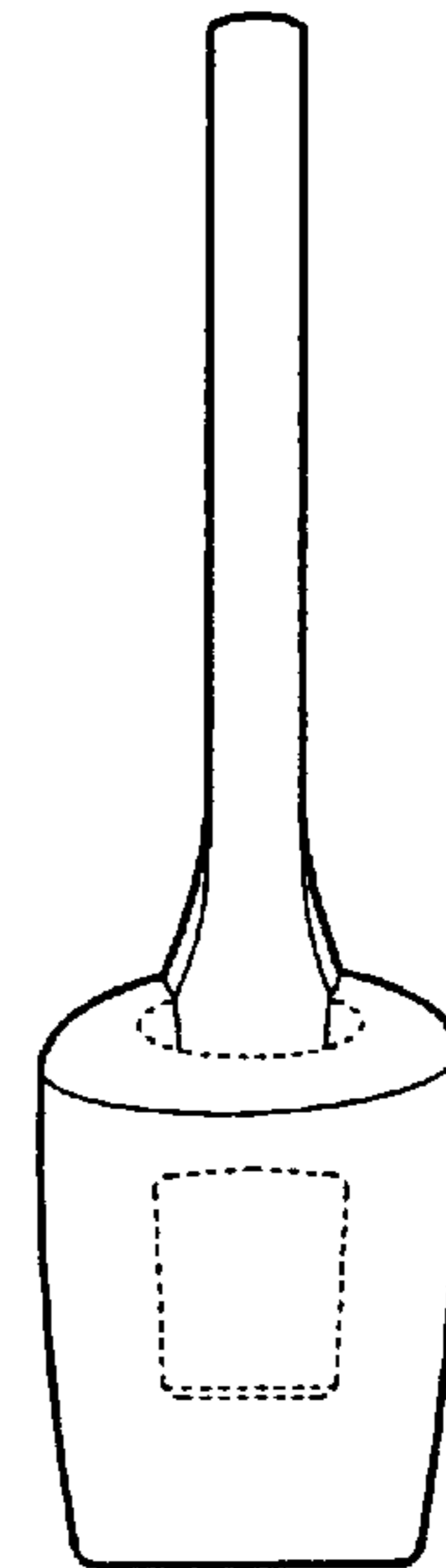


FIG. 13

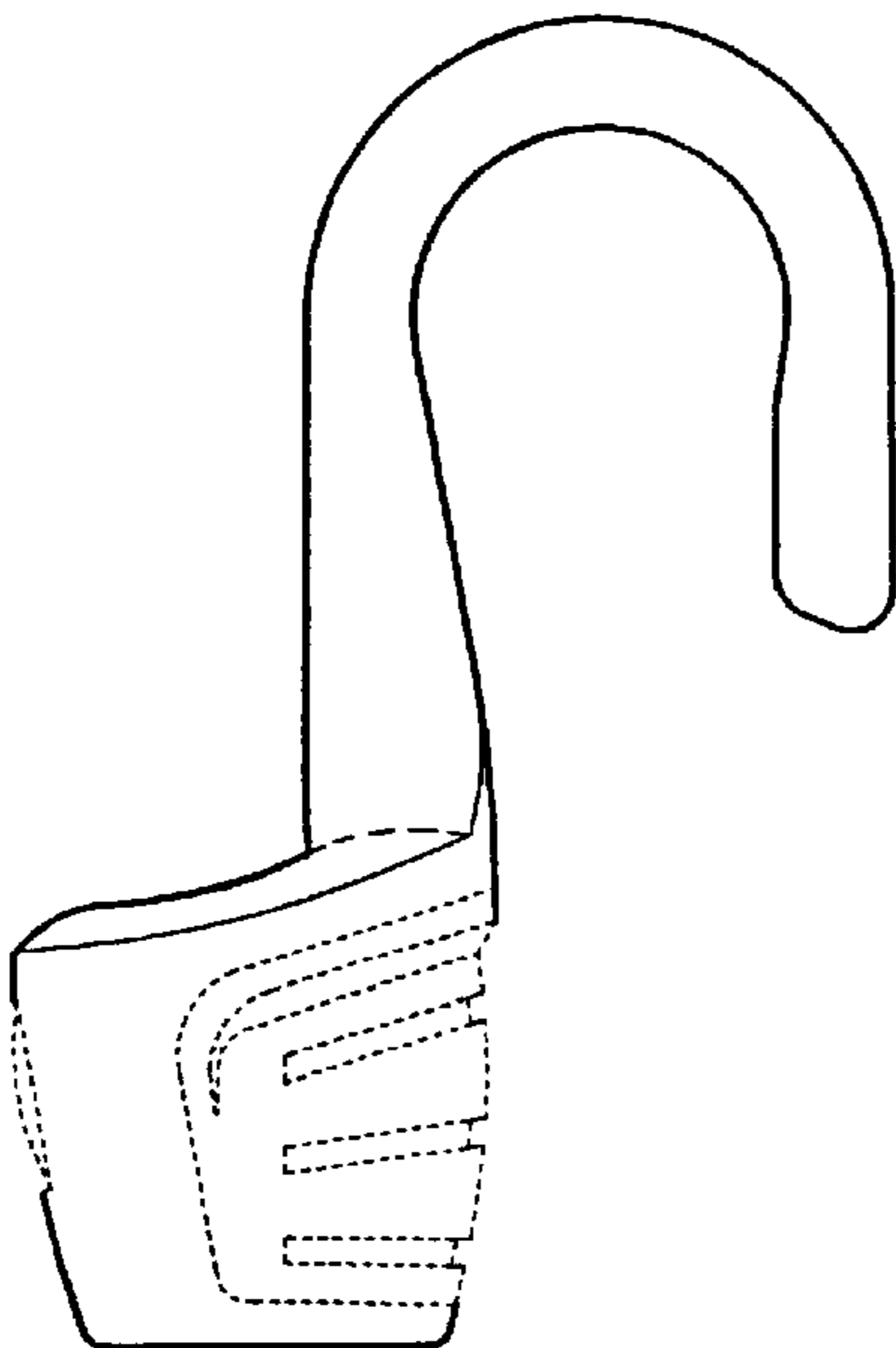


FIG. 14

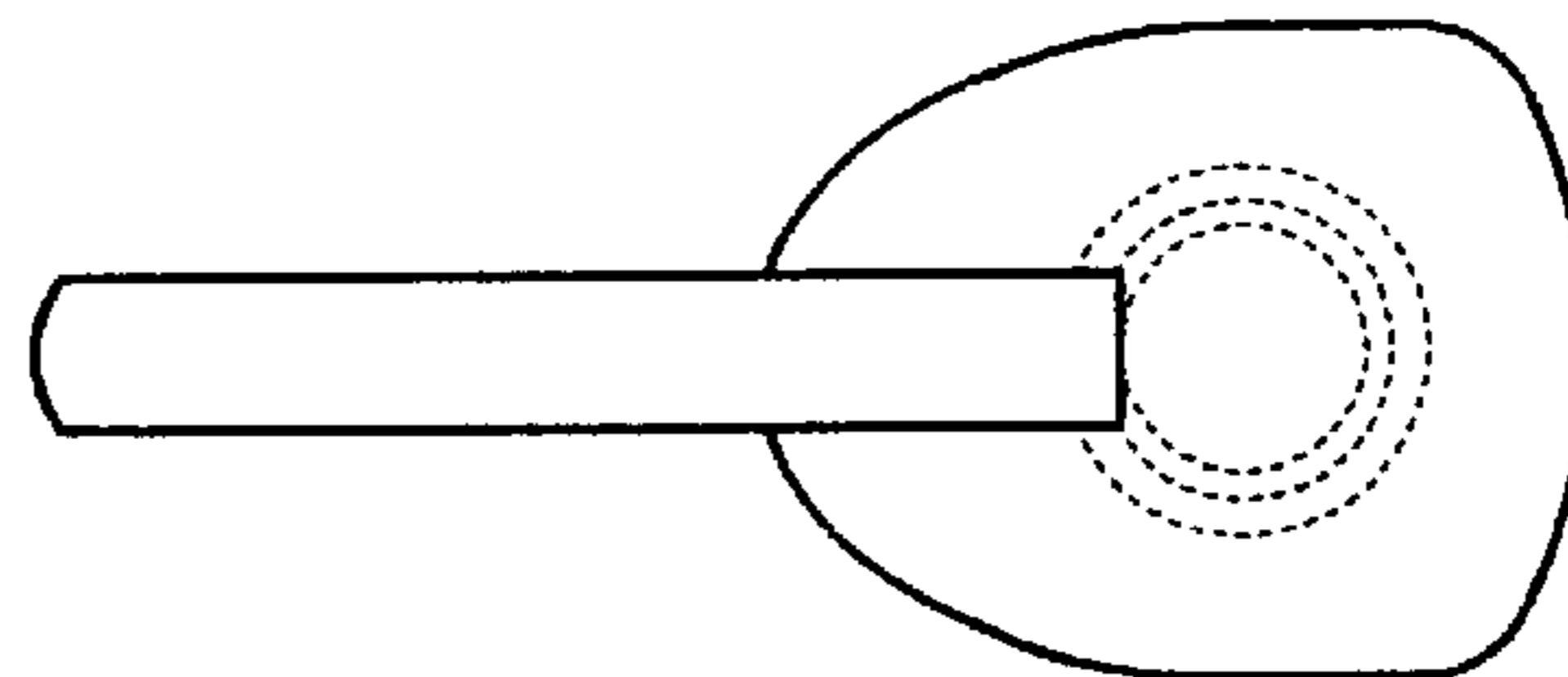


FIG. 15

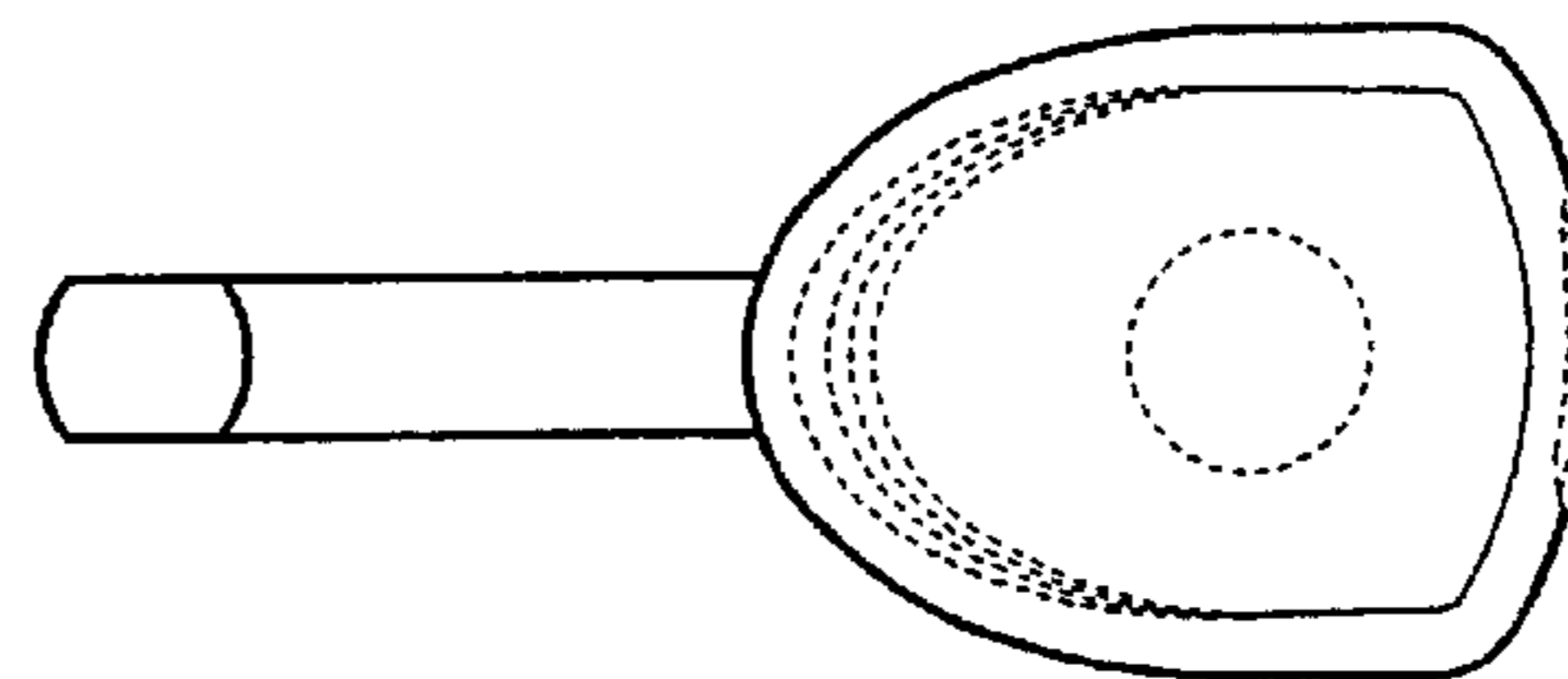


FIG. 16



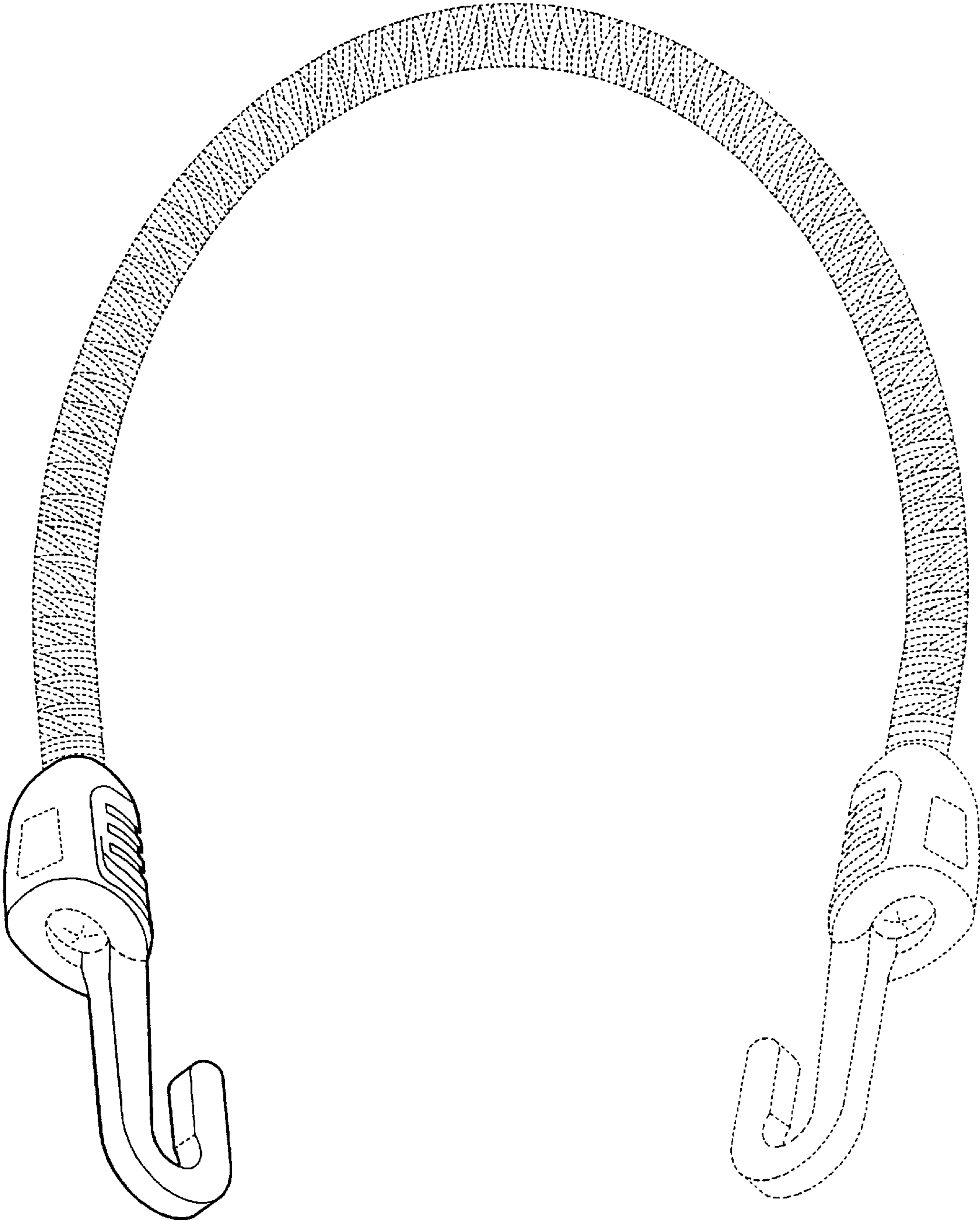


FIG. 17

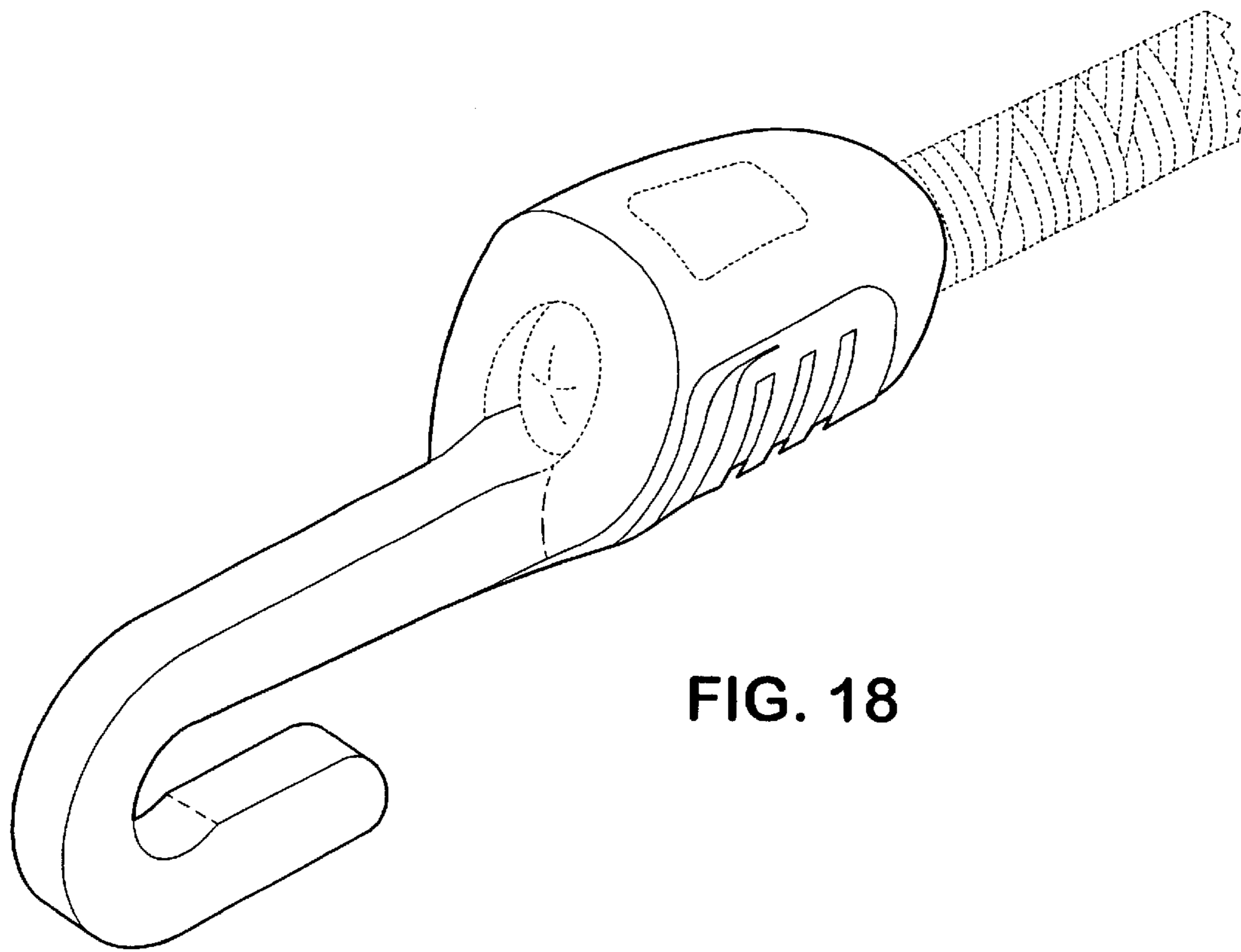


FIG. 18

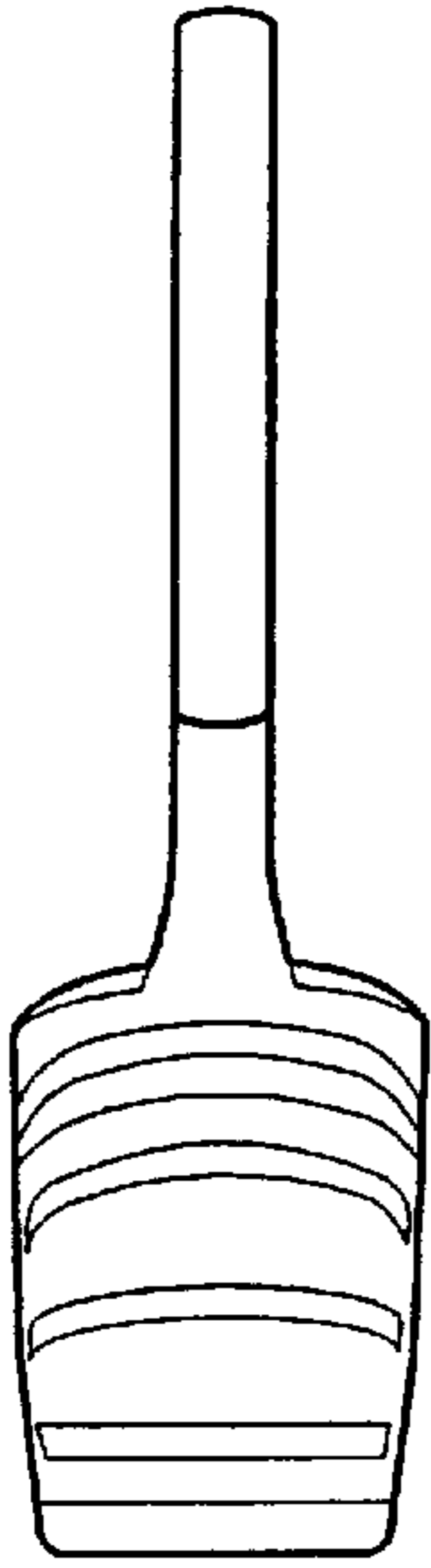


FIG. 19

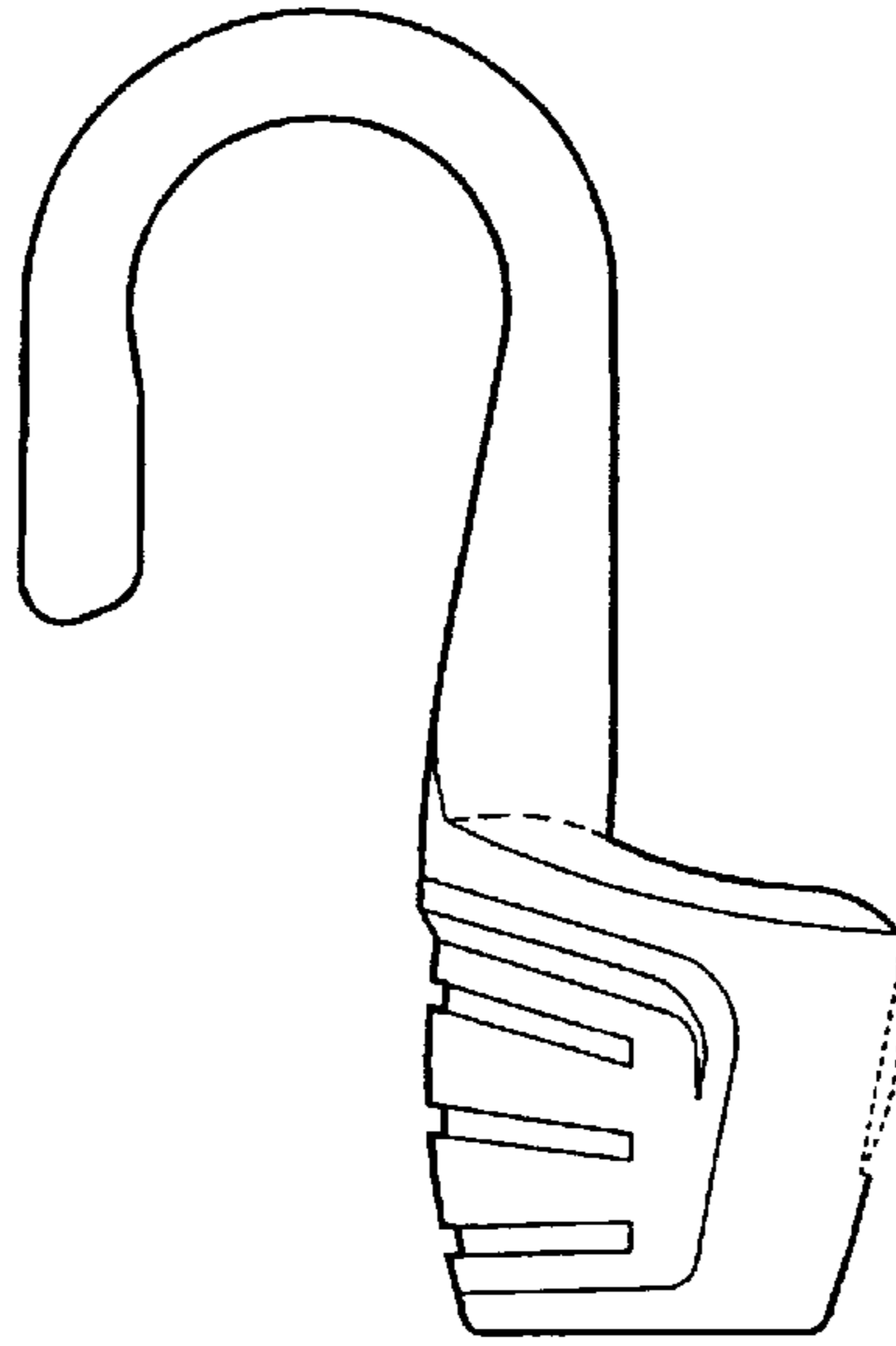


FIG. 20

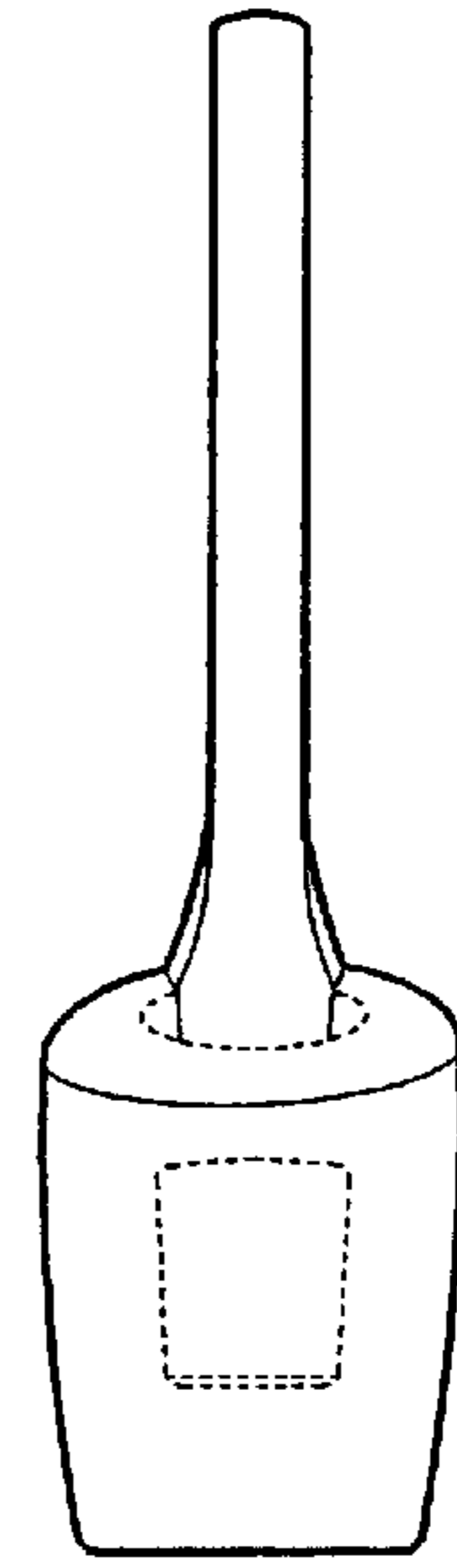


FIG. 21

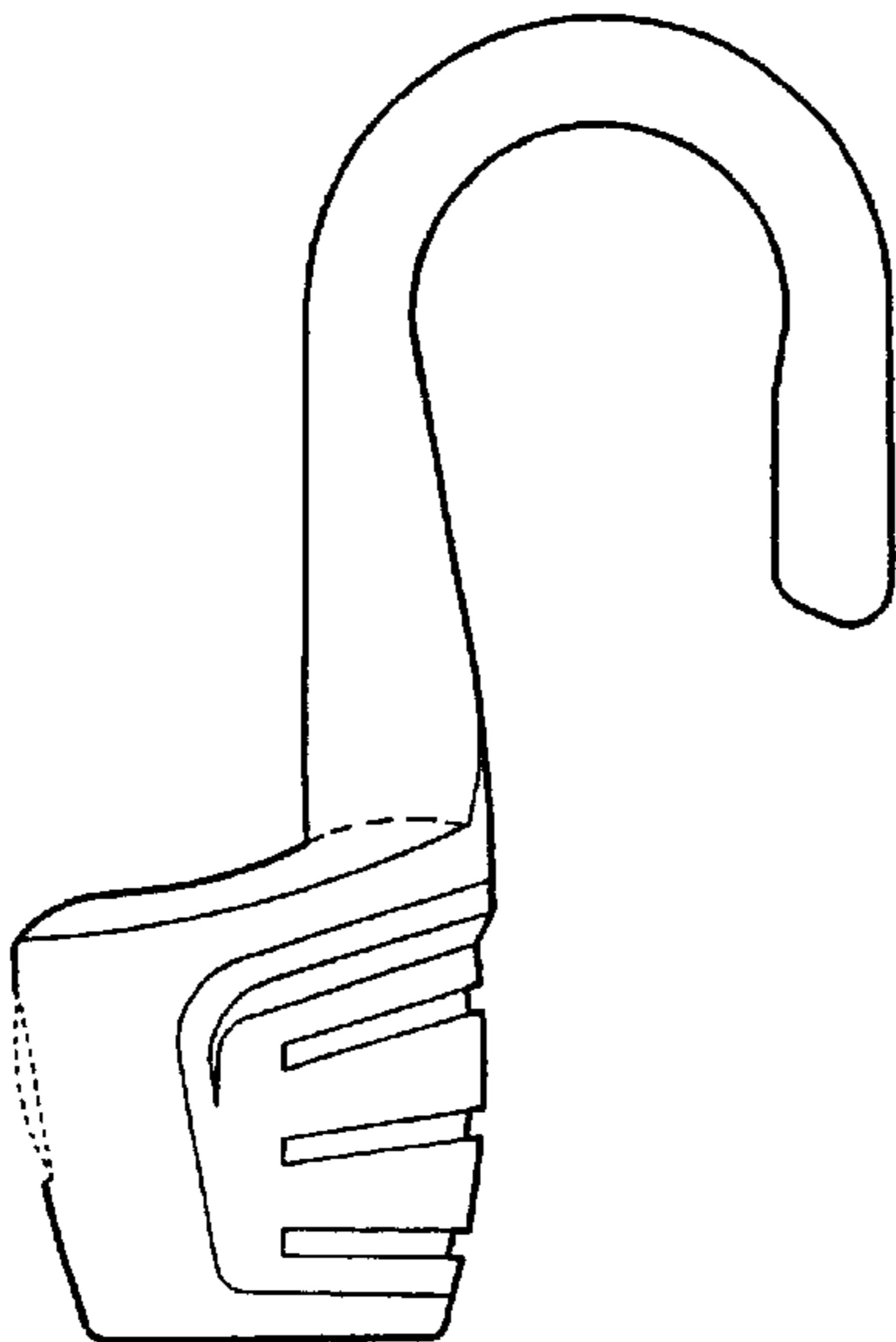


FIG. 22

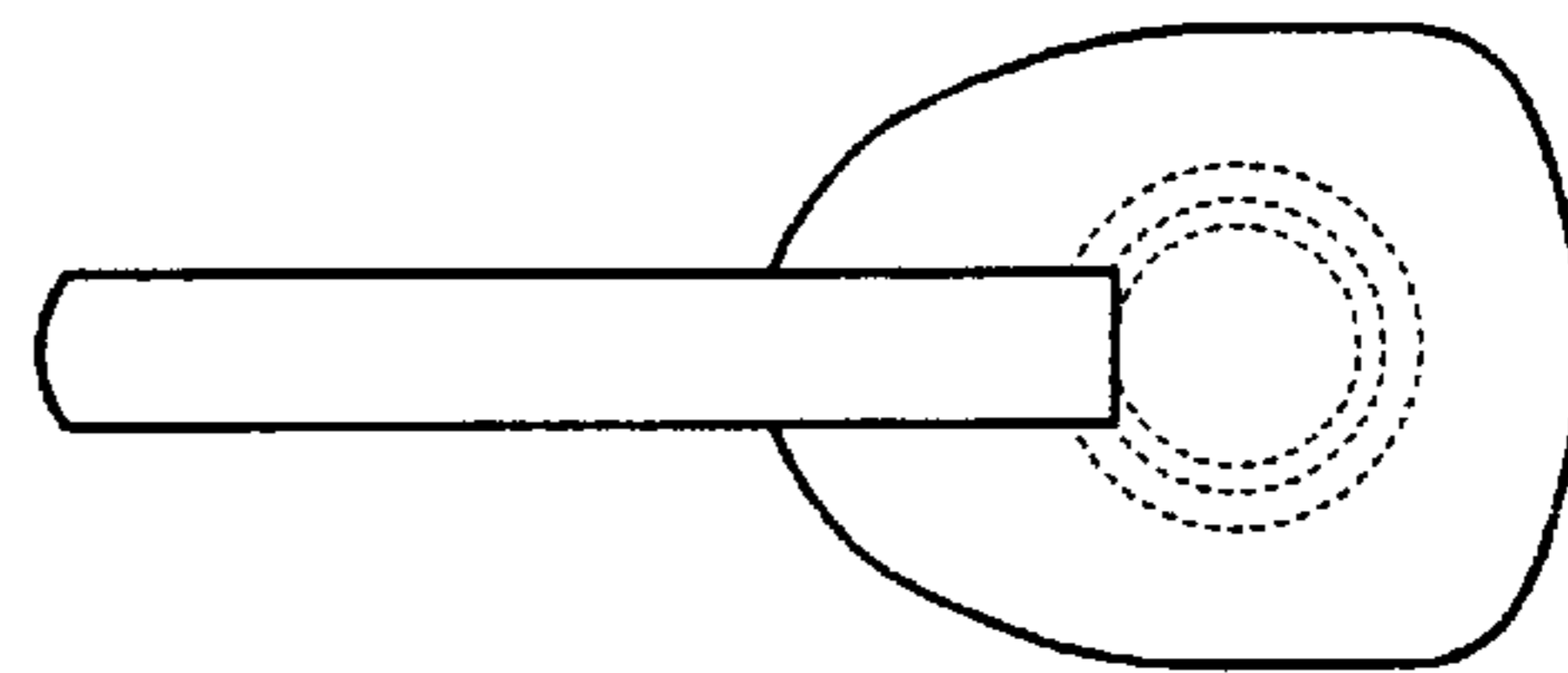


FIG. 23

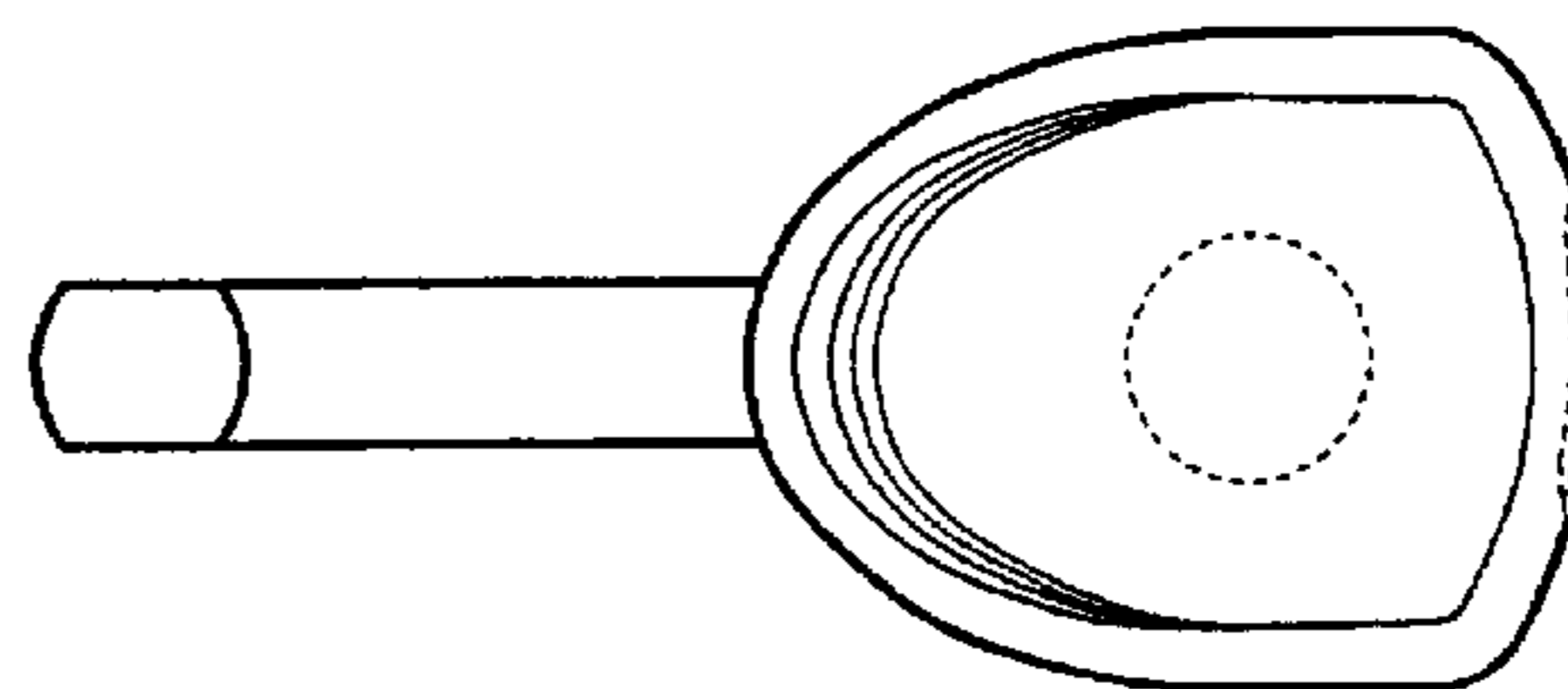


FIG. 24

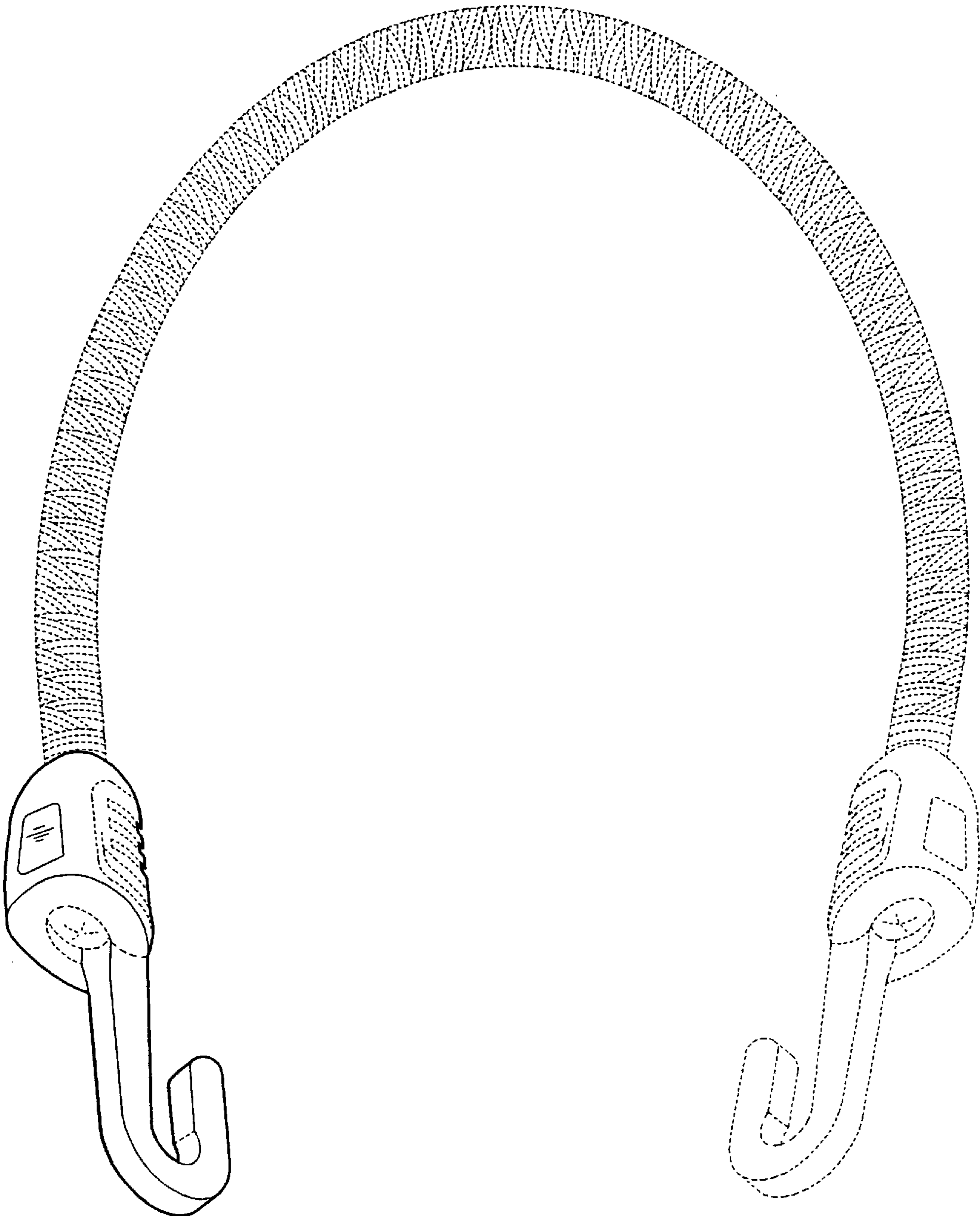


FIG. 25

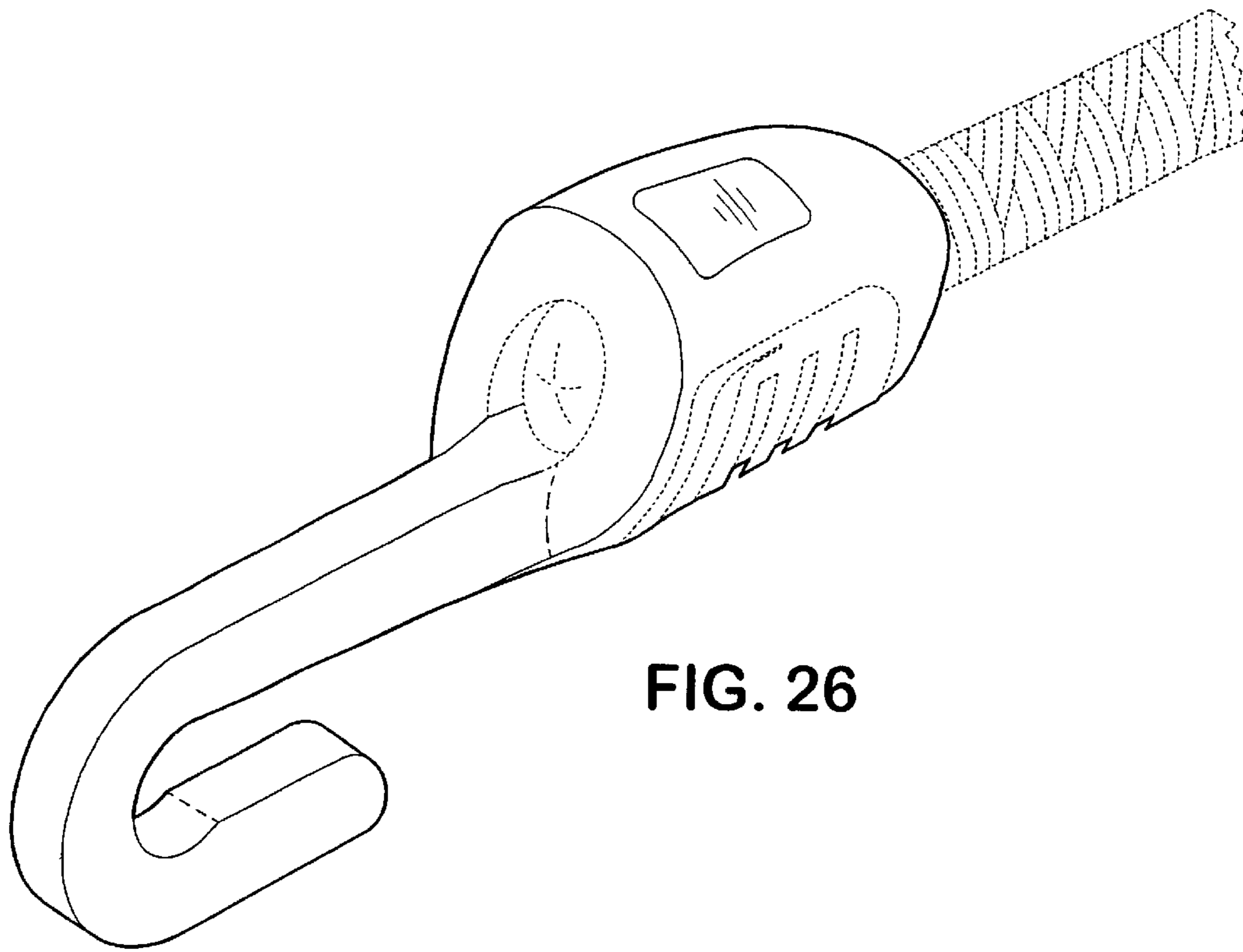


FIG. 26

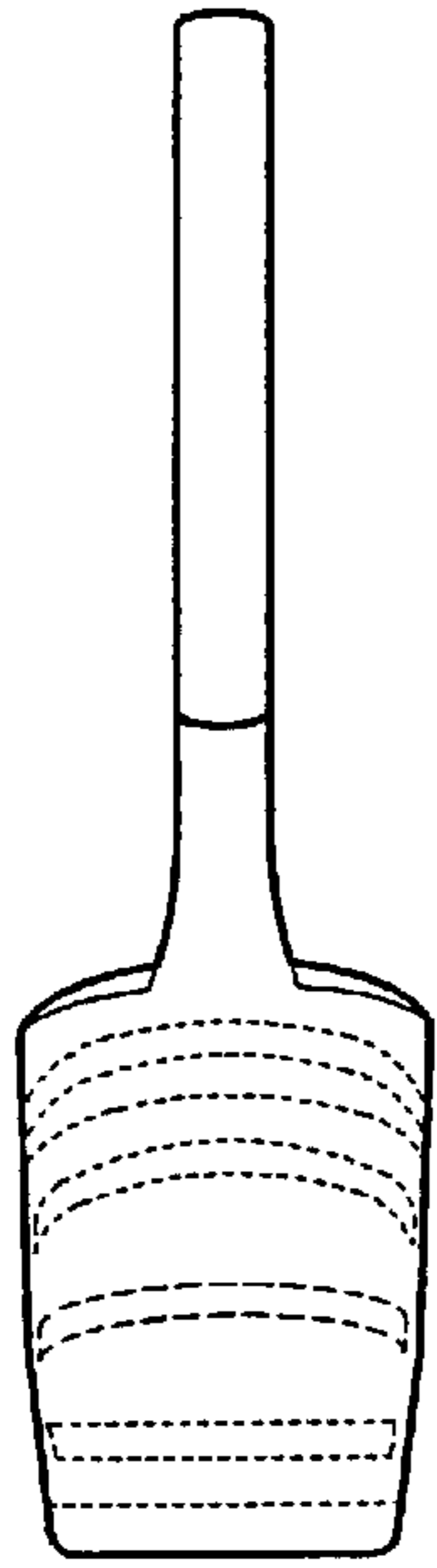


FIG. 27

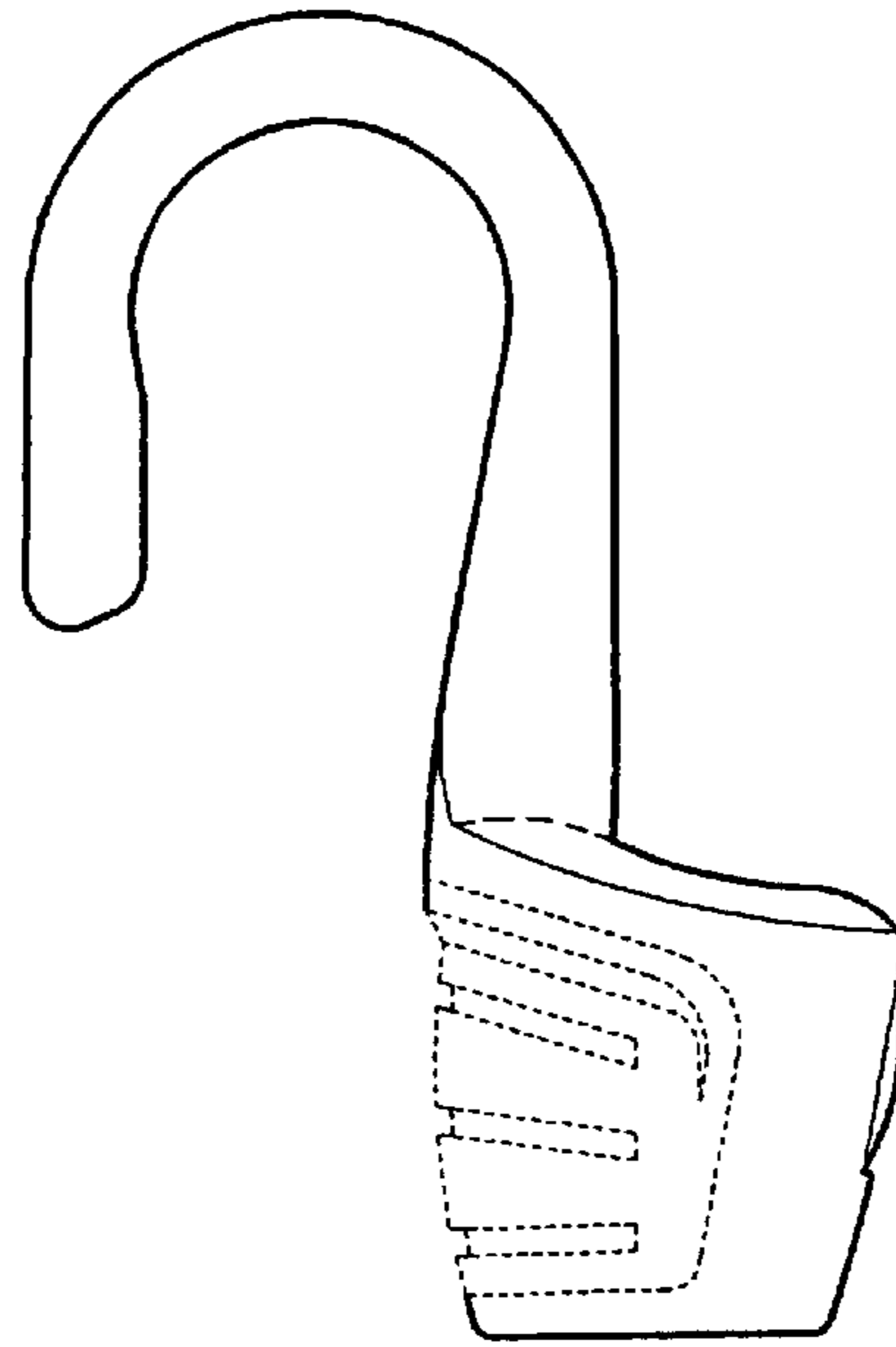


FIG. 28

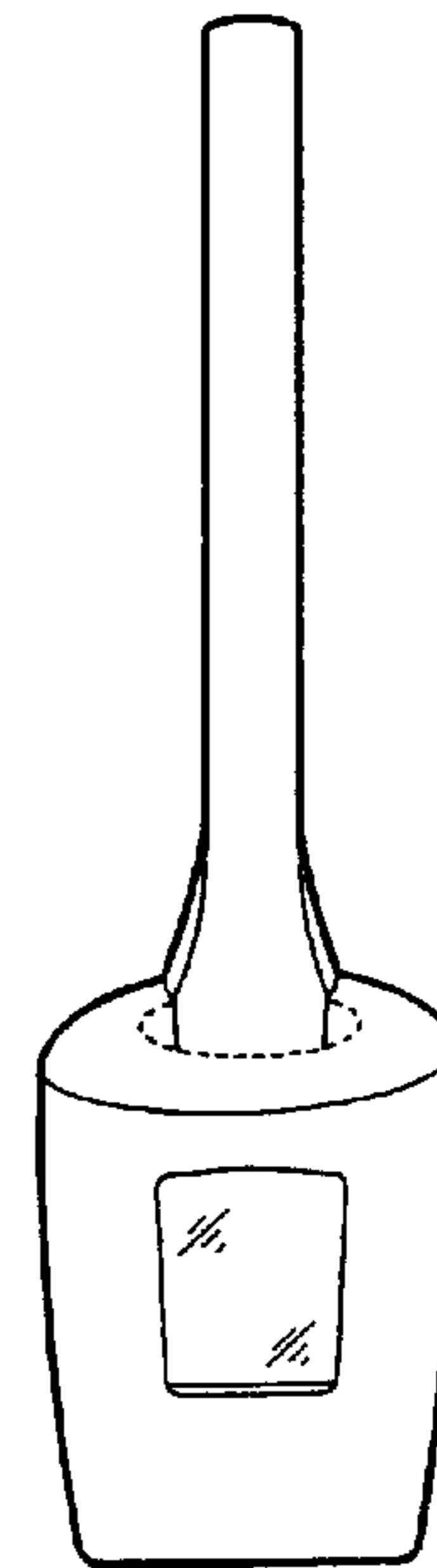


FIG. 29

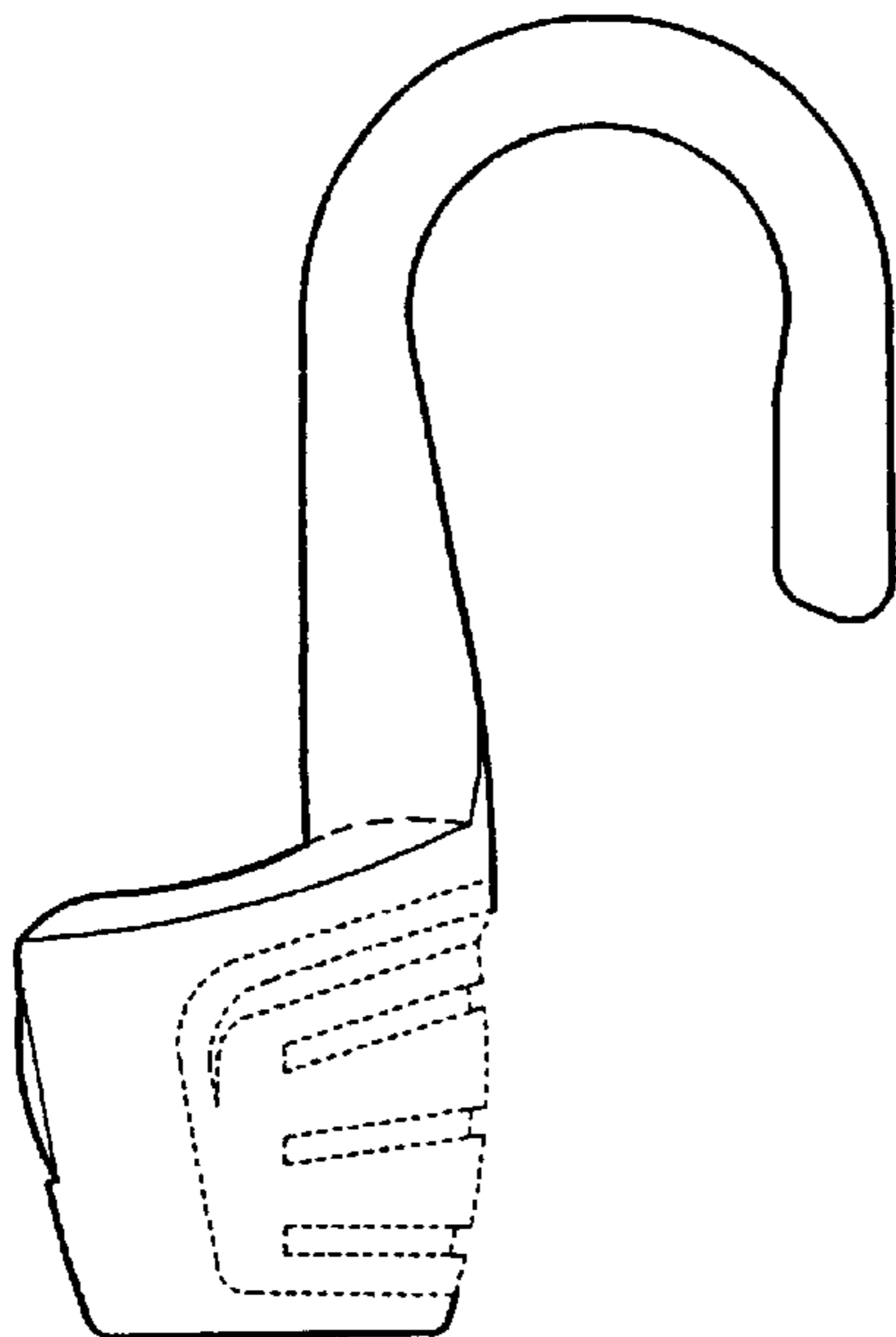


FIG. 30

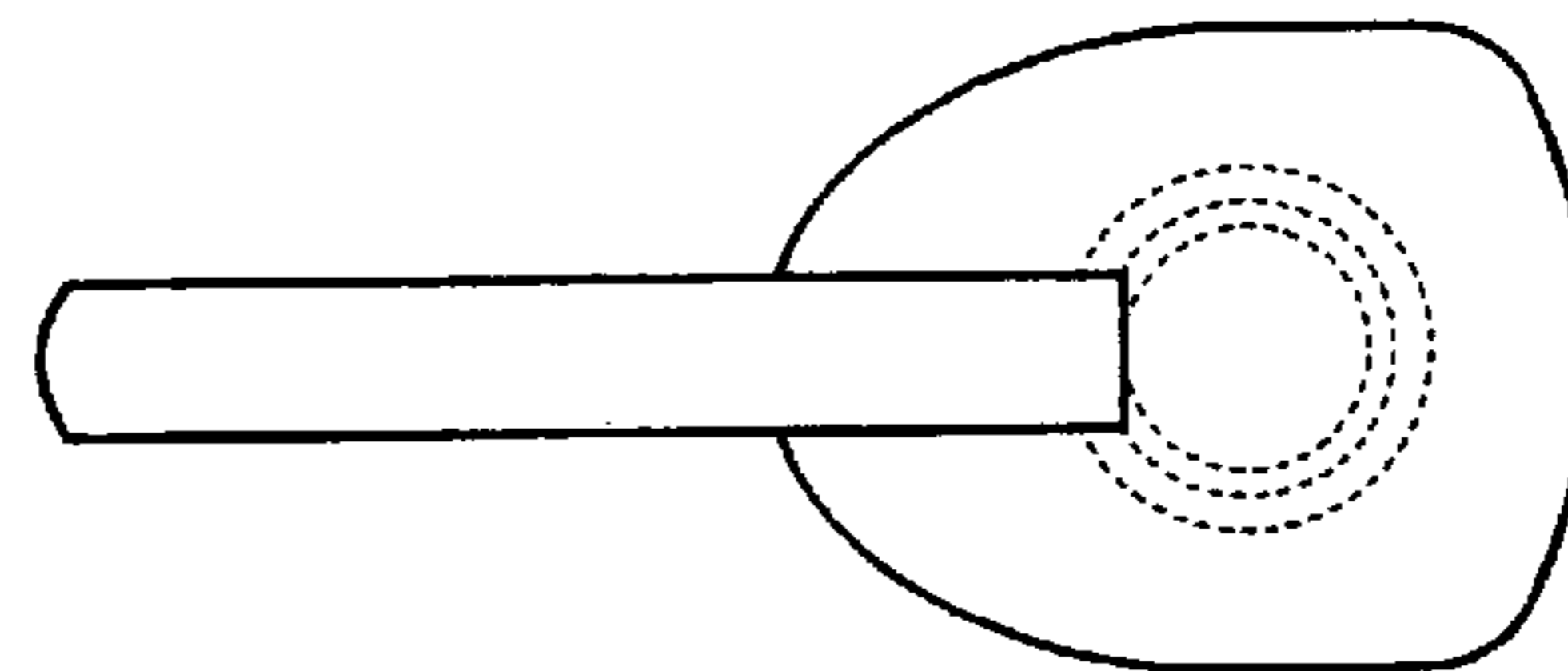


FIG. 31

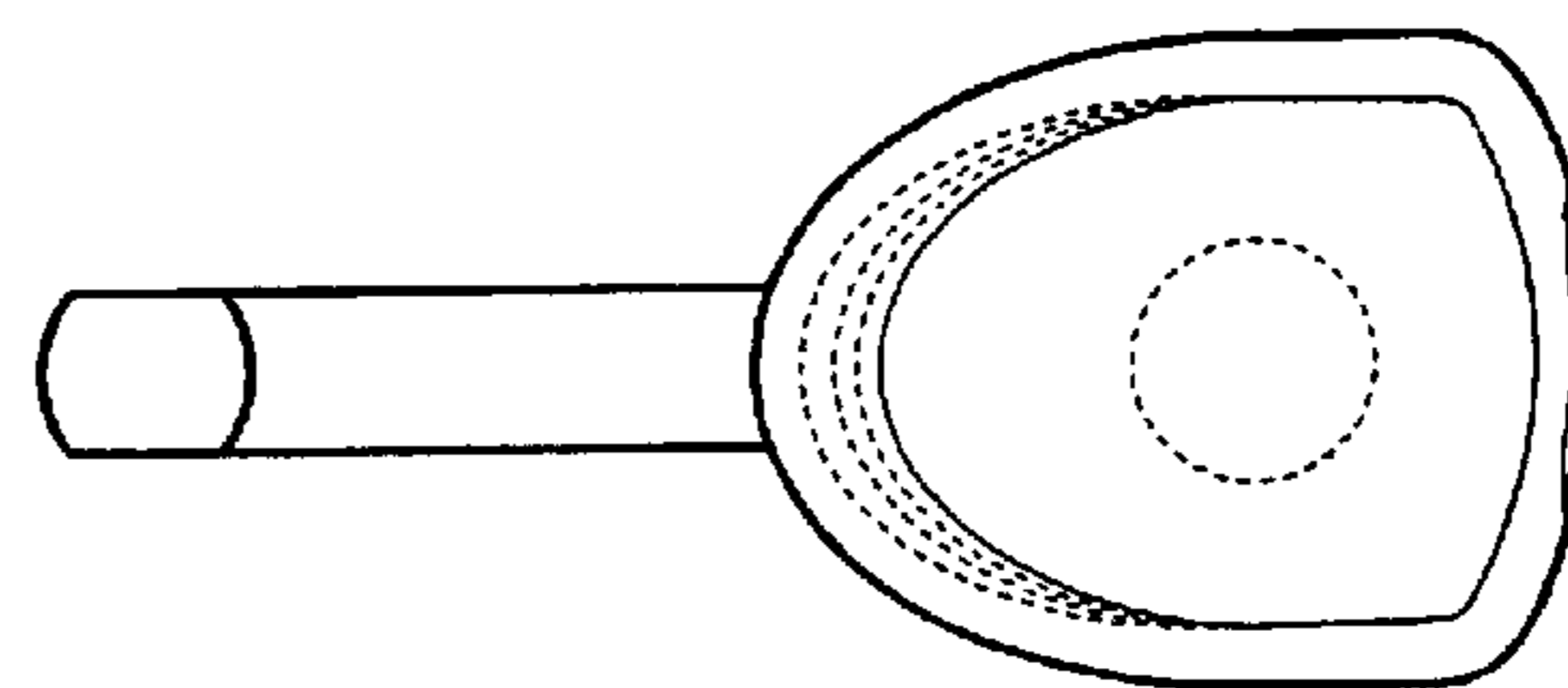


FIG. 32

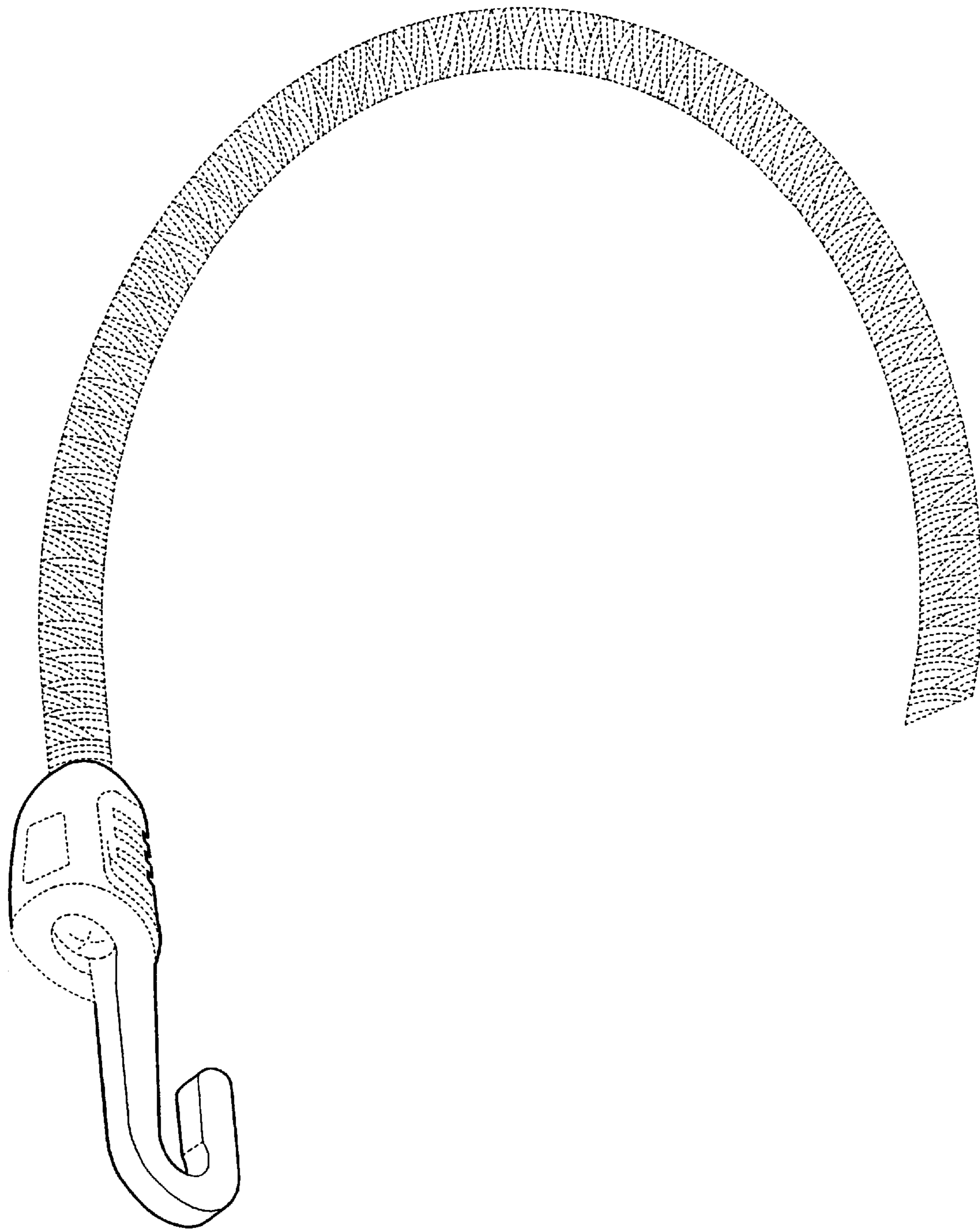


FIG. 33

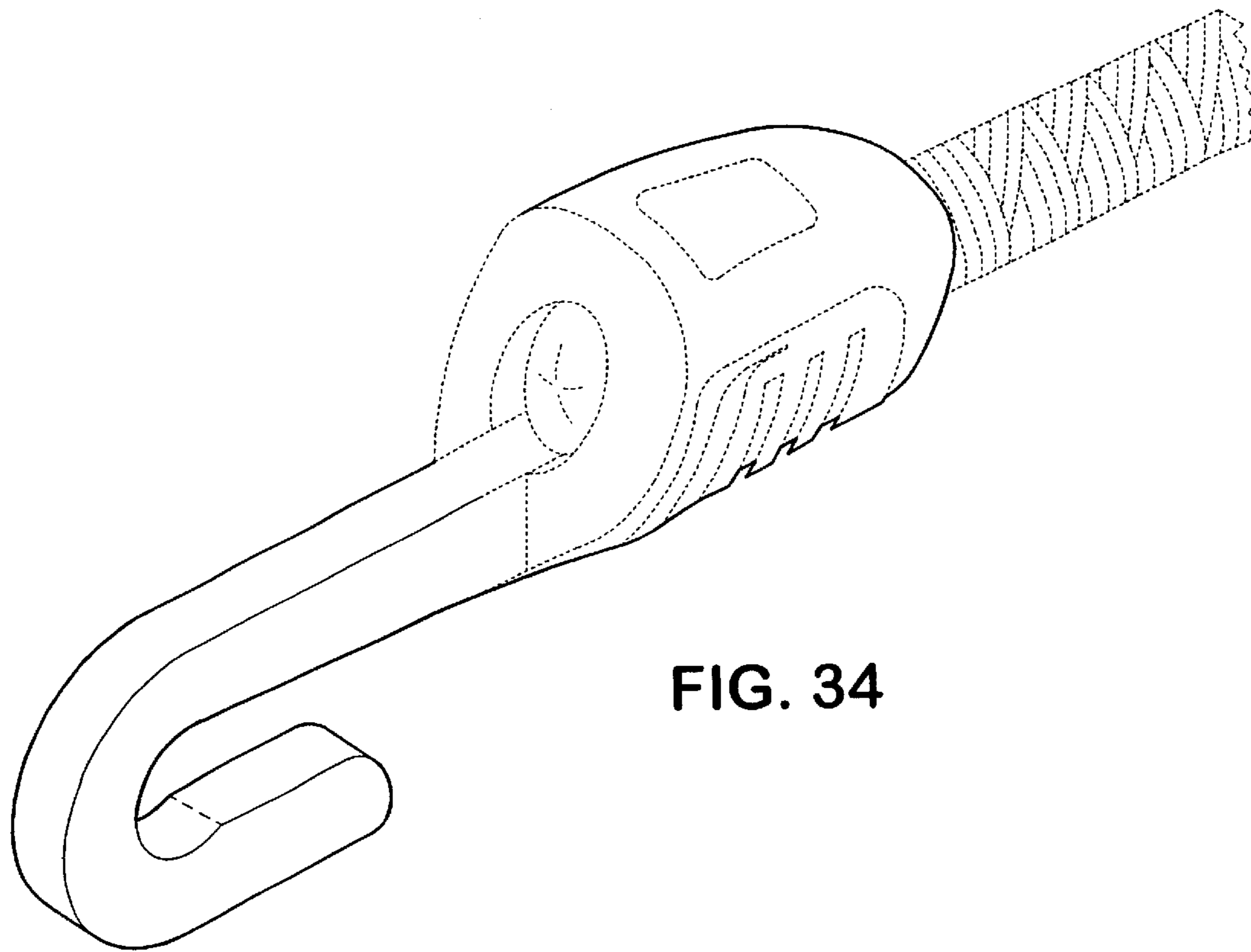


FIG. 34



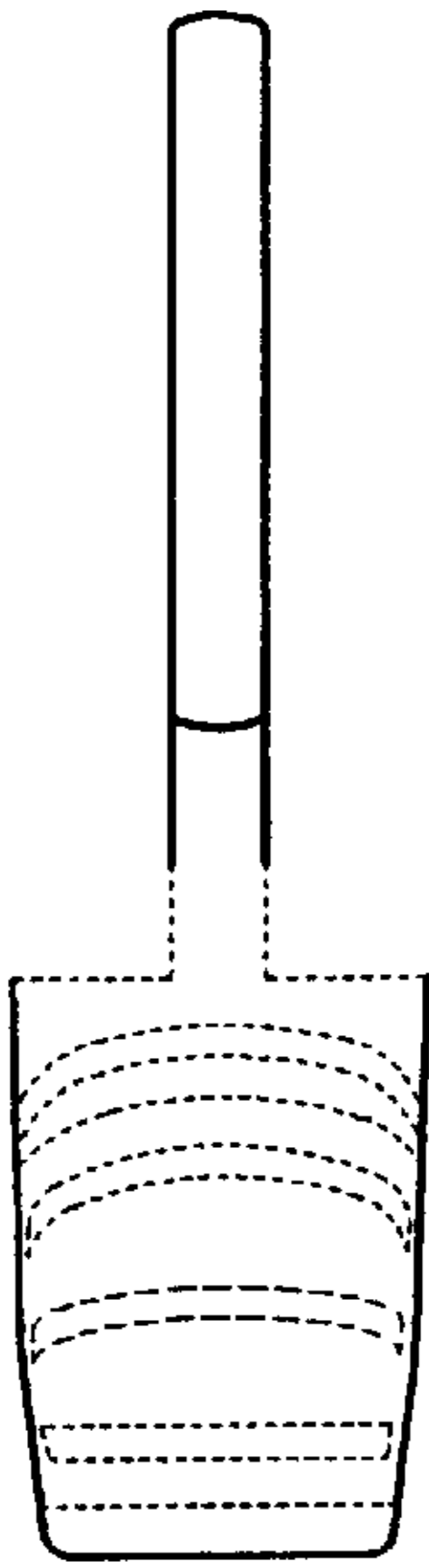


FIG. 35

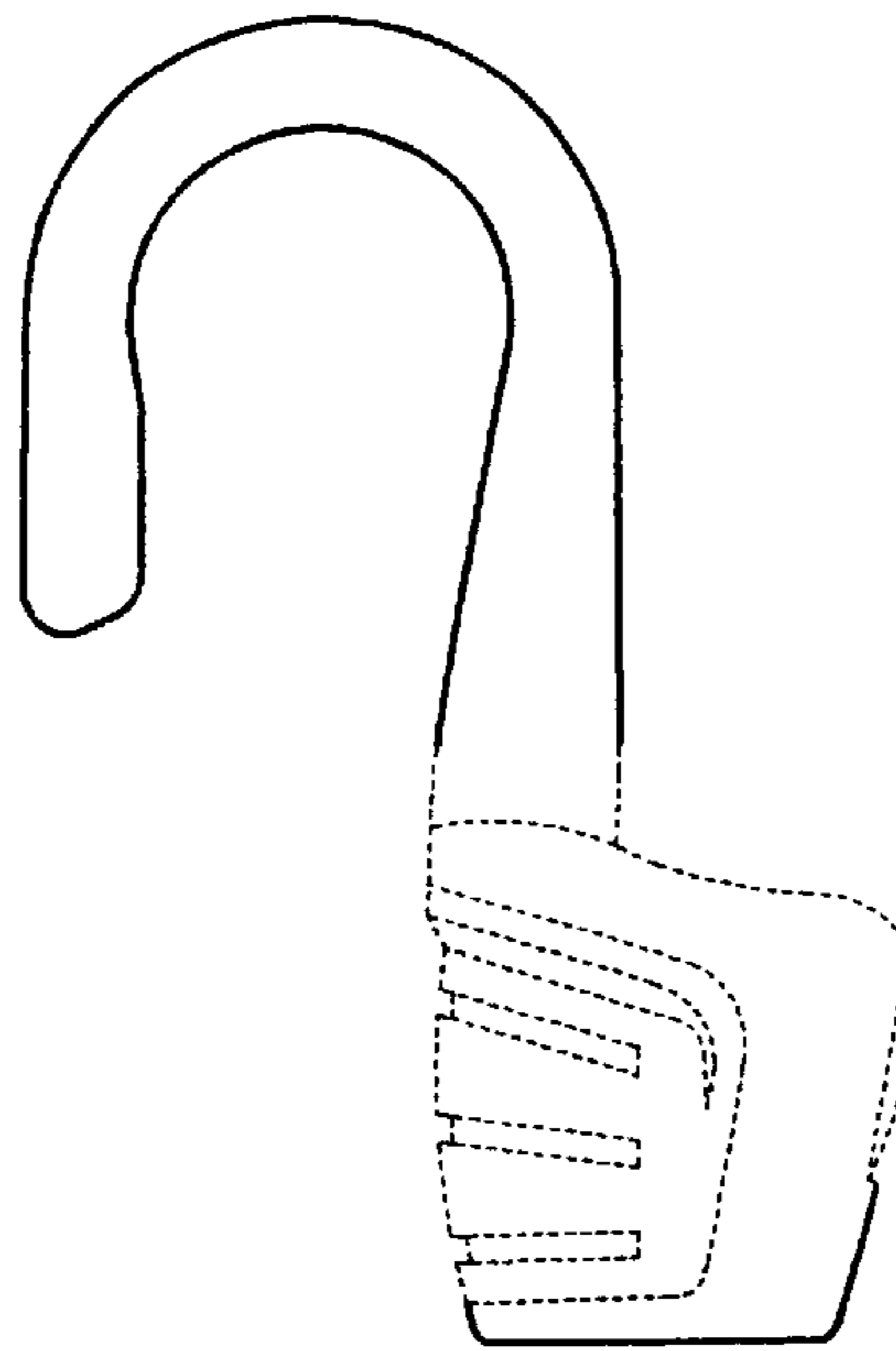


FIG. 36

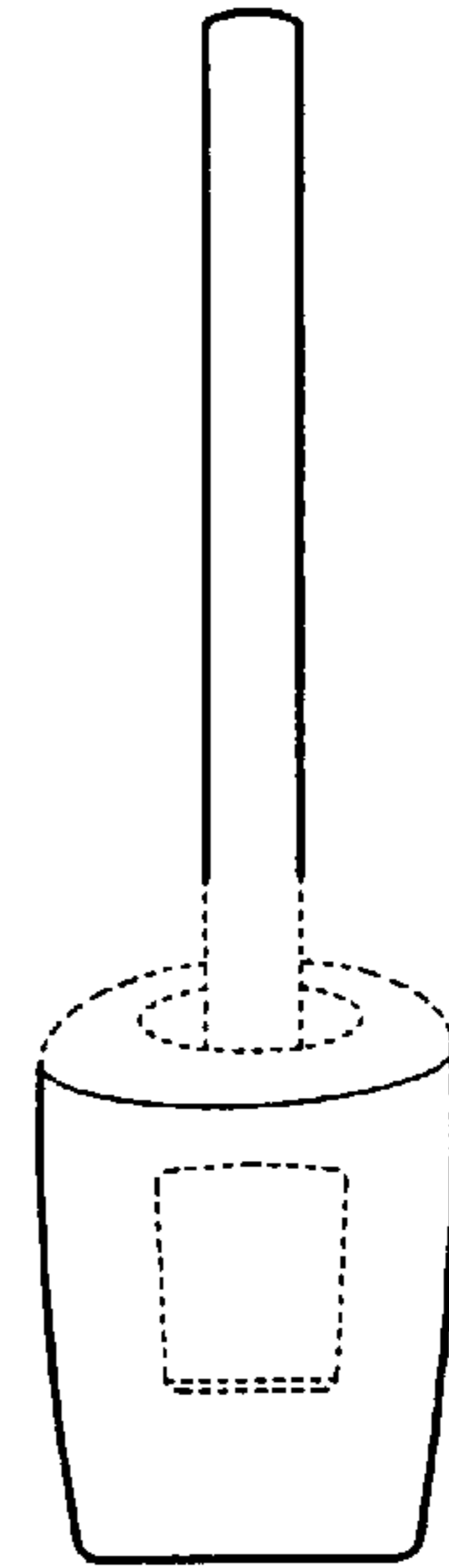


FIG. 37

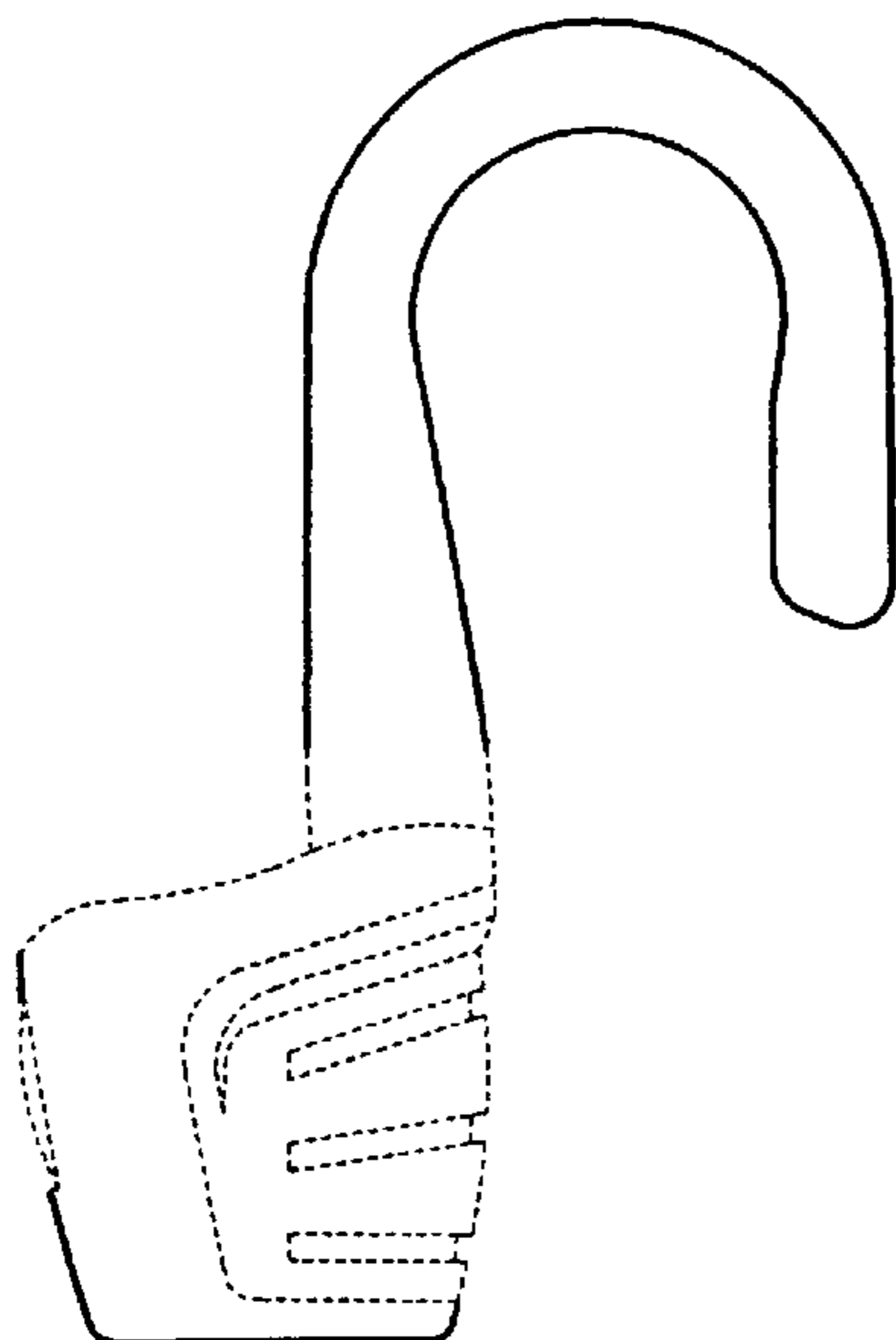


FIG. 38

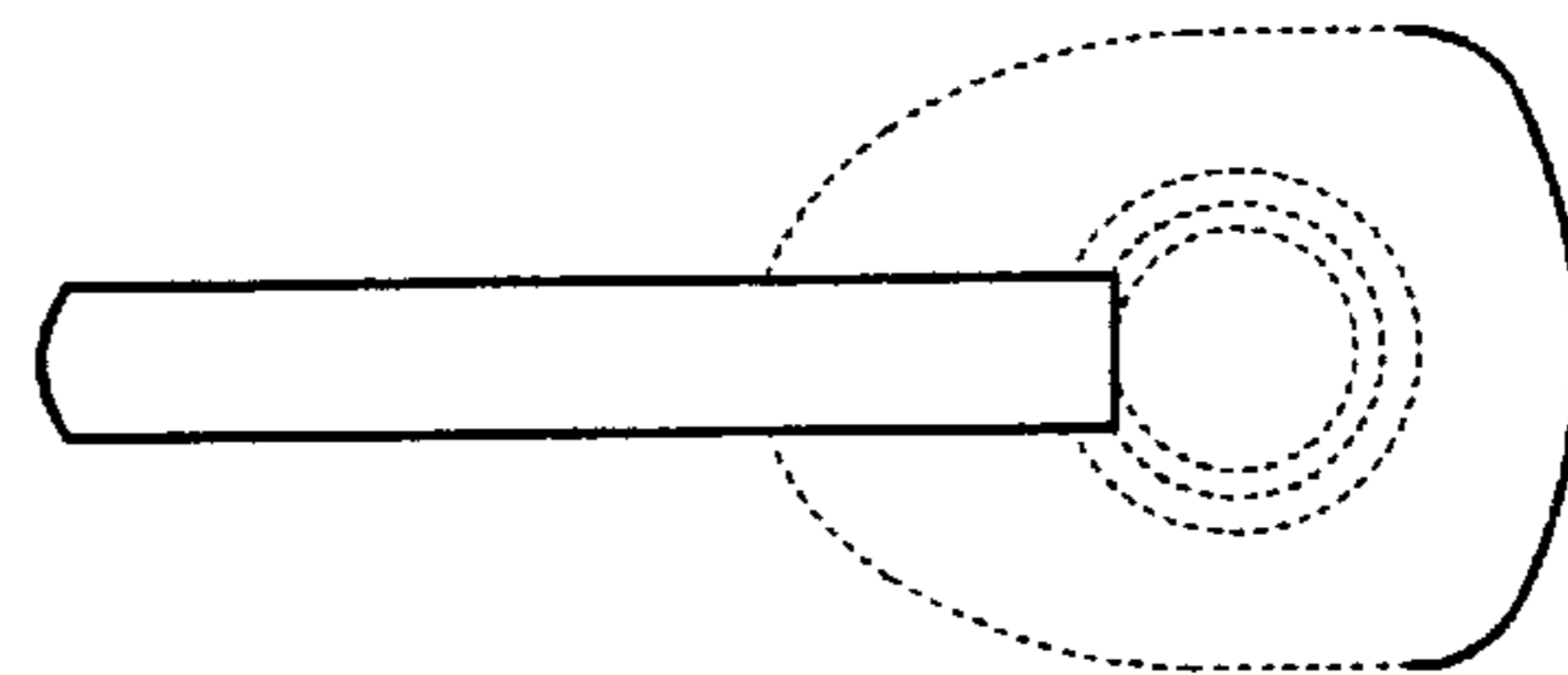


FIG. 39

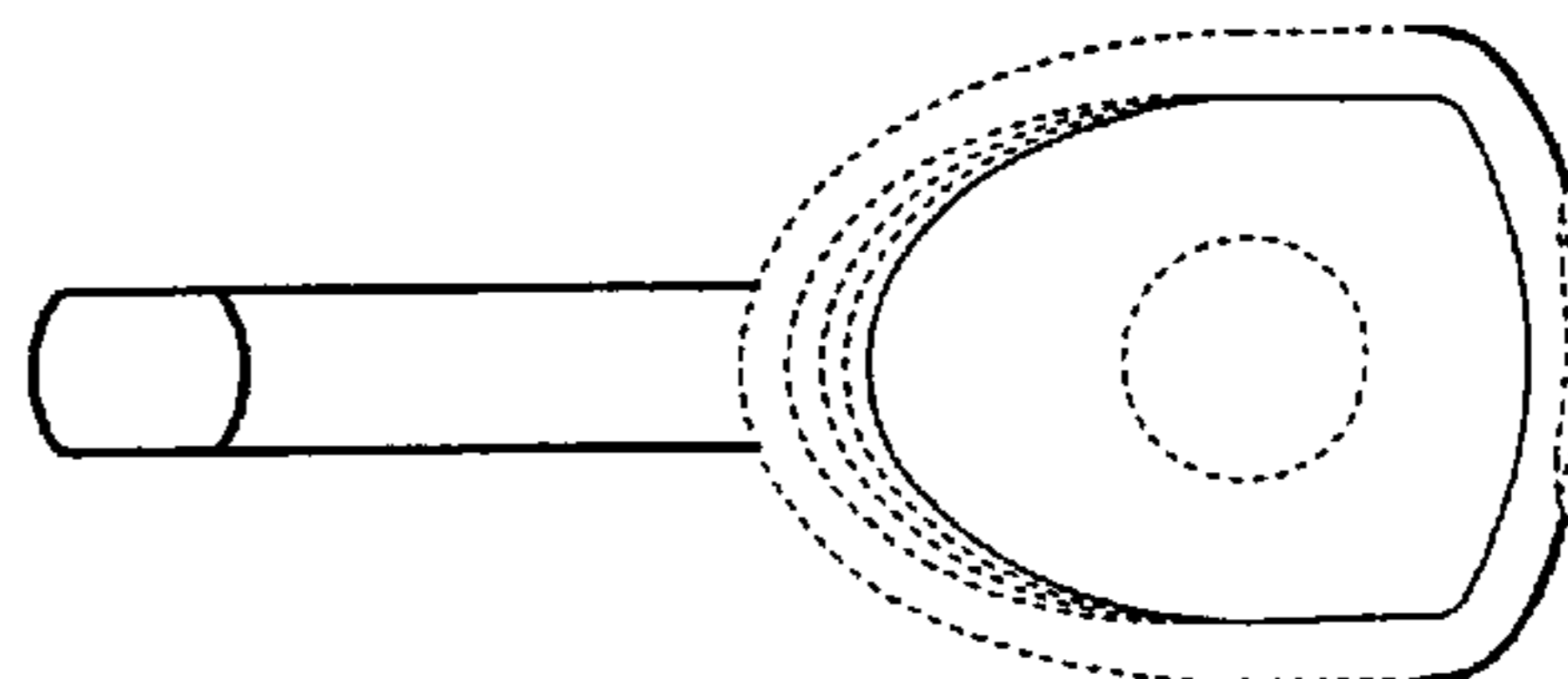


FIG. 40

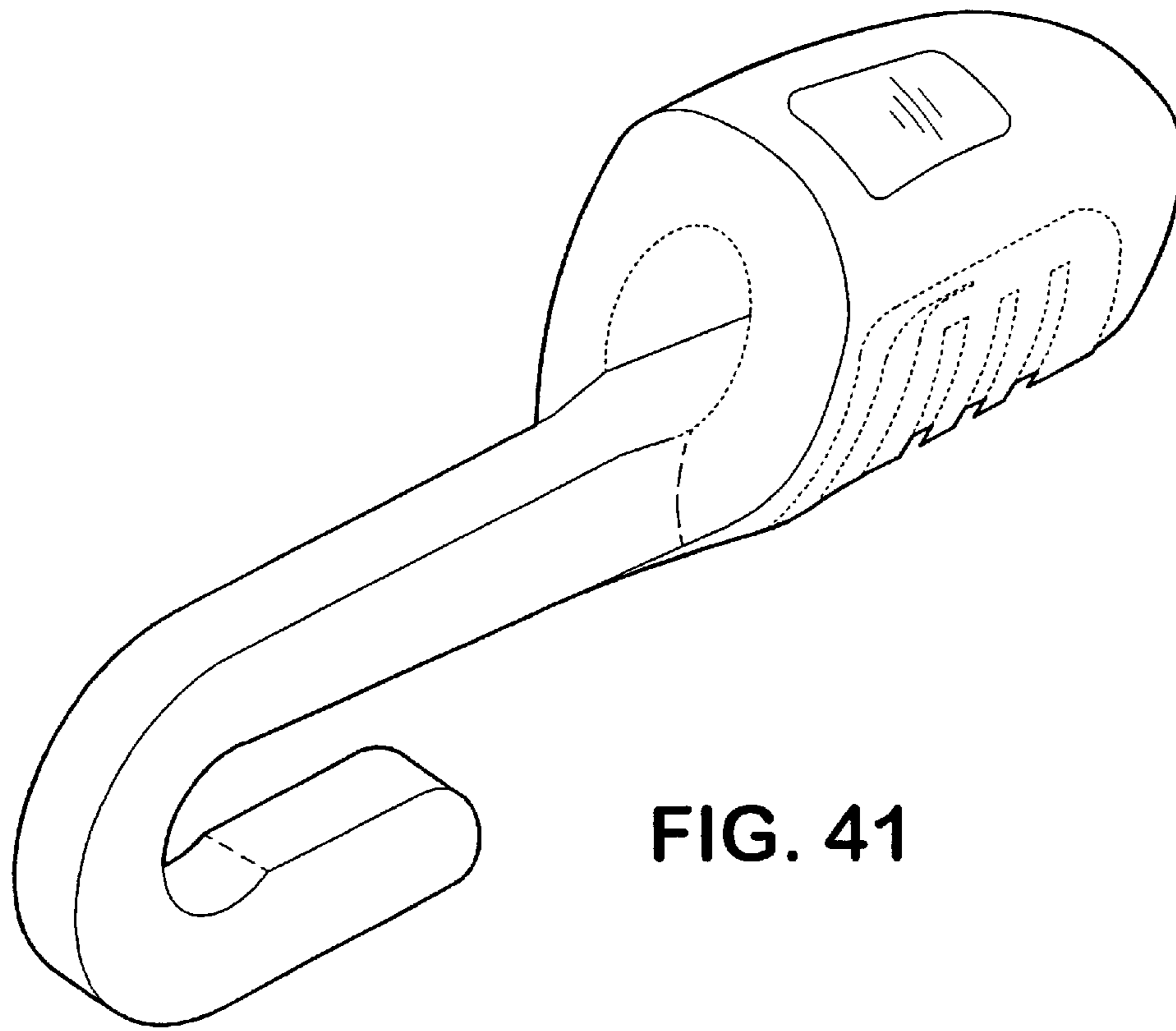


FIG. 41

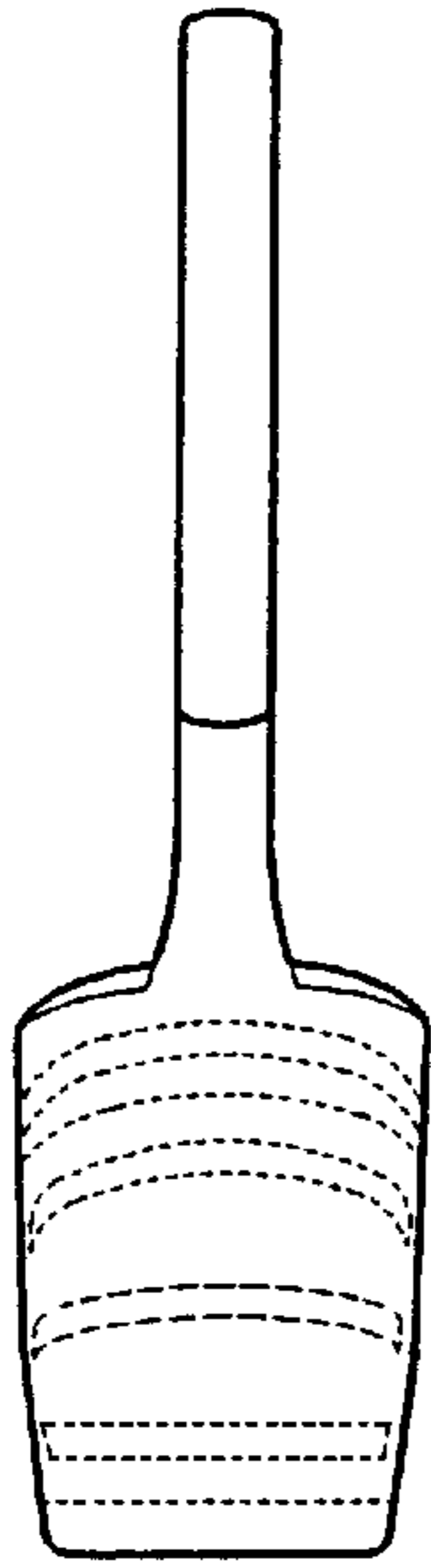


FIG. 42

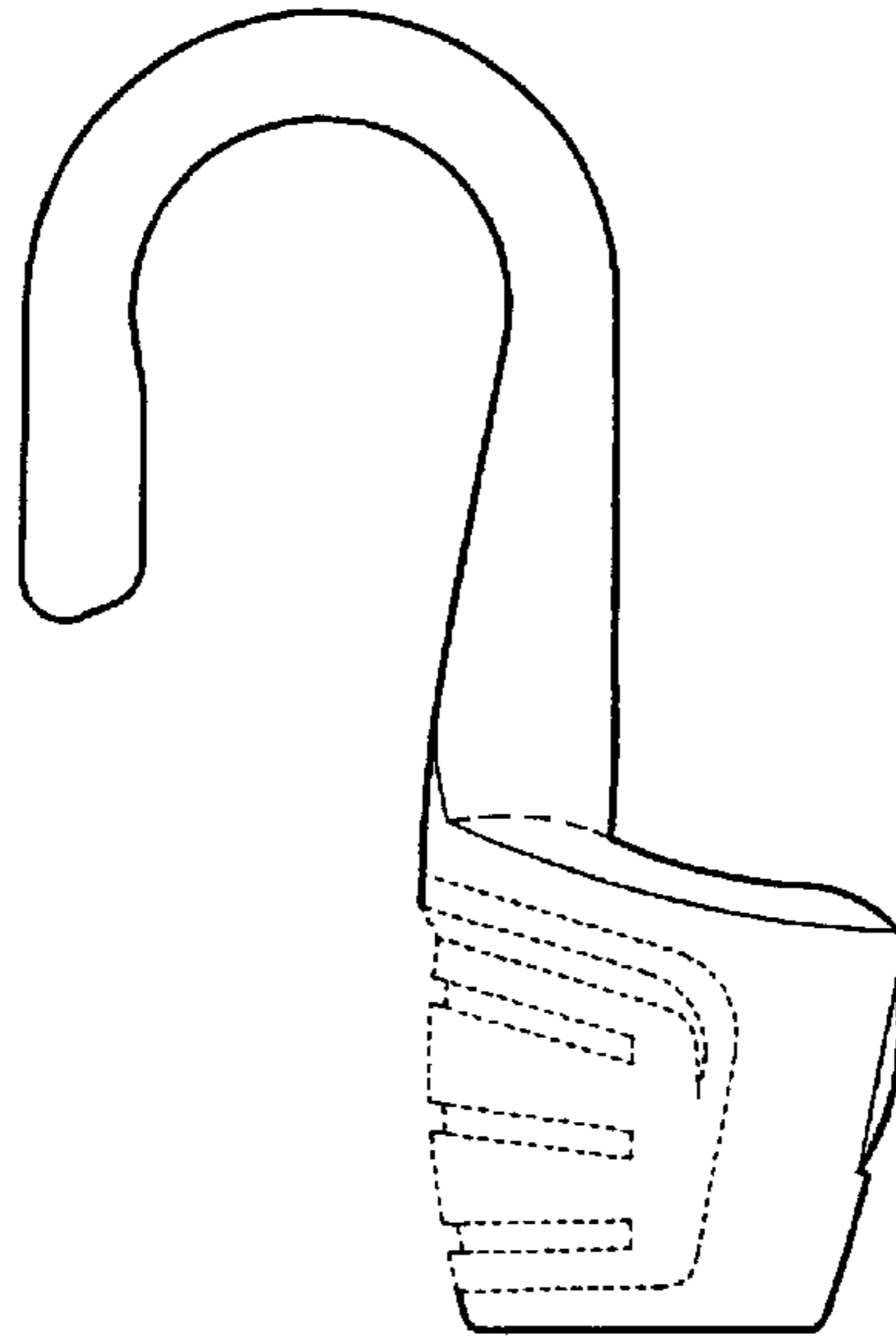


FIG. 43

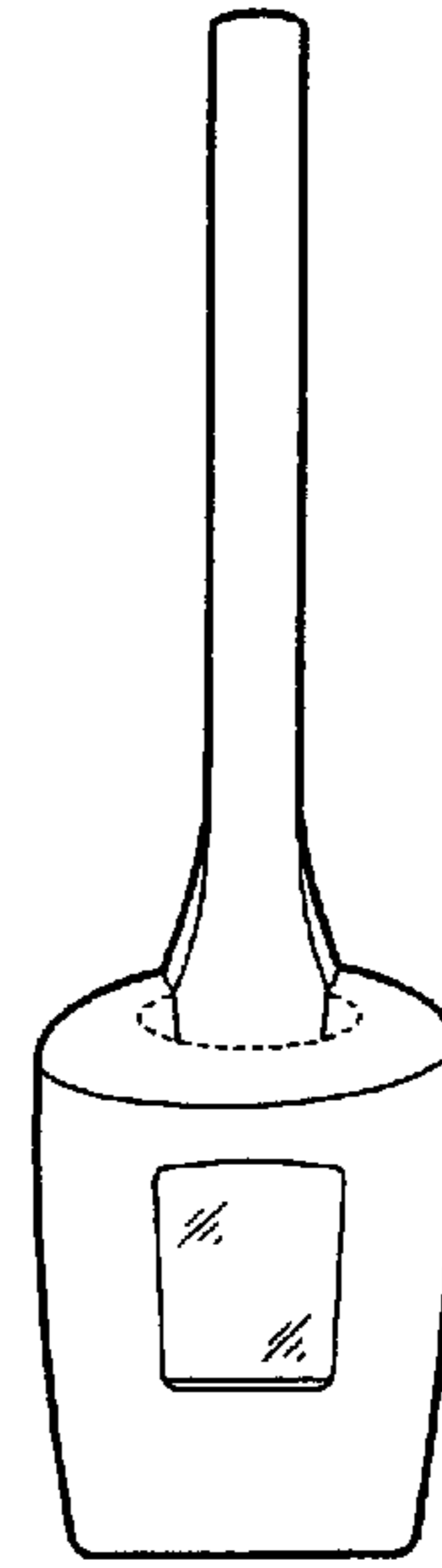


FIG. 44

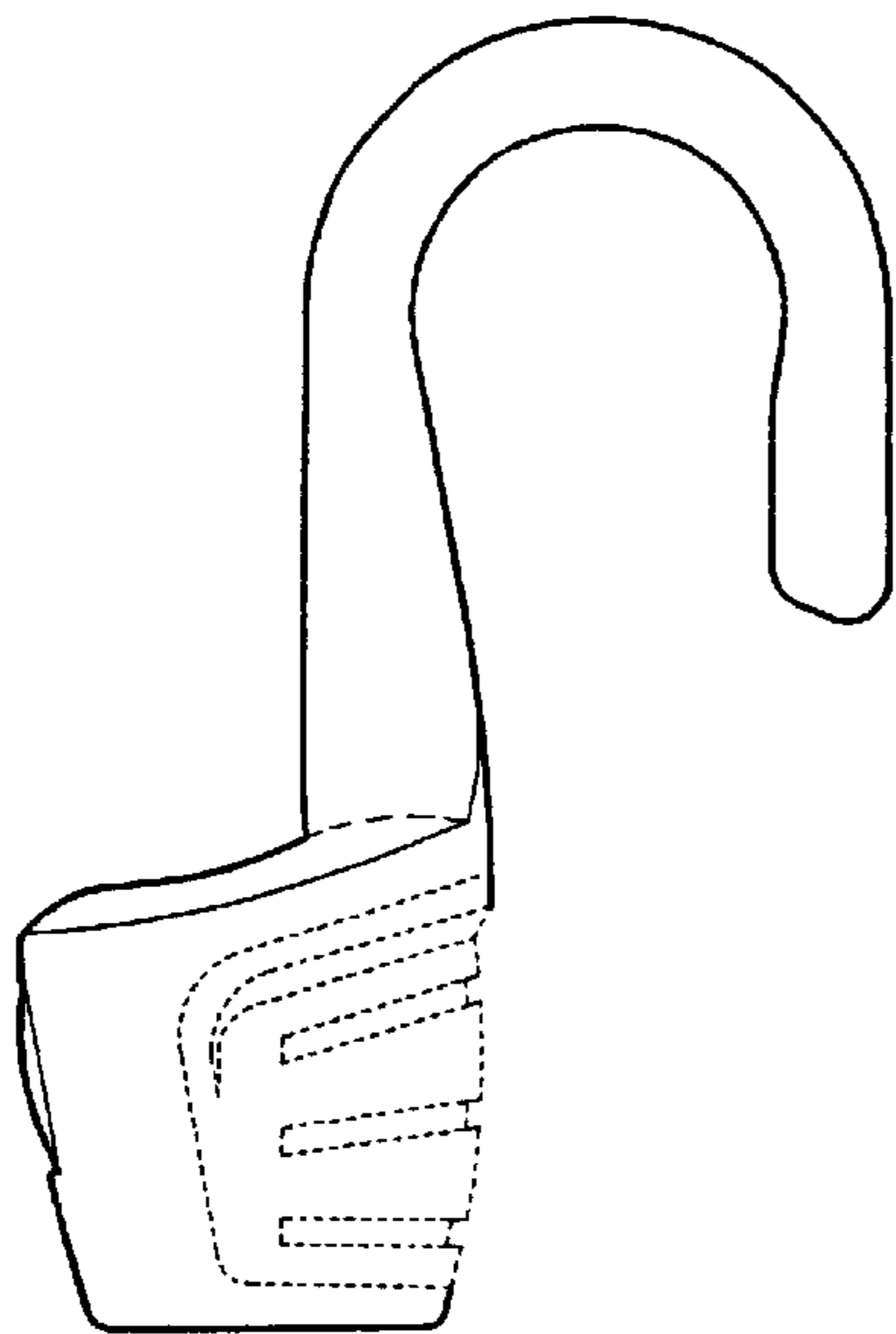


FIG. 45

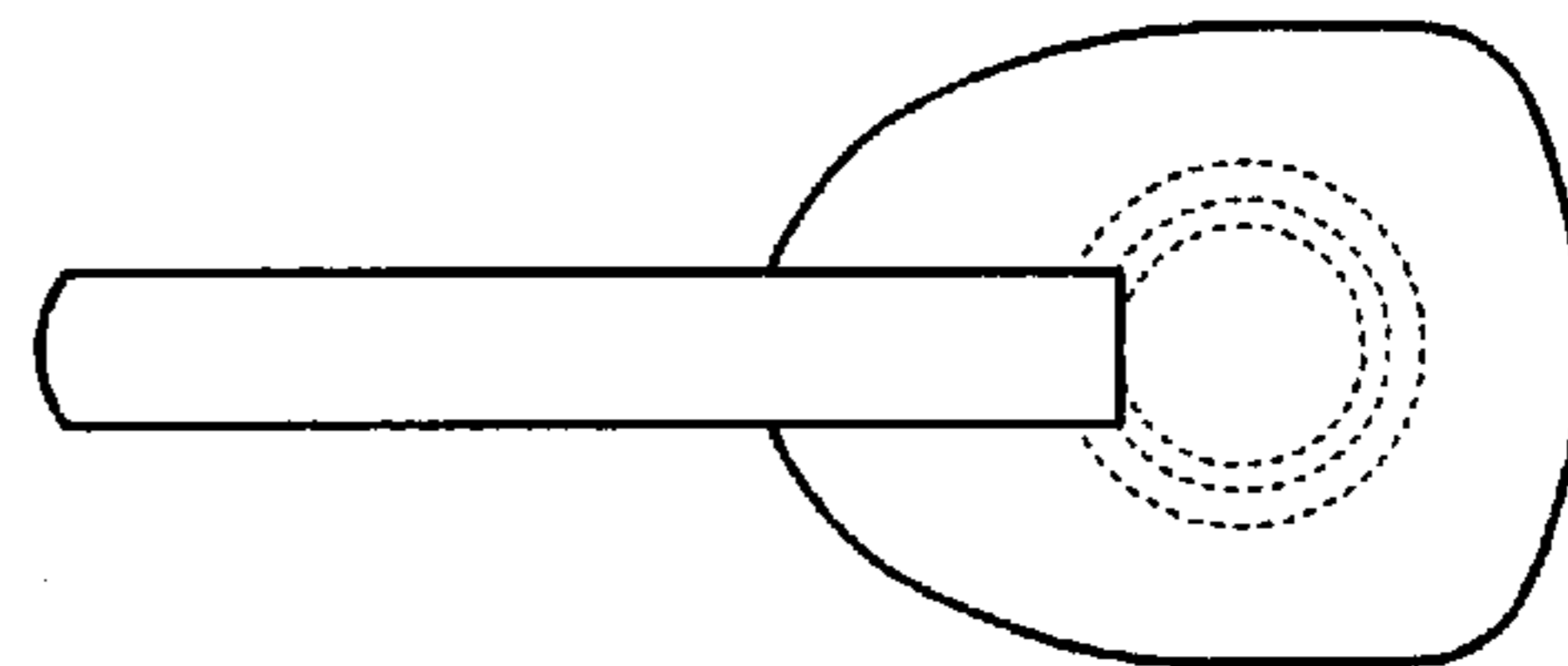


FIG. 46

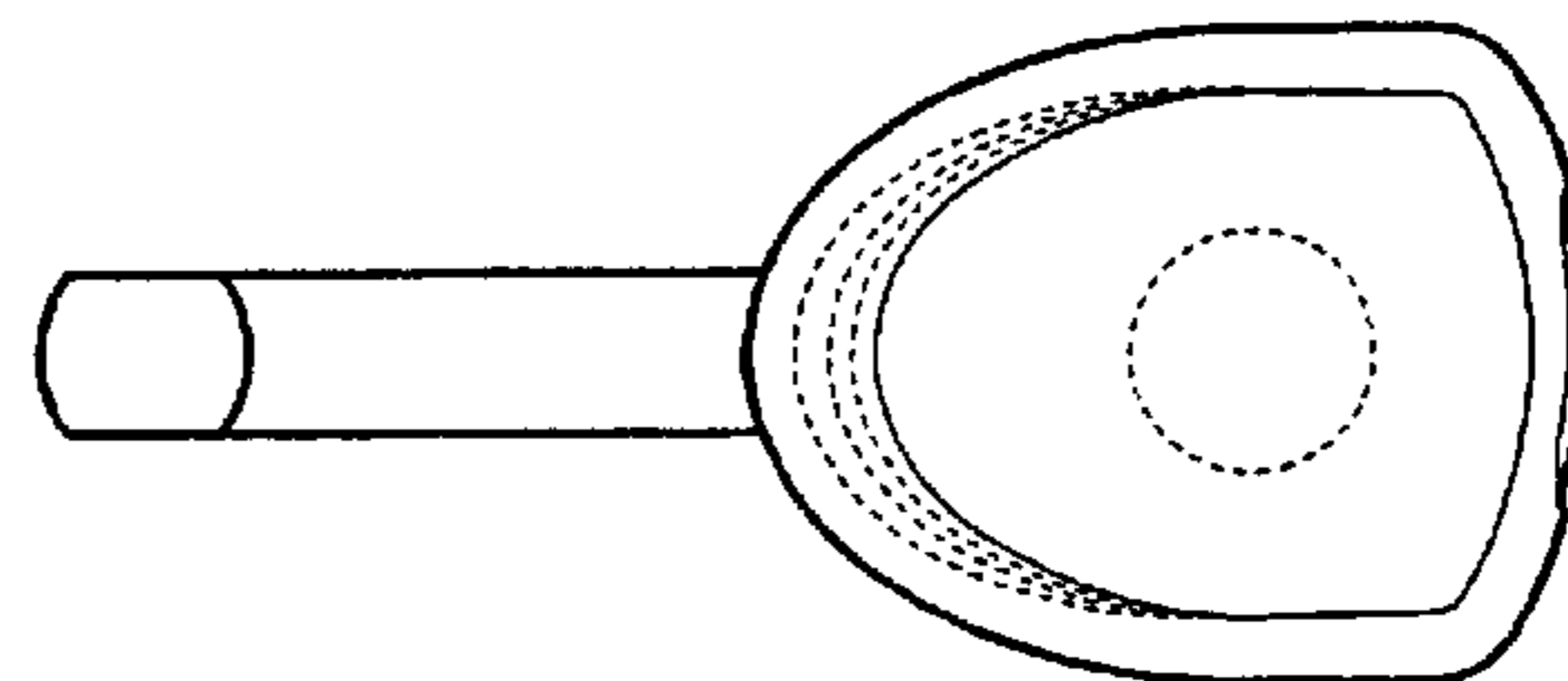
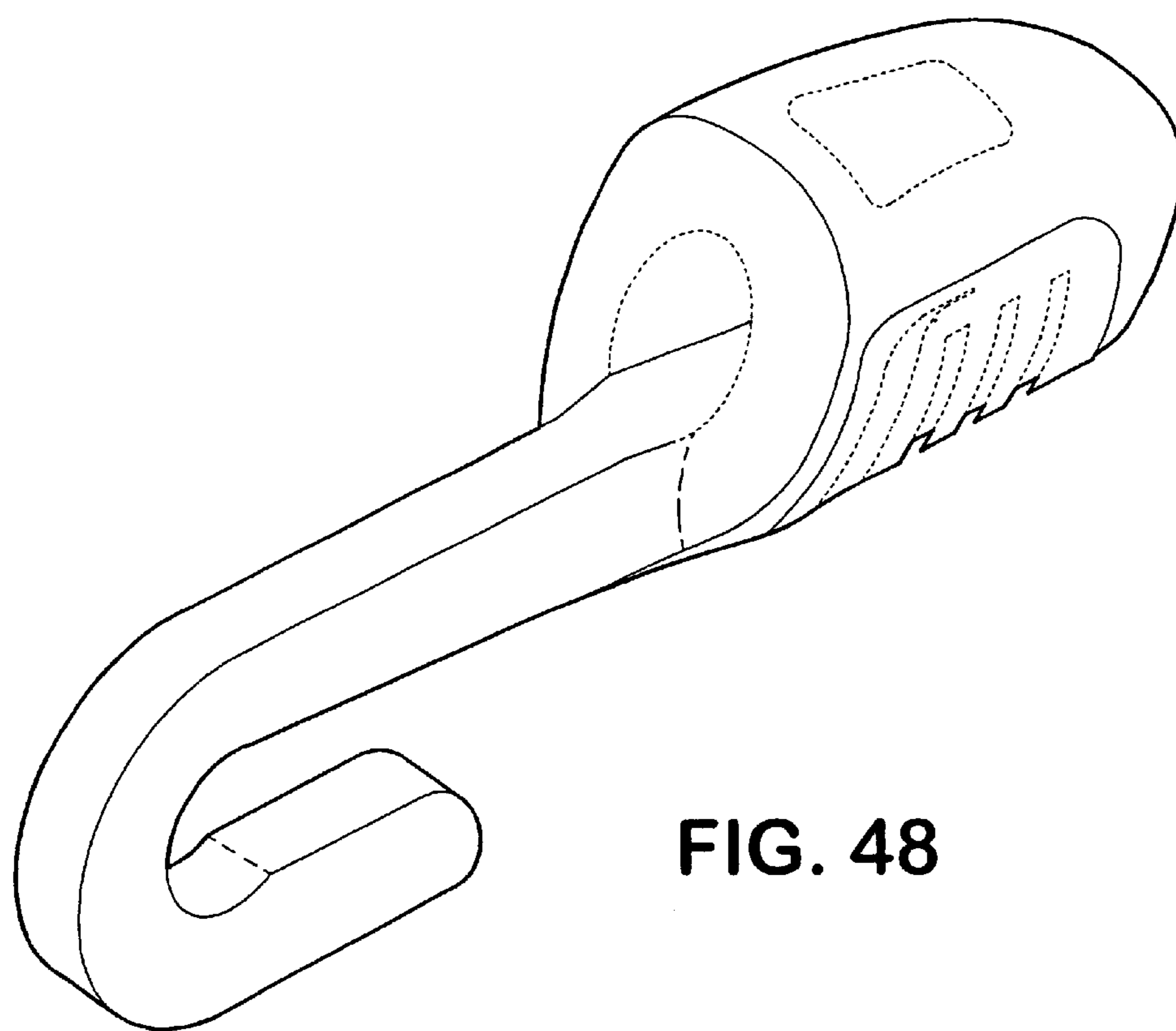


FIG. 47



**FIG. 48**

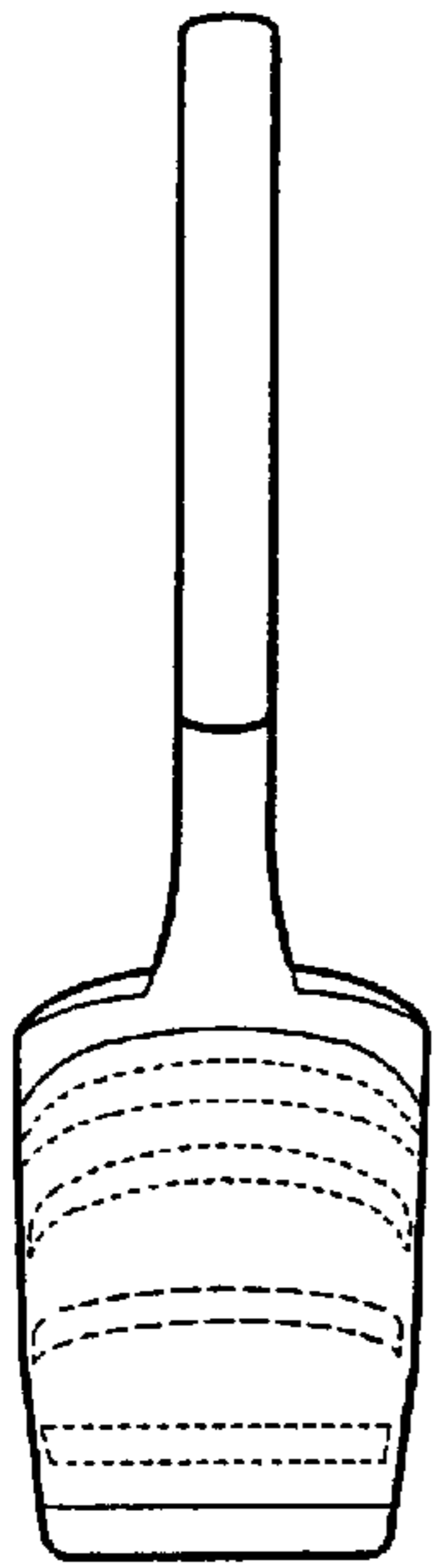


FIG. 49

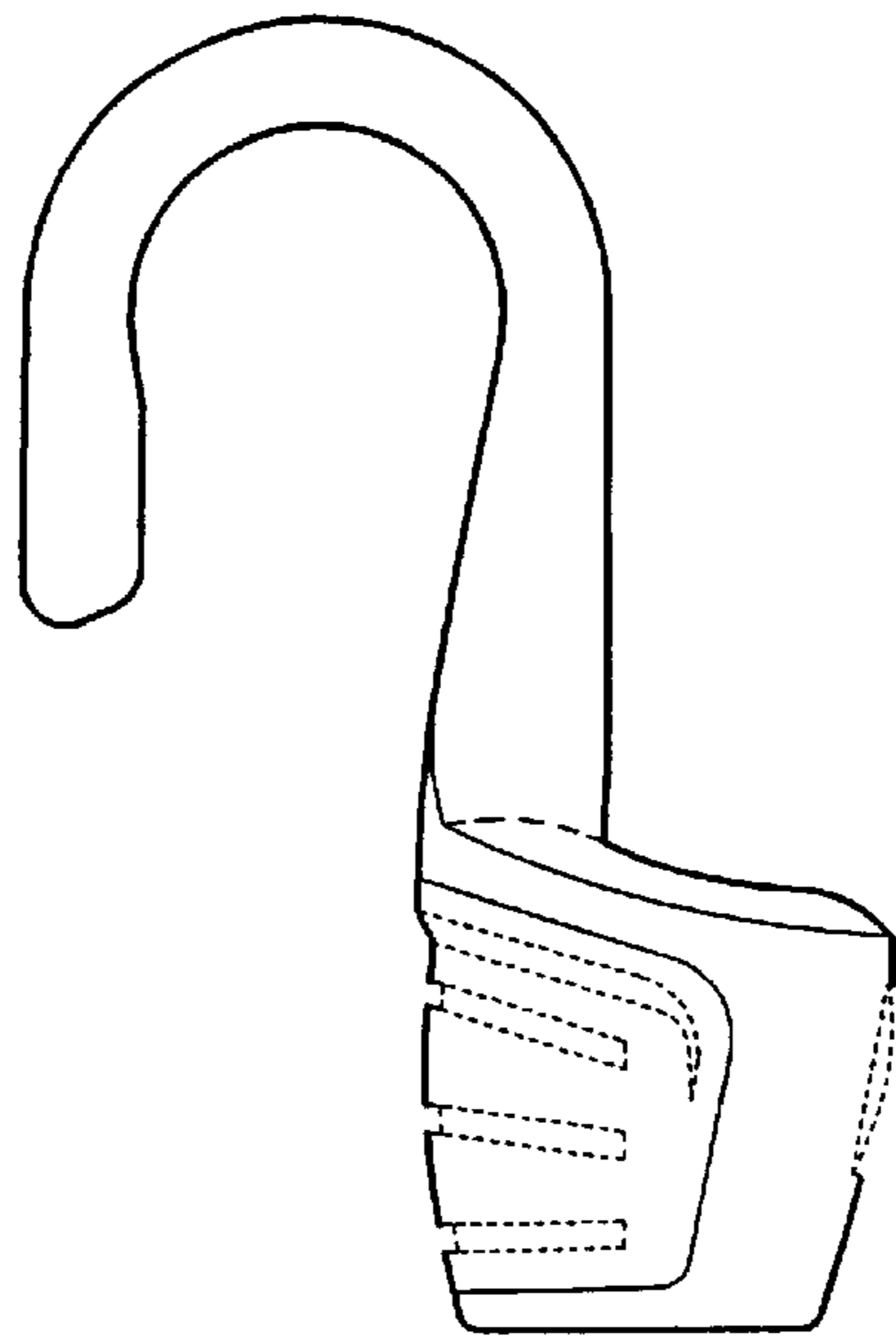


FIG. 50

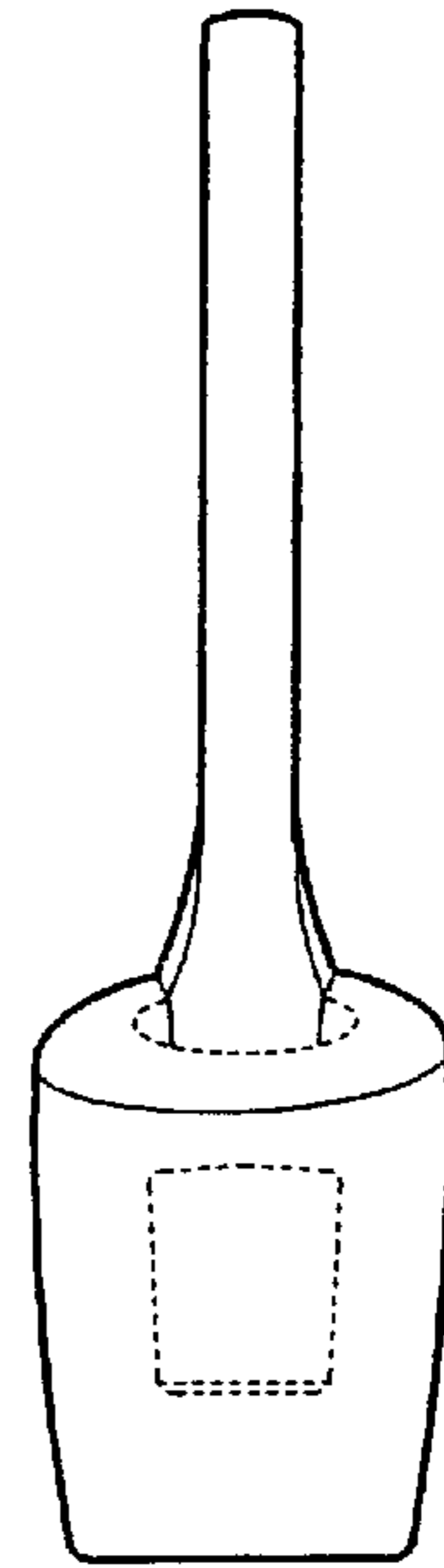


FIG. 51

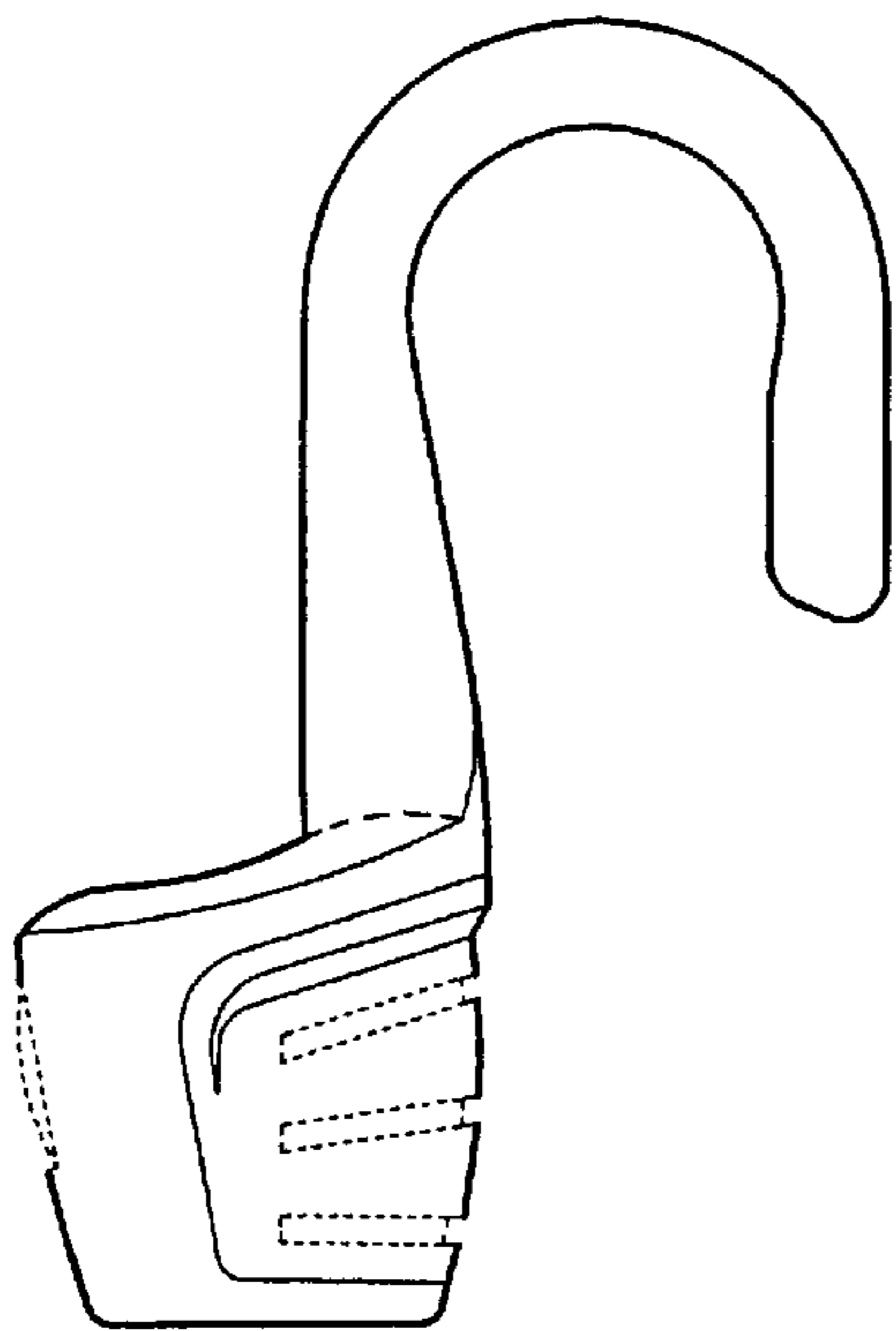


FIG. 52

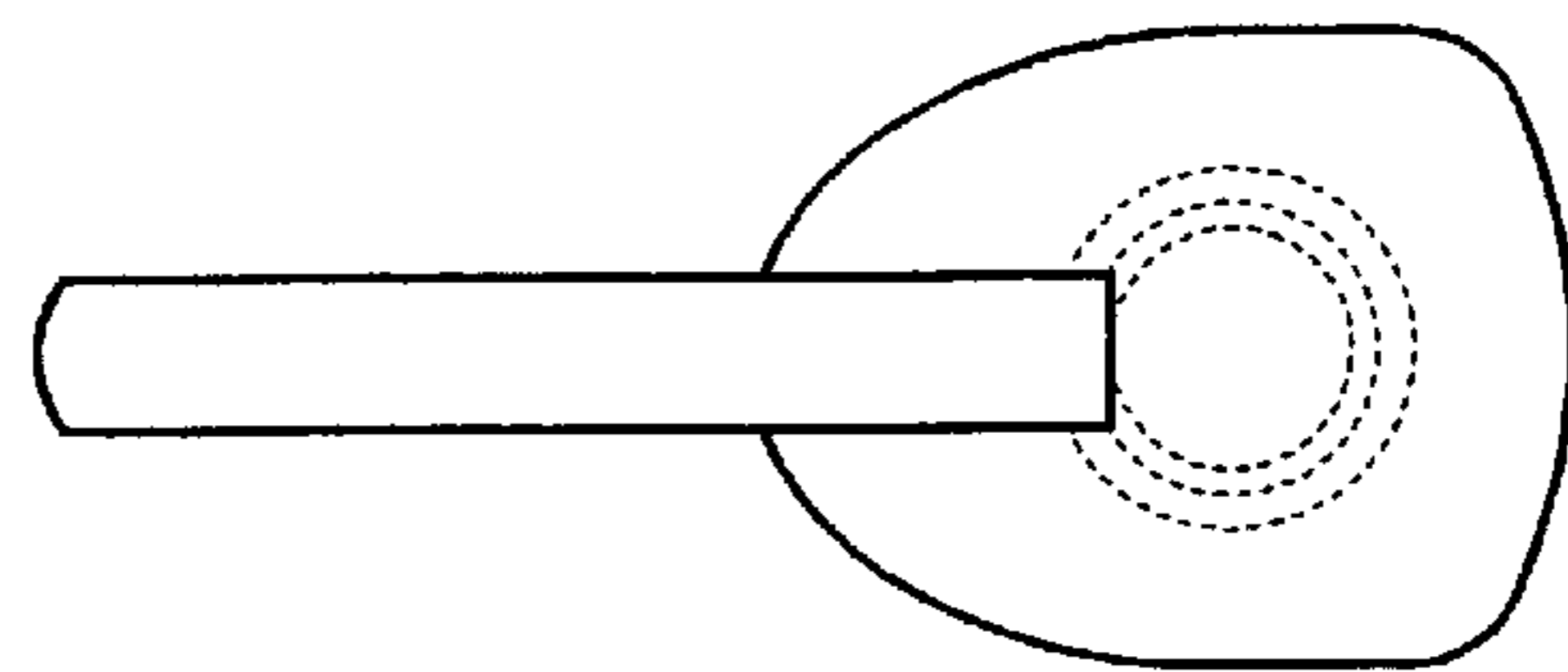


FIG. 53

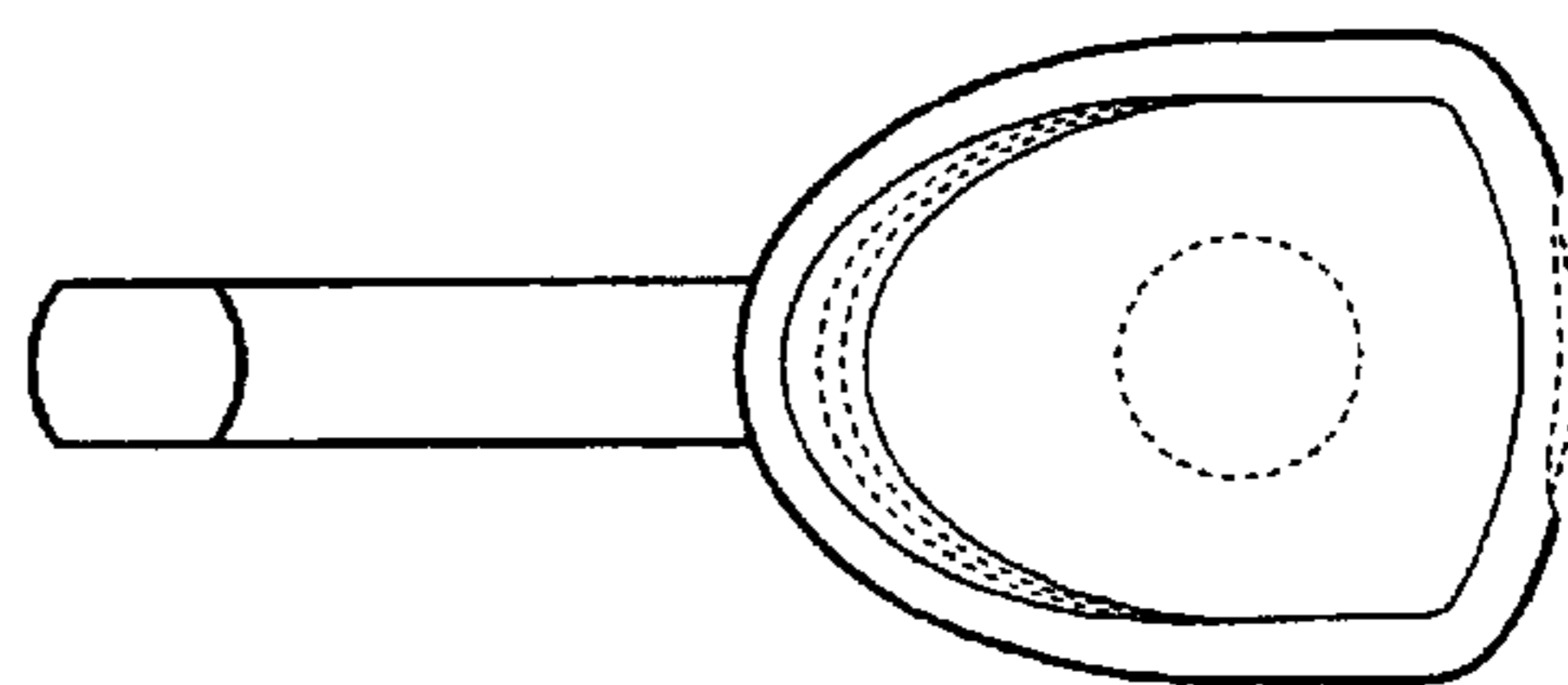
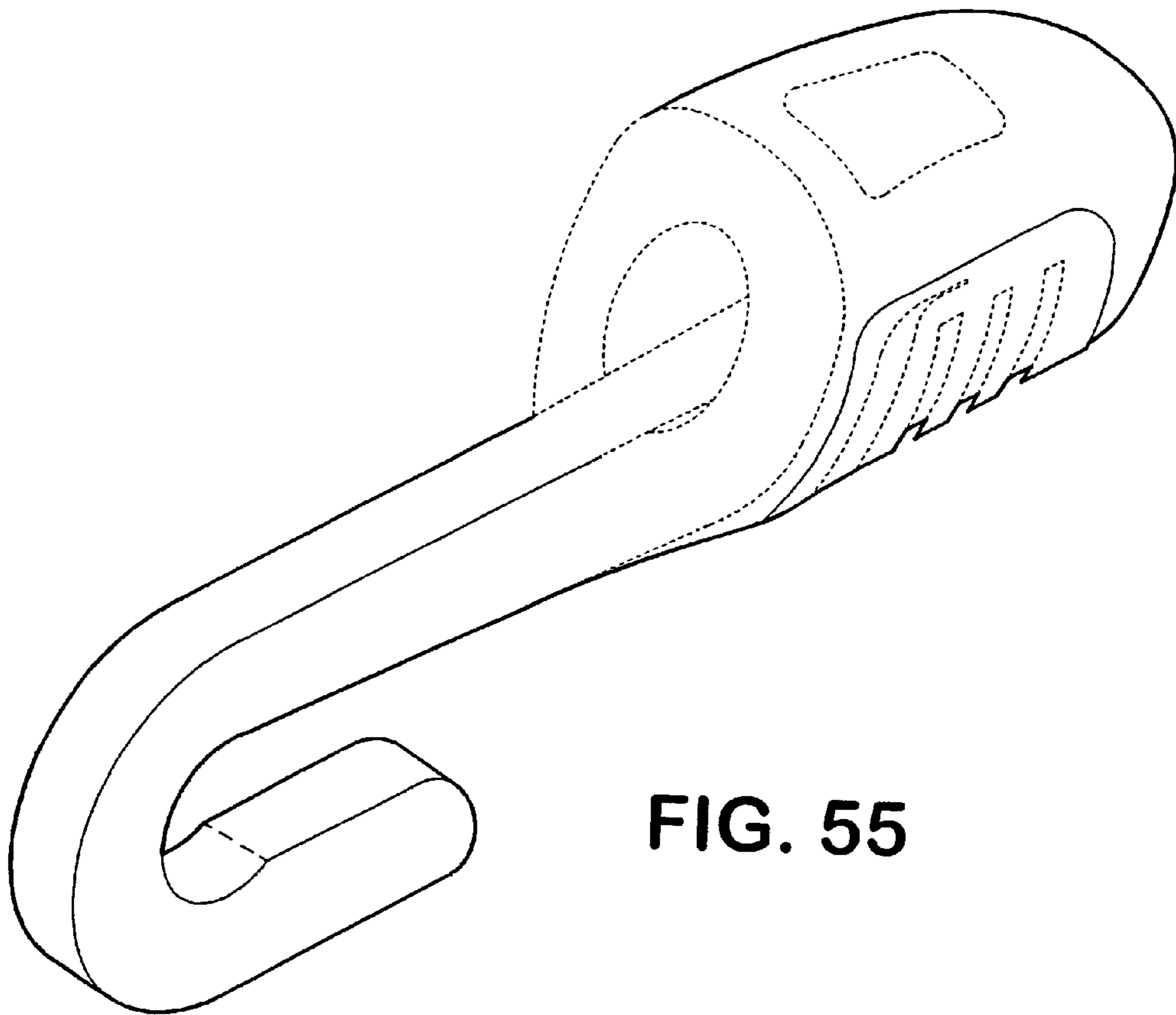


FIG. 54



**FIG. 55**

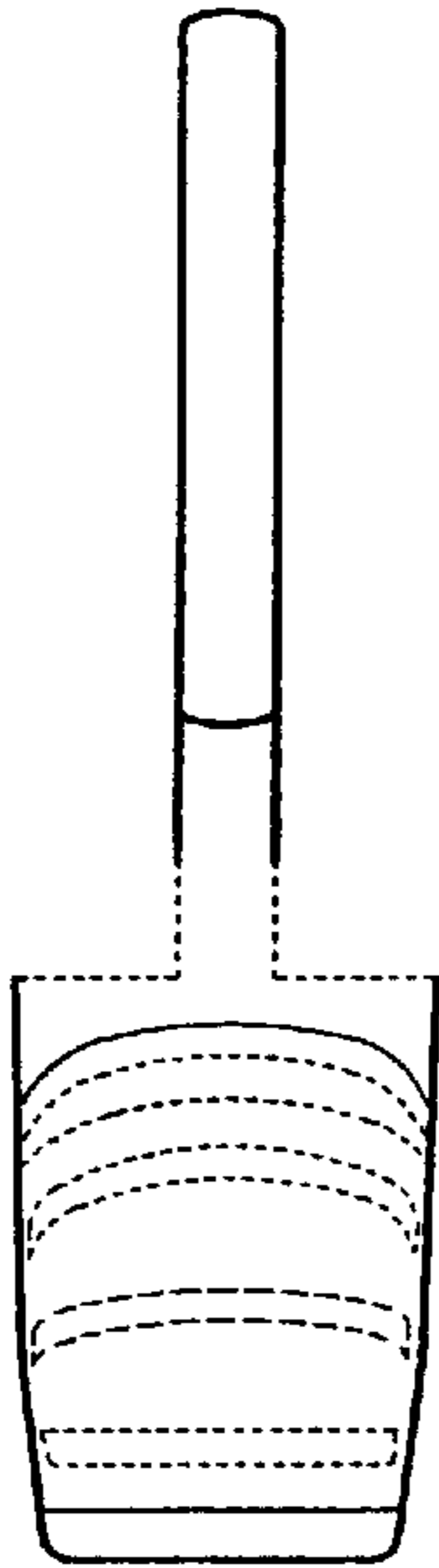


FIG. 56

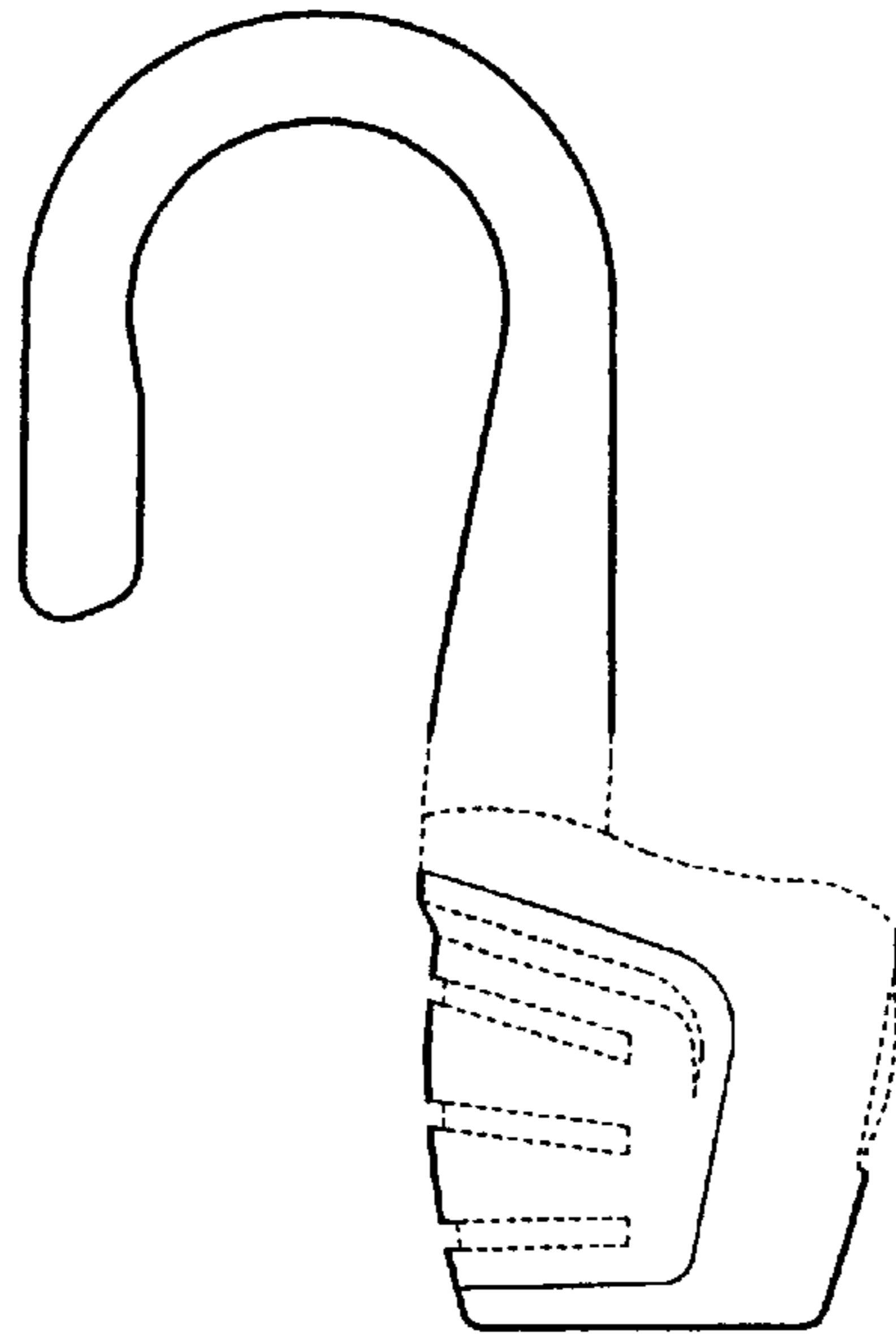


FIG. 57

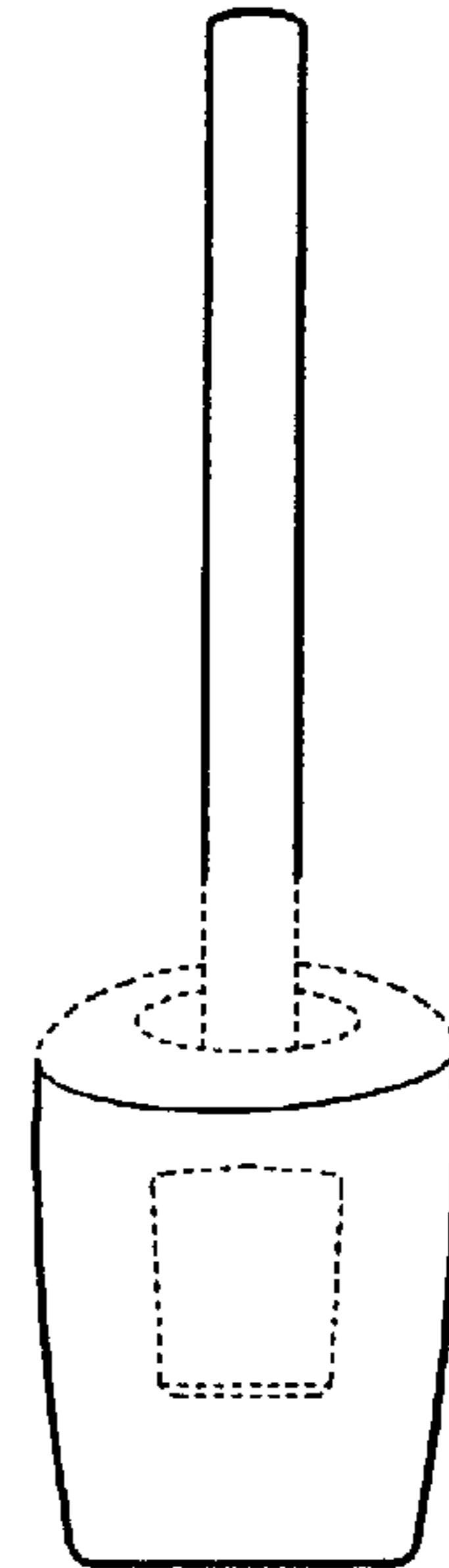


FIG. 58

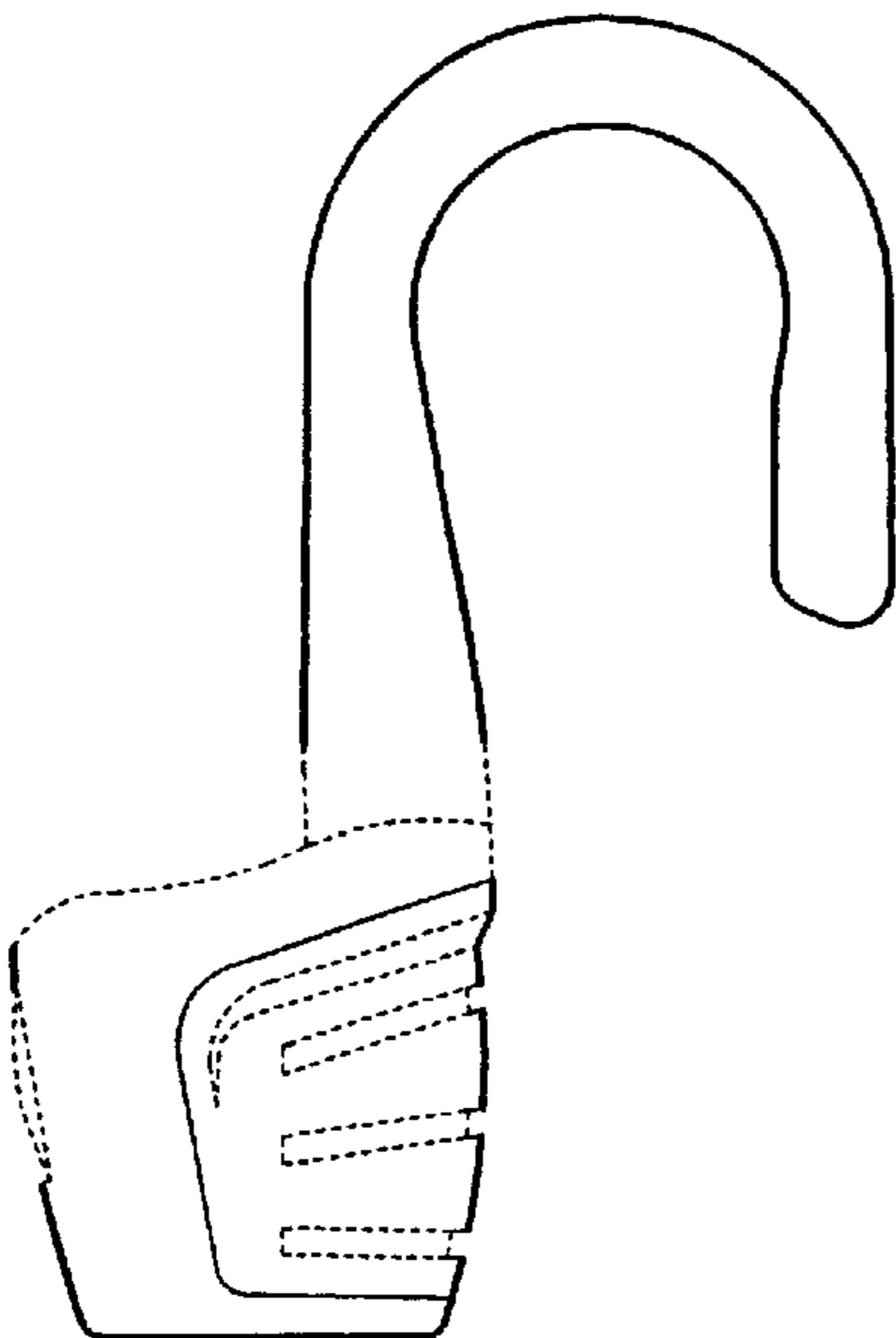


FIG. 59

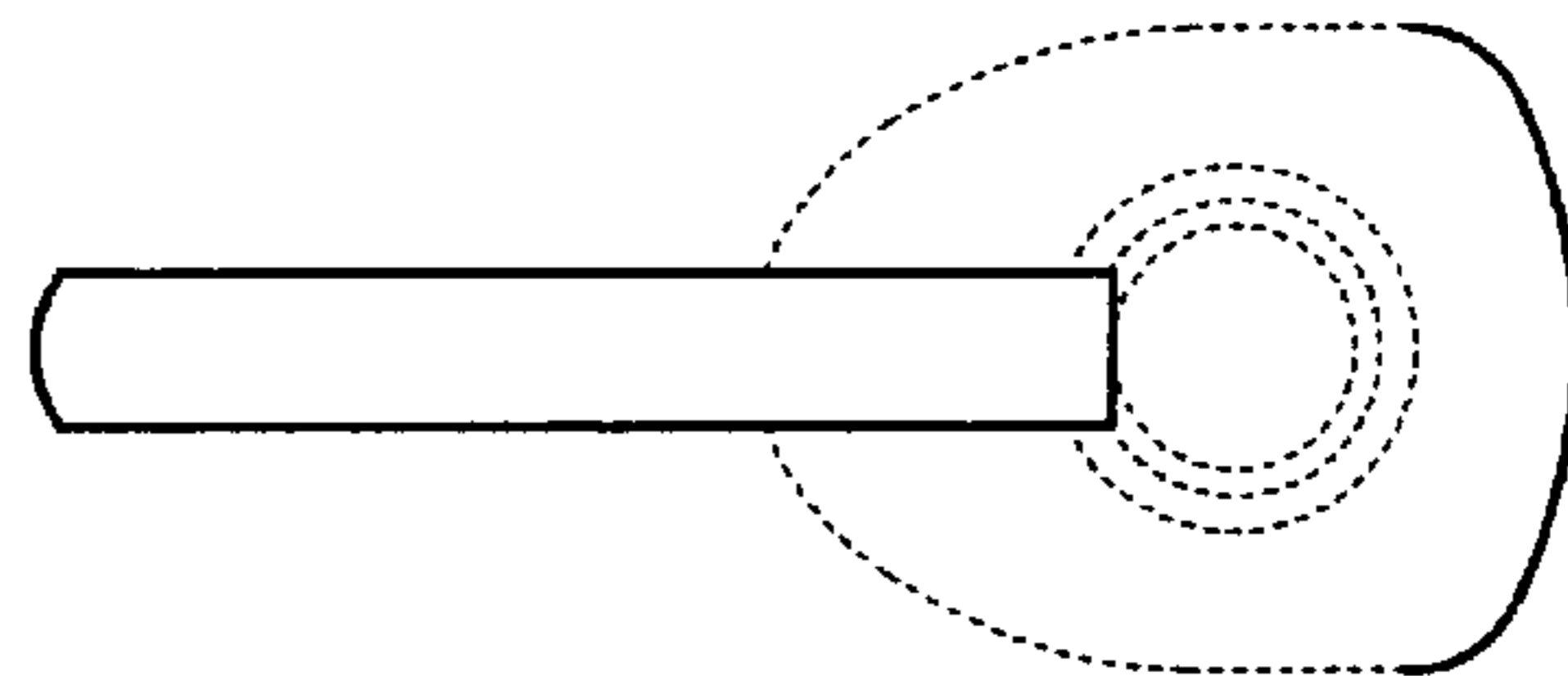


FIG. 60

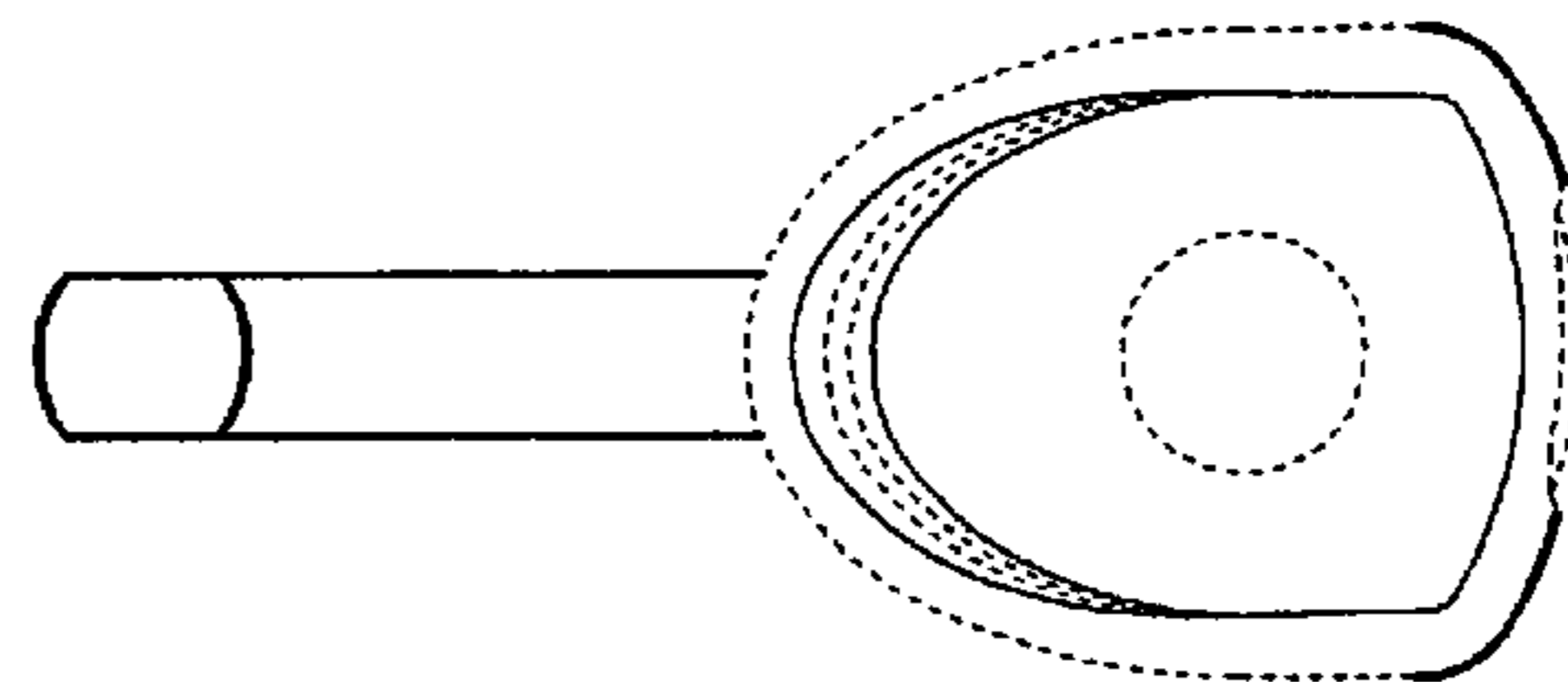


FIG. 61