



US00D525860S

(12) **United States Design Patent** (10) **Patent No.:** **US D525,860 S**
Brogden (45) **Date of Patent:** **** Aug. 1, 2006**

(54) **WOOD AND ELONGATE MEMBER RACK UNIT AND SPOOL MOUNTING BRACKET**
(76) Inventor: **Todd A. Brogden**, 448 Warwick Chapel Rd., Luttrell, TN (US) 37779
(**) Term: **14 Years**
(21) Appl. No.: **29/208,009**
(22) Filed: **Jun. 19, 2004**
(51) **LOC (8) Cl.** **08-05**
(52) **U.S. Cl.** **D8/354**
(58) **Field of Classification Search** D8/349, D8/354, 359; 248/200, 300
See application file for complete search history.

(56) **References Cited**

U.S. PATENT DOCUMENTS

3,380,581	A	*	4/1968	Landgraf	206/493
D307,239	S	*	4/1990	Topping	D8/359
D338,391	S	*	8/1993	Price	D8/359
D373,718	S	*	9/1996	Rondeau	D8/349
D396,629	S	*	8/1998	Huggins	D8/359

* cited by examiner

Primary Examiner—Holly Baynham
(74) *Attorney, Agent, or Firm*—M. Alex Brown; M. Alex Brown, Patent Attorney

(57) **CLAIM**

The ornamental design for a wood and elongate member rack unit and spool mounting bracket, as shown and described.

DESCRIPTION

FIG. 1 is front and right side perspective view of a wood and elongate member rack unit and spool mounting bracket, showing my new design.
FIG. 2 is a front elevational view thereof.
FIG. 3 is a rear elevational view thereof.
FIG. 4 is a right elevational view thereof.
FIG. 5 is a left elevational view thereof.
FIG. 6 is a top plan view thereof.
FIG. 7 is a bottom plan view thereof.
FIG. 8 is a reduced scale perspective view thereof; and,
FIG. 9 is an enlarged further perspective view thereof.
The broken line showing in FIGS. 1, 8 and 9 are for illustrative purposes only and form no part of the claimed design.

1 Claim, 3 Drawing Sheets

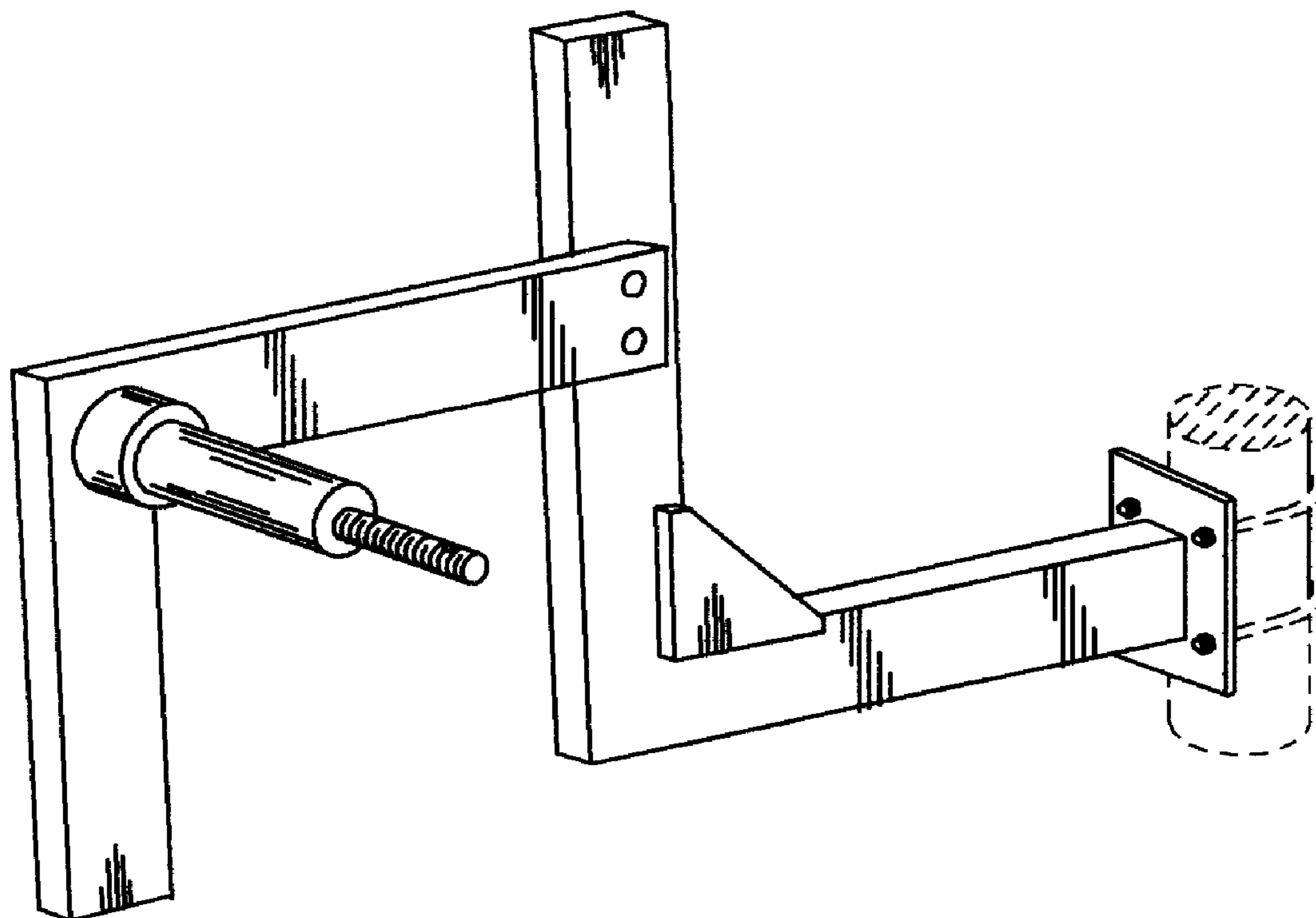


FIG. 1

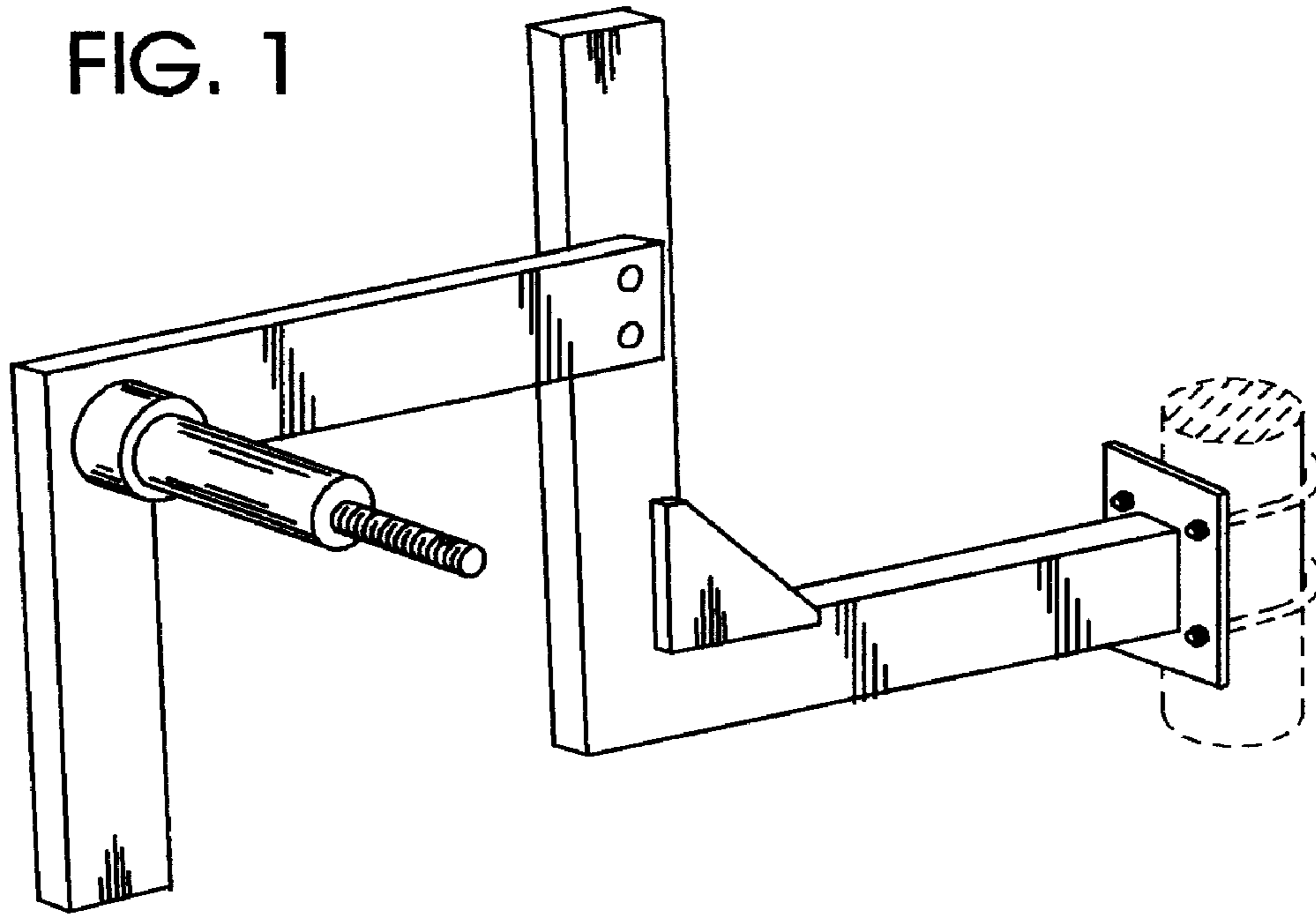


FIG. 2

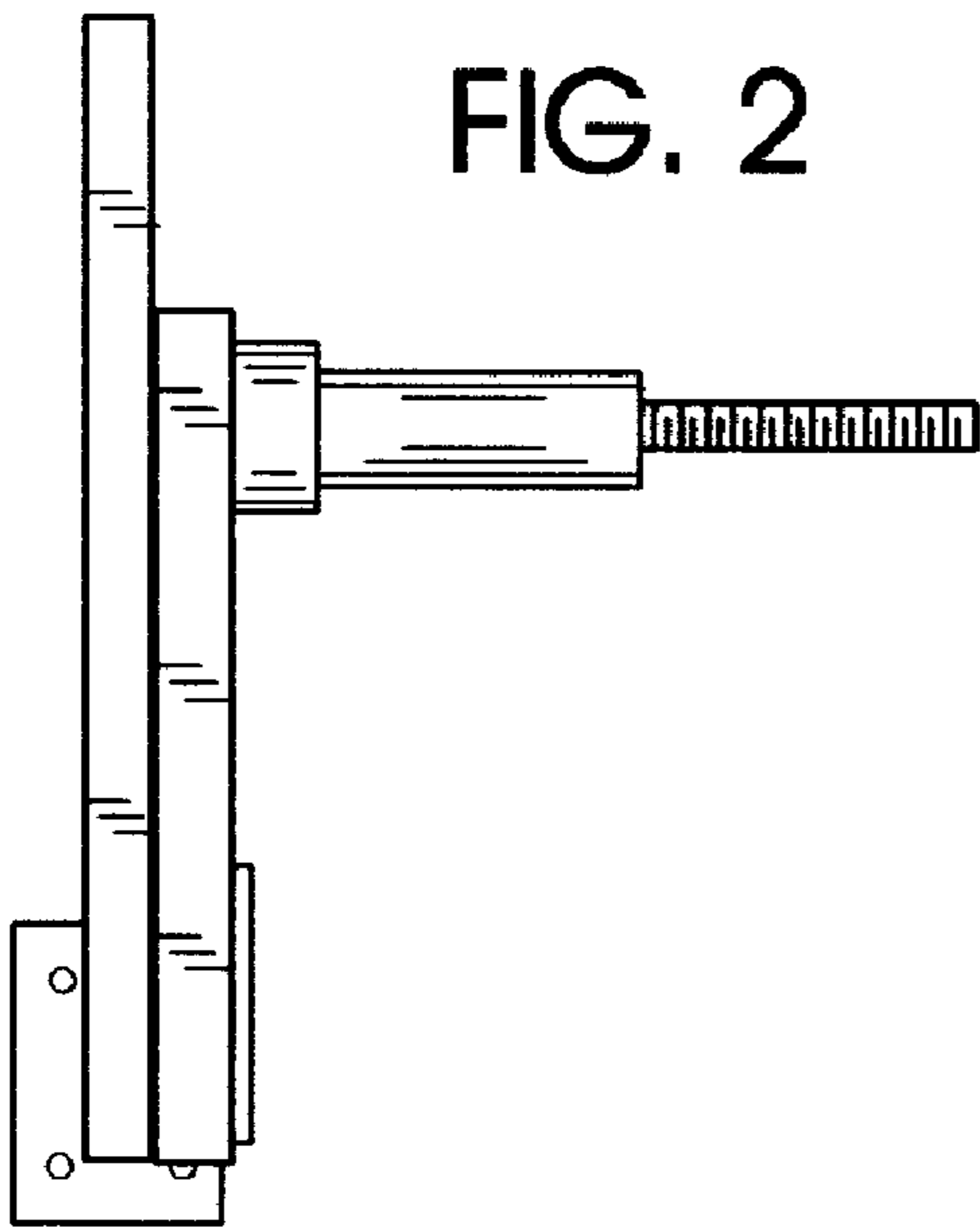
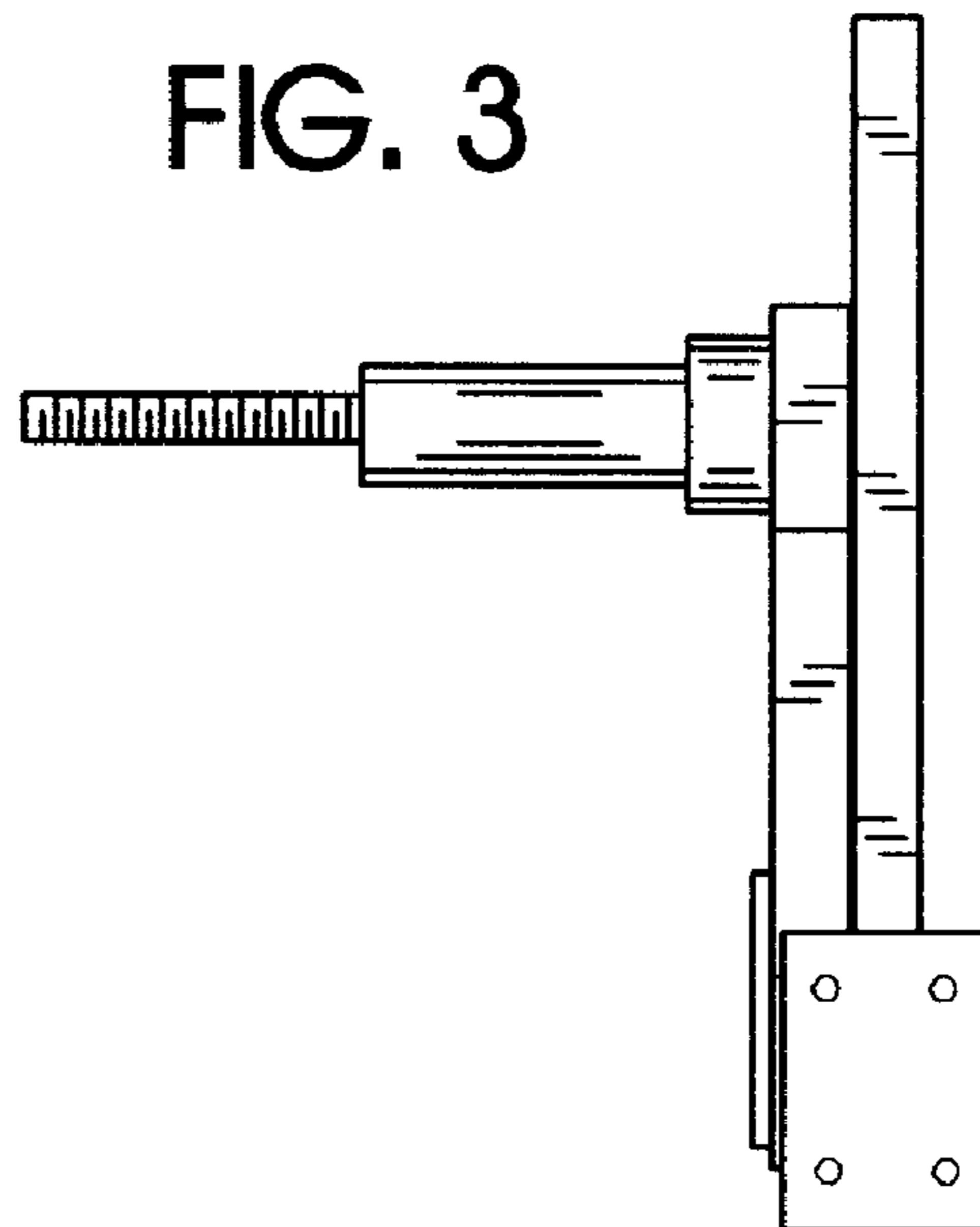


FIG. 3



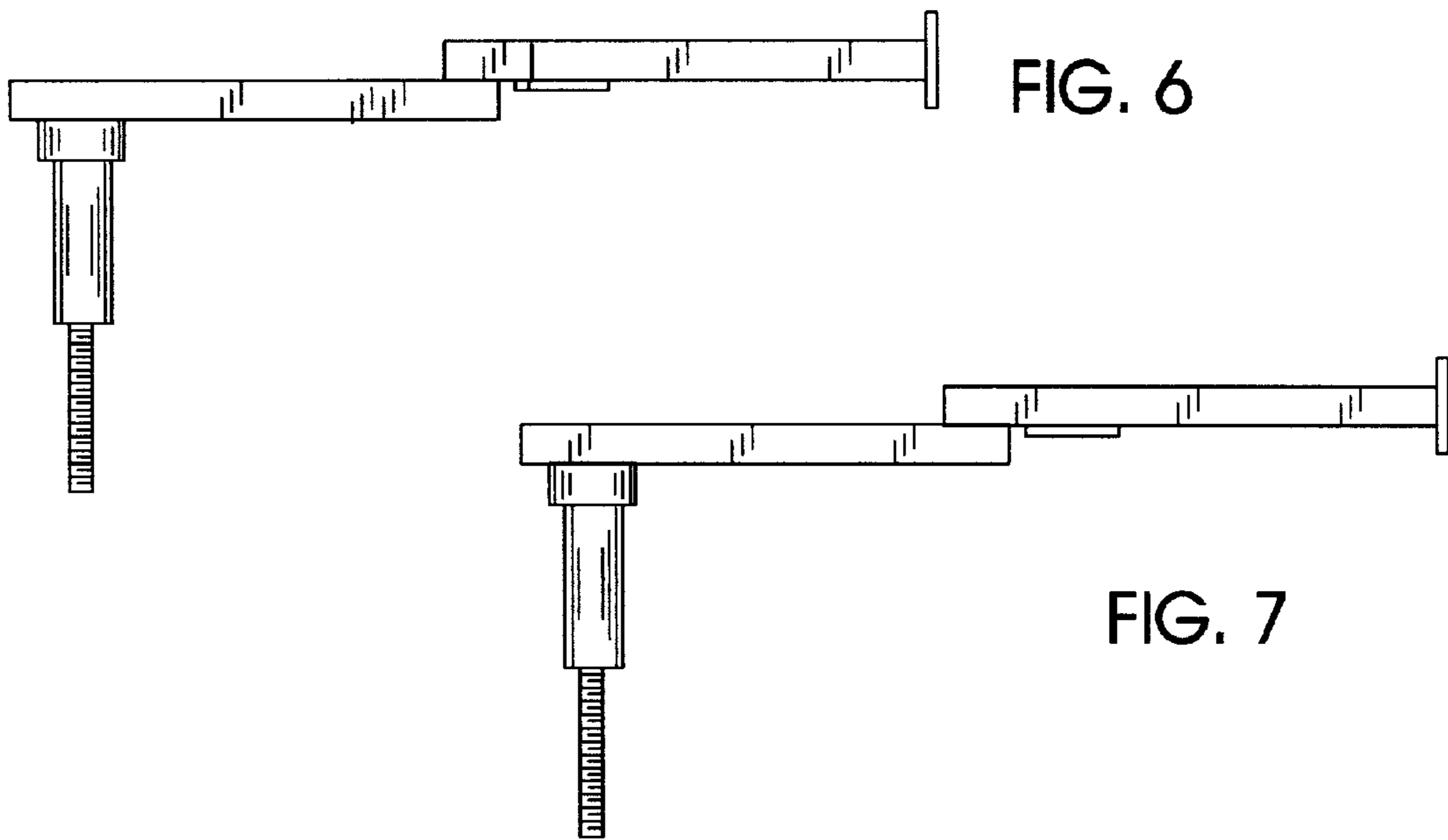
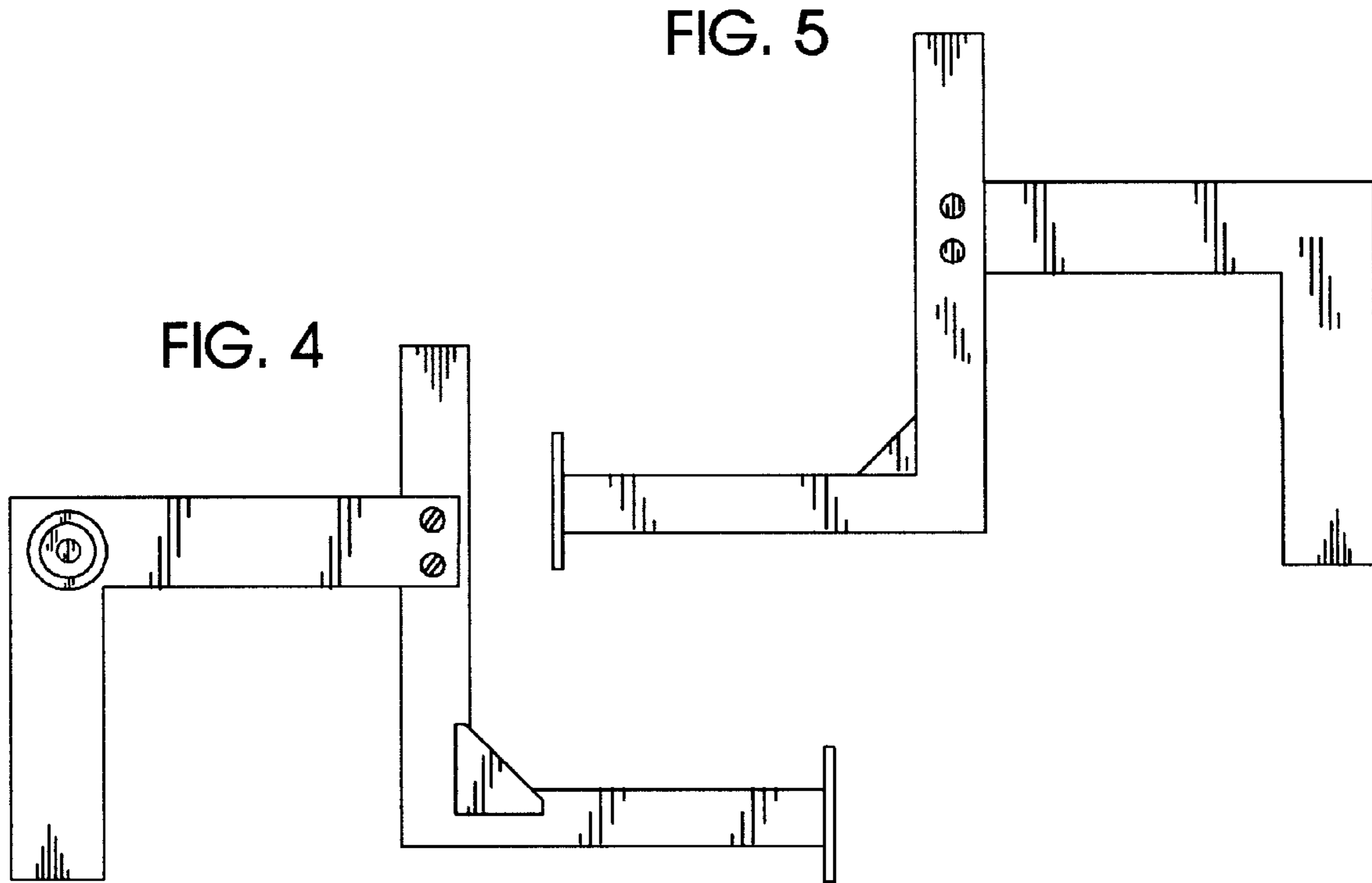


FIG. 8

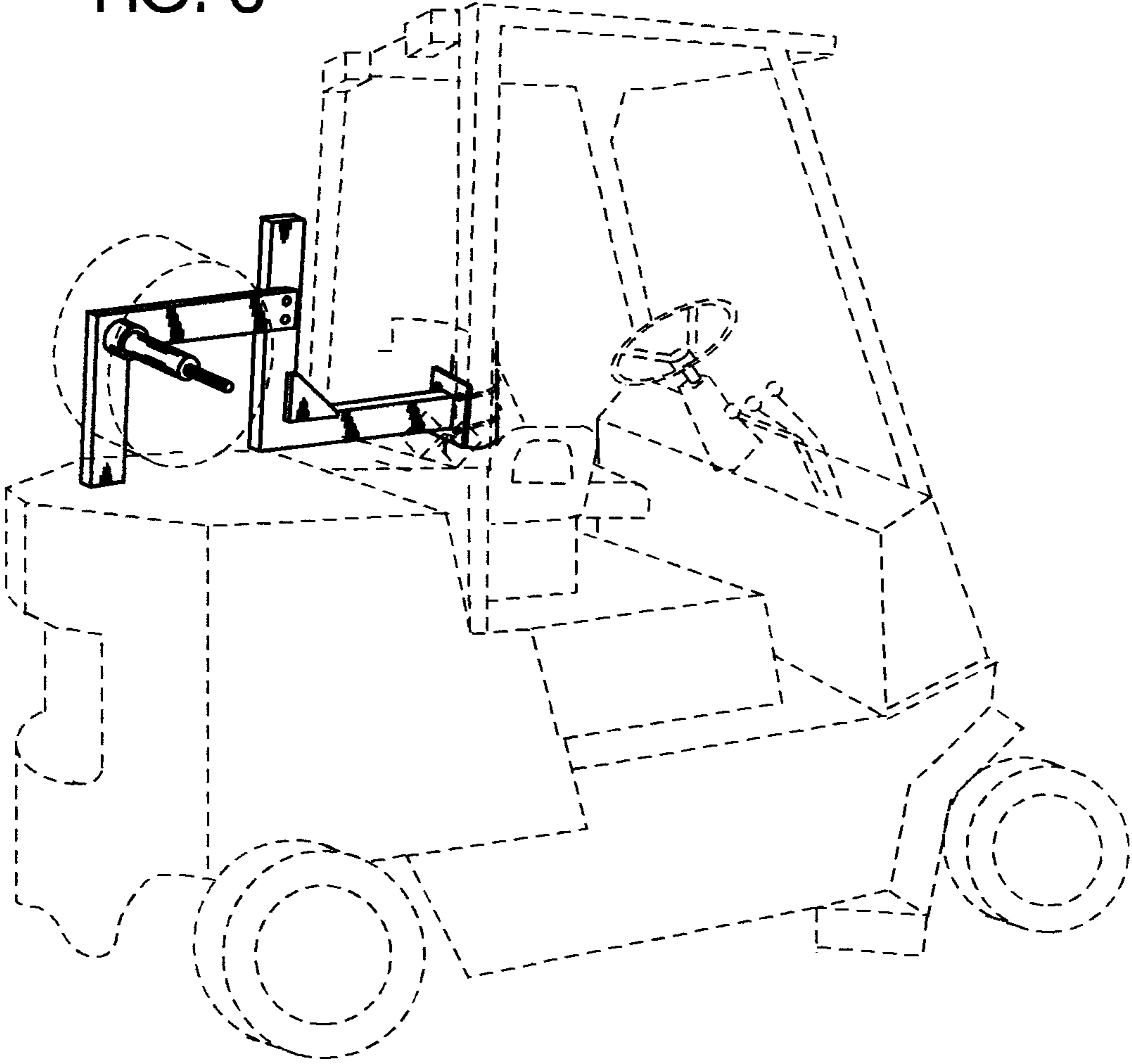


FIG. 9

