

US00D525859S

(12) **United States Design Patent**
Eichert et al.

(10) **Patent No.:** **US D525,859 S**

(45) **Date of Patent:** **** Aug. 1, 2006**

(54) **SECURITY PLATE**

(75) Inventors: **Joseph Carl Eichert**, North Brunswick, NJ (US); **Wilson Cubides**, Kendall Park, NJ (US)

(73) Assignee: **Art Materials Services, Inc.**, Middlesex, NJ (US)

(**) Term: **14 Years**

(21) Appl. No.: **29/200,432**

(22) Filed: **Feb. 27, 2004**

(51) **LOC (8) Cl.** **08-07**

(52) **U.S. Cl.** **D8/344**

(58) **Field of Classification Search** D8/330,
D8/343, 344, 336, 339, 404; 70/14, 51, 54,
70/141, 142, 158, 162, 165, 258, 431, 450,
70/465, 466; 292/289, 292, 253, 340, 32,
292/33, 137, 262, 264, 346

See application file for complete search history.

(56) **References Cited**

U.S. PATENT DOCUMENTS

D5,836 S * 4/1872 White D8/343
D35,184 S * 10/1901 Ryan D8/344
3,275,364 A * 9/1966 Quinn 292/264
D230,009 S * 1/1974 Royster D8/344

D231,724 S * 6/1974 Searer D8/344
3,913,962 A * 10/1975 Briggs 292/292
4,105,231 A * 8/1978 Huyssen 292/264
4,648,641 A * 3/1987 Foster 292/264
D293,879 S * 1/1988 Sundberg et al. D8/343
5,285,666 A * 2/1994 Bartnicki 70/93
D511,958 S * 11/2005 Mastrogiovanni D8/340

* cited by examiner

Primary Examiner—Prabhakar Deshmukh

(74) *Attorney, Agent, or Firm*—Andrus, Scales, Starke & Sawall, LLP

(57) **CLAIM**

The ornamental design for security plate, as shown and described.

DESCRIPTION

FIG. 1 is a front elevational view of a security plate showing our new design;

FIG. 2 is a side elevational view thereof;

FIG. 3 is a rear elevational view thereof;

FIG. 4 is a perspective view thereof;

FIG. 5 is a front elevational view of a second embodiment of a security plate;

FIG. 6 is a side elevational view of FIG. 5;

FIG. 7 is a rear elevational view of FIG. 5; and,

FIG. 8 is a perspective view of FIG. 5.

1 Claim, 2 Drawing Sheets

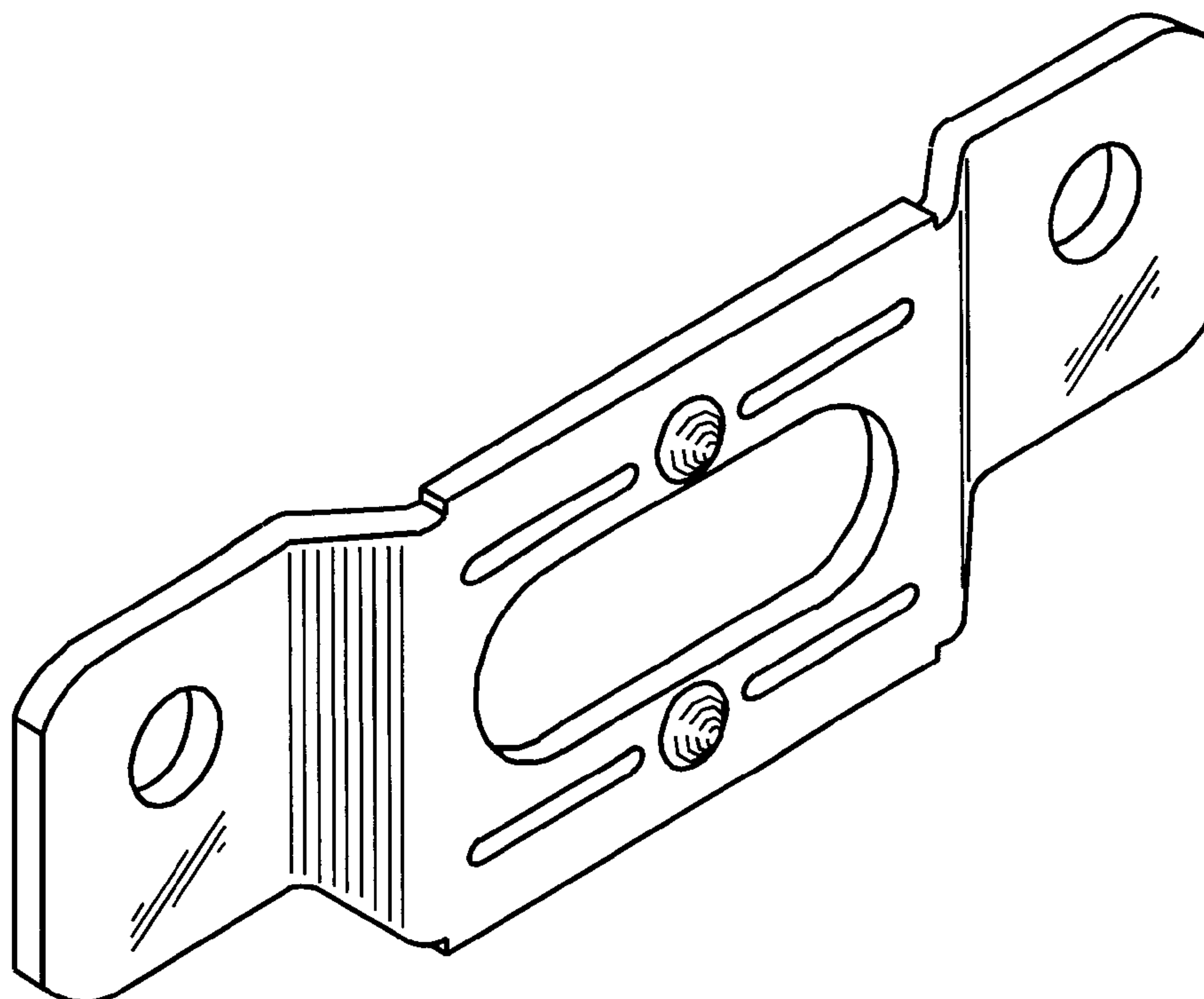


FIG. 1

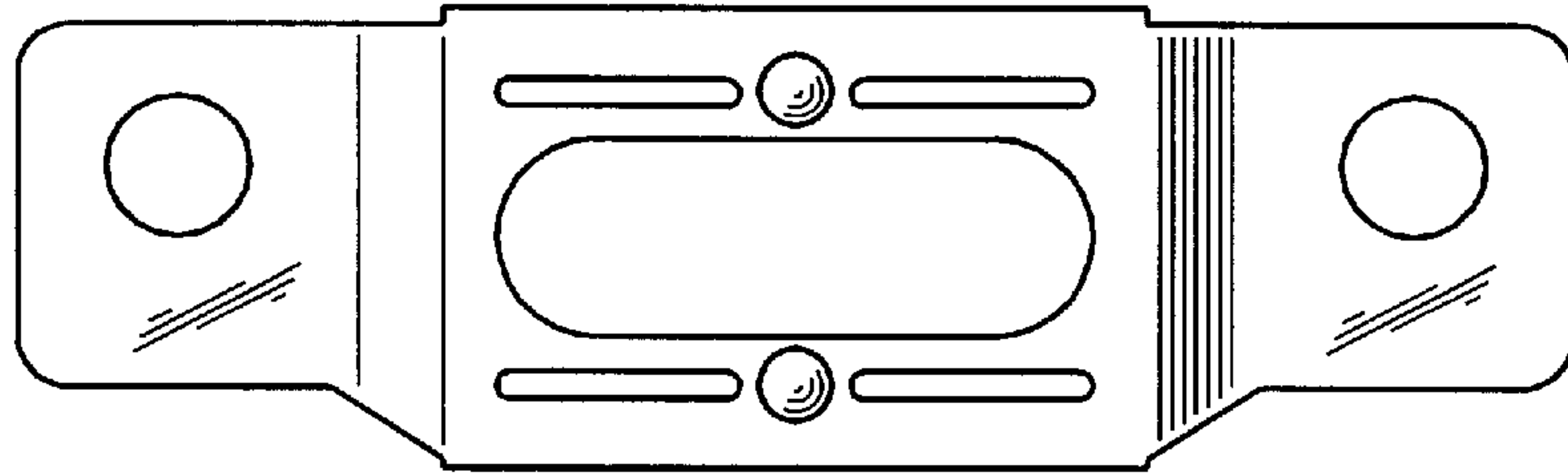


FIG. 2



FIG. 3

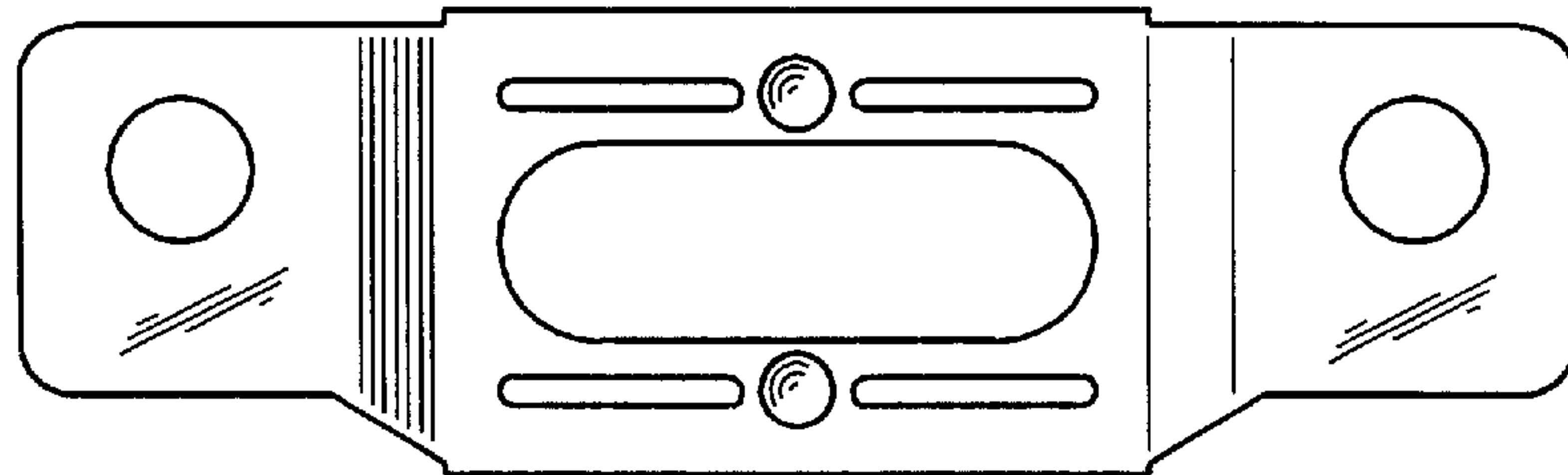


FIG. 4

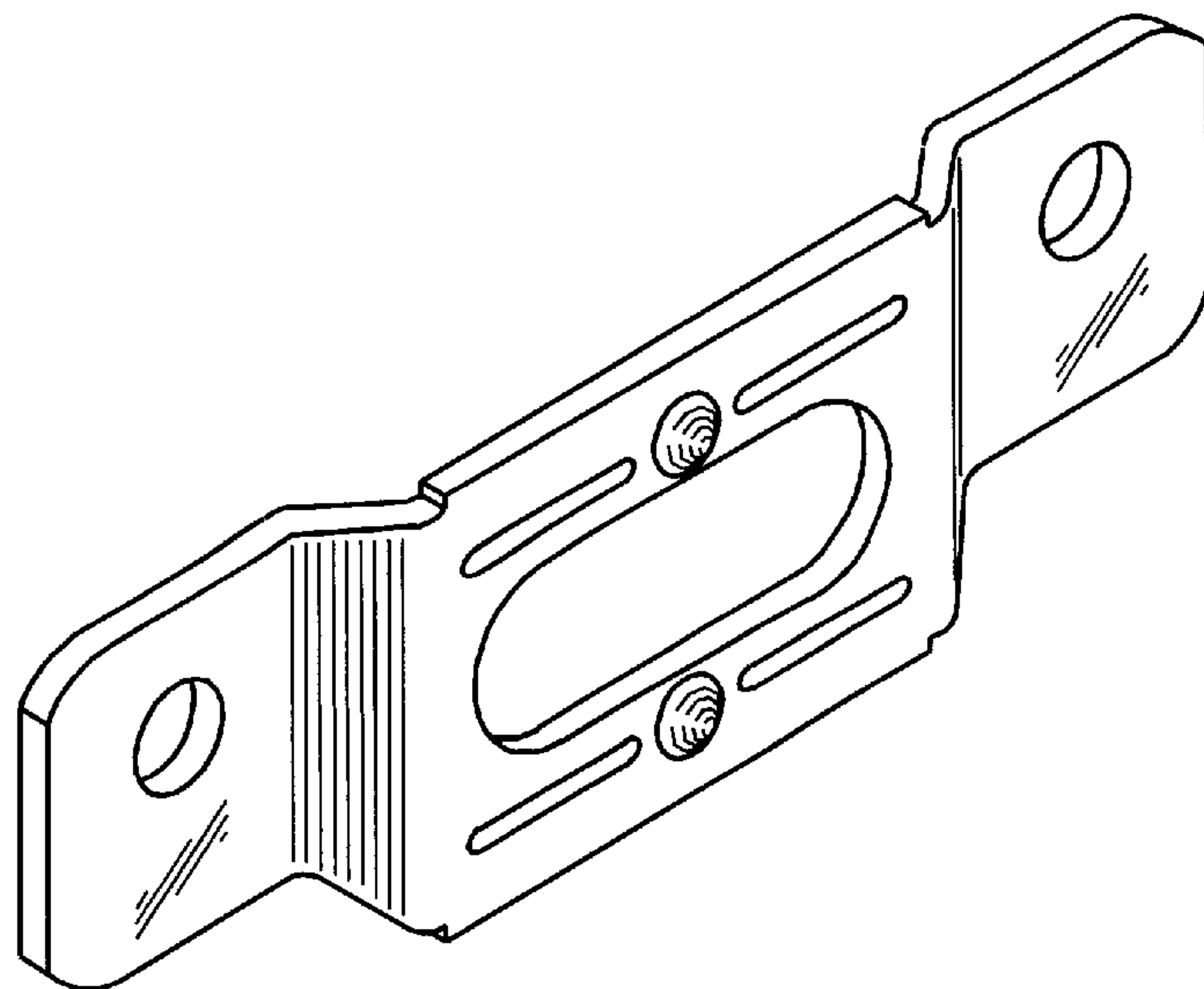


FIG. 5

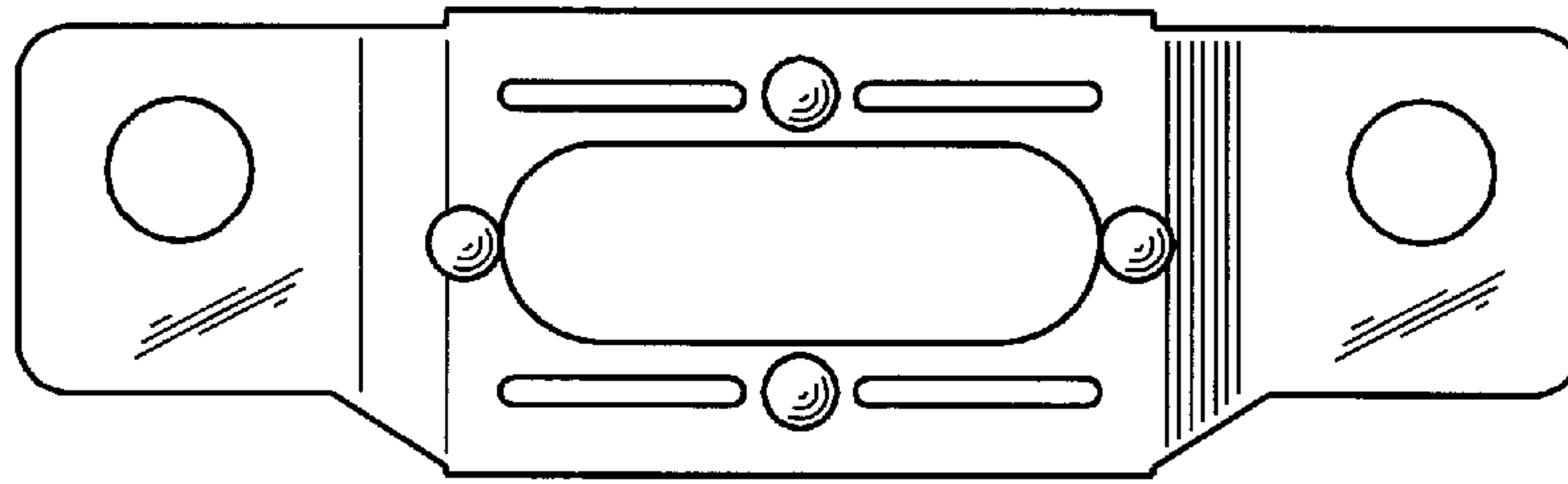


FIG. 6



FIG. 7

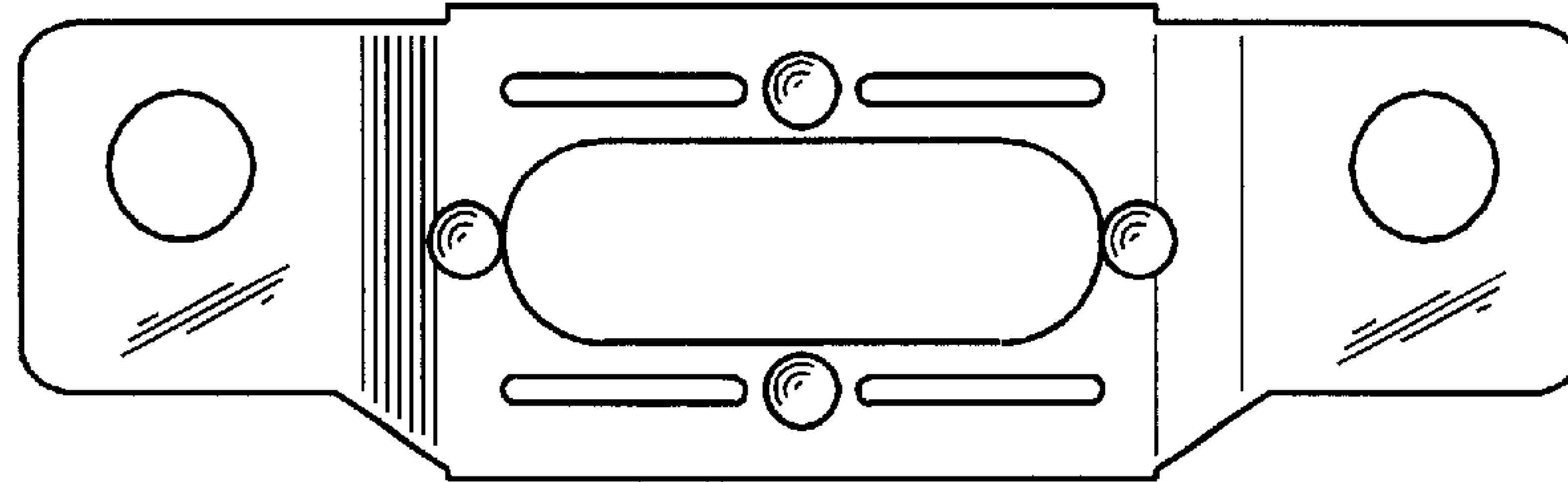


FIG. 8

