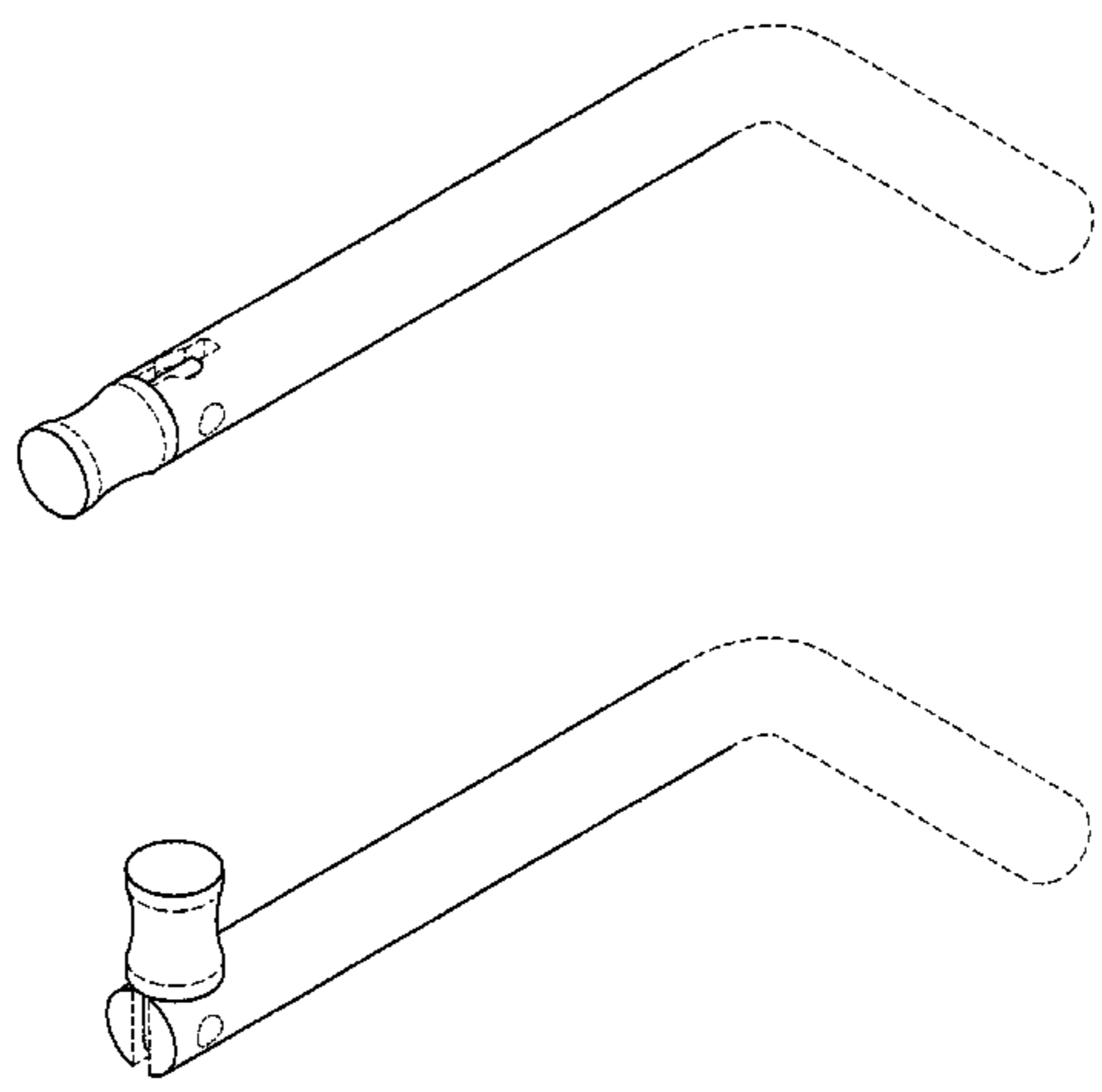




US00D525857S

(12) **United States Design Patent** (10) **Patent No.:** **US D525,857 S**
Recknagel et al. (45) **Date of Patent:** **** Aug. 1, 2006**

- (54) **RECEIVER PIN** 3,453,846 A 7/1969 Owen et al.
3,559,429 A 2/1971 Hermann
(75) Inventors: **Jim Recknagel**, Delafield, WI (US); 3,652,114 A 3/1972 Cady et al.
Ken Burmesch, Port Washington, WI 3,673,910 A 7/1972 Collister
(US); **Chris Irgens**, Elm Grove, WI 3,721,112 A 3/1973 Wellekens
(US); **Rolf Hohmann**, Menomonee 3,783,657 A 1/1974 Foote
Falls, WI (US); **Mark Van Handel**, 3,843,160 A 10/1974 Frushour et al.
Milwaukee, WI (US); **Gary Burmesch**, 3,861,267 A 1/1975 Collister
Port Washington, WI (US); **Victor Yip**, 3,902,339 A 9/1975 Carley et al.
Chi Fu Fa Yuen (HK); **Kerry Jacques**, 3,908,415 A 9/1975 Foote
Wind Lake, WI (US); **John Zapushek**, 3,911,761 A 10/1975 Cornellier
Racine, WI (US) 3,963,264 A 6/1976 Down
3,999,414 A 12/1976 Leitner
(73) Assignee: **Master Lock Company**, Oak Creek, 4,141,232 A 2/1979 Kelly
WI (US) 4,198,026 A 4/1980 Capolupo
D255,772 S * 7/1980 Johnson et al. D8/331
(**) Term: **14 Years** 4,226,100 A 10/1980 Hampton et al.
4,236,395 A 12/1980 Avaiusini
4,277,961 A 7/1981 Williams
(21) Appl. No.: **29/195,423** 4,298,212 A 11/1981 Jamison
4,438,642 A 3/1984 De Jong
(22) Filed: **Dec. 11, 2003** 4,440,005 A 4/1984 Bulle
4,576,021 A 3/1986 Holden
Related U.S. Application Data D283,199 S * 4/1986 Ostergren D8/338
4,619,122 A 10/1986 Simpson
(63) Continuation-in-part of application No. 29/193,055, filed on 4,637,234 A 1/1987 Mielonen
Nov. 3, 2003. 4,711,106 A 12/1987 Johnson
4,730,468 A 3/1988 Becker
(51) **LOC (8) Cl.** **08-07** 4,732,019 A * 3/1988 Tolar 70/203
(52) **U.S. Cl.** **D8/339; D8/341; D8/331** 4,844,498 A * 7/1989 Kerins et al. 280/504
(58) **Field of Classification Search** D8/330, 4,888,967 A 12/1989 Kuo
D8/331, 339, 341, 343, 347, 338; 70/14, 4,964,285 A 10/1990 Lakoski et al.
70/26, 39, 33, 34, 51, 52, 58, 91, 181, 208, 5,004,133 A 4/1991 Wyers
70/232, 431, 378, 372, DIG. 23, DIG. 25; 5,022,243 A 6/1991 Embry et al.
292/86, 42, 119, 156; 403/321, 324, 322.3, 5,027,630 A 7/1991 Stillwagon et al.
403/322.4 5,050,413 A 9/1991 Stillwagon et al.
5,063,763 A 11/1991 Johnson
See application file for complete search history. 5,152,160 A 10/1992 Lentini
5,197,314 A 3/1993 Stillwagon et al.
5,216,903 A 6/1993 Chen
(56) **References Cited** 5,269,161 A 12/1993 Stillwagon
U.S. PATENT DOCUMENTS 5,272,894 A 12/1993 Stillwagon et al.
325,221 A * 8/1885 Wright 411/342 5,284,038 A 2/1994 Johnson
1,566,473 A 12/1925 Gibson 5,437,515 A 8/1995 Kuramoto
2,541,638 A 2/1951 Clevett 5,447,045 A 9/1995 Cheng
2,677,261 A 5/1954 Jacobi 5,467,619 A 11/1995 Stillwagon et al.
3,176,007 A 3/1965 Tuschhoff 5,507,611 A 4/1996 Collister
3,197,239 A 7/1965 Jezek, Jr. 5,540,065 A 7/1996 Wyers
5,664,445 A 9/1997 Chang



5,676,258	A	10/1997	Leyden et al.	
5,682,775	A *	11/1997	Baber	70/34
5,794,465	A	8/1998	Hill	
6,055,832	A	5/2000	Wyers	
D428,795	S	8/2000	Wyers	
6,145,866	A	11/2000	Peter	
D439,827	S	4/2001	Wyers	
D444,050	S	6/2001	Wyers	
D447,043	S	8/2001	Wyers	
6,409,283	B1	6/2002	Hsieh	
6,425,272	B1 *	7/2002	Chen	70/34
D461,392	S	8/2002	Zapushek	
6,575,000	B1 *	6/2003	Li	70/34
6,672,115	B1 *	1/2004	Wyers	70/14
D501,131	S *	1/2005	Oskamp et al.	D8/331
D511,292	S *	11/2005	Hohmann et al.	D8/331

* cited by examiner

Primary Examiner—Prabhakar Deshmukh
 (74) *Attorney, Agent, or Firm*—Calfee, Halter & Griswold
 LLP

(57) **CLAIM**

The ornamental design for a receiver pin, as shown and described.

DESCRIPTION

FIG. 1 is a perspective view of a receiver pin showing our new design;
 FIG. 2 is a top view of the design shown in FIG. 1;
 FIG. 3 is a side view of the design shown in FIG. 1;
 FIG. 4 is a bottom view of the design shown in FIG. 1;
 FIG. 5 is a back view of the design shown in FIG. 1;
 FIG. 6 is a side view of the design shown in FIG. 1;
 FIG. 7 is a front view of the design shown in FIG. 1;
 FIG. 8 is a perspective view of the design of the present invention, wherein the clip is in the locked position;

FIG. 9 is a perspective view of a second embodiment of the design of the present invention;
 FIG. 10 is a top view of the design shown in FIG. 9;
 FIG. 11 is a side view of the design shown in FIG. 9;
 FIG. 12 is a bottom view of the design shown in FIG. 9;
 FIG. 13 is a back view of the design shown in FIG. 9;
 FIG. 14 is a side view of the design shown in FIG. 9;
 FIG. 15 is a front view of the design shown in FIG. 9;
 FIG. 16 is a perspective view of the design of the present invention, wherein the clip is in the locked position;
 FIG. 17 is a perspective view of a third embodiment of the design of the present invention;
 FIG. 18 is a top view of the design shown in FIG. 17;
 FIG. 19 is a side view of the design shown in FIG. 17;
 FIG. 20 is a bottom view of the design shown in FIG. 17;
 FIG. 21 is a back view of the design shown in FIG. 17;
 FIG. 22 is a side view of the design shown in FIG. 17;
 FIG. 23 is a front view of the design shown in FIG. 17;
 FIG. 24 is a perspective view of the design of the present invention, wherein the clip is in the locked position;
 FIG. 25 is a perspective view of a fourth embodiment of the design of the present invention;
 FIG. 26 is a top view of the design shown in FIG. 25;
 FIG. 27 is a side view of the design shown in FIG. 25;
 FIG. 28 is a bottom view of the design shown in FIG. 25;
 FIG. 29 is a back view of the design shown in FIG. 25;
 FIG. 30 is a side view of the design shown in FIG. 25;
 FIG. 31 is a front view of the design shown in FIG. 25; and,
 FIG. 32 is a perspective view of the design of the present invention, wherein the clip is in the locked position.
 The broken lines, which define the bounds of the claimed design, form no part thereof. The broken line environmental showing is for illustrative purposes only and forms no part of the claimed design.

1 Claim, 12 Drawing Sheets

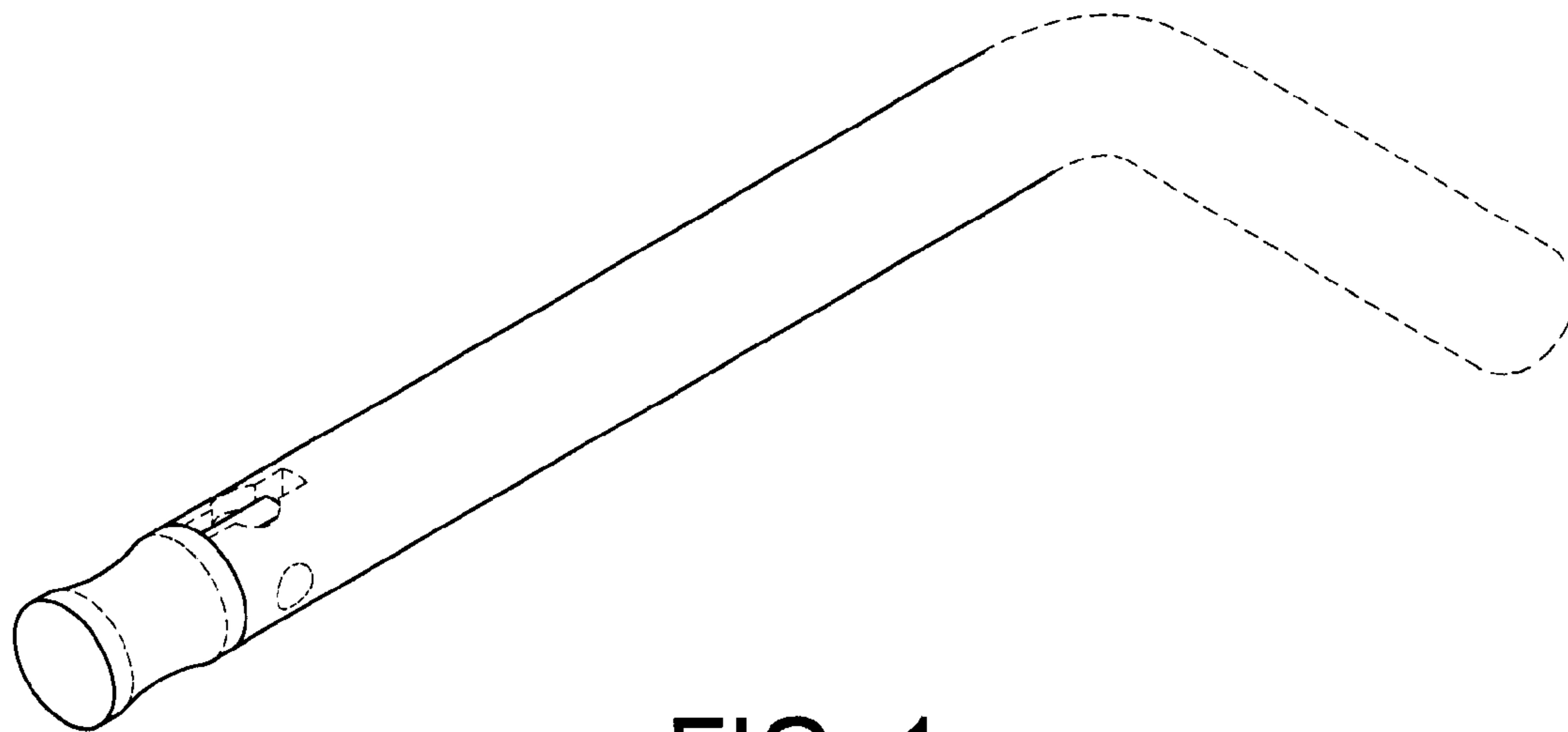


FIG. 1

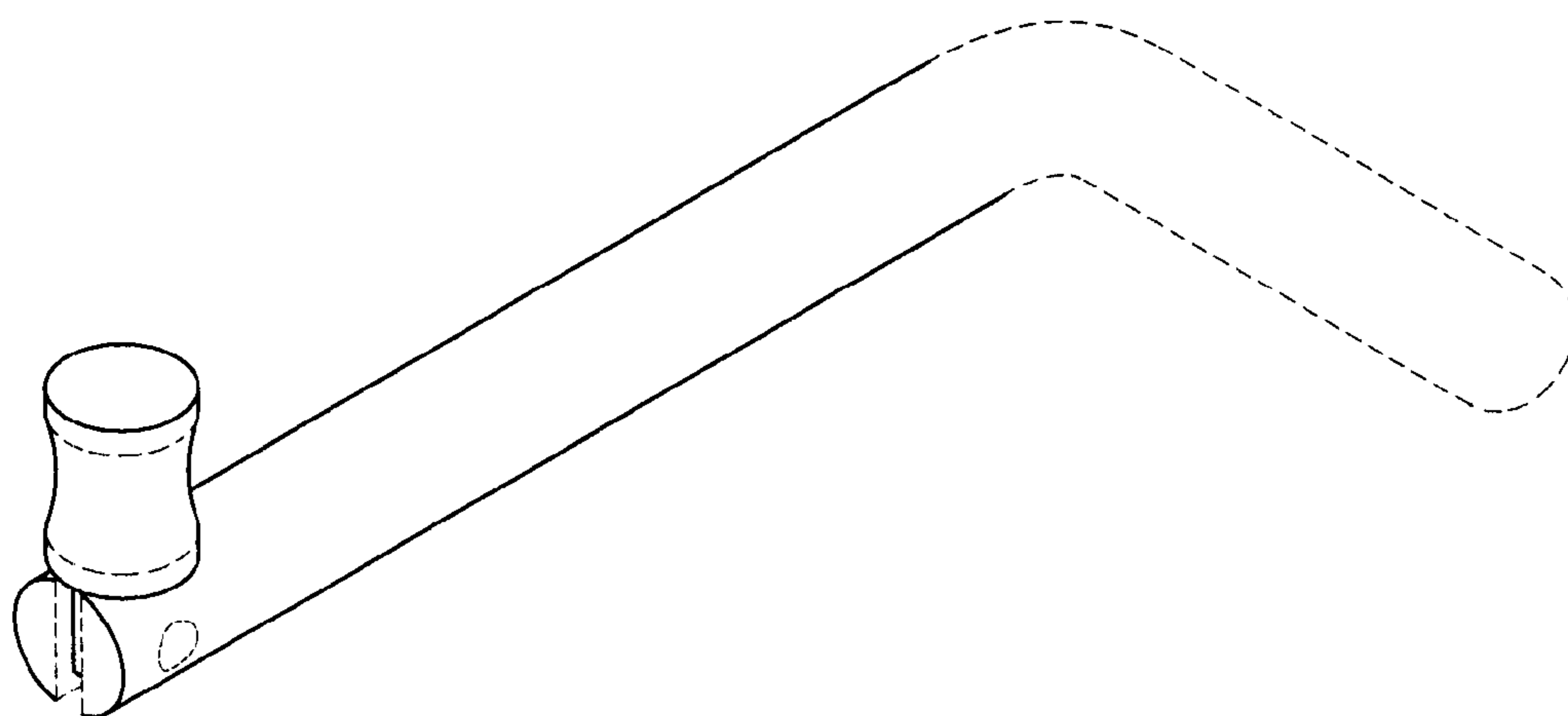


FIG. 8

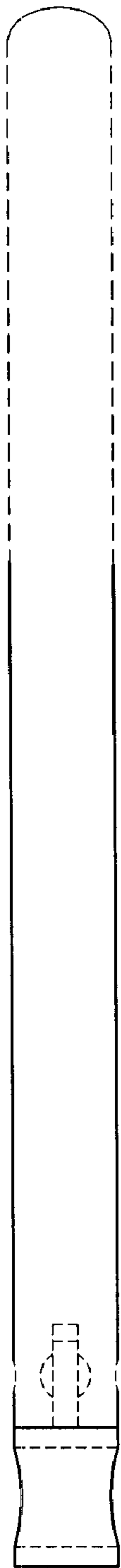


FIG. 2

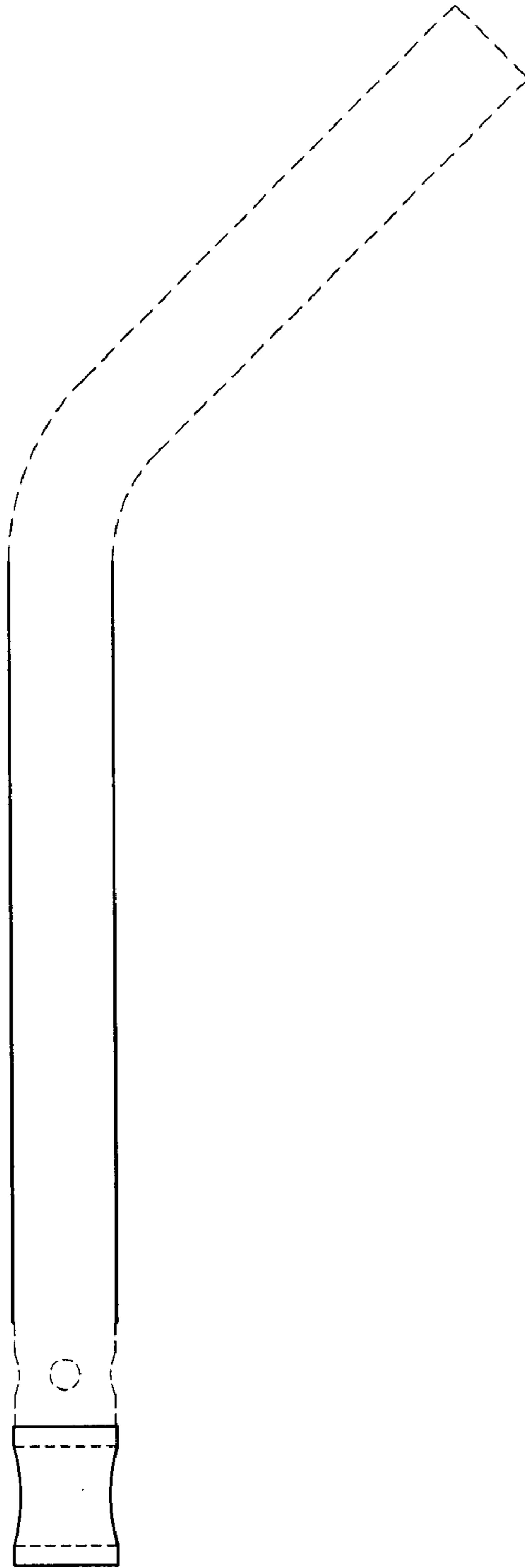


FIG. 3

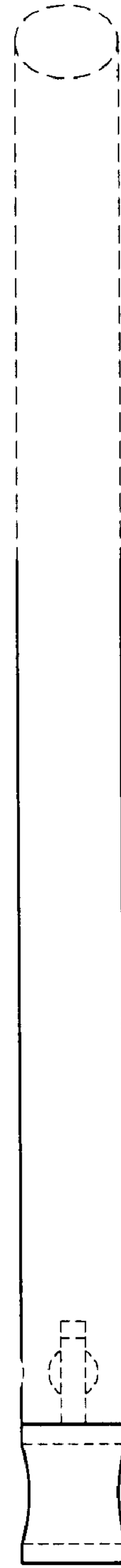


FIG. 4

FIG. 5



FIG. 6



FIG. 7



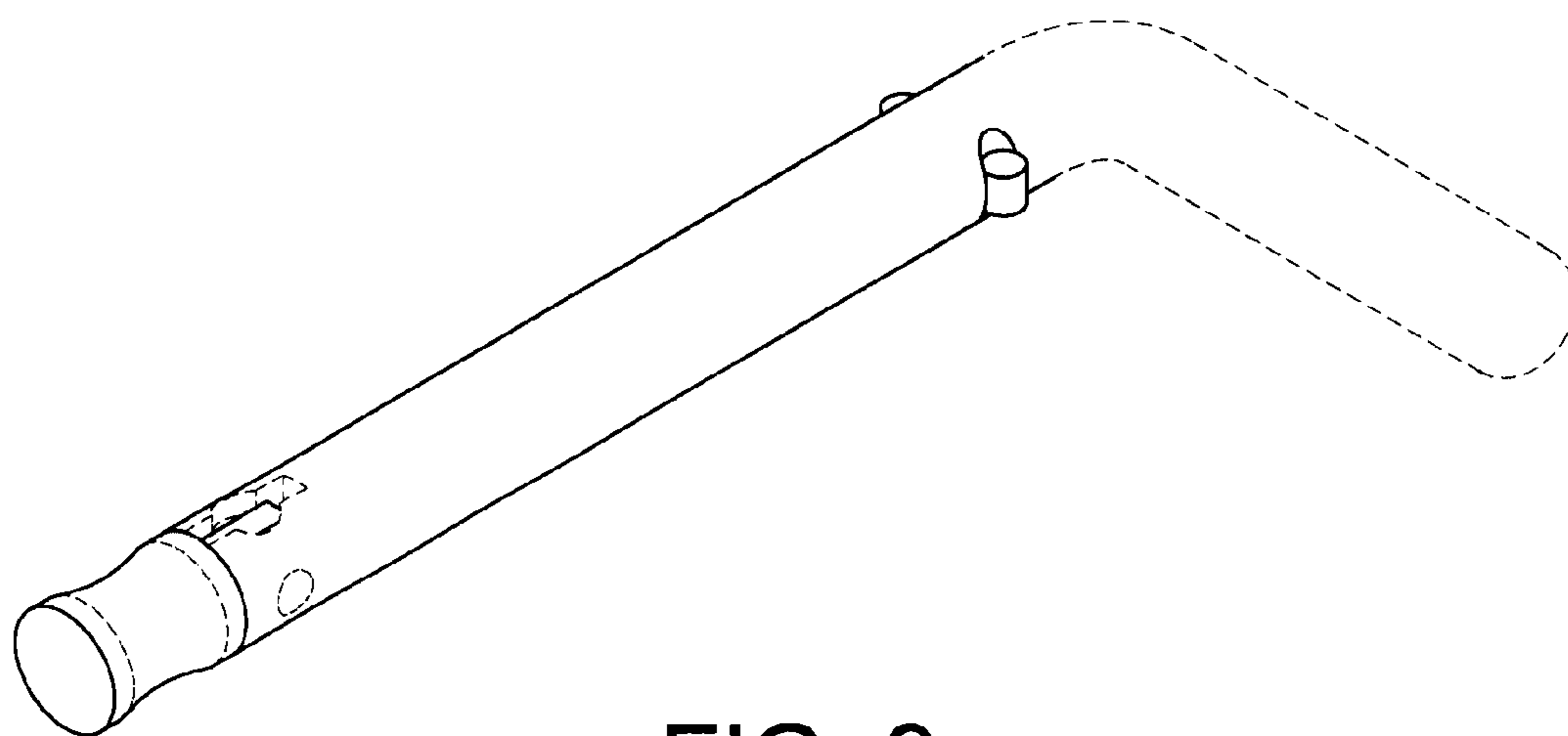


FIG. 9

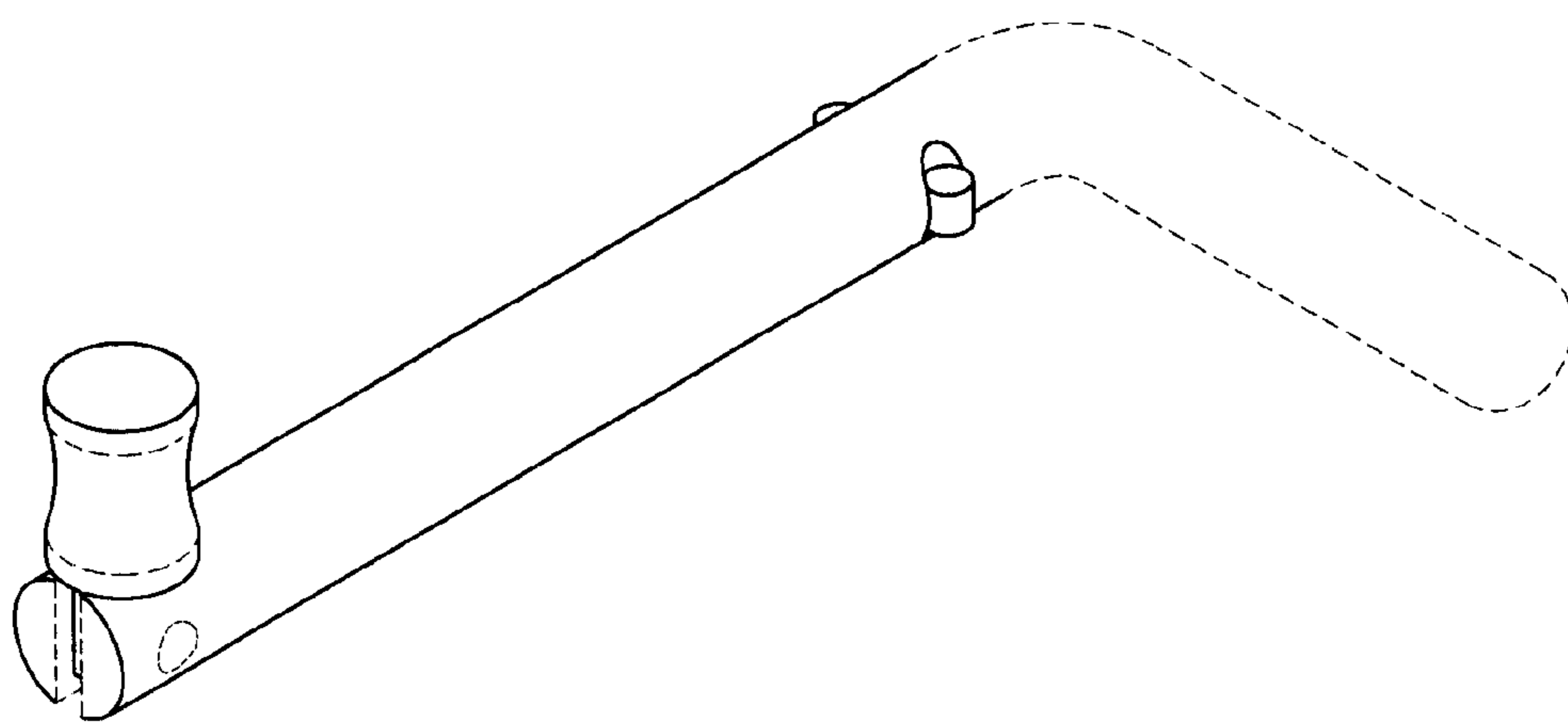


FIG. 16

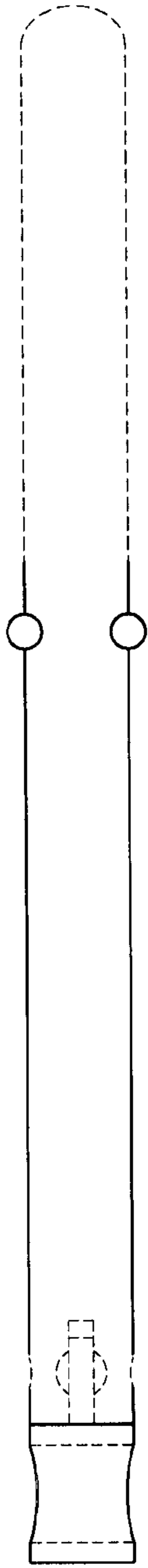


FIG. 10

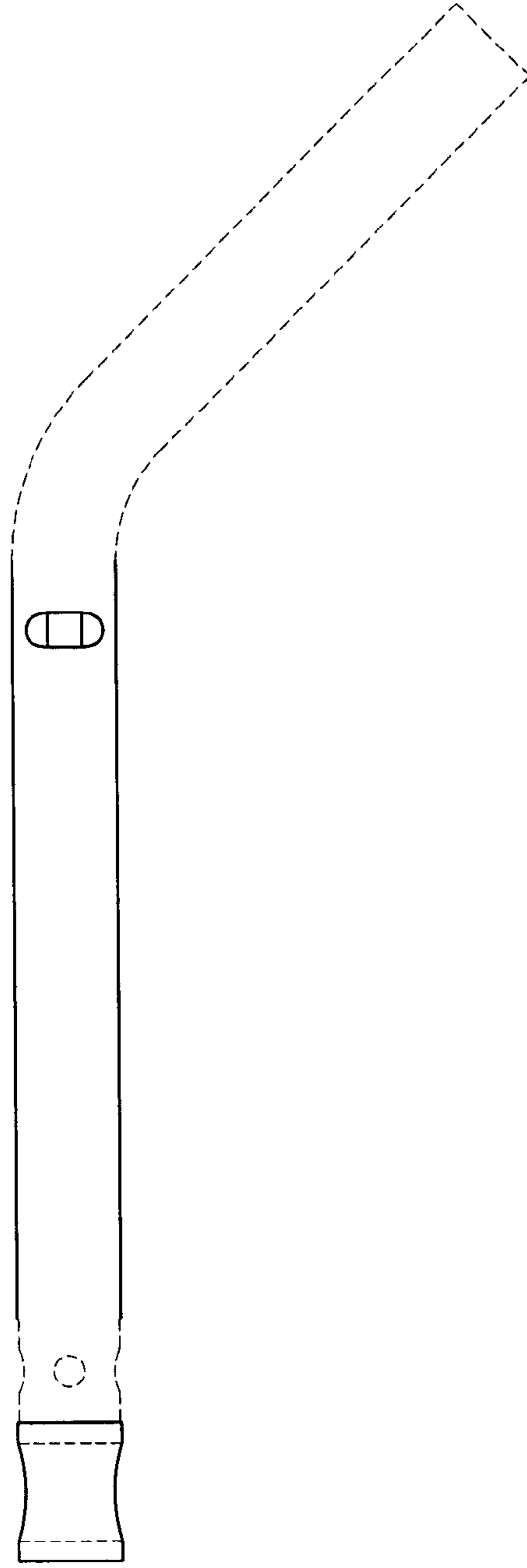


FIG. 11

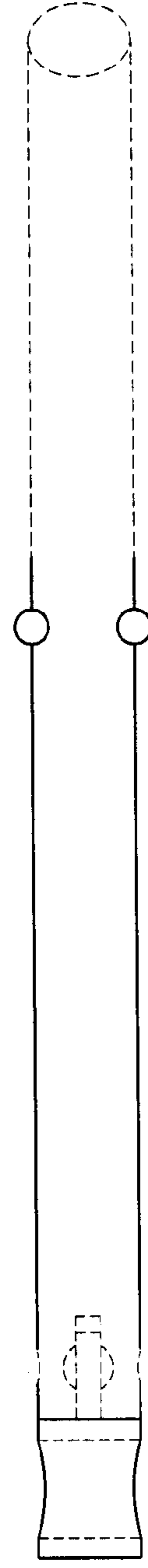


FIG. 12

FIG. 13

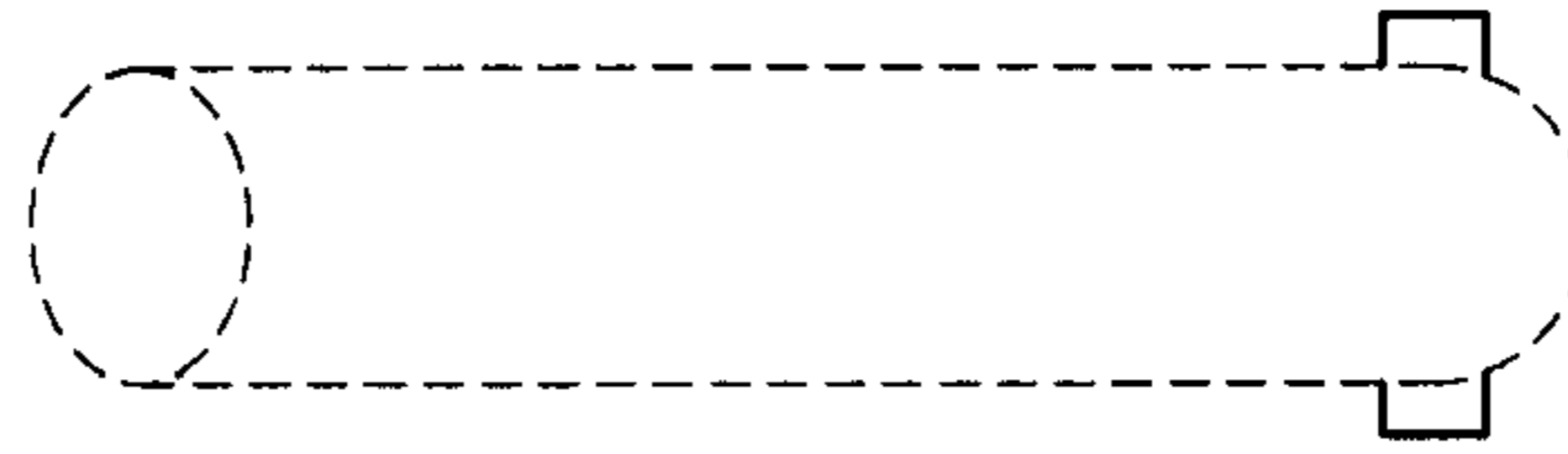


FIG. 14

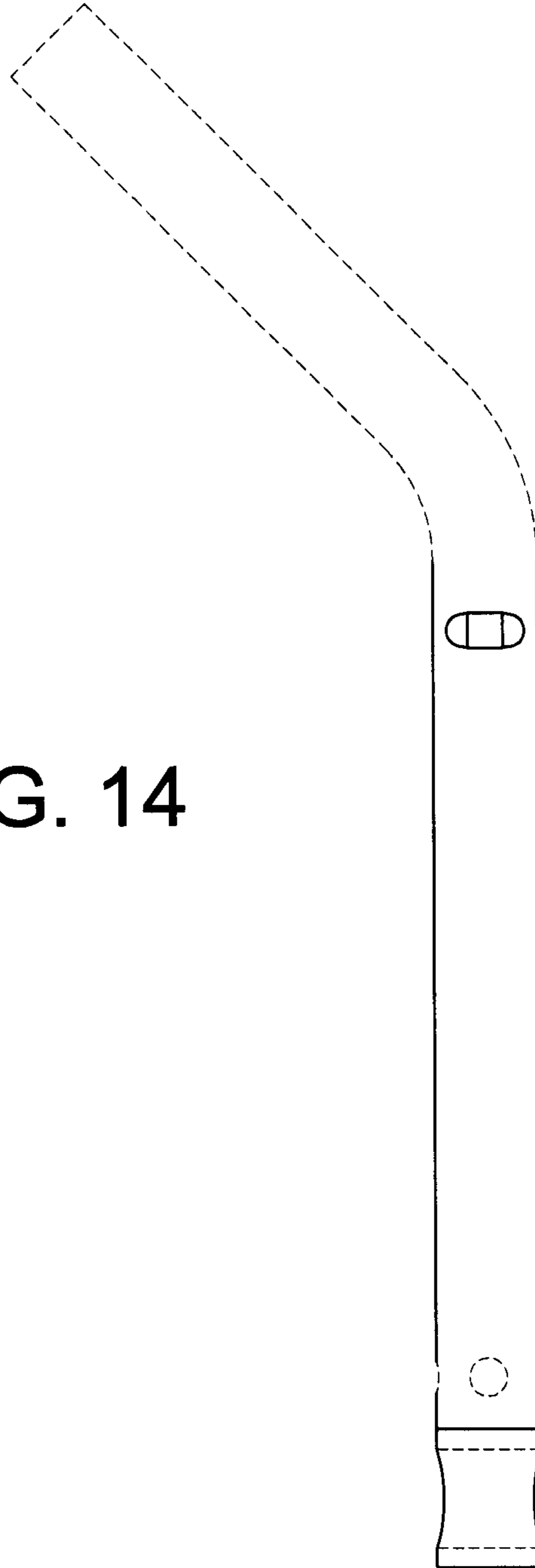
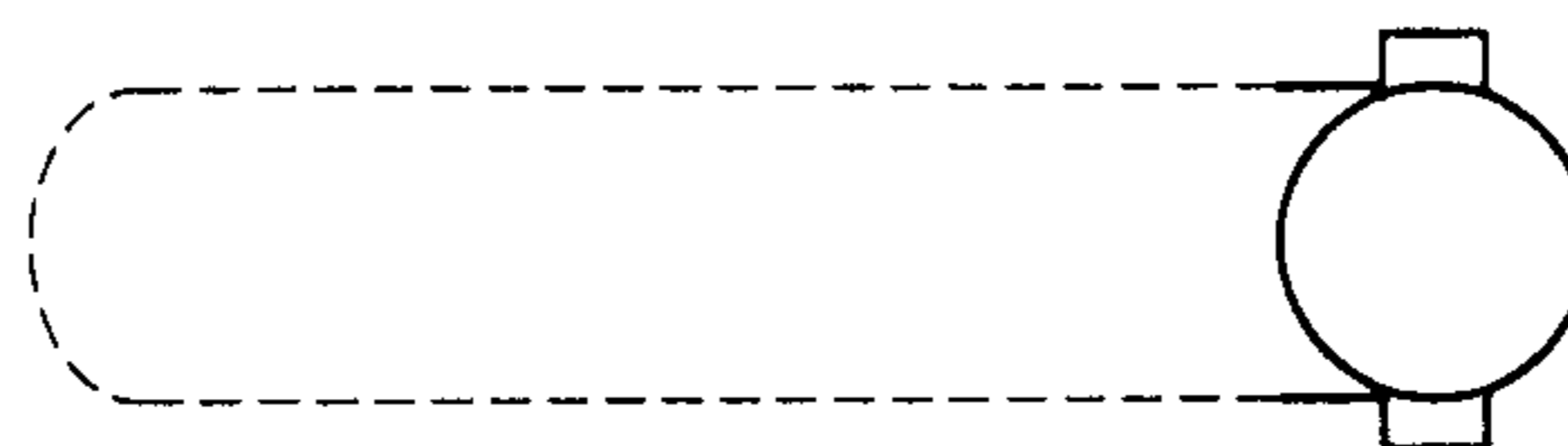


FIG. 15



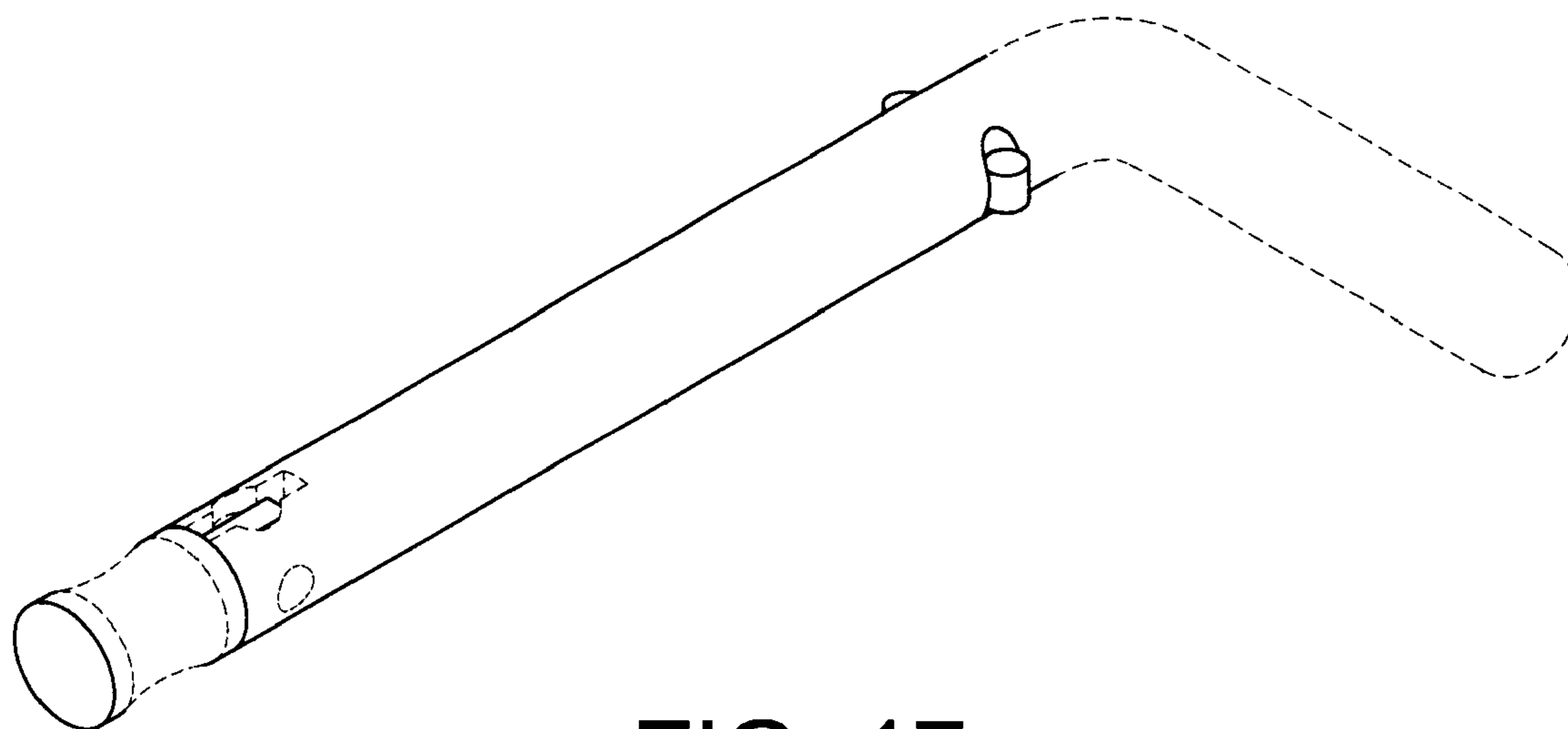


FIG. 17

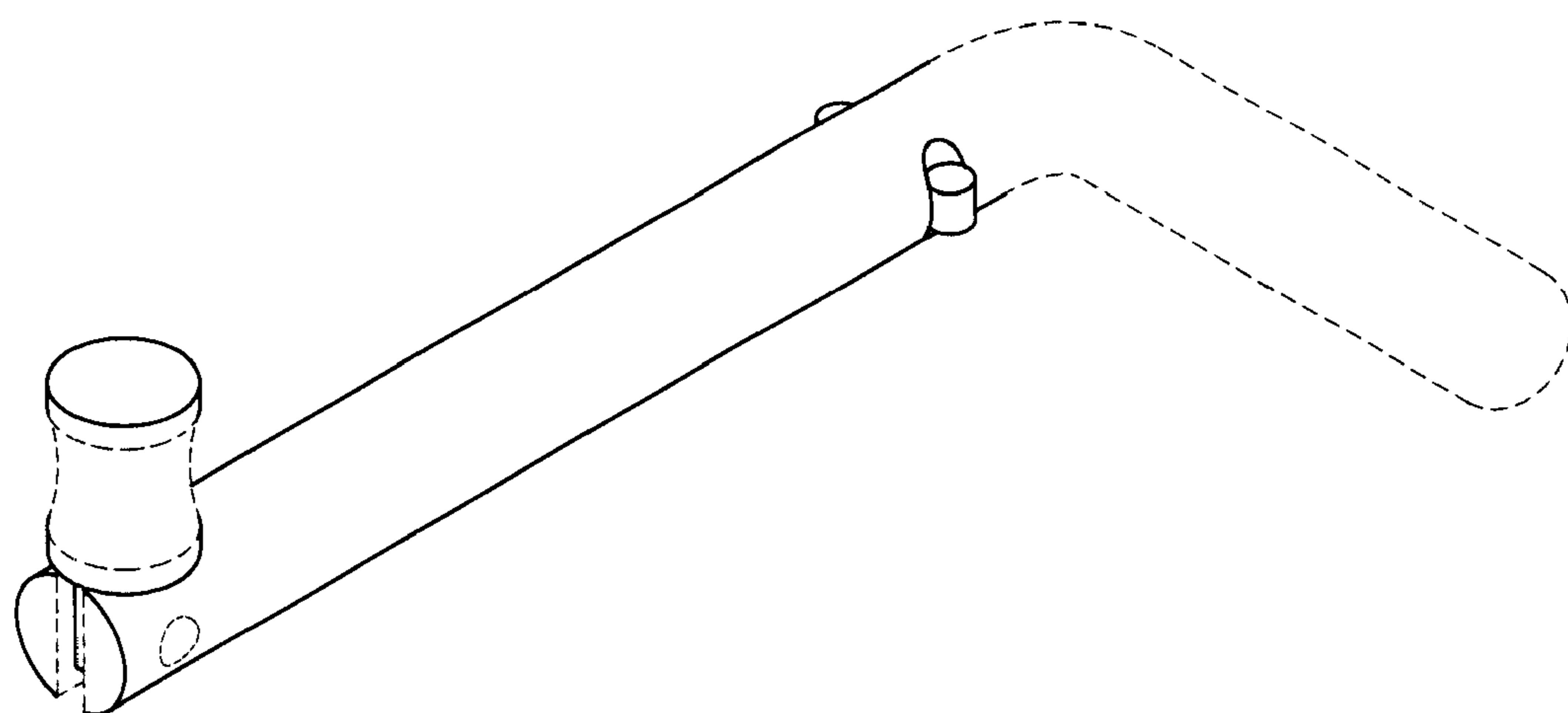


FIG. 24

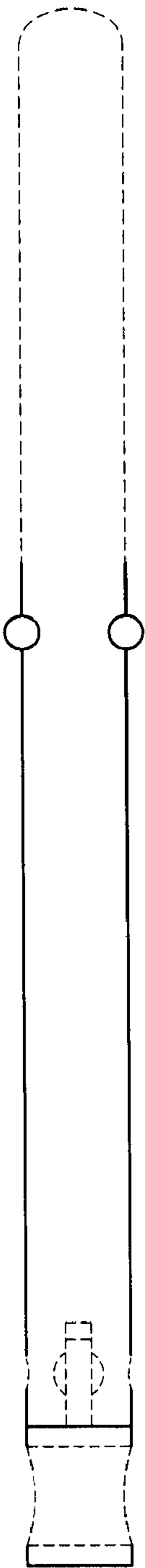


FIG. 18

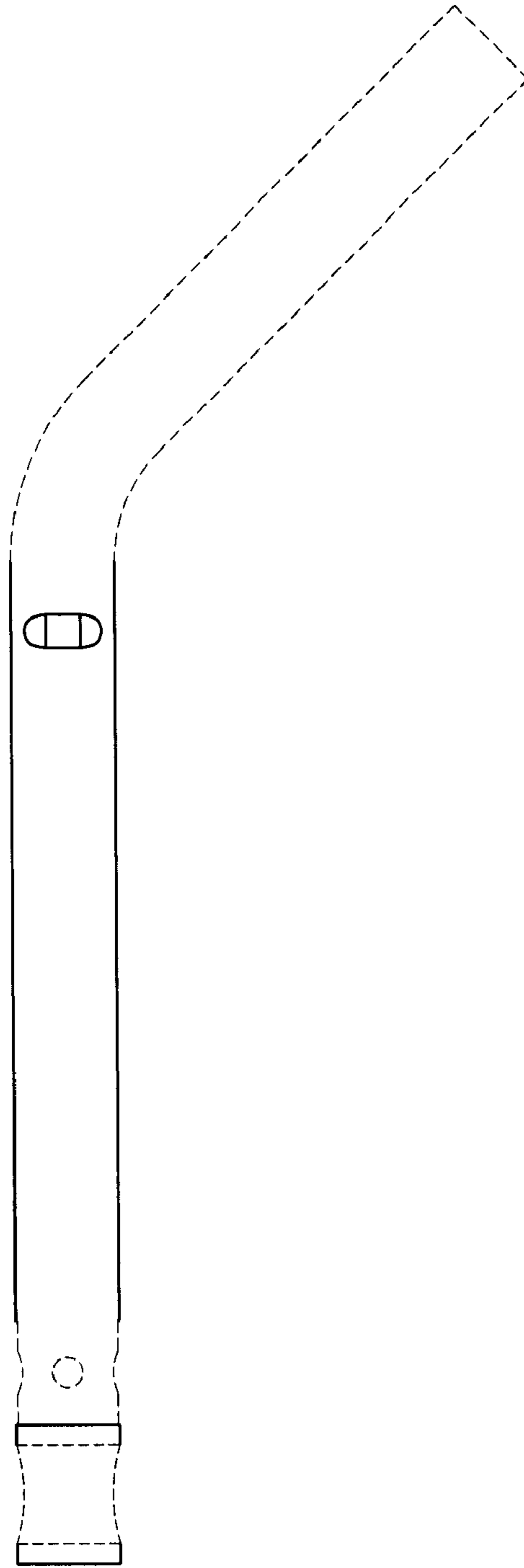


FIG. 19

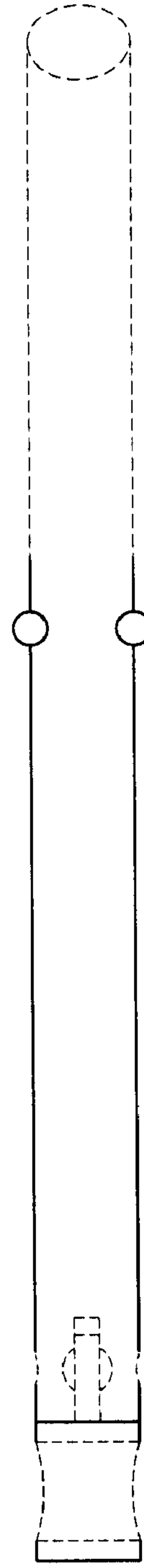


FIG. 20

FIG. 21

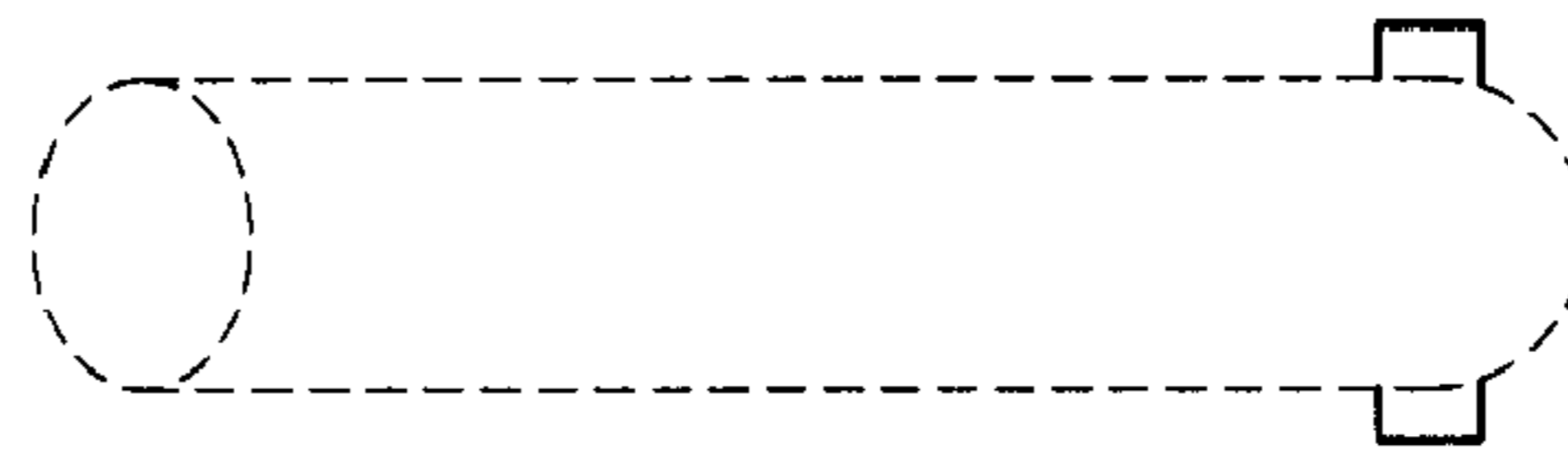


FIG. 22

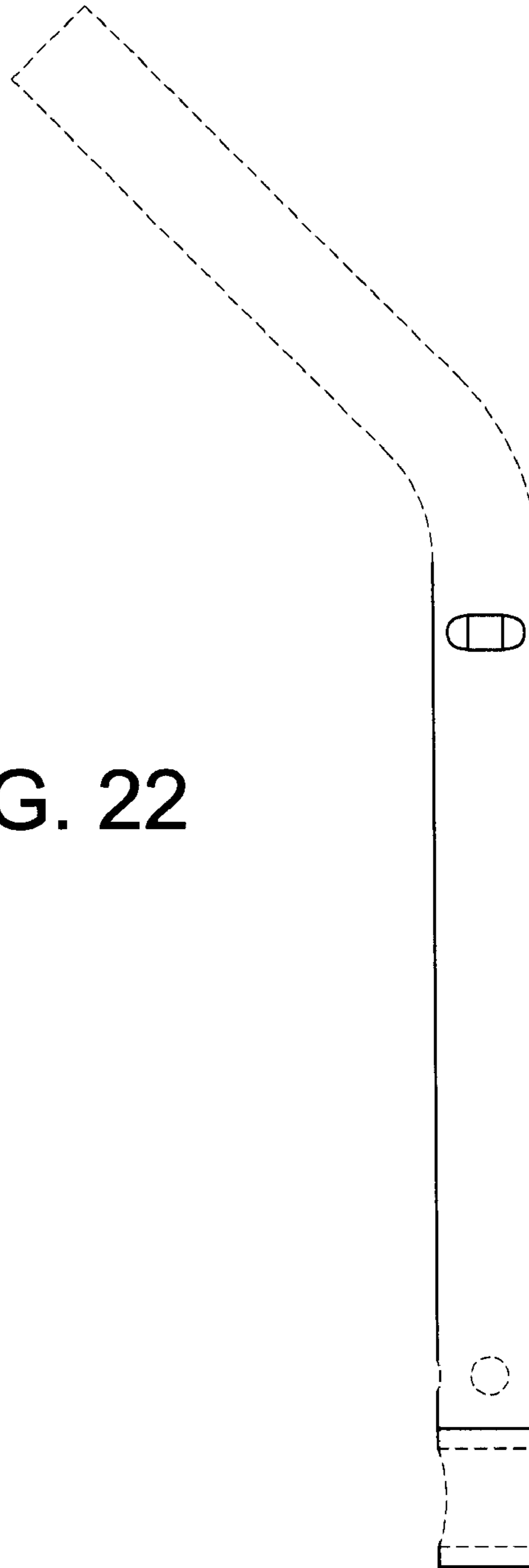
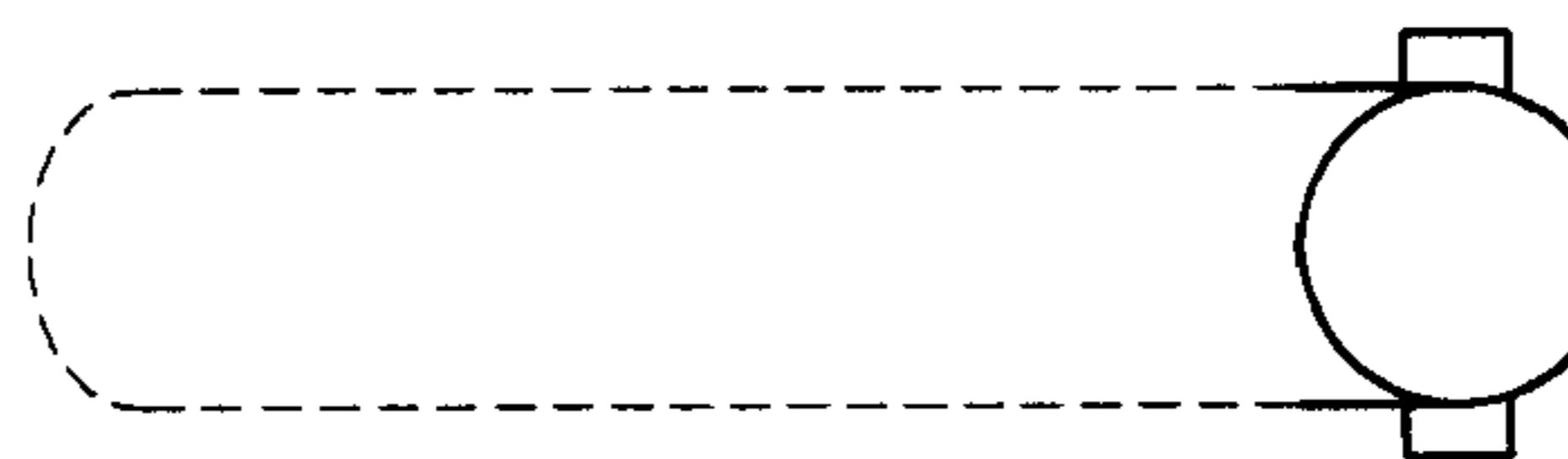


FIG. 23



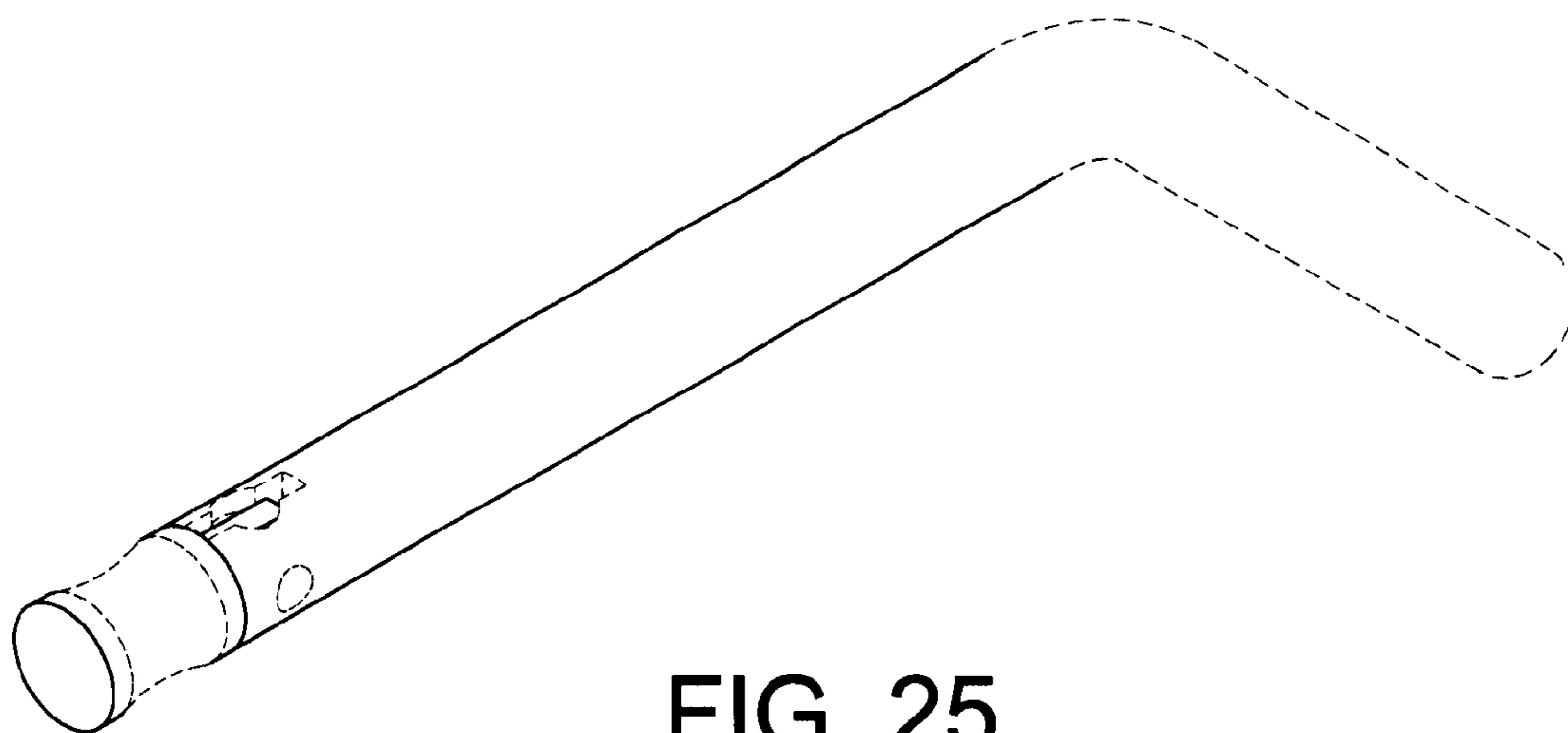


FIG. 25

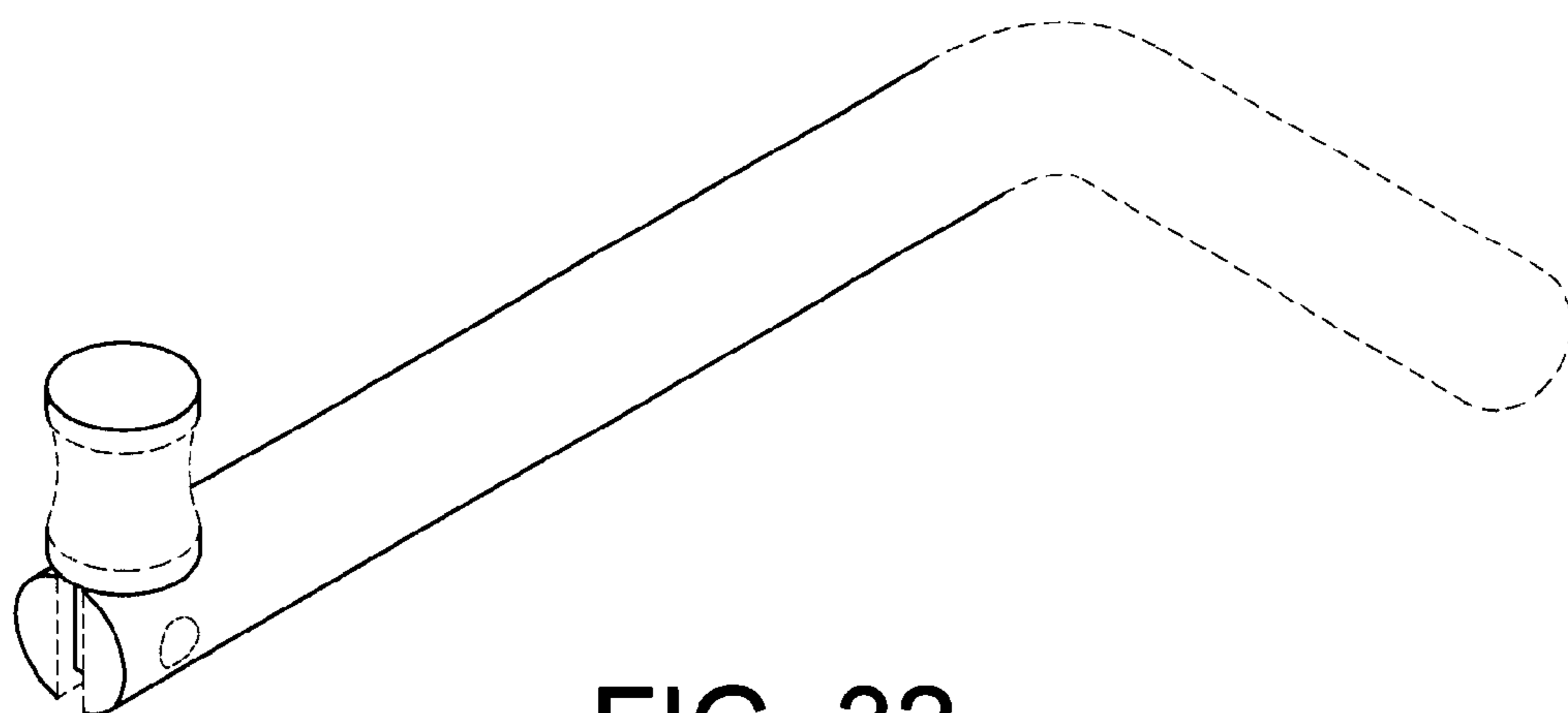


FIG. 32

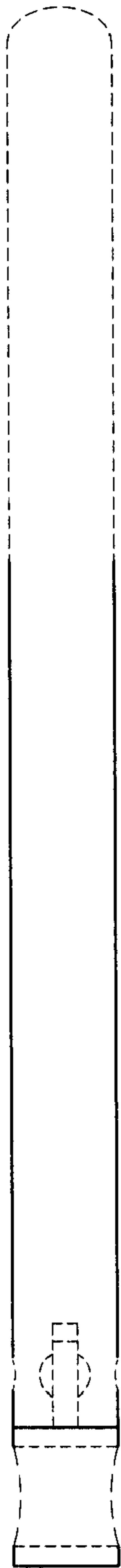


FIG. 26

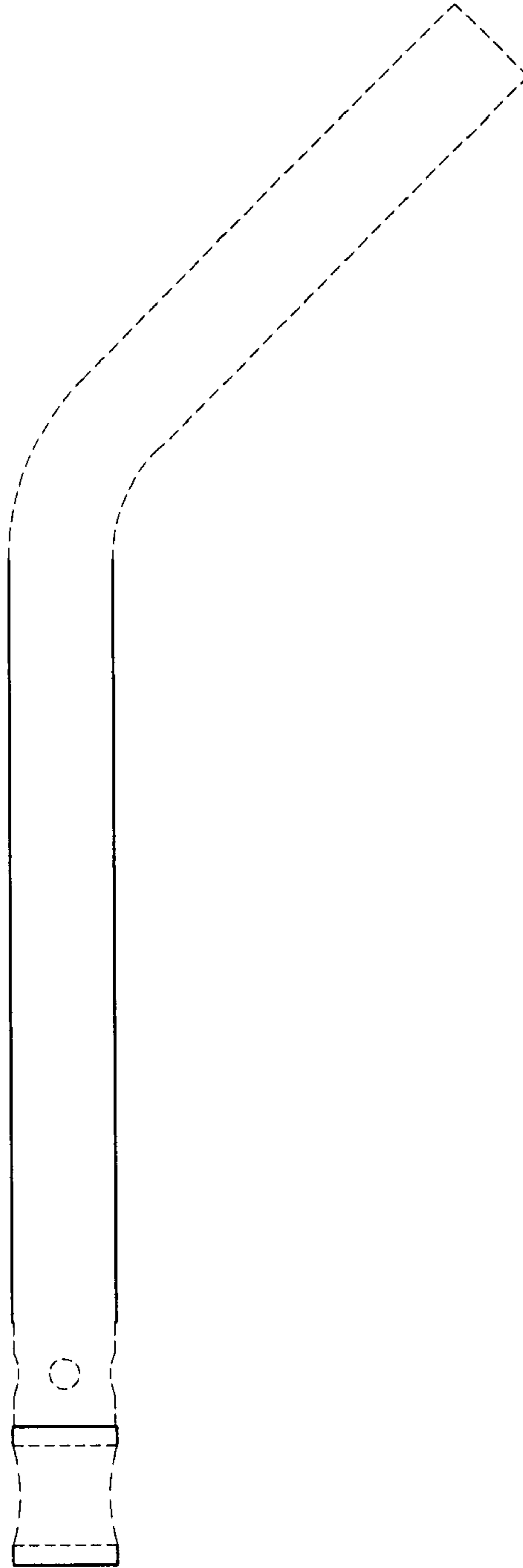


FIG. 27

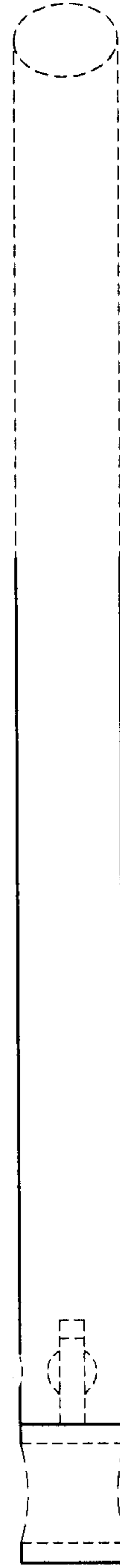


FIG. 28

FIG. 29



FIG. 30

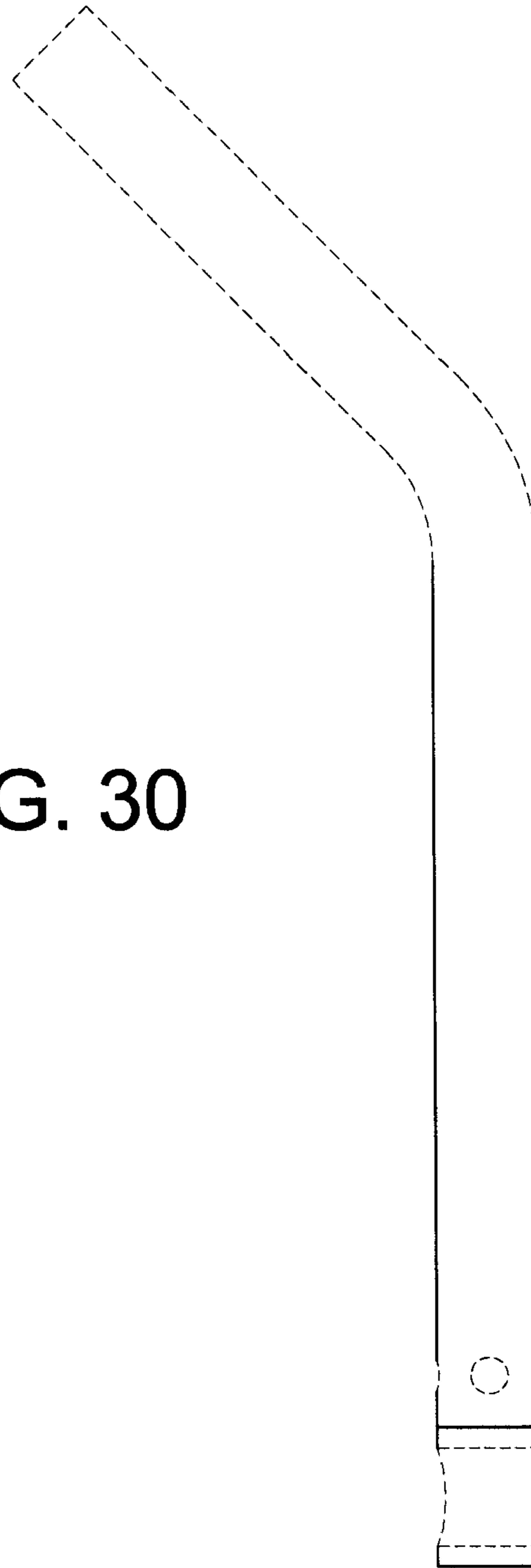


FIG. 31

