



US00D525856S

(12) **United States Design Patent**
Kwan

(10) **Patent No.:** **US D525,856 S**

(45) **Date of Patent:** **** Aug. 1, 2006**

(54) **HINGE FOR MODULAR DISC STORAGE CASE**

(75) Inventor: **Tat Ming Kwan**, Hong Kong (HK)

(73) Assignee: **Tat Tseun Industrial Ltd.**, Kowloon (HK)

(**) Term: **14 Years**

(21) Appl. No.: **29/238,787**

(22) Filed: **Sep. 20, 2005**

(51) **LOC (8) Cl.** **08-06**

(52) **U.S. Cl.** **D8/325**

(58) **Field of Classification Search** D8/323, D8/324, 325, 326, 327, 328, 329, 349, 354, D8/356; 16/234-237, 239-241, 245-246, 16/249, 254, 261-262, 265, 272, 277, 307, 16/319, 335, 339, 342, 379, 381-383, 384, 16/385, 386, 387, 388, 389, 221, DIG. 13, 16/DIG. 40, DIG. 43; 4/236, 237, 238, 239, 4/240; D23/303; 248/200, 221.11, 300, 309.1, 248/317; D7/334, 337; 206/308.2, 232
See application file for complete search history.

(56) **References Cited**

U.S. PATENT DOCUMENTS

- 3,088,162 A * 5/1963 Robbins 16/335
- D233,880 S * 12/1974 Swenson D8/325
- 4,670,938 A * 6/1987 Fowlston 16/382
- 4,785,499 A * 11/1988 Giuffrida et al. 16/241
- 4,892,189 A * 1/1990 Kunimune et al. 206/232

- 5,135,106 A * 8/1992 Morrone 206/308.1
- 5,448,799 A * 9/1995 Stein, Jr. 16/225
- 5,904,245 A * 5/1999 Tsujino 206/232
- D411,434 S * 6/1999 Russell D8/323
- D419,417 S * 1/2000 Kane D8/98
- D443,198 S * 6/2001 Snyder D8/354
- 2004/0245132 A1 * 12/2004 Morrone 206/308.1

FOREIGN PATENT DOCUMENTS

GB 3008329 S * 11/2002

* cited by examiner

Primary Examiner—Janice E. Seeger

Assistant Examiner—T. Chase Nelson

(74) *Attorney, Agent, or Firm*—Blakely, Sokoloff, Taylor & Zafman; Stephen M. De Klerk

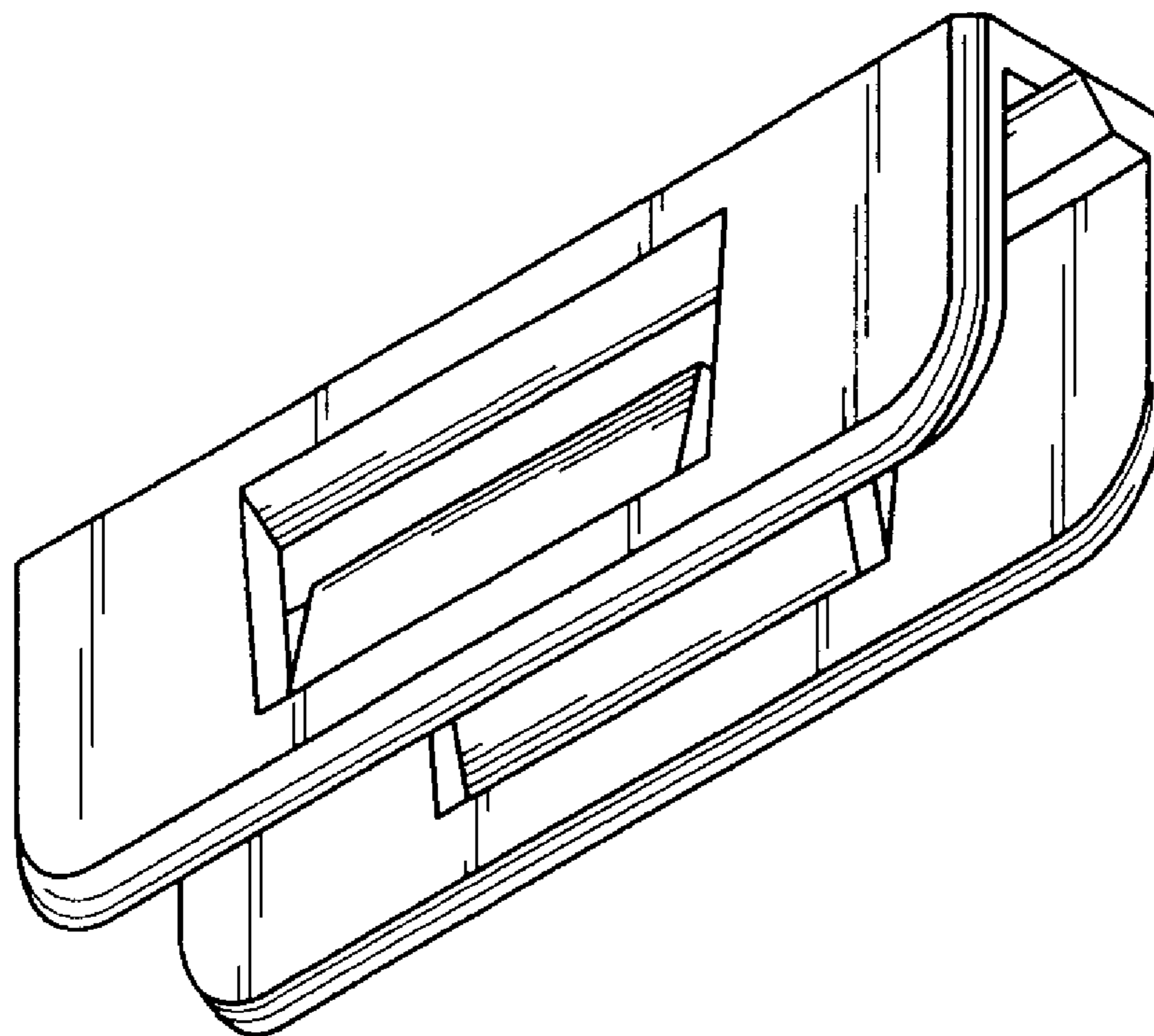
(57) **CLAIM**

The ornamental design for a hinge for modular disc storage case, as shown and described.

DESCRIPTION

FIG. 1 is a front perspective view of a hinge for modular disc storage case, showing my new design;
FIG. 2 is a perspective view in opened condition thereof;
FIG. 3 is a front view thereof;
FIG. 4 is a rear view thereof;
FIG. 5 is a left end view thereof;
FIG. 6 is a right end view thereof;
FIG. 7 is a top plan view thereof; and,
FIG. 8 is a bottom plan view thereof.

1 Claim, 2 Drawing Sheets



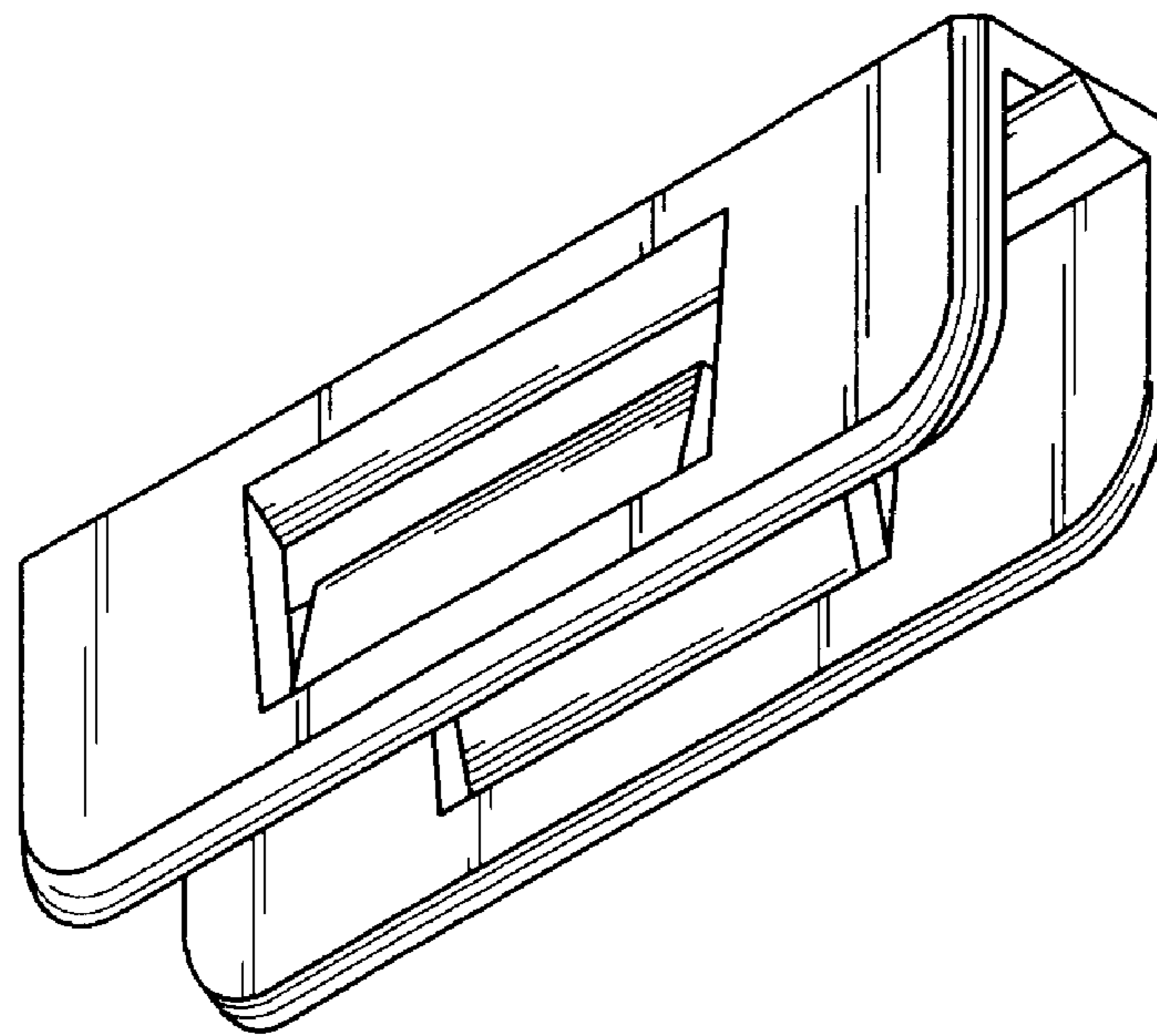


FIG. 1

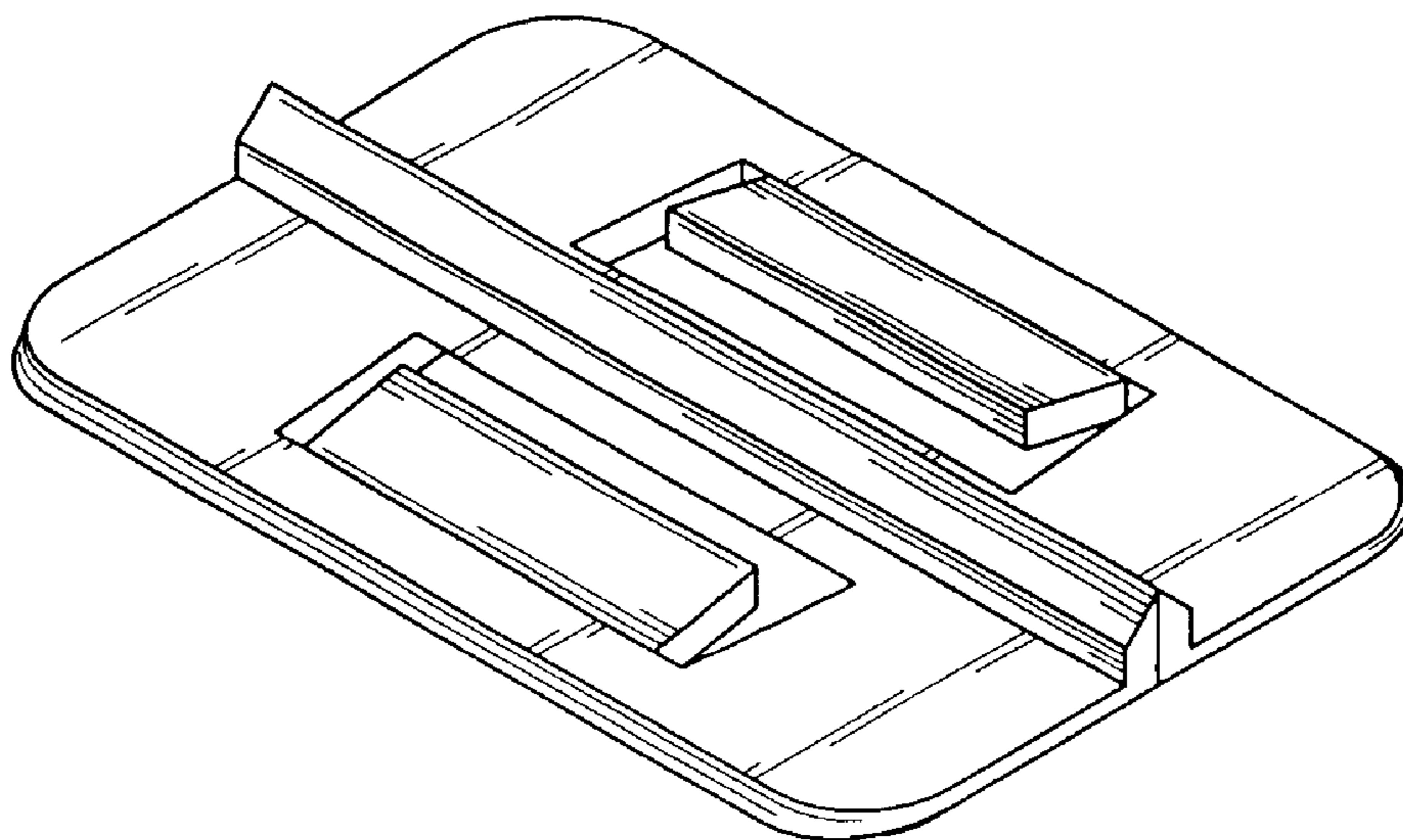


FIG. 2

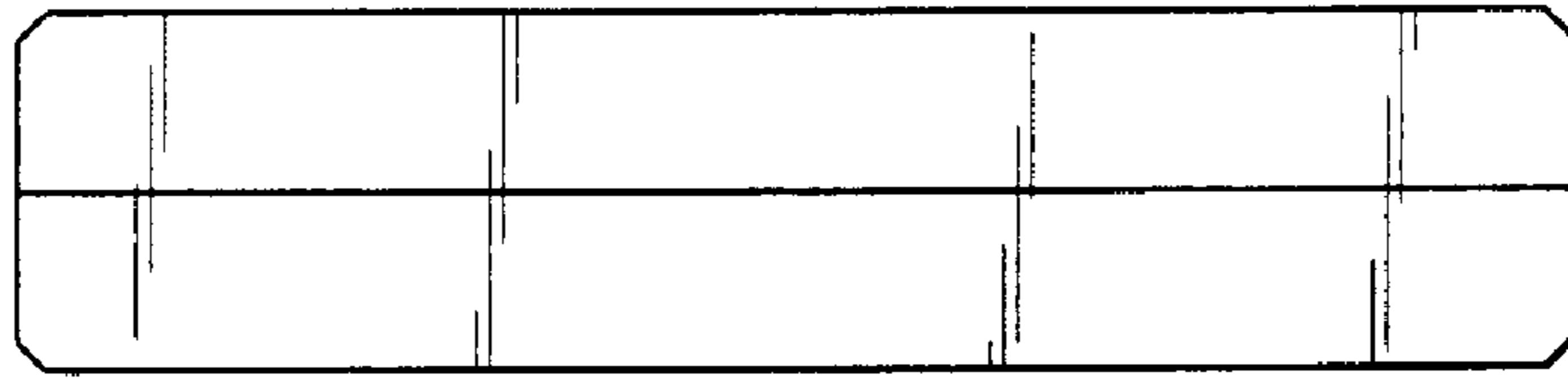


FIG. 7

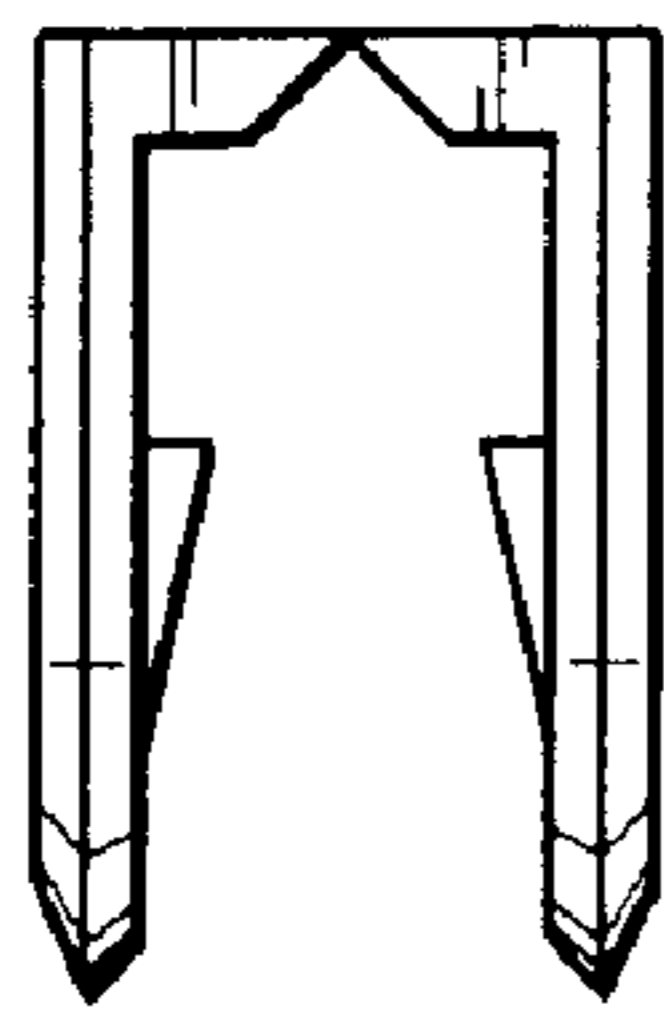


FIG. 5

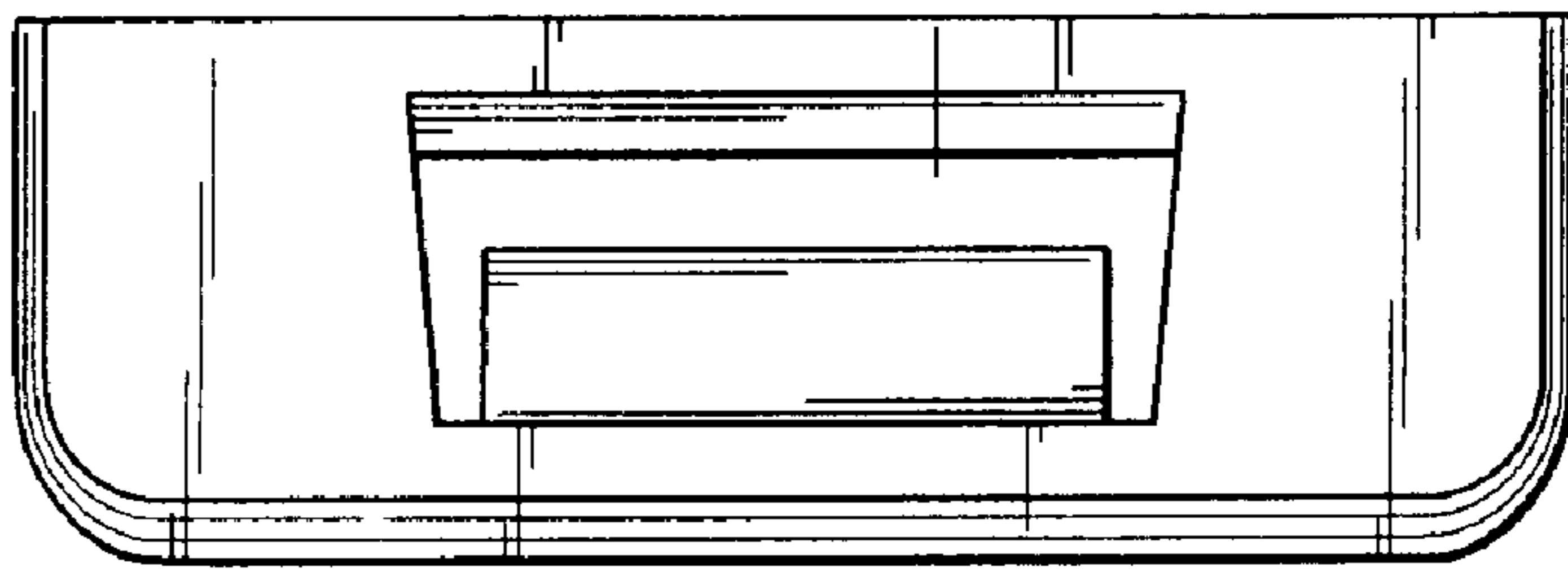


FIG. 3

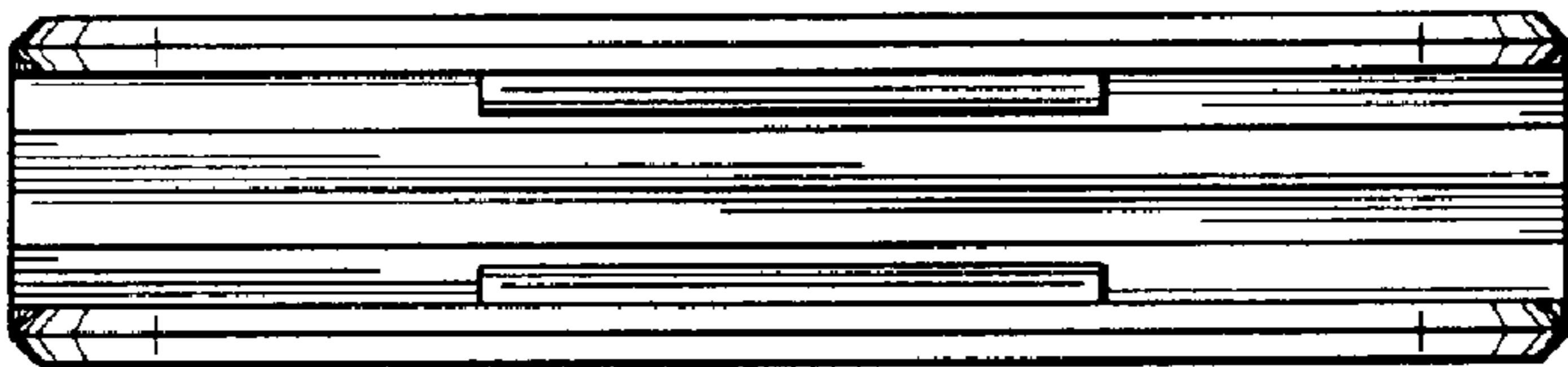


FIG. 8

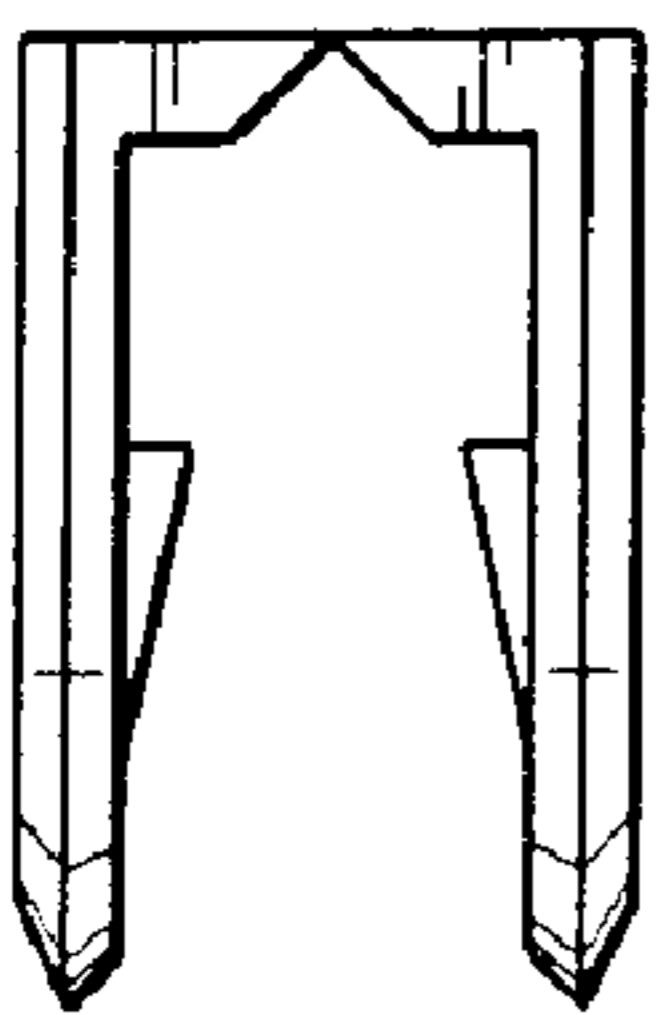


FIG. 6

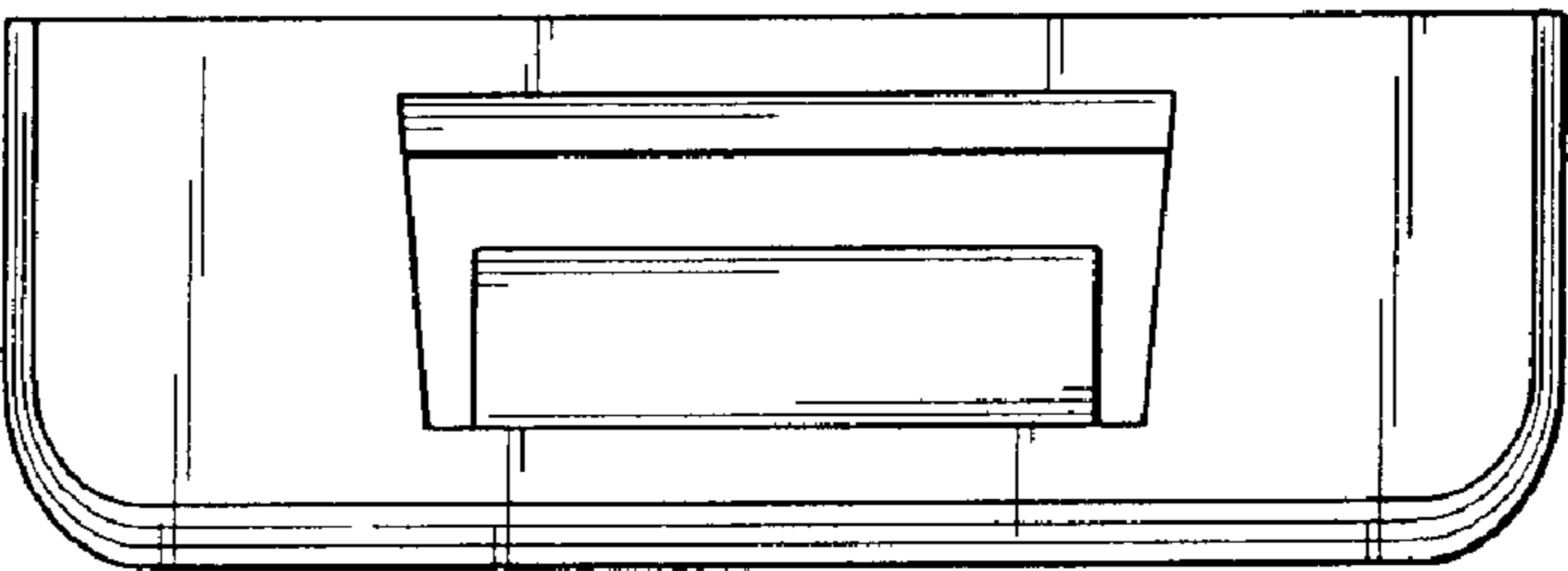


FIG. 4