

US00D525851S

(12) **United States Design Patent**
Turnbull et al.

(10) **Patent No.:** **US D525,851 S**

(45) **Date of Patent:** **** Aug. 1, 2006**

(54) **ERGONOMIC OPTICAL DISK
UNWRAPPING DEVICE**

(76) Inventors: **Randolph Morris Turnbull**, 17723
Clara Lee St., Brighton, CO (US)
80603; **Bonnie Jean Turnbull**, 17723
Clara Lee St., Brighton, CO (US) 80603

(**) **Term:** **14 Years**

(21) **Appl. No.:** **29/210,316**

(22) **Filed:** **Jul. 29, 2004**

(51) **LOC (8) Cl.** **08-03**

(52) **U.S. Cl.** **D8/98**

(58) **Field of Classification Search** D6/98,
D6/99, 100, 107; 30/287, 289, 294, 299
See application file for complete search history.

(56) **References Cited**

U.S. PATENT DOCUMENTS

4,001,934	A	*	1/1977	Bell	30/289
5,048,188	A	*	9/1991	Wolff	30/288
5,127,161	A	*	7/1992	Ikeda	30/294
5,555,624	A	*	9/1996	McCracken	30/294

5,666,731	A	*	9/1997	Rungren	30/287
D419,417	S	*	1/2000	Kane	D8/98
D423,318	S	*	4/2000	Lacy	D8/98
D424,397	S	*	5/2000	Wiseman	D8/98
D435,775	S	*	1/2001	Rothschild et al.	D8/98
D477,520	S	*	7/2003	McCracken	D8/98

* cited by examiner

Primary Examiner—Philip S. Hyder

(74) *Attorney, Agent, or Firm*—Barber Legal; Craig Barber

(57) **CLAIM**

The ornamental design for an ergonomic optical disk unwrapping device, as shown and described.

DESCRIPTION

FIG. 1 is a right front elevational perspective view of the optical disk unwrapper of the present invention.
FIG. 2 is a left rear elevational perspective view of the optical disk unwrapper of the present invention.
FIG. 3 is a left side view of the invention.
FIG. 4 is a right side view of the invention.
FIG. 5 is a bottom view of the invention; and,
FIG. 6 is a top view of the invention.

1 Claim, 2 Drawing Sheets

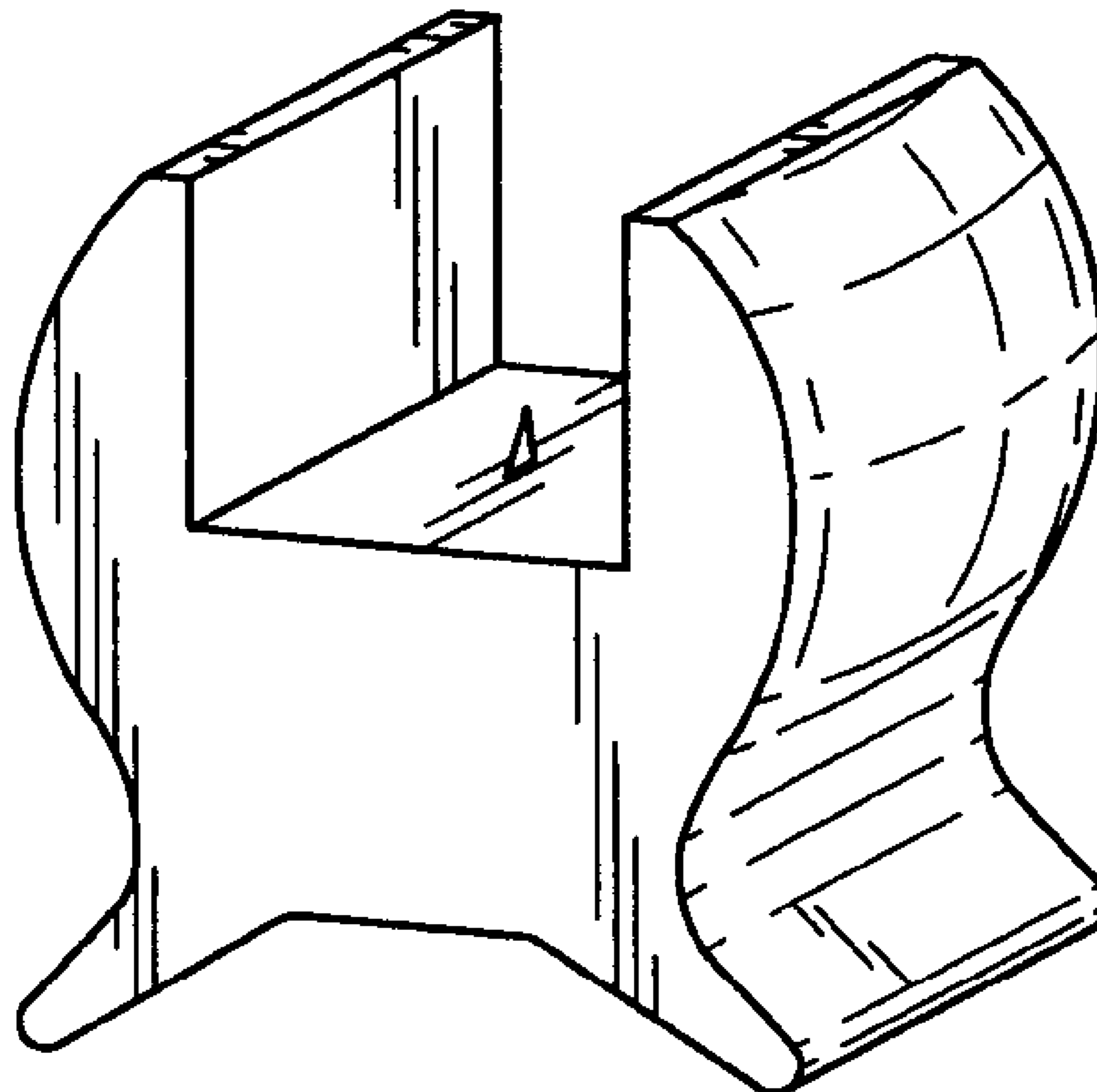


FIG. 1

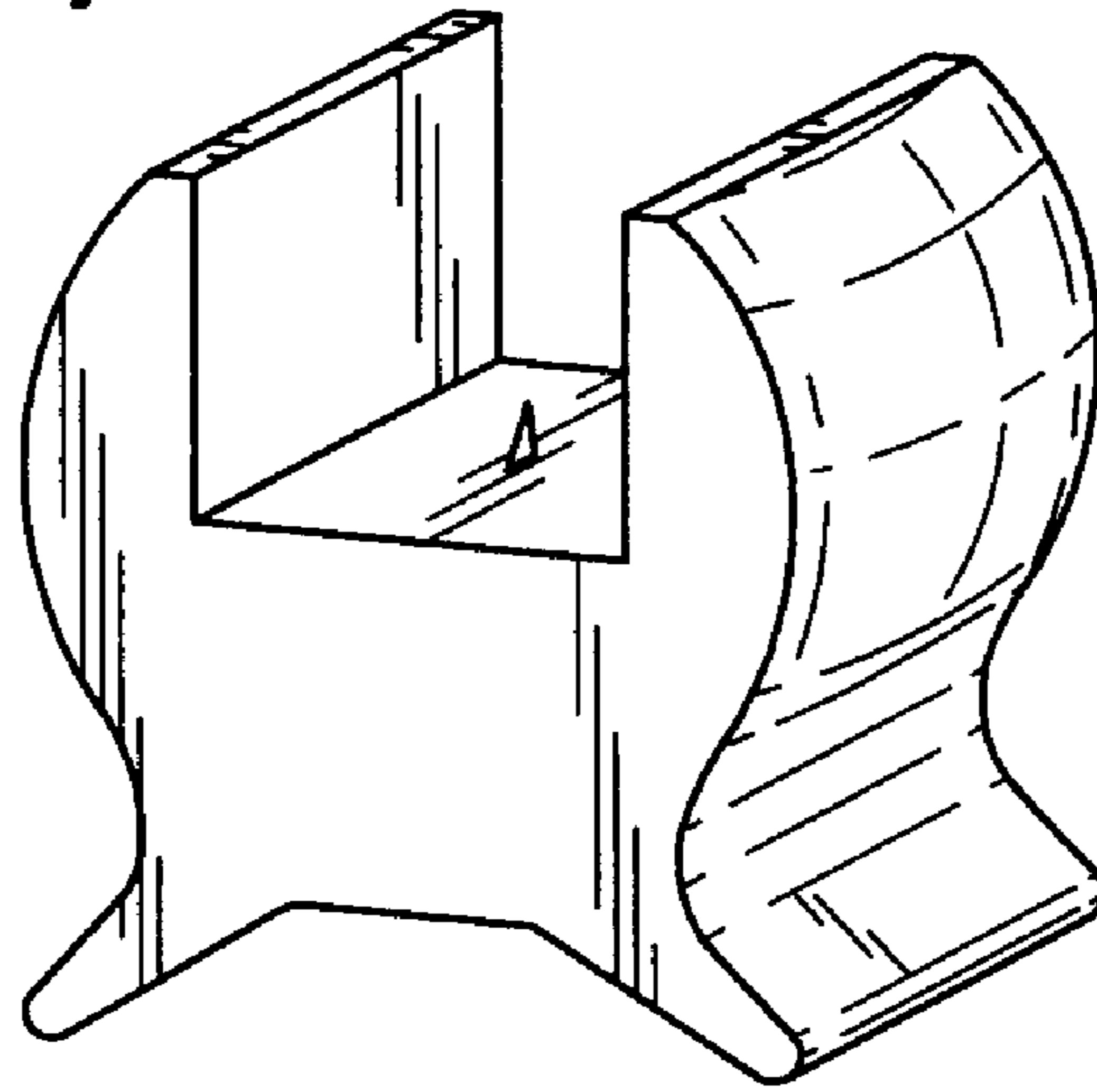


FIG. 2

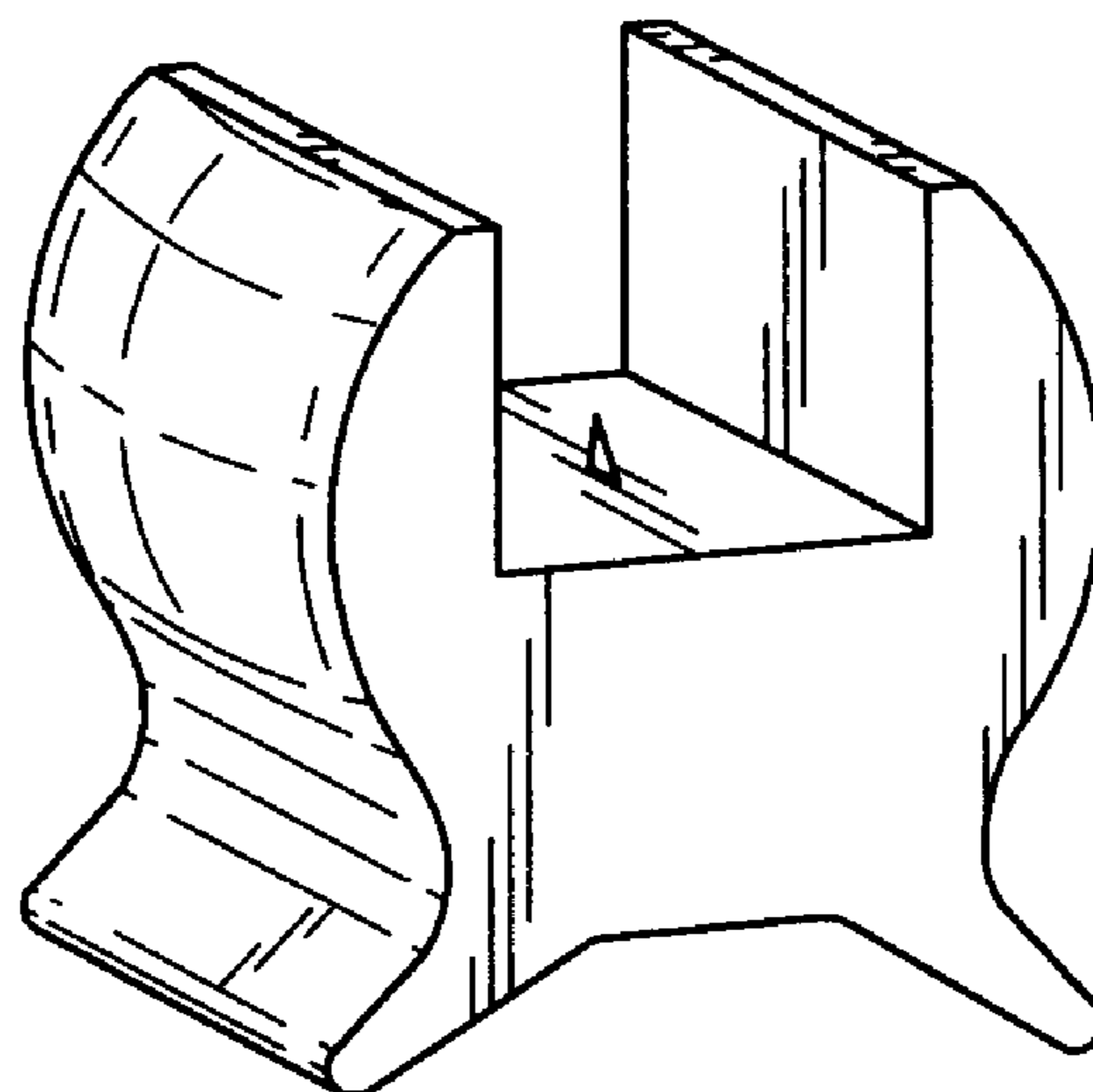


FIG. 3

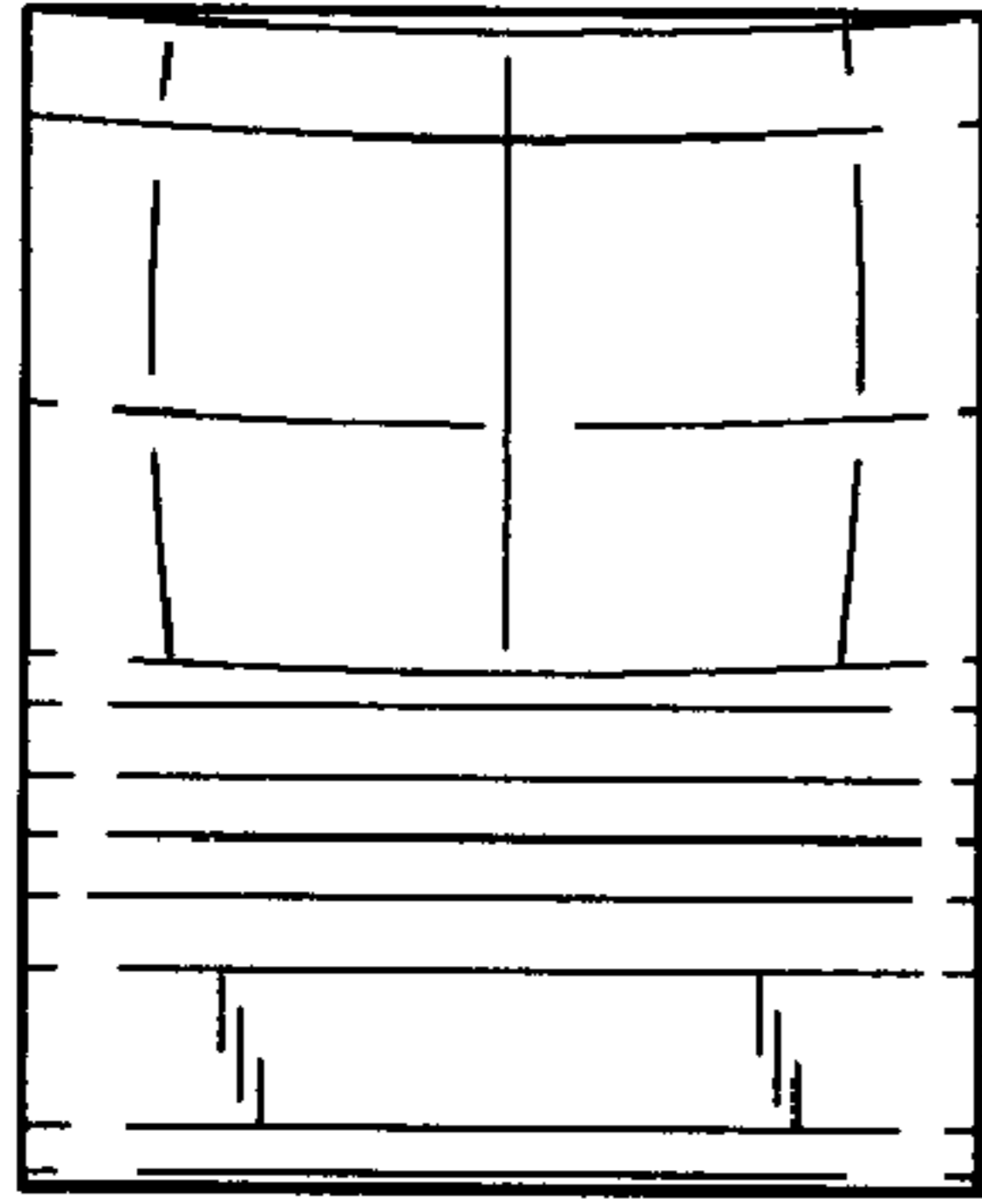


FIG. 4

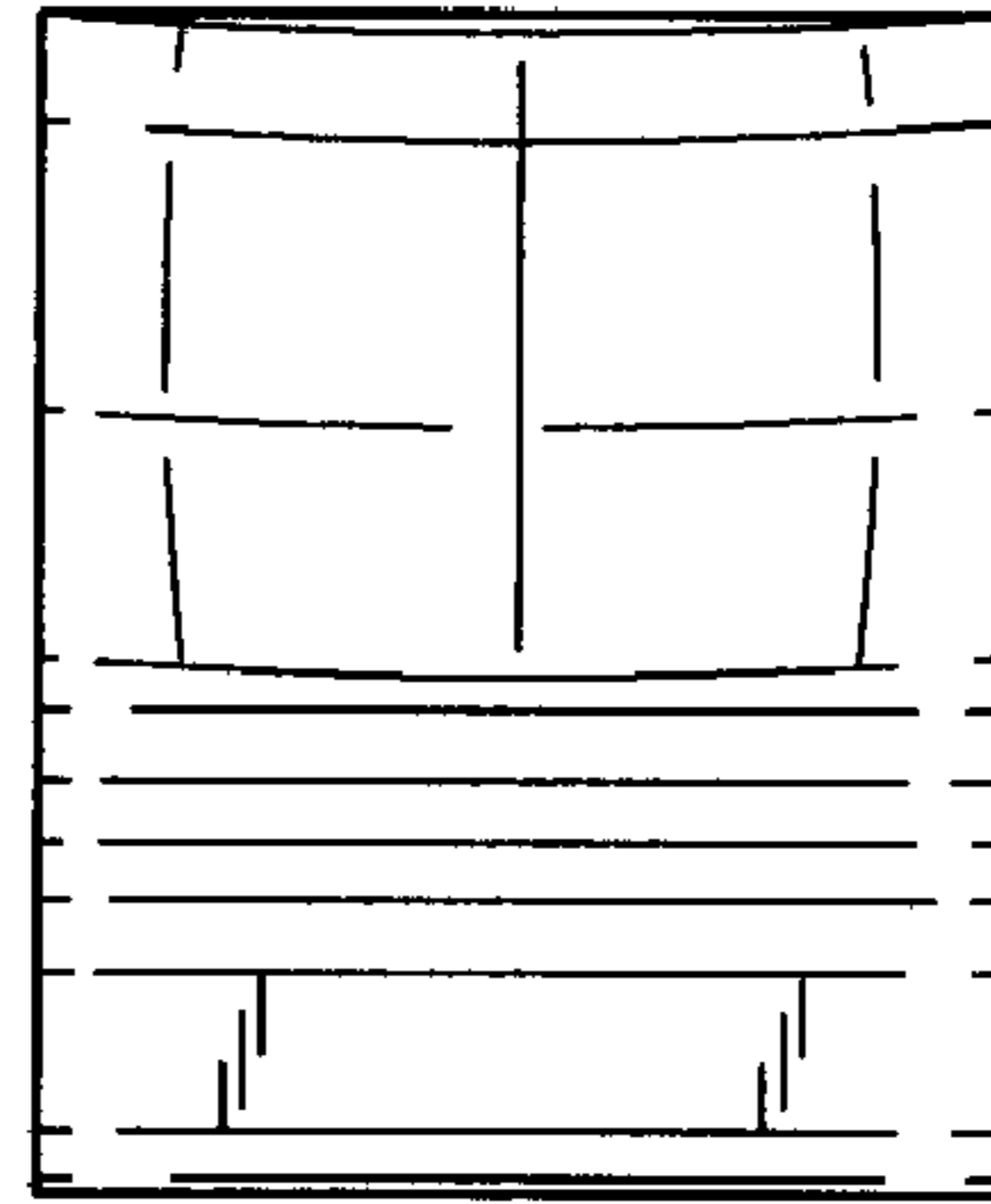


FIG. 5

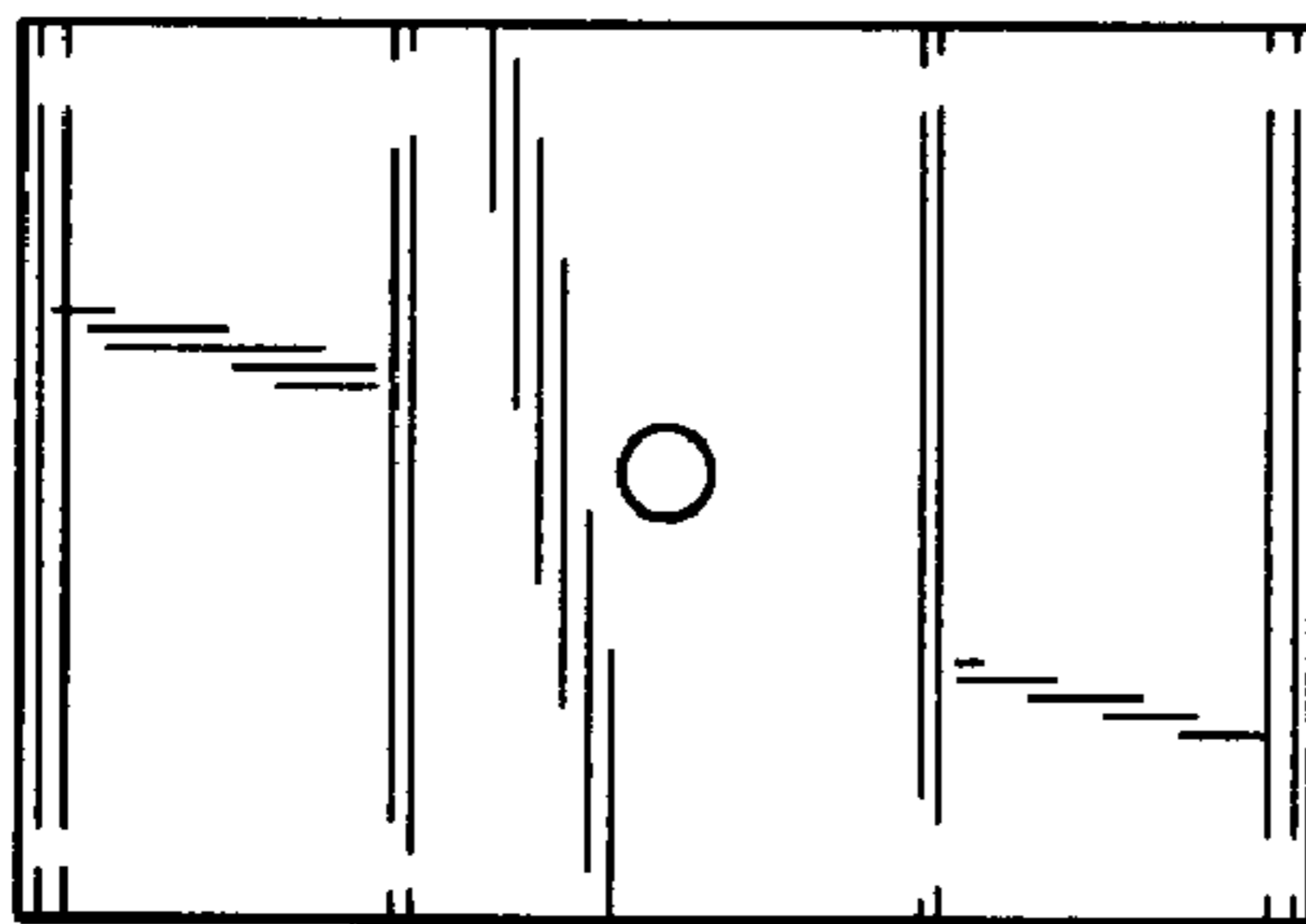


FIG. 6

