



US00D525849S

(12) **United States Design Patent** (10) **Patent No.:** **US D525,849 S**  
**Hayakawa et al.** (45) **Date of Patent:** **\*\* Aug. 1, 2006**

(54) **PORTABLE ELECTRIC HAMMER DRILL**

(76) Inventors: **Naohiro Hayakawa**, c/o Makita Corporation of 11-8, Sumiyoshi-cho 3-chome, Anjo-shi, Aichi-ken (JP); **Yasutoshi Shinma**, c/o Makita Corporation of 11-8, Sumiyoshi-cho 3-chome, Anjo-shi, Aichi-ken (JP); **Junichi Iwakami**, c/o Makita Corporation of 11-8, Sumiyoshi-cho 3-chome, Anjo-shi, Aichi-ken (JP)

(\*\*) Term: **14 Years**

(21) Appl. No.: **29/228,481**

(22) Filed: **Apr. 25, 2005**

**Related U.S. Application Data**

(62) Division of application No. 29/219,108, filed on Dec. 14, 2004.

(30) **Foreign Application Priority Data**

Jun. 17, 2004 (JP) ..... 2004-18122  
Jun. 17, 2004 (JP) ..... 2004-18123  
Jun. 17, 2004 (JP) ..... 2004-18129

(51) **LOC (8) Cl.** ..... **08-01**

(52) **U.S. Cl.** ..... **D8/69**

(58) **Field of Classification Search** ..... D8/14.1, D8/61, 62, 63, 64, 65, 66, 67, 68, 69, 70; 81/57.11, 429, 464, 465, 466, 469, 489; 173/13, 173/169, 178, 213, 217; 227/8, 114, 120, 227/130, 136, 142; 310/50; 408/20, 124, 408/125, 234, 241 R; 451/358

See application file for complete search history.

(56) **References Cited**

**U.S. PATENT DOCUMENTS**

1,821,436 A \* 9/1931 Holloway ..... D8/69  
D377,591 S \* 1/1997 Hattori ..... D8/68

D380,132 S \* 6/1997 Matsunaga et al. .... D8/69  
D386,379 S \* 11/1997 Kasuya ..... D8/69  
D395,586 S \* 6/1998 Arakawa et al. .... D8/69  
D466,780 S \* 12/2002 Stirm ..... D8/69  
D474,092 S \* 5/2003 Stirm ..... D8/69  
D503,078 S \* 3/2005 Sakai et al. .... D8/69  
6,923,271 B1 \* 8/2005 Frauhammer et al. .... 173/178  
D509,120 S \* 9/2005 Okuda et al. .... D8/69  
2002/0021947 A1 \* 2/2002 Hofmann et al. .... 408/241 R  
2005/0034883 A1 \* 2/2005 Yamada et al. .... 173/217  
2005/0205277 A1 \* 9/2005 Wu ..... 173/217

**FOREIGN PATENT DOCUMENTS**

GB 2077130 S \* 2/1998  
GB 2088161 S \* 11/1999  
GB 3001470 S \* 2/2002  
GB 3009340 S \* 12/2002  
GB 3011902 S \* 3/2003

**OTHER PUBLICATIONS**

U.S. Appl. No. 29/228,479, filed Apr. 25, 2005, Hayakawa et al.

\* cited by examiner

*Primary Examiner*—Gary D. Watson  
*Assistant Examiner*—T. Chase Nelson

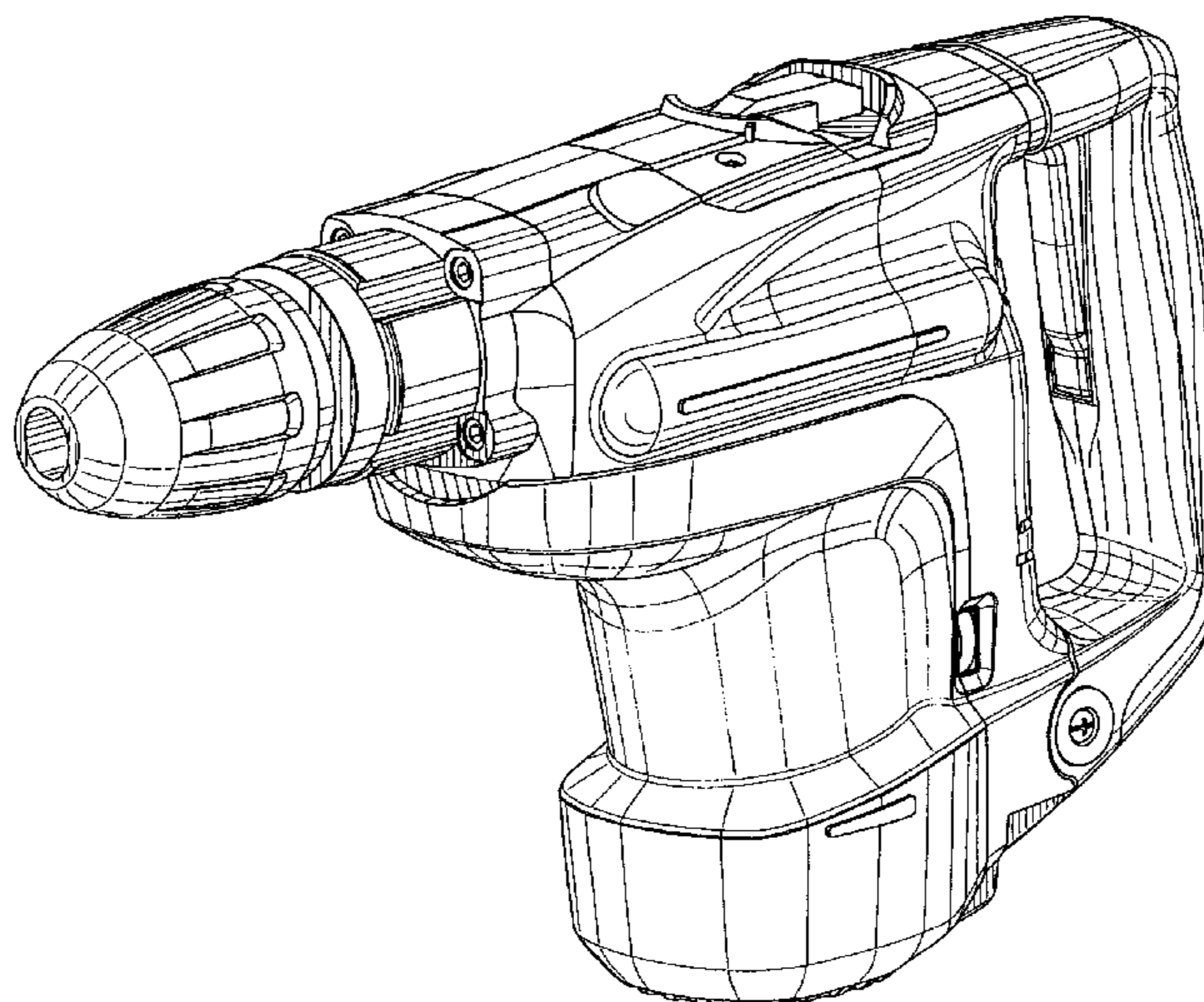
(57) **CLAIM**

The ornamental design for a portable electric hammer drill, as shown and described.

**DESCRIPTION**

FIG. 1 is a perspective view of a portable electric hammer drill showing our new design;  
FIG. 2 is a front elevational view thereof;  
FIG. 3 is a rear elevational view thereof;  
FIG. 4 is a left side elevational view thereof;  
FIG. 5 is a right side elevational view thereof;  
FIG. 6 is a top plan view thereof; and,  
FIG. 7 is a bottom plan view thereof.

**1 Claim, 5 Drawing Sheets**



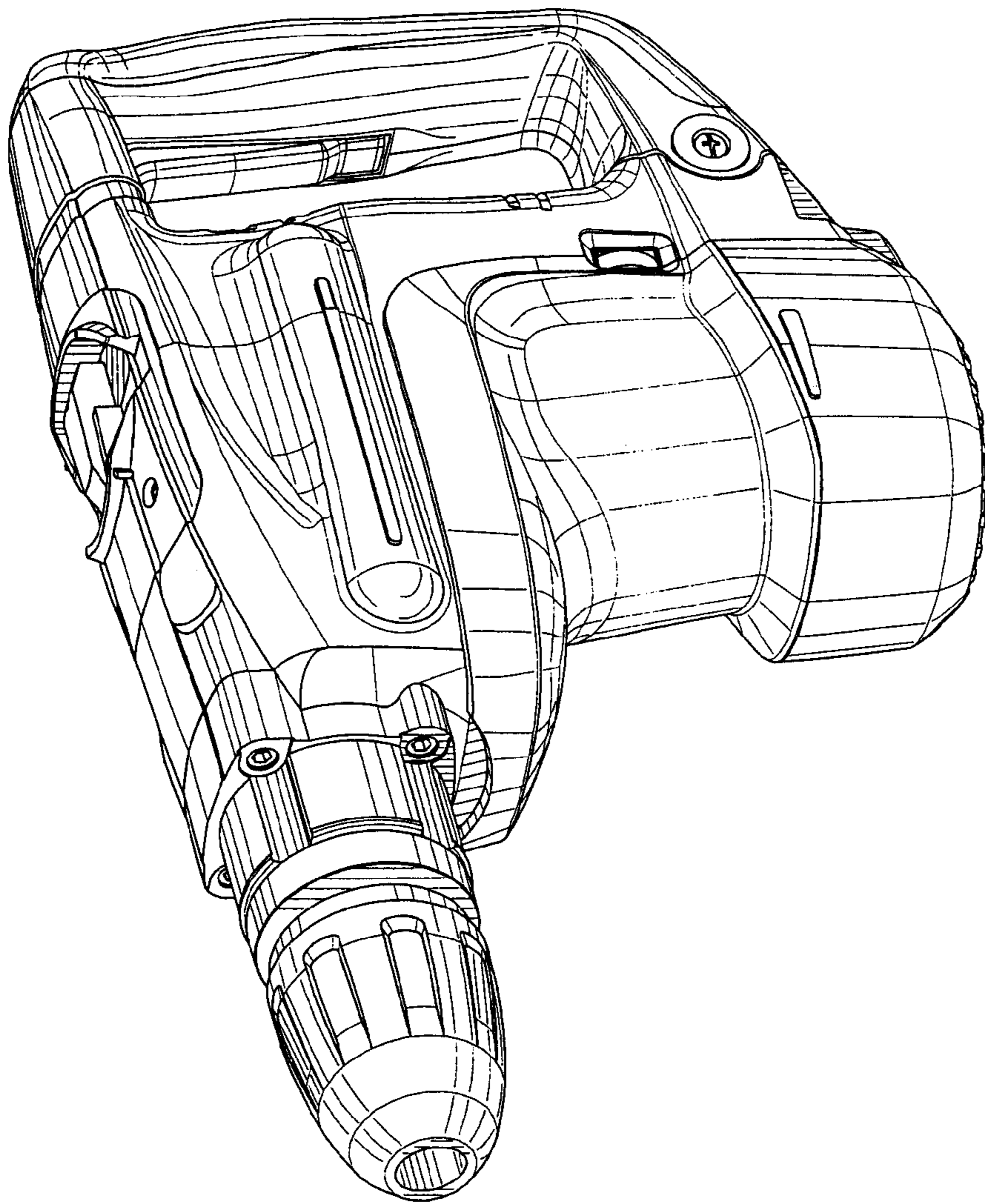


FIG. 1

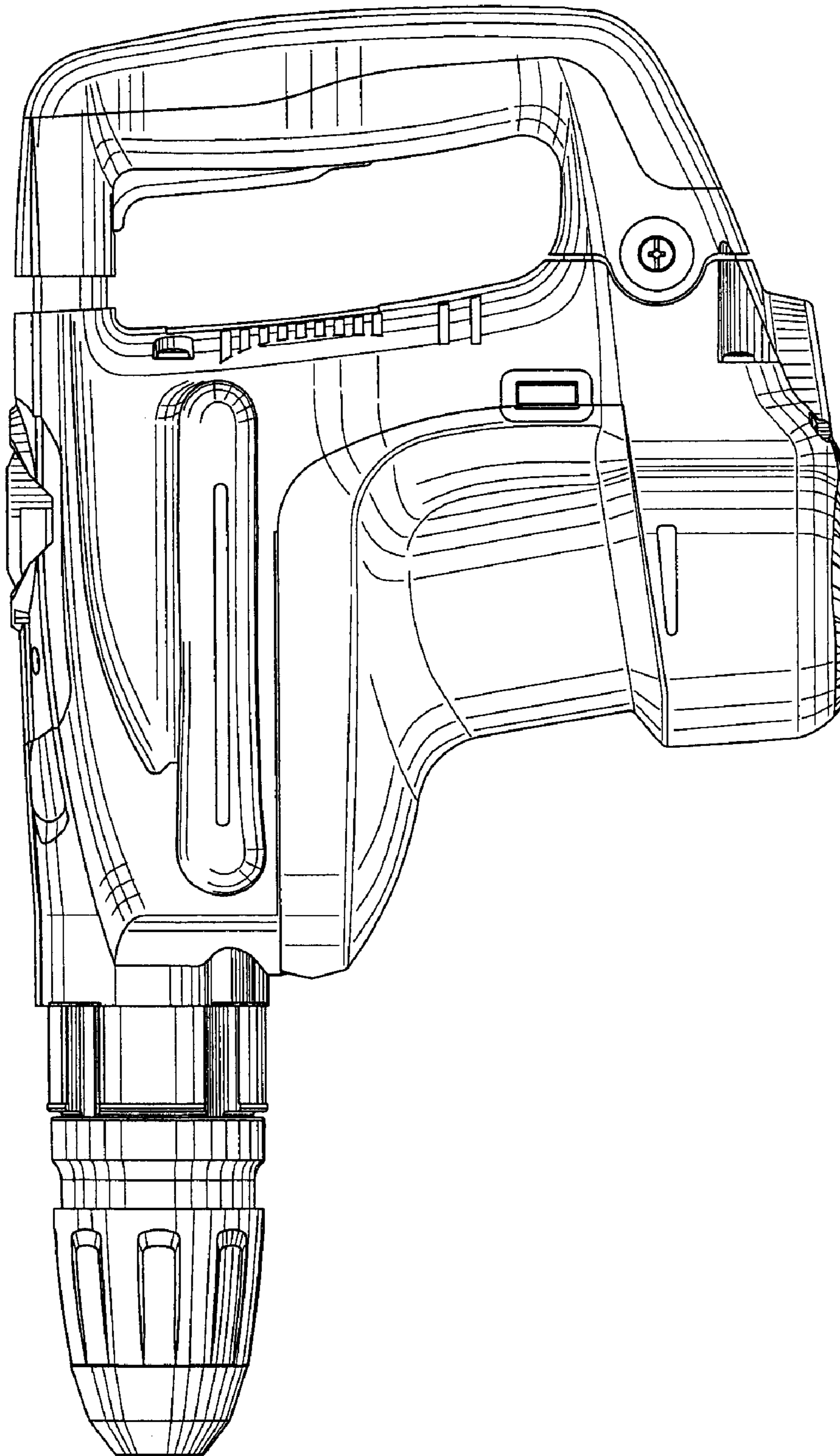


FIG. 2



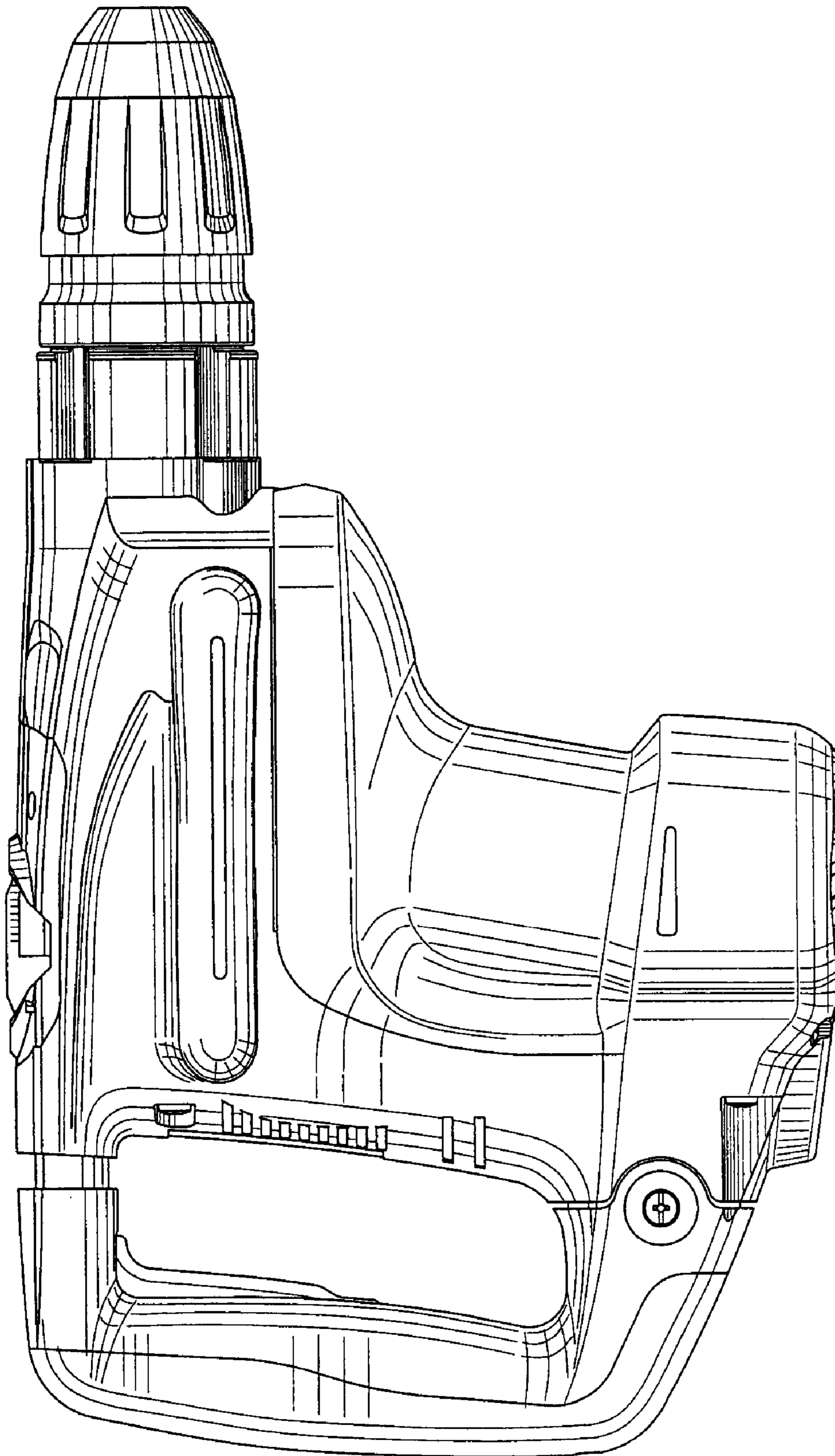


FIG. 3

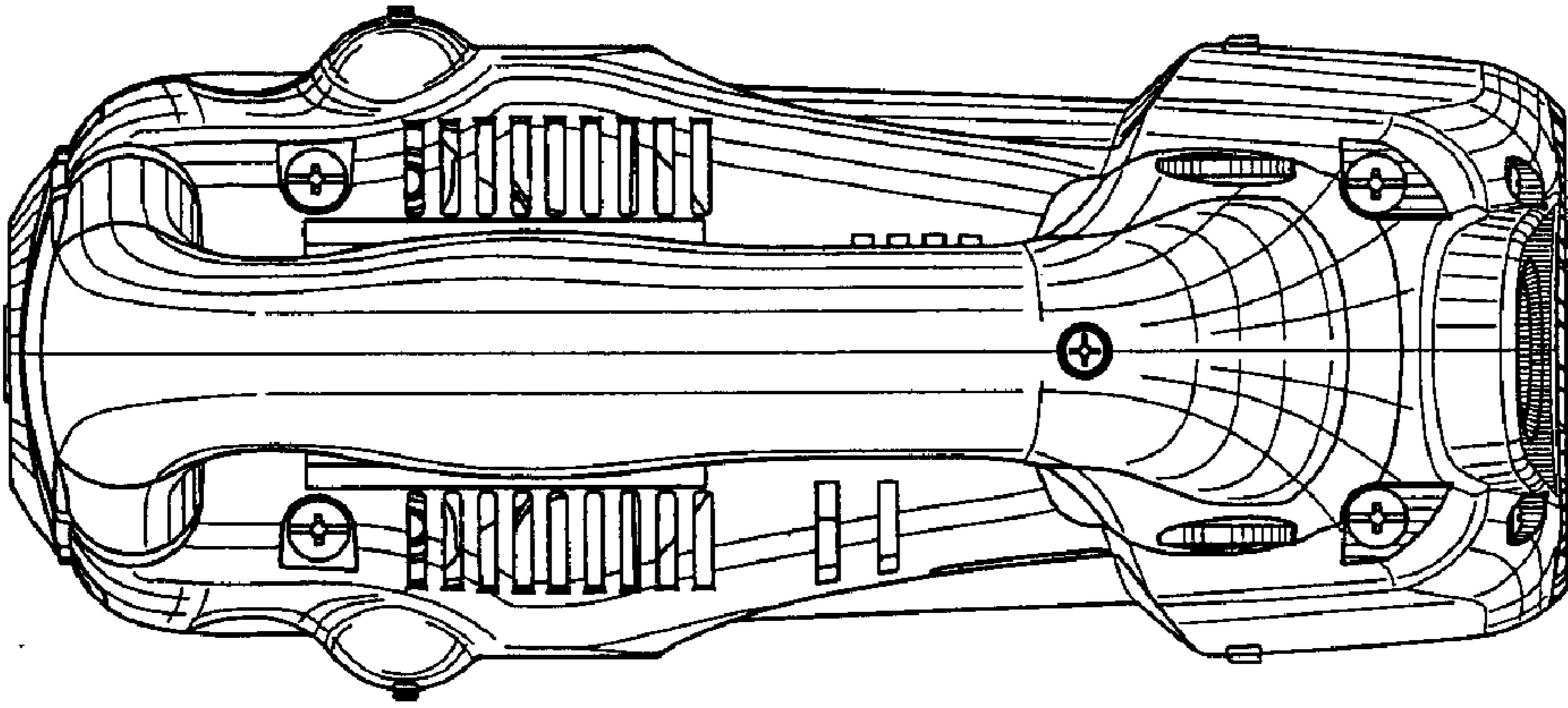


FIG. 4

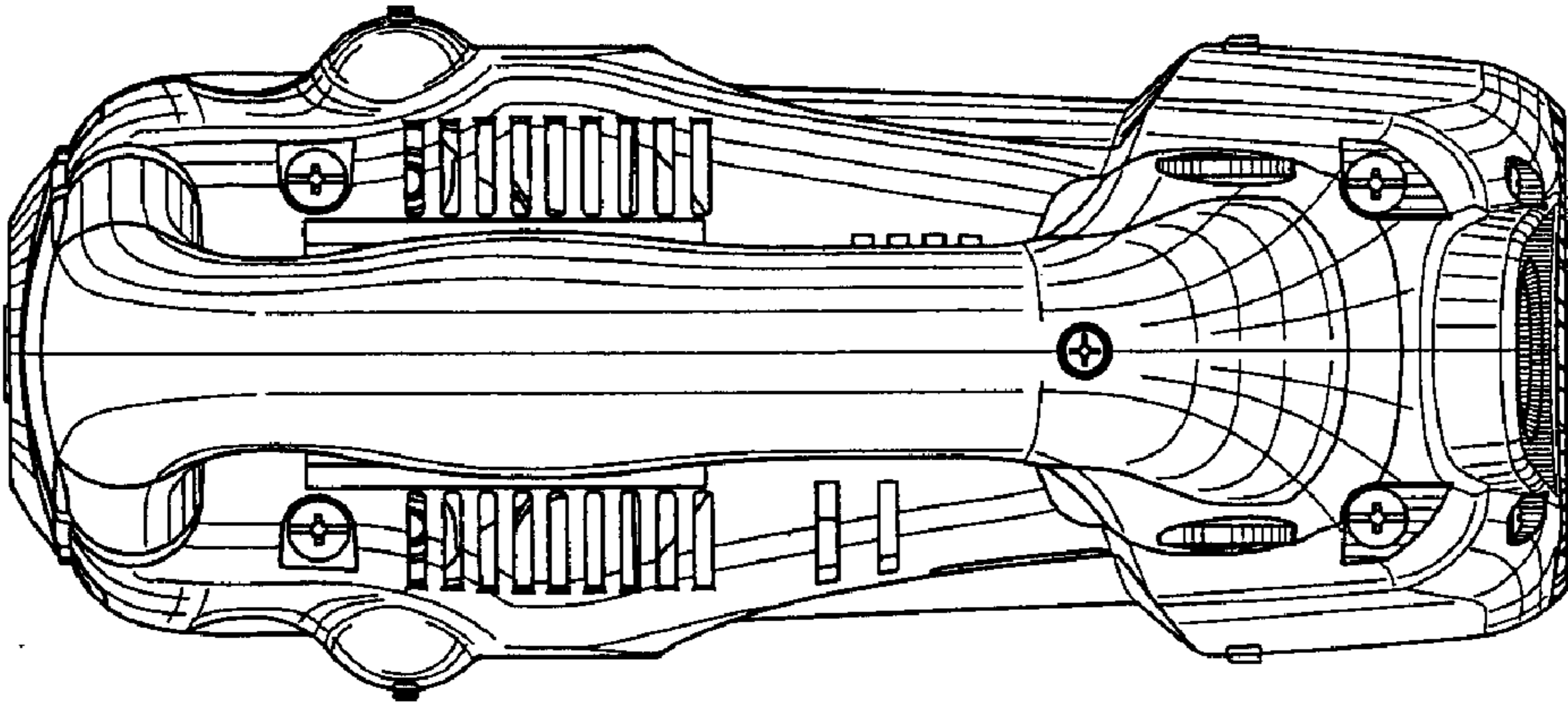


FIG. 5

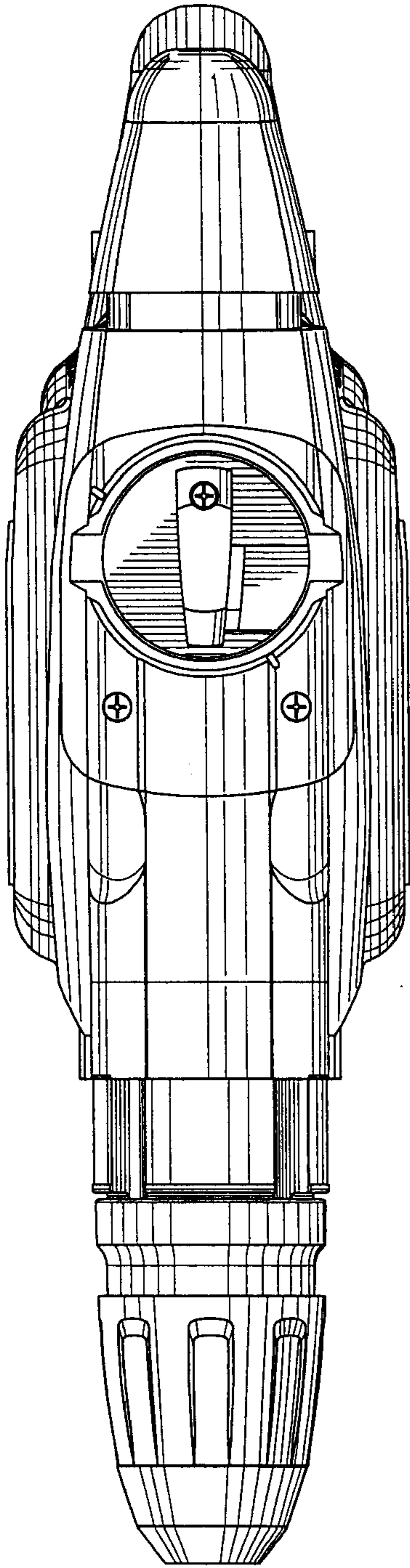


FIG. 6

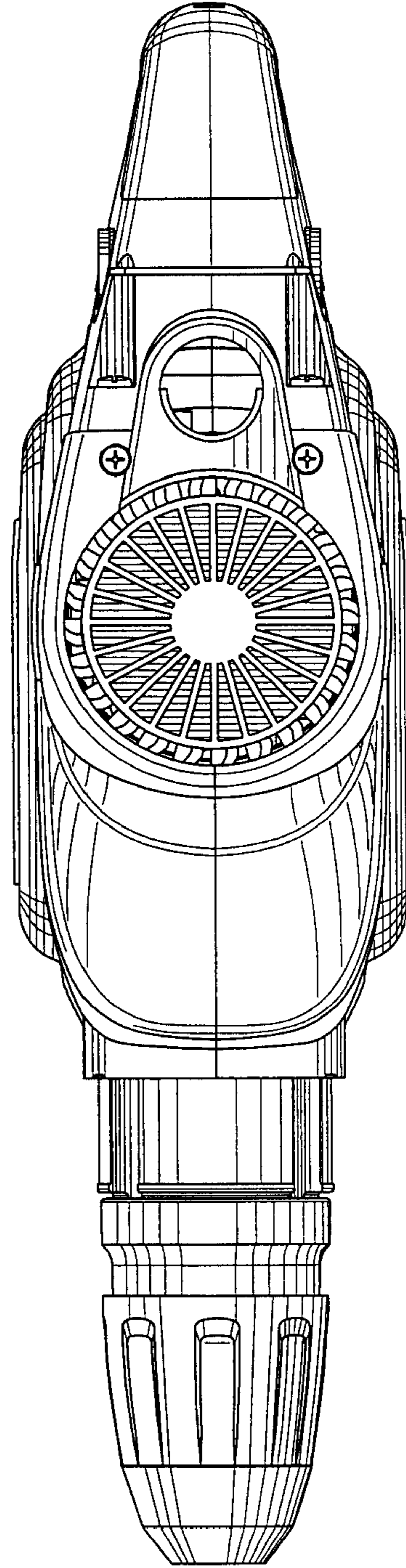


FIG. 7

UNITED STATES PATENT AND TRADEMARK OFFICE  
**CERTIFICATE OF CORRECTION**

PATENT NO. : Des. 525,849 S  
APPLICATION NO. : 29/228481  
DATED : August 1, 2006  
INVENTOR(S) : Naohiro Hayakawa et al.

Page 1 of 7

It is certified that error appears in the above-identified patent and that said Letters Patent is hereby corrected as shown below:

The title page should be deleted to appear as per attached title page

The sheets of drawings consisting of figures 1-7 should be deleted to appear as per attached figures 1-7.

Signed and Sealed this

Twenty-second Day of January, 2008

A handwritten signature in black ink that reads "Jon W. Dudas". The signature is written in a cursive style with a large, looped initial "J".

JON W. DUDAS

*Director of the United States Patent and Trademark Office*



(12) **United States Design Patent**  
**Hayakawa et al.**

(10) **Patent No.:** **US D525,849 S**  
(45) **Date of Patent:** **\*\* Aug. 1, 2006**

(54) **PORTABLE ELECTRIC HAMMER DRILL**

(76) **Inventors:** **Naohiro Hayakawa, c/o Makita Corporation of 11-8, Sumiyoshi-cho 3-chome, Anjo-shi, Aichi-ken (JP); Yasutoshi Shinma, c/o Makita Corporation of 11-8, Sumiyoshi-cho 3-chome, Anjo-shi, Aichi-ken (JP); Junichi Iwakami, c/o Makita Corporation of 11-8, Sumiyoshi-cho 3-chome, Anjo-shi, Aichi-ken (JP)**

D389,132 S \* 6/1997 Mtsunaga et al. .... D8/69  
D386,379 S \* 11/1997 Kasuya ..... D8/69  
D395,586 S \* 6/1998 Arakawa et al. .... D8/69  
D466,780 S \* 12/2002 Stirn ..... D8/69  
D474,092 S \* 5/2003 Stirn ..... D8/69  
D503,078 S \* 3/2005 Sakai et al. .... D8/69  
6,923,271 B1 \* 8/2005 Frauhammer et al. .... 173/178  
D509,120 S \* 9/2005 Okuda et al. .... D8/69  
2002/0021947 A1 \* 2/2002 Hofmann et al. .... 408/241 R  
2005/0034883 A1 \* 2/2005 Yamada et al. .... 173/217  
2005/0205277 A1 \* 9/2005 Wu ..... 173/217

(\*\*) **Term:** **14 Years**

(21) **Appl. No.:** **29/228,481**

(22) **Filed:** **Apr. 25, 2005**

**FOREIGN PATENT DOCUMENTS**

GB 2077130 S \* 2/1998  
GB 2088161 S \* 11/1999  
GB 3001470 S \* 2/2002  
GB 3009340 S \* 12/2002  
GB 3011902 S \* 3/2003

**Related U.S. Application Data**

(62) Division of application No. 29/219,108, filed on Dec. 14, 2004.

(30) **Foreign Application Priority Data**

Jun. 17, 2004 (JP) ..... 2004-18122  
Jun. 17, 2004 (JP) ..... 2004-18123  
Jun. 17, 2004 (JP) ..... 2004-18129

(51) **LOC (8) Cl.** ..... **08-01**

(52) **U.S. Cl.** ..... **D8/69**

(58) **Field of Classification Search** ..... D8/14.1,  
D8/61, 62, 63, 64, 65, 66, 67, 68, 69, 70;  
81/57.11, 429, 464, 465, 466, 469, 489; 173/13,  
173/169, 178, 213, 217; 227/8, 114, 120,  
227/130, 136, 142; 310/50; 408/20, 124,  
408/125, 234, 241 R; 451/358

See application file for complete search history.

(56) **References Cited**

**U.S. PATENT DOCUMENTS**

1,821,436 A \* 9/1931 Holloway ..... D8/69  
D377,591 S \* 1/1997 Hattori ..... D8/68

**OTHER PUBLICATIONS**

U.S. Appl. No. 29/228,479, filed Apr. 25, 2005, Hayakawa et al.

\* cited by examiner

*Primary Examiner*—Gary D. Watson  
*Assistant Examiner*—T. Chase Nelson

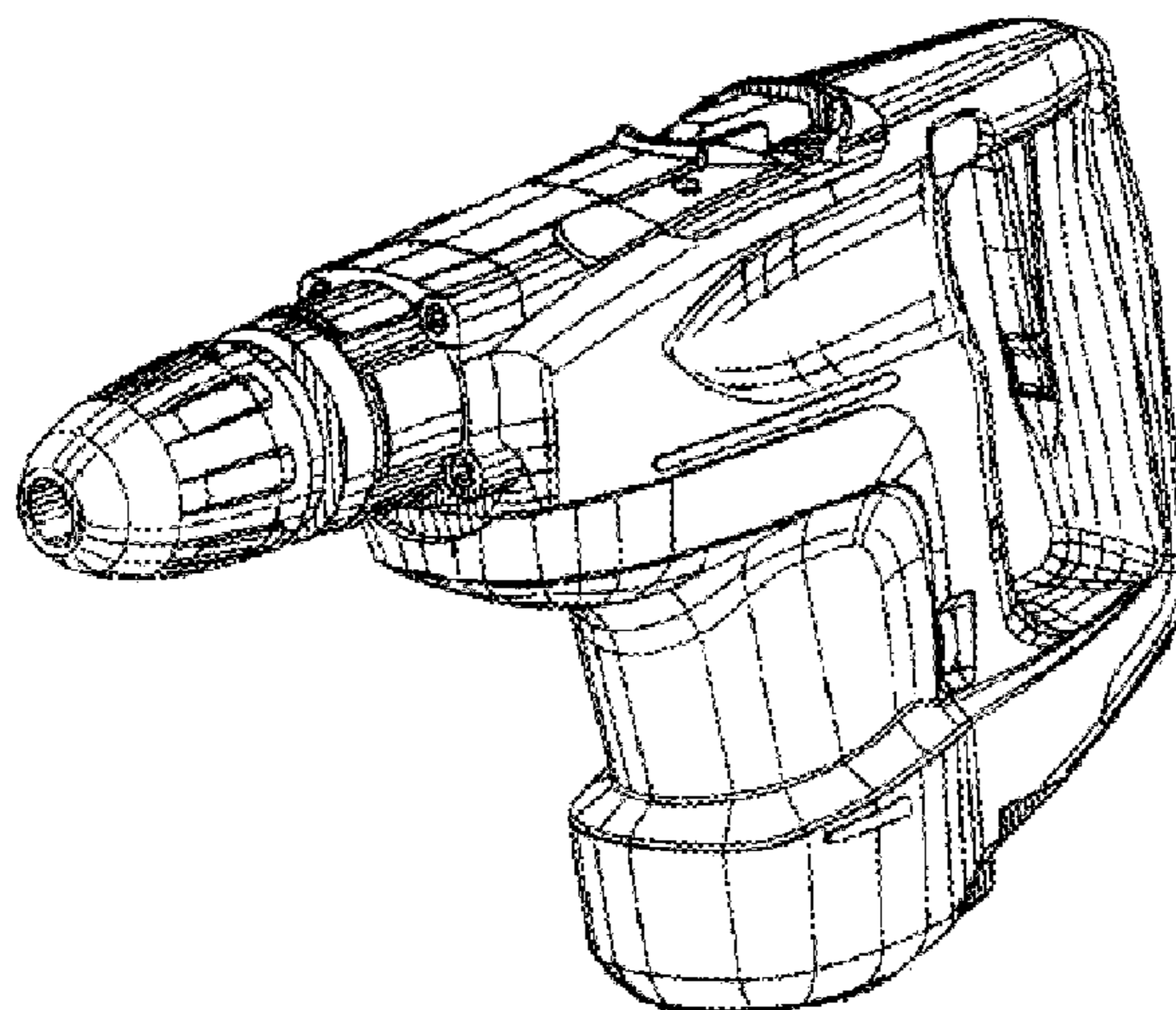
(57) **CLAIM**

The ornamental design for a portable electric hammer drill, as shown and described.

**DESCRIPTION**

FIG. 1 is a perspective view of a portable electric hammer drill showing our new design;  
FIG. 2 is a front elevational view thereof;  
FIG. 3 is a rear elevational view thereof;  
FIG. 4 is a left side elevational view thereof;  
FIG. 5 is a right side elevational view thereof;  
FIG. 6 is a top plan view thereof; and,  
FIG. 7 is a bottom plan view thereof.

**1 Claim, 5 Drawing Sheets**





U.S. Patent

Aug. 1, 2006

Sheet 1 of 5

D525,849 S

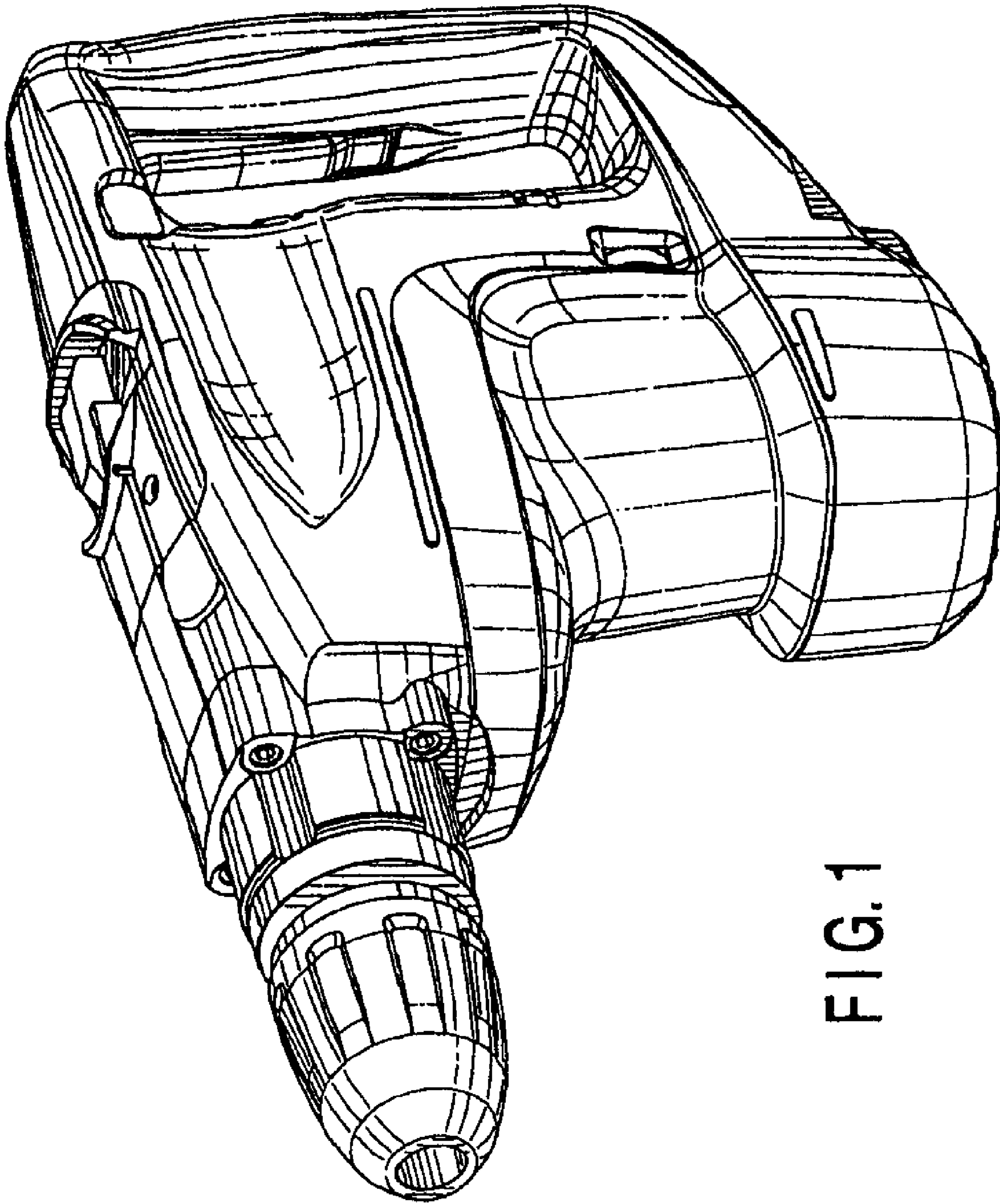


FIG. 1

U.S. Patent

Aug. 1, 2006

Sheet 2 of 5

D525,849 S

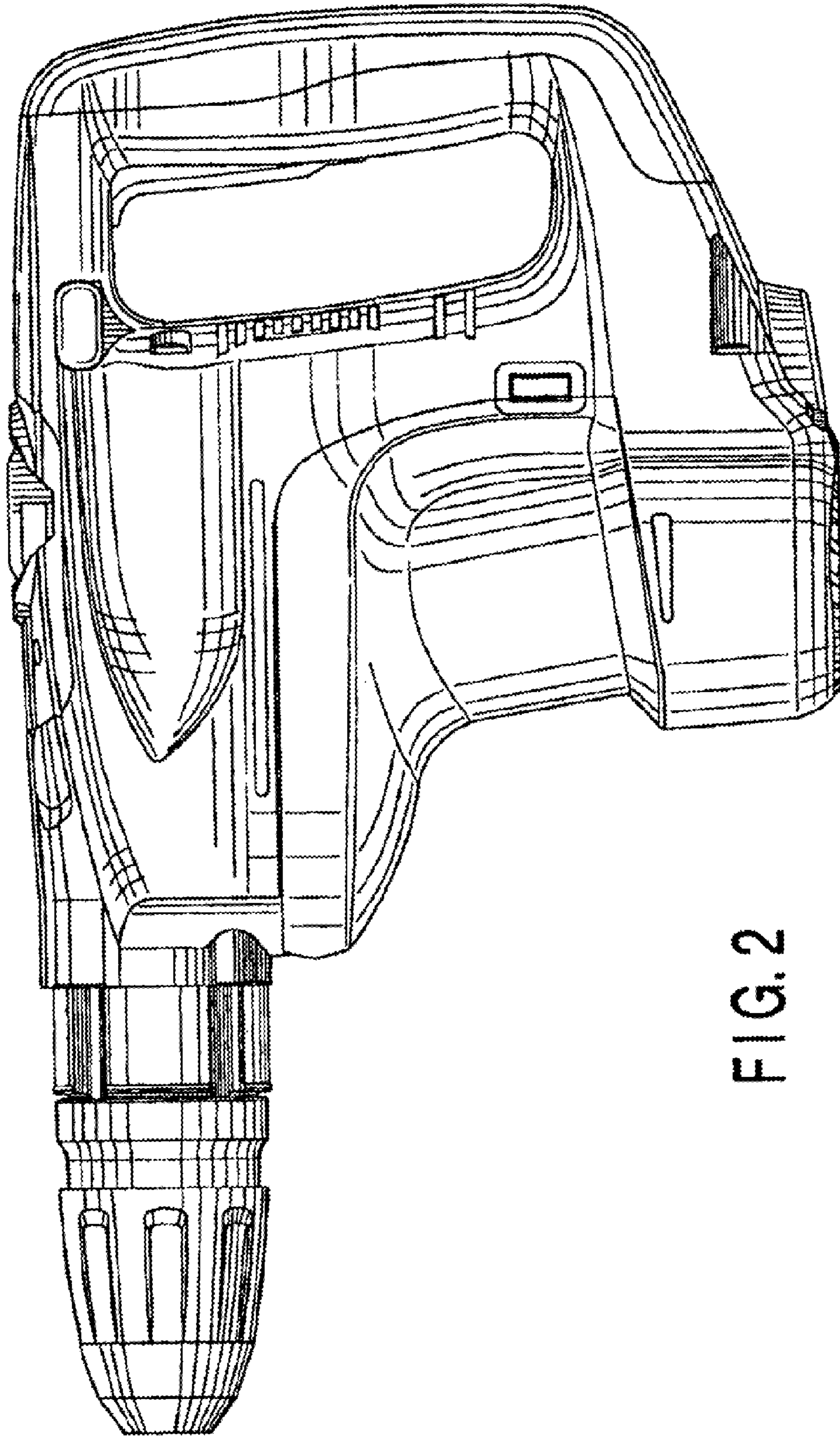


FIG. 2

U.S. Patent

Aug. 1, 2006

Sheet 3 of 5

D525,849 S

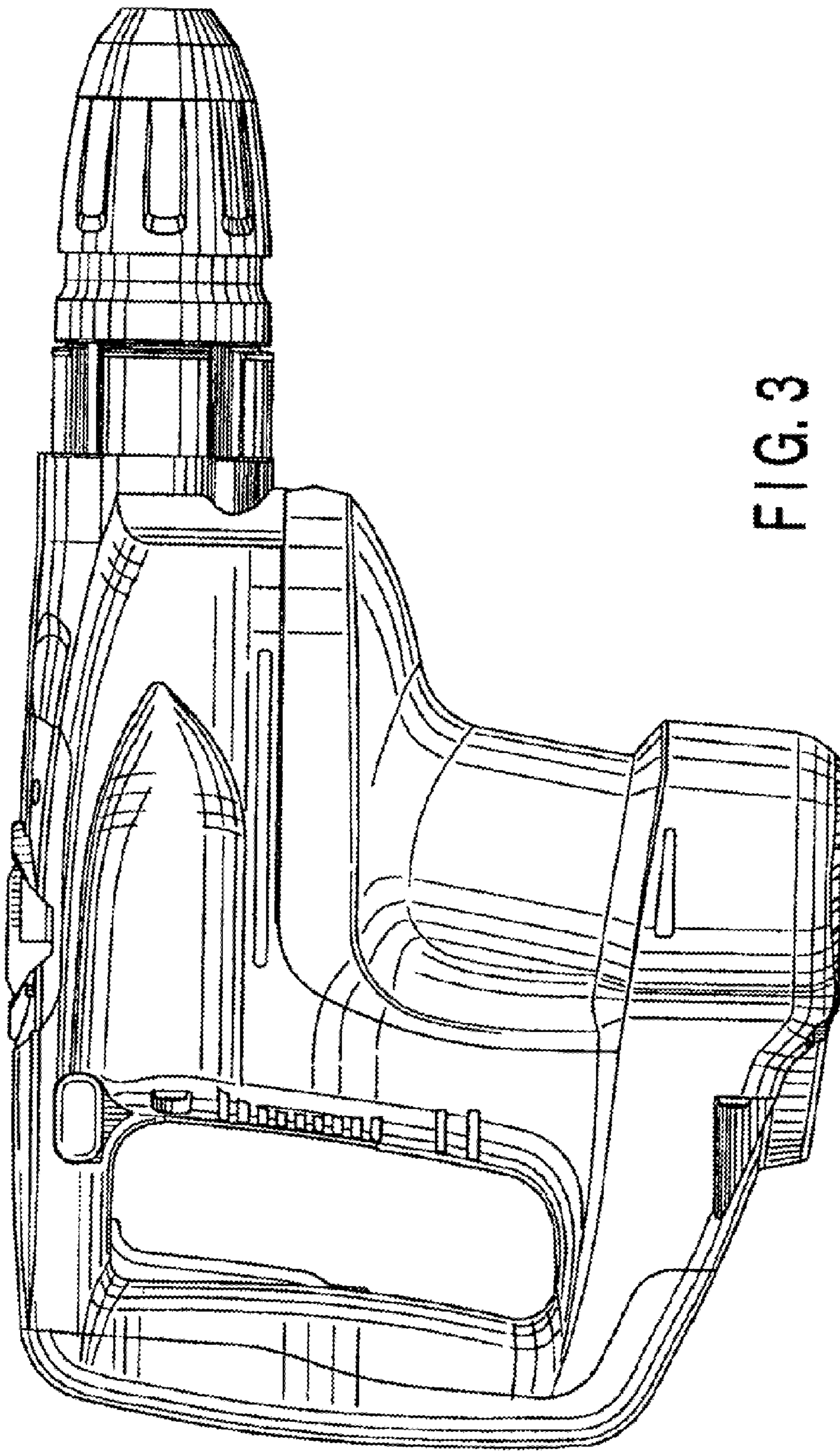


FIG. 3



U.S. Patent

Aug. 1, 2006

Sheet 4 of 5

D525,849 S

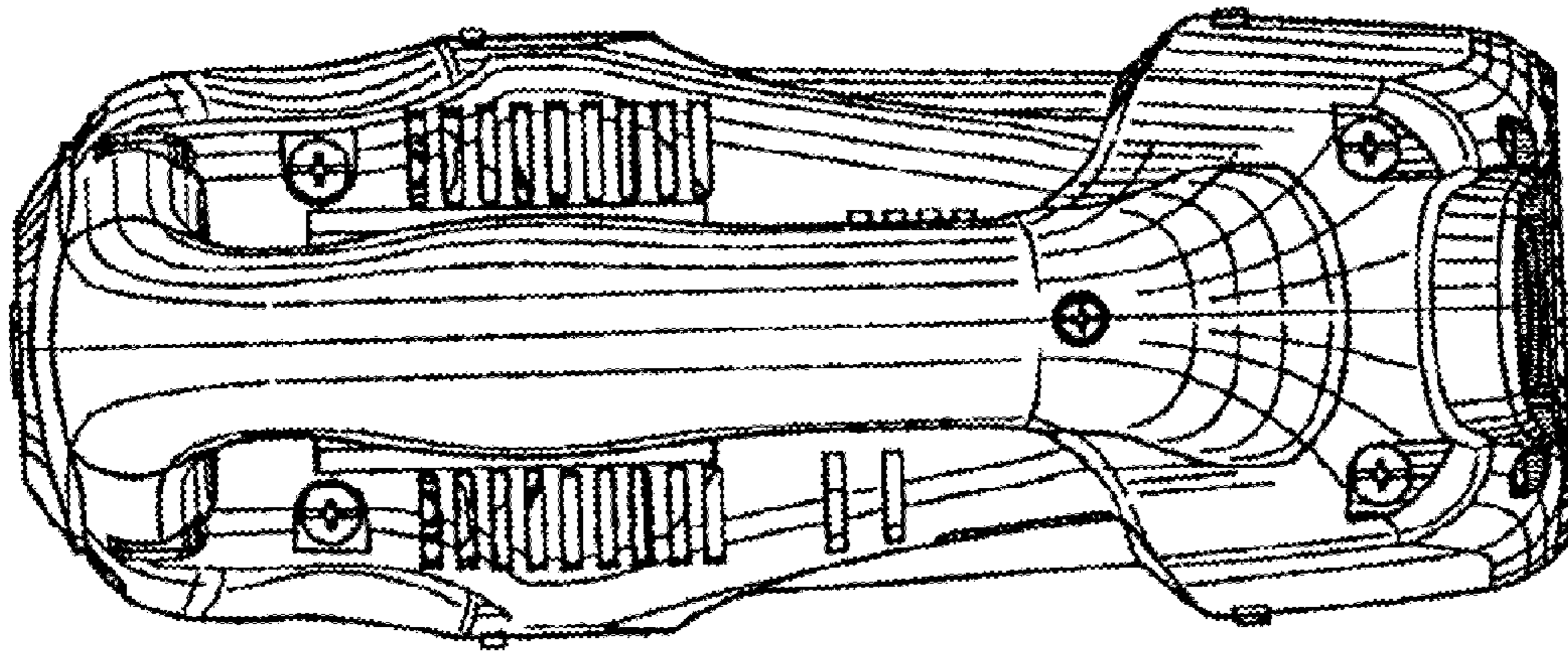


FIG. 5

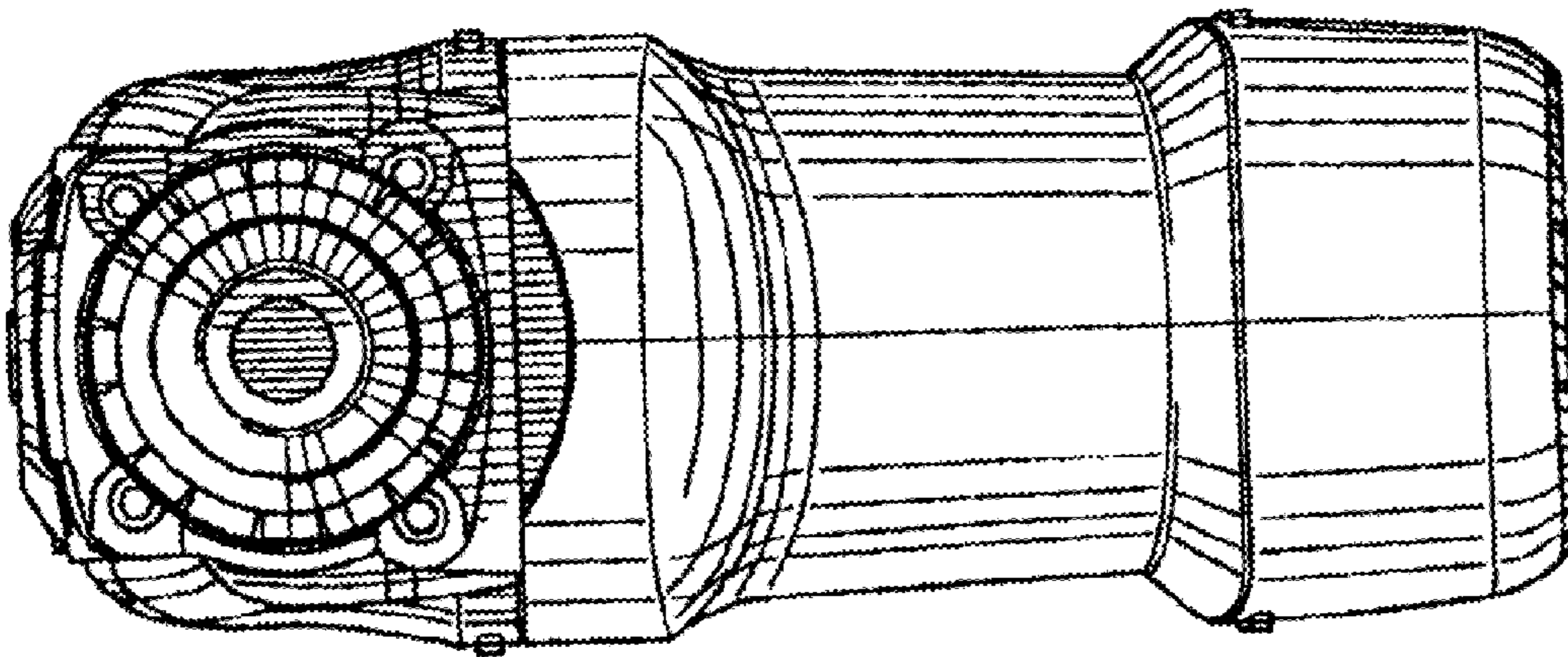


FIG. 4

FIG. 6

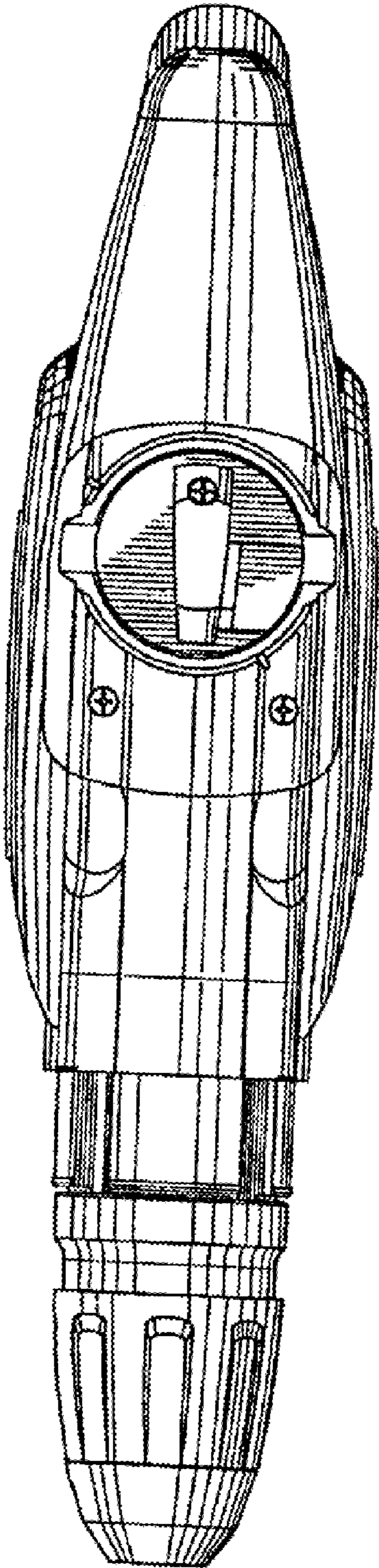


FIG. 7

