



US00D525847S

(12) **United States Design Patent** (10) **Patent No.:** **US D525,847 S**  
**Feldmann et al.** (45) **Date of Patent:** **\*\* Aug. 1, 2006**

(54) **PORTION OF AN ELECTRIC DRILL**

(75) Inventors: **William Mark Feldmann**, Fairfield, OH (US); **Berlie E. Parks**, Lawrenceburg, IN (US); **Kyle W. Harris**, Orchard Park, NY (US)

(73) Assignee: **Campbell Hauseld/Scott Fetzer Company**, Harrison, OH (US)

(\*\*) Term: **14 Years**

(21) Appl. No.: **29/226,712**

(22) Filed: **Mar. 31, 2005**

(51) **LOC (8) Cl.** ..... **08-01**

(52) **U.S. Cl.** ..... **D8/68; D8/70**

(58) **Field of Classification Search** ..... D8/14.1, D8/61, 62, 63, 64, 65, 66, 67, 68, 69, 70; 81/57.11, 429, 464, 465, 466, 469, 489; 173/13, 173/169, 178, 213, 217, 114, 201, 211; 227/8, 227/114, 120, 130, 136, 142; 408/20, 124, 408/125, 234, 241 R; 451/358; 310/50

See application file for complete search history.

D411,947 S 7/1999 Sugimoto  
 5,954,458 A 9/1999 Lee  
 D435,414 S \* 12/2000 Etter et al. .... D8/68  
 6,308,378 B1 \* 10/2001 Mooty et al. .... 81/489  
 6,364,580 B1 4/2002 Dils  
 D467,483 S 12/2002 Heun  
 D467,781 S \* 12/2002 Kunz et al. .... D8/68  
 D469,675 S 2/2003 Chung  
 6,517,295 B1 2/2003 Lin  
 D471,419 S 3/2003 Chunn  
 6,552,904 B1 \* 4/2003 Fung ..... 173/217  
 D479,453 S \* 9/2003 Lind et al. .... D8/64  
 6,656,626 B1 \* 12/2003 Mooty et al. .... 429/99  
 D489,955 S 5/2004 Concari  
 6,729,414 B1 5/2004 Cooper  
 D502,376 S \* 3/2005 Andriolo ..... D8/68  
 6,860,342 B1 \* 3/2005 Wu et al. .... 173/217  
 2001/0048855 A1 1/2001 Lin  
 2003/0147709 A1 8/2003 Hara

OTHER PUBLICATIONS

Printout from a webpage at www.amazon.com entitled "Black & Decker CD431K 12 Volt FireStorm Cordless Drill Kit", one page, undated, submitted Apr. 18, 2005.

\* cited by examiner

Primary Examiner—Gary D. Watson  
Assistant Examiner—T. Chase Nelson

(56) **References Cited**

U.S. PATENT DOCUMENTS

4,508,221 A 4/1985 Olson  
 D279,075 S \* 6/1985 Nuesse et al. .... D8/68  
 4,564,322 A 1/1986 Stapley  
 D297,299 S \* 8/1988 Krause ..... D8/68  
 4,797,040 A 1/1989 Hibbard  
 D301,968 S \* 7/1989 Kmetz ..... D8/68  
 4,954,026 A 9/1990 Zurwelle  
 4,973,205 A 11/1990 Spaulding  
 5,130,659 A 7/1992 Sloan  
 5,533,843 A 7/1996 Chung  
 D377,590 S \* 1/1997 Lai ..... D8/68  
 D379,910 S \* 6/1997 Hannen et al. .... D8/68  
 D386,662 S 11/1997 Tozawa  
 D389,384 S 1/1998 Lui  
 D396,789 S \* 8/1998 Murray ..... D8/68  
 5,810,525 A 9/1998 Ector  
 D403,936 S \* 1/1999 Somers ..... D8/68  
 D409,467 S 5/1999 Chung

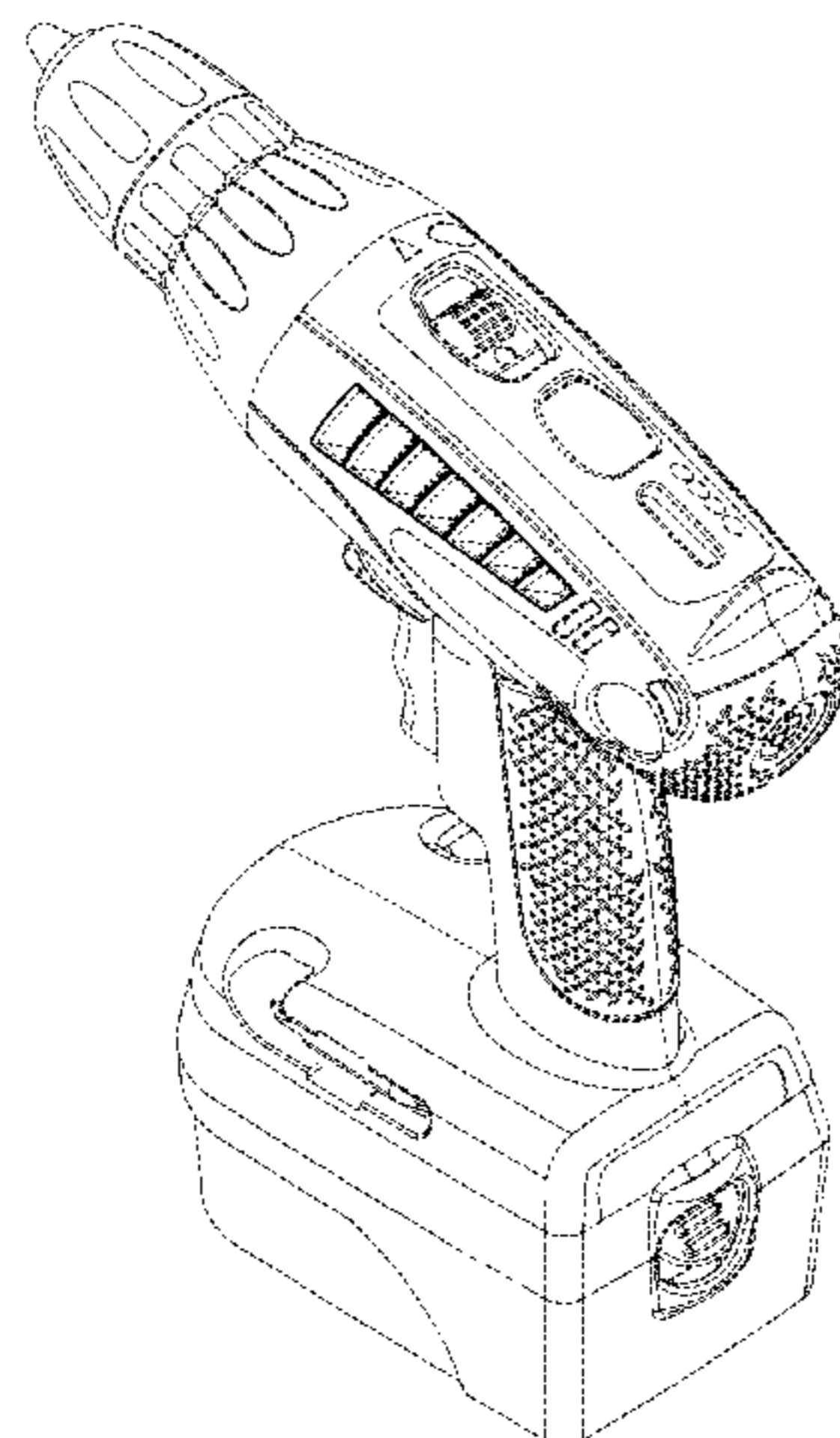
(57) **CLAIM**

The ornamental design for a portion of an electric drill, as shown and described.

**DESCRIPTION**

FIG. 1 is a perspective view of the portion of an electric drill embodying the ornamental design of the present invention; FIG. 2 is a side view of the portion of an electric drill; FIG. 3 is an opposite side view of the portion of an electric drill; FIG. 4 is a rear view of the portion of an electric drill; and, FIG. 5 is a top view of the portion of an electric drill. The broken lines in FIGS. 1–5 are for illustrative purposes only and form no part of the claimed design.

**1 Claim, 5 Drawing Sheets**



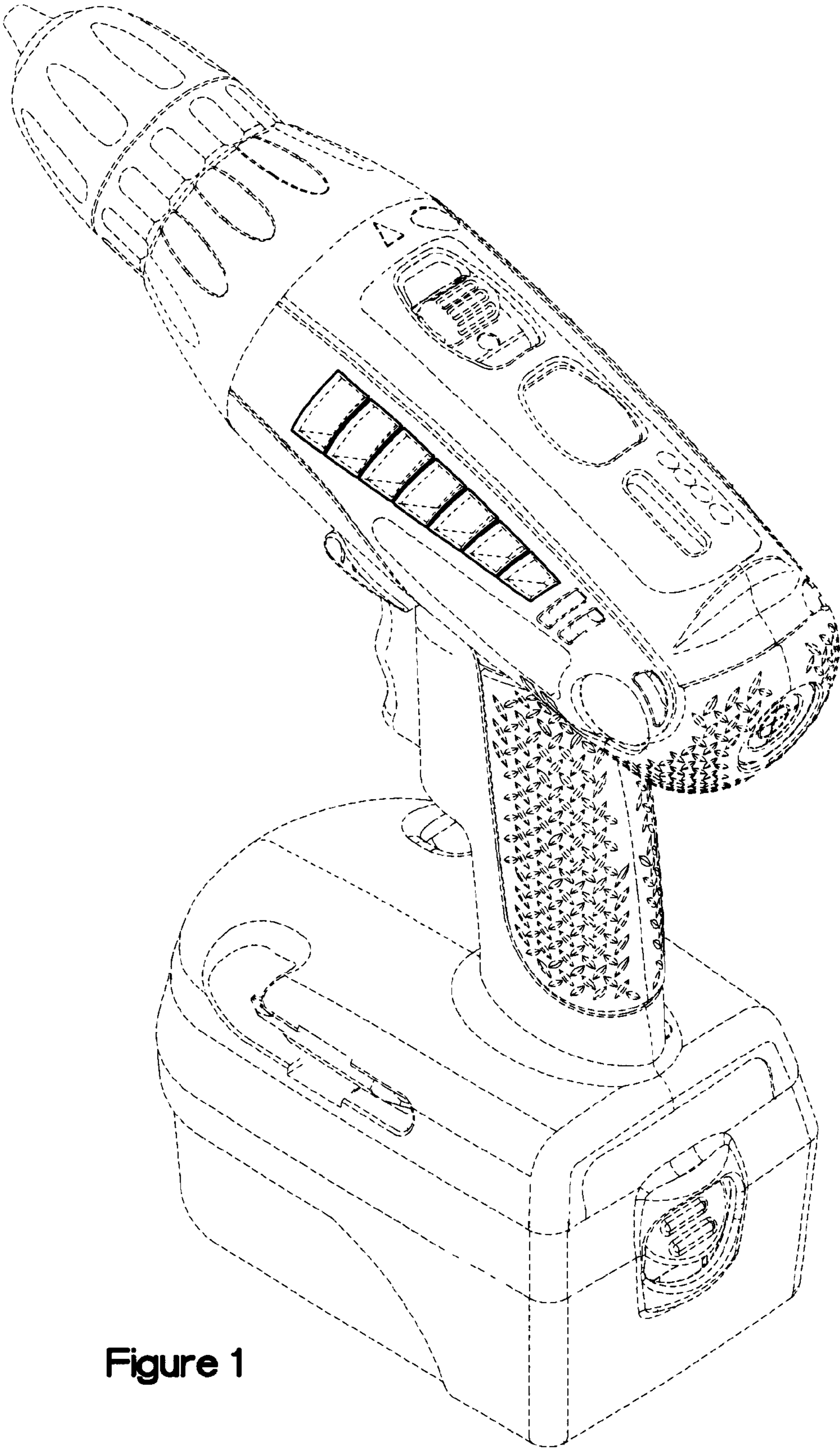


Figure 1

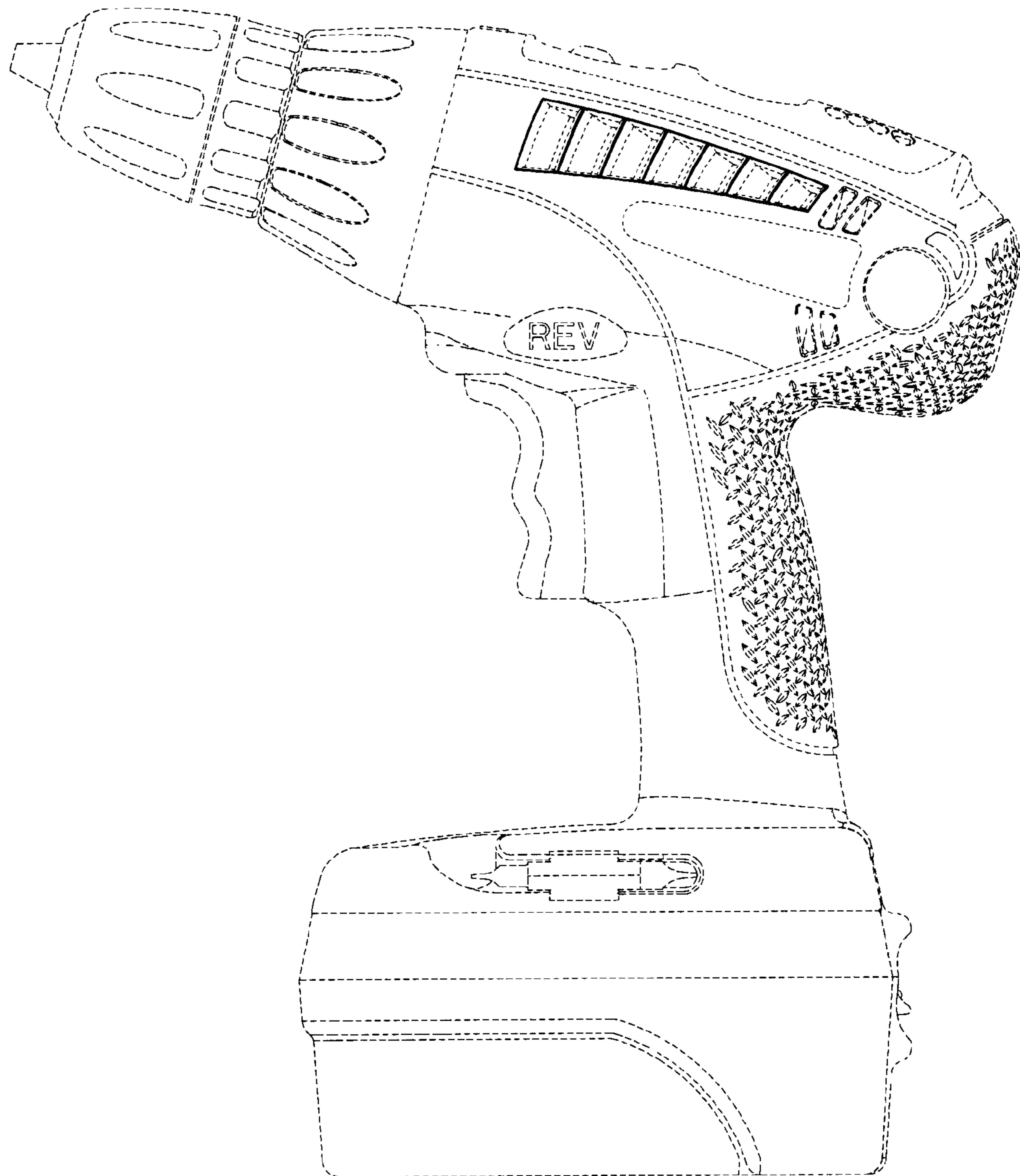


Figure 2

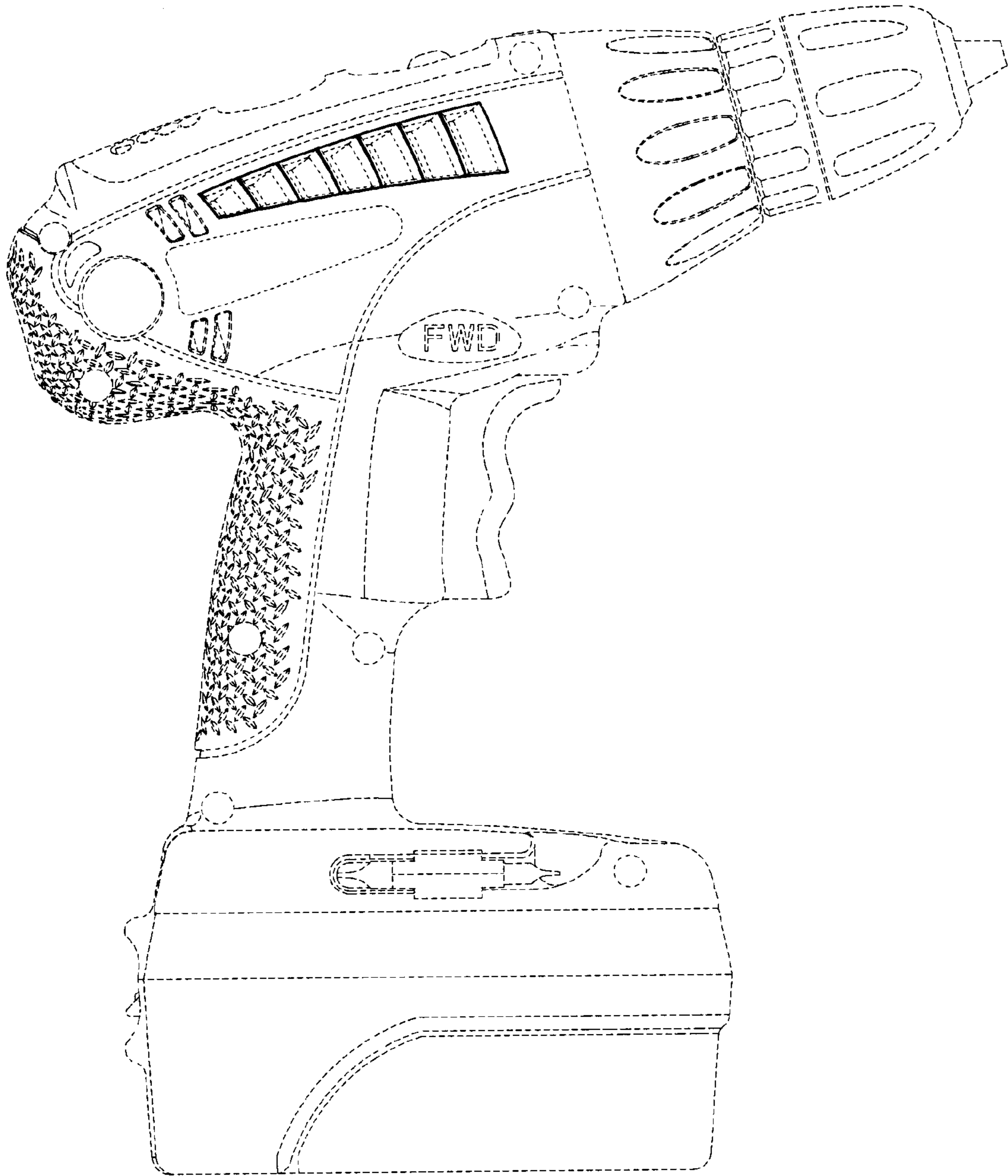


Figure 3

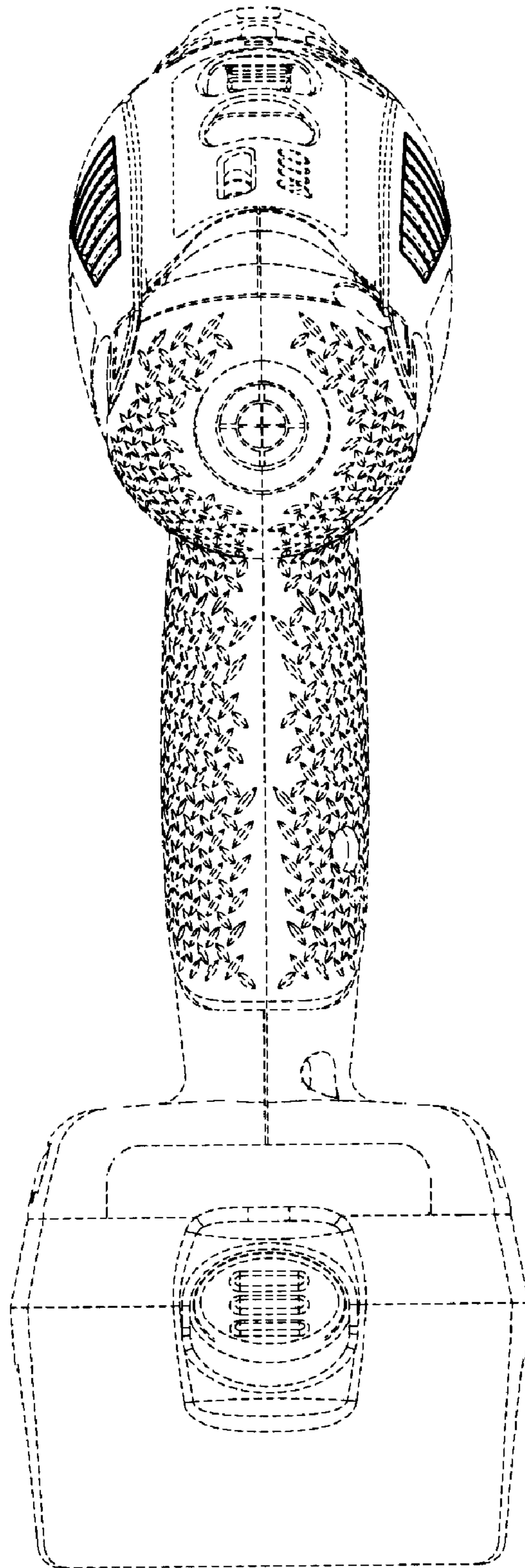


Figure 4

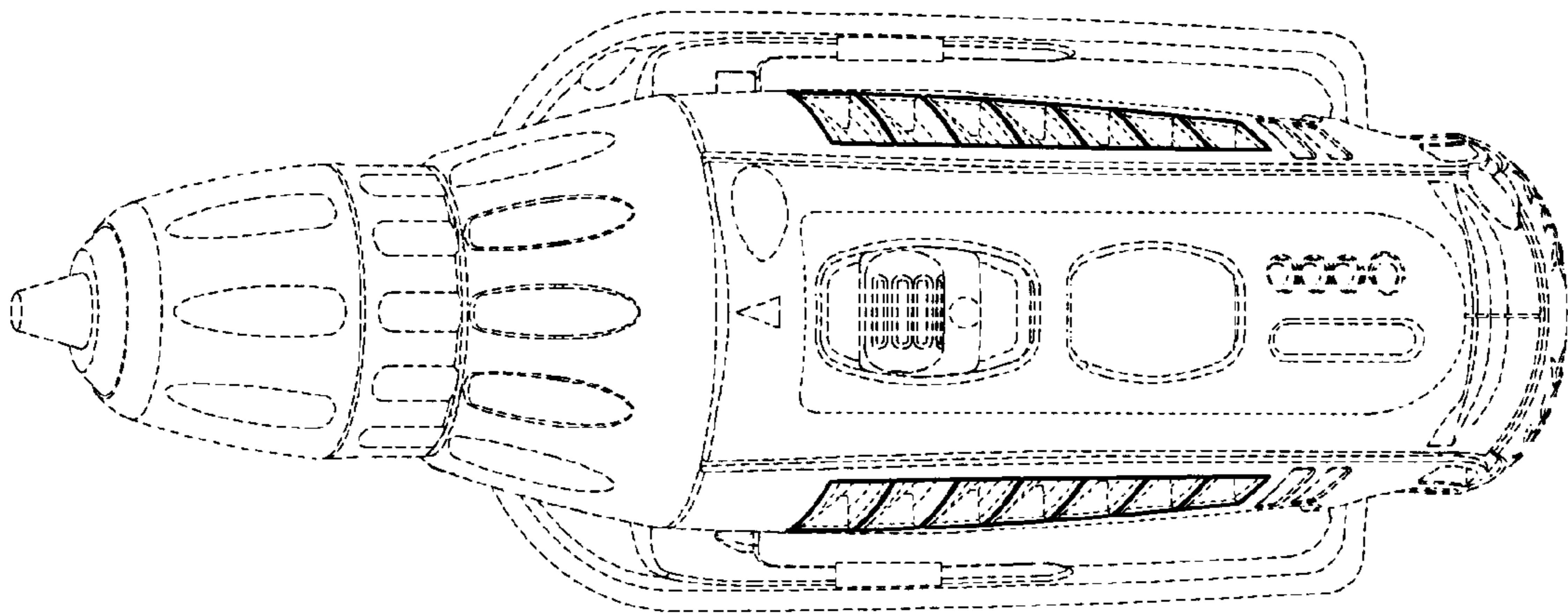


Figure 5