



US00D525846S

(12) **United States Design Patent**
Corcoran

(10) **Patent No.:** **US D525,846 S**

(45) **Date of Patent:** **** Aug. 1, 2006**

(54) **SCREWDRIVER**

(75) Inventor: **Michael Corcoran**, Hexam (GB)

(73) Assignee: **Black & Decker Inc.**, Newark, DE (US)

(**) Term: **14 Years**

(21) Appl. No.: **29/222,142**

(22) Filed: **Jan. 26, 2005**

(30) **Foreign Application Priority Data**

Jul. 29, 2004 (EM) 000207204-0001

(51) **LOC (8) Cl.** **08-04**

(52) **U.S. Cl.** **D8/68**

(58) **Field of Classification Search** D8/14.1,
D8/61, 62, 63, 64, 65, 66, 67, 68, 69, 70;
81/57.11, 429, 464, 465, 466, 469, 489; 173/13,
173/169, 178, 213, 217; 227/8, 114, 120,
227/130, 136, 142; 310/50; 408/20, 124,
408/125, 234, 241 R; 451/358

See application file for complete search history.

(56) **References Cited**

U.S. PATENT DOCUMENTS

D419,413 S * 1/2000 Heun D8/68
6,152,639 A * 11/2000 Hsu 408/241 R
D459,966 S * 7/2002 So D8/68
D464,858 S * 10/2002 Netzler D8/68
D464,859 S * 10/2002 Netzler D8/68
D472,781 S * 4/2003 Netzler D8/68
D477,974 S * 8/2003 Chunn et al. D8/68
D494,034 S * 8/2004 Cheung D8/68
D501,385 S * 2/2005 Cheung et al. D8/68
6,883,621 B1 * 4/2005 Lin 173/217
2004/0069512 A1 * 4/2004 Ng 173/217

FOREIGN PATENT DOCUMENTS

DE DPMA M9703272.7 9/1997
DE DPMA 49912214.3 5/2000
DE DPMA 40004019.0 8/2000
DE DPMA 40110954.2 9/2002
DE DPMA 40209997.4 4/2003

DE DPMA 40303557.0 10/2003
DE 403 04 287 1/2004
DE DPMA 40304892.3 4/2004
EP 000027776-0001 10/2003
EP 000041165-0014 3/2004
EP 000114020-0001 4/2004
EP 000114020-0002 4/2004
EP 000114020-0003 4/2004
EP 000114020-0004 4/2004
EP 000176623-0001 8/2004
FR 0387212-216 1/1995
FR 0387217-221 1/1995
FR 0387222-226 1/1995
FR 631 819-826 8/2001
FR 631 827-834 8/2001
FR 643 501-507 11/2001
FR 658 894-899 3/2002
FR 663 529-552 5/2002
FR 708 755-761 7/2003
GB 2054779 S * 3/1996
GB 2088479 S * 2/2000
GB 2102168 S * 7/2001
WO DM 037 990 1/1996
WO DM 060 942 7/2002
WO DM 053595 10/2002
WO DM 063 786 6/2003
WO DM 063 787 6/2003
WO DM 063 796 6/2003

* cited by examiner

Primary Examiner—T. Chase Nelson

(74) *Attorney, Agent, or Firm*—Bruce S. Shapiro; John Yun; Wesley W. Muller

(57) **CLAIM**

The ornamental design for a screwdriver, as shown and described.

DESCRIPTION

FIG. 1 is a right/front perspective view of a screwdriver showing my new design.

FIG. 2 is a front view thereof.

FIG. 3 is a rear view thereof.

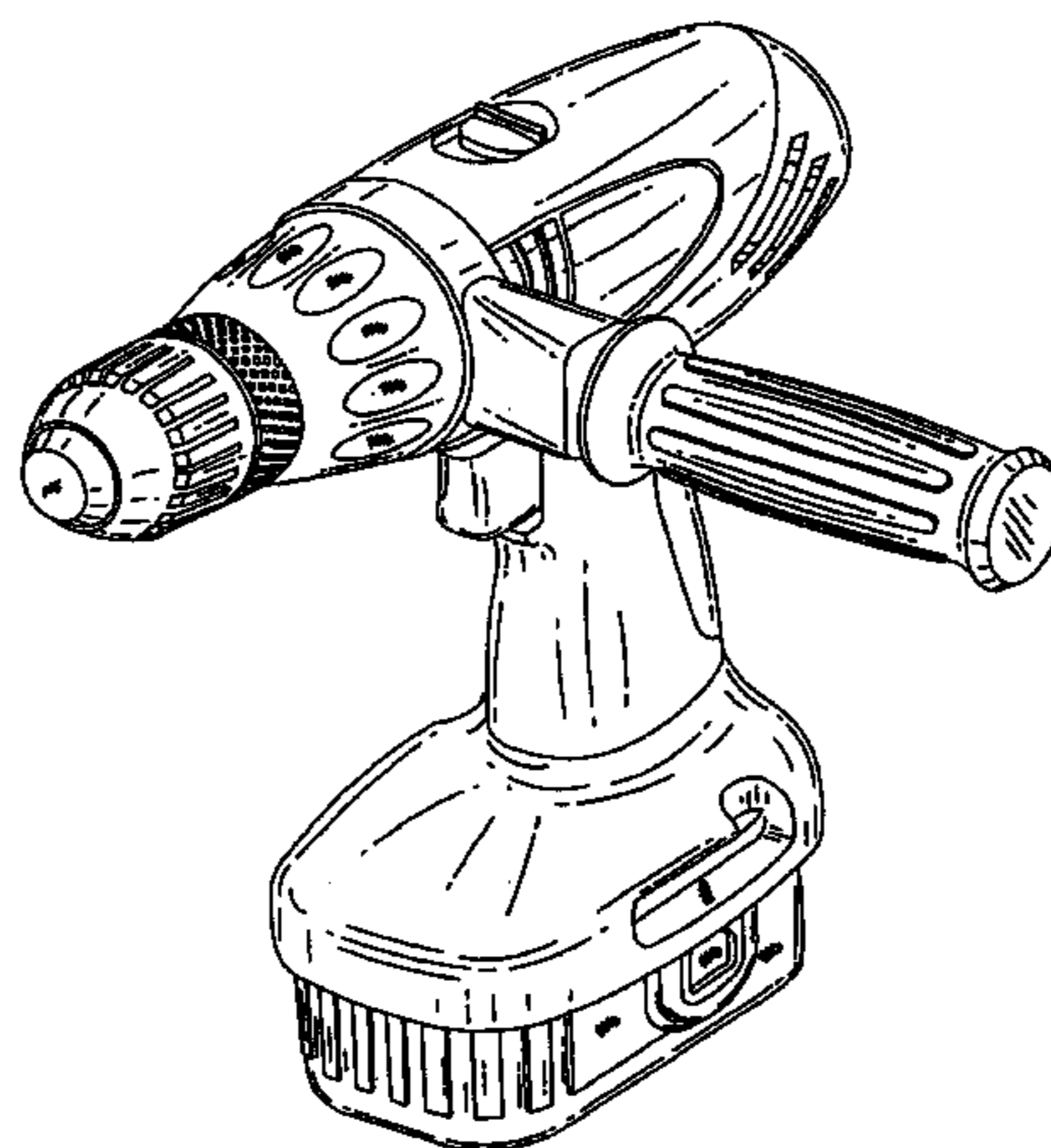
FIG. 4 is a right side view thereof.

FIG. 5 is a left side view thereof.

FIG. 6 is a top plan view thereof; and,

FIG. 7 is a bottom plan view thereof.

1 Claim, 7 Drawing Sheets



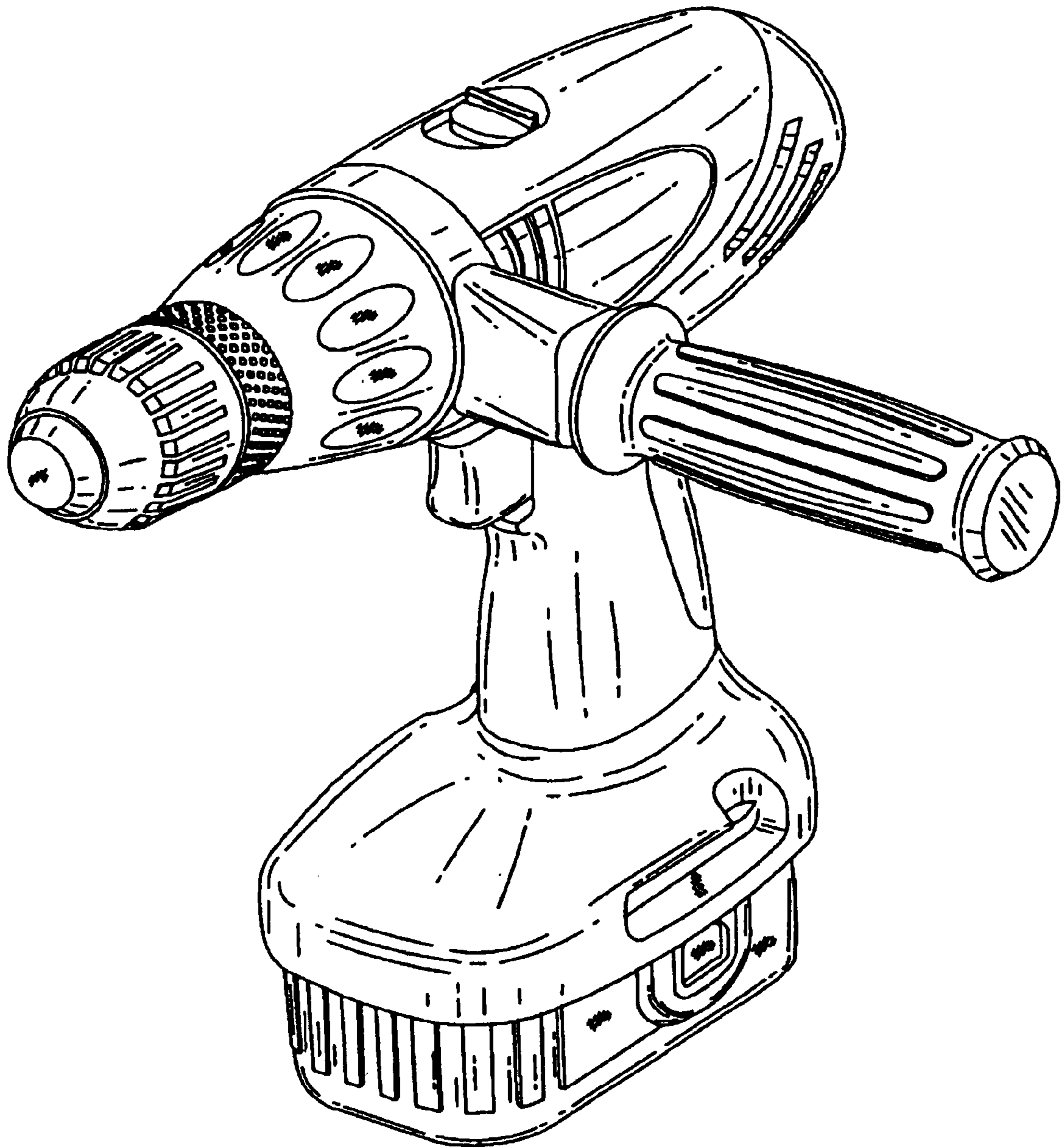


FIG. 1

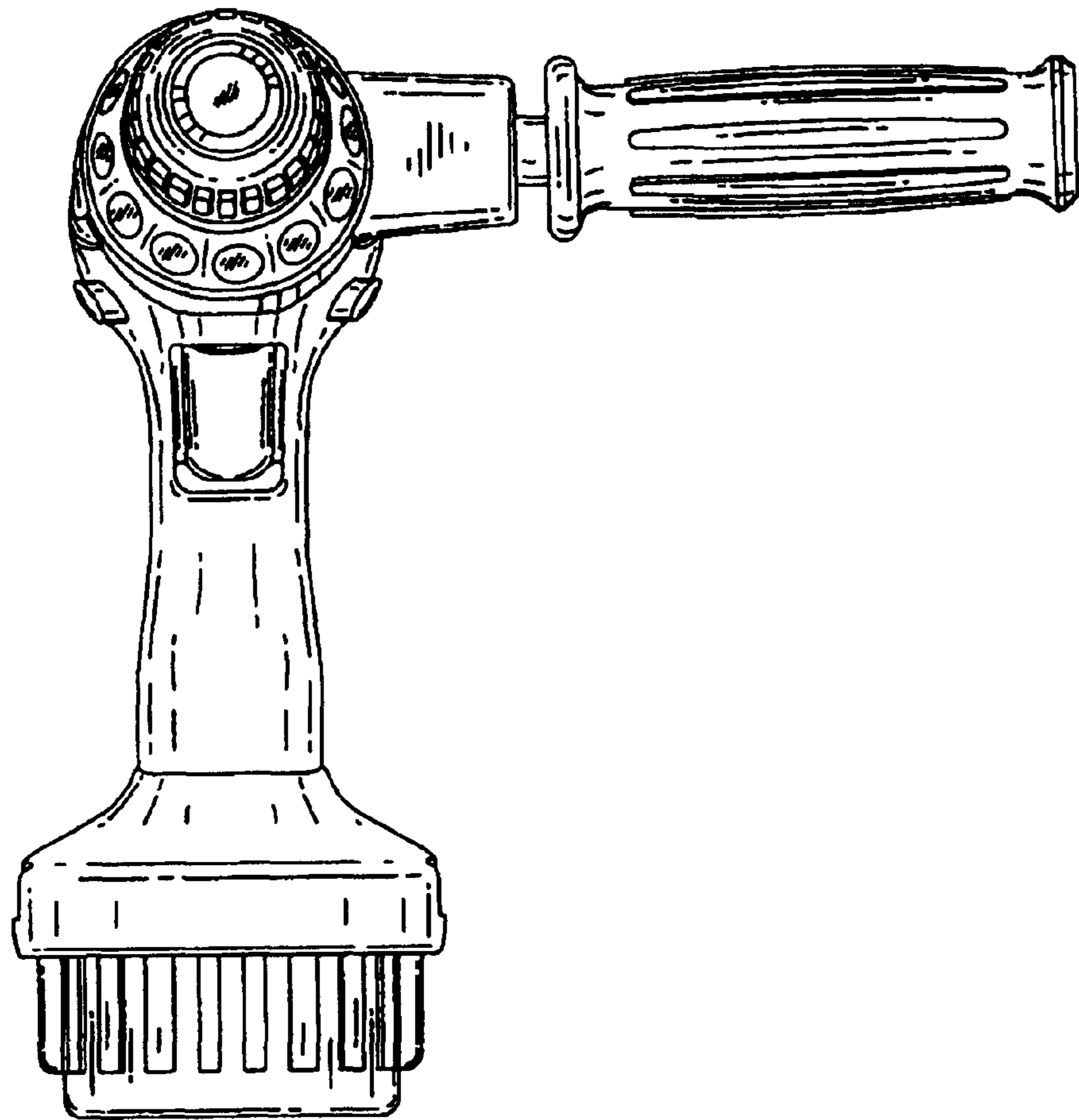


FIG.2

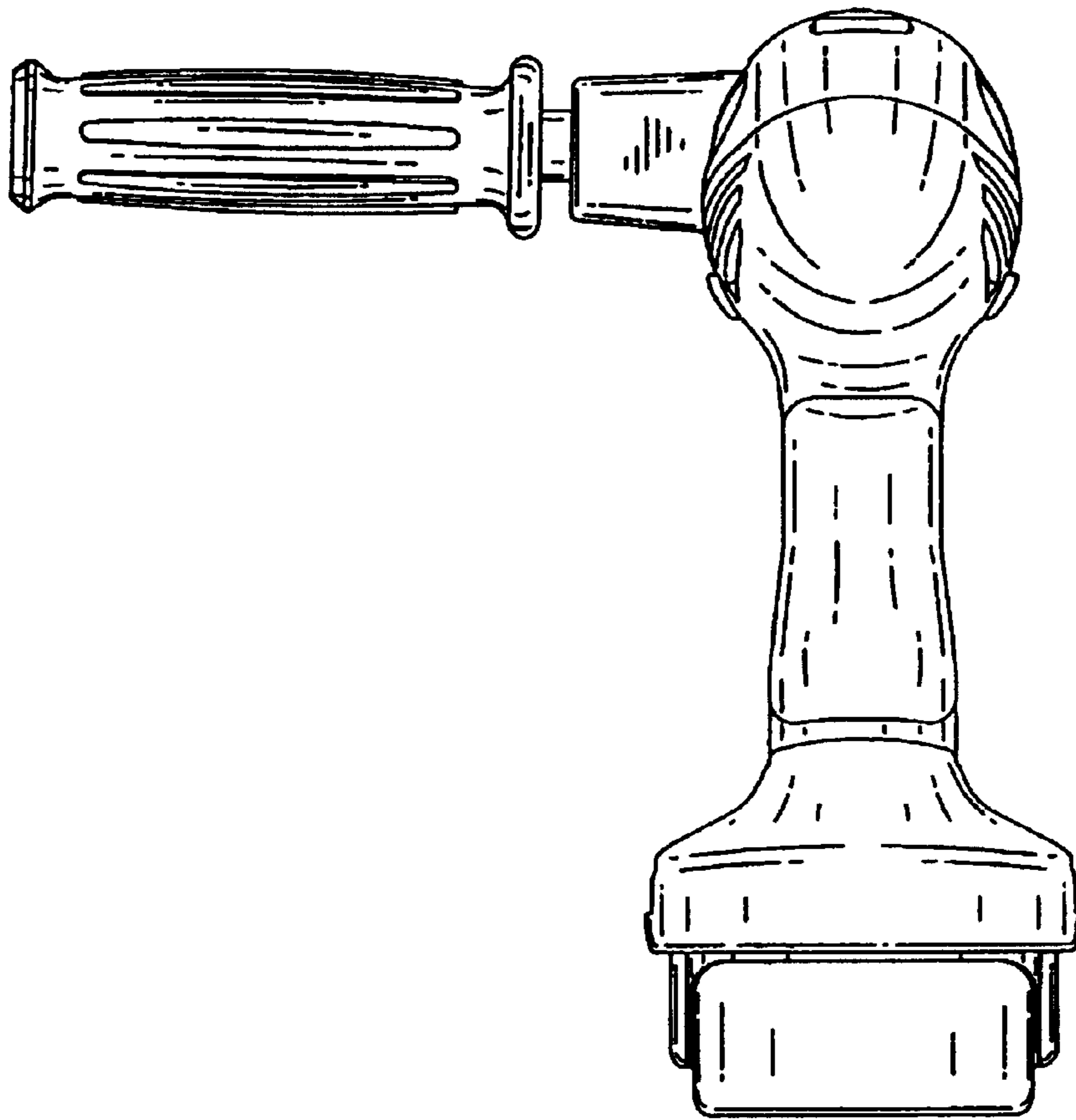


FIG.3

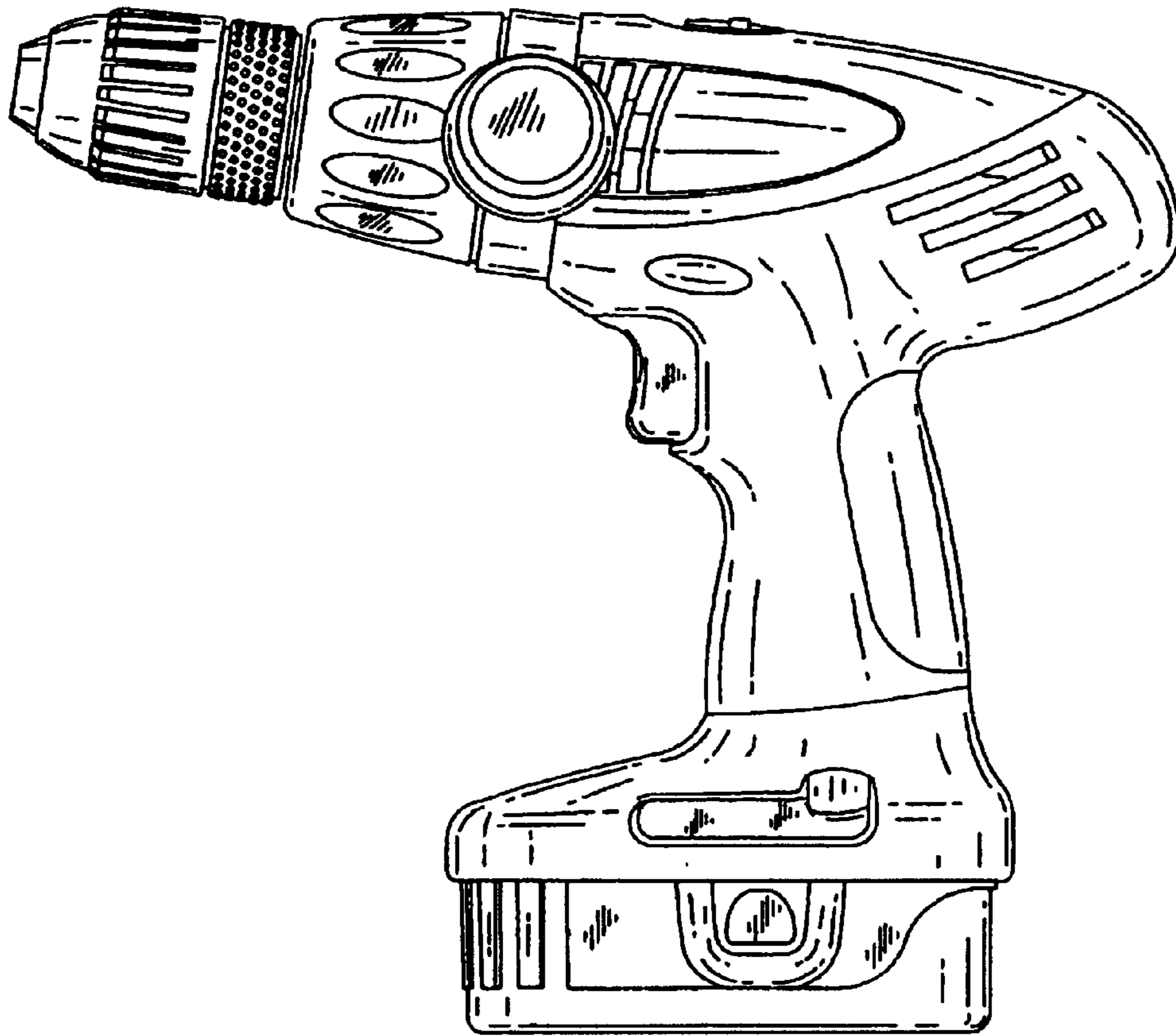


FIG.4

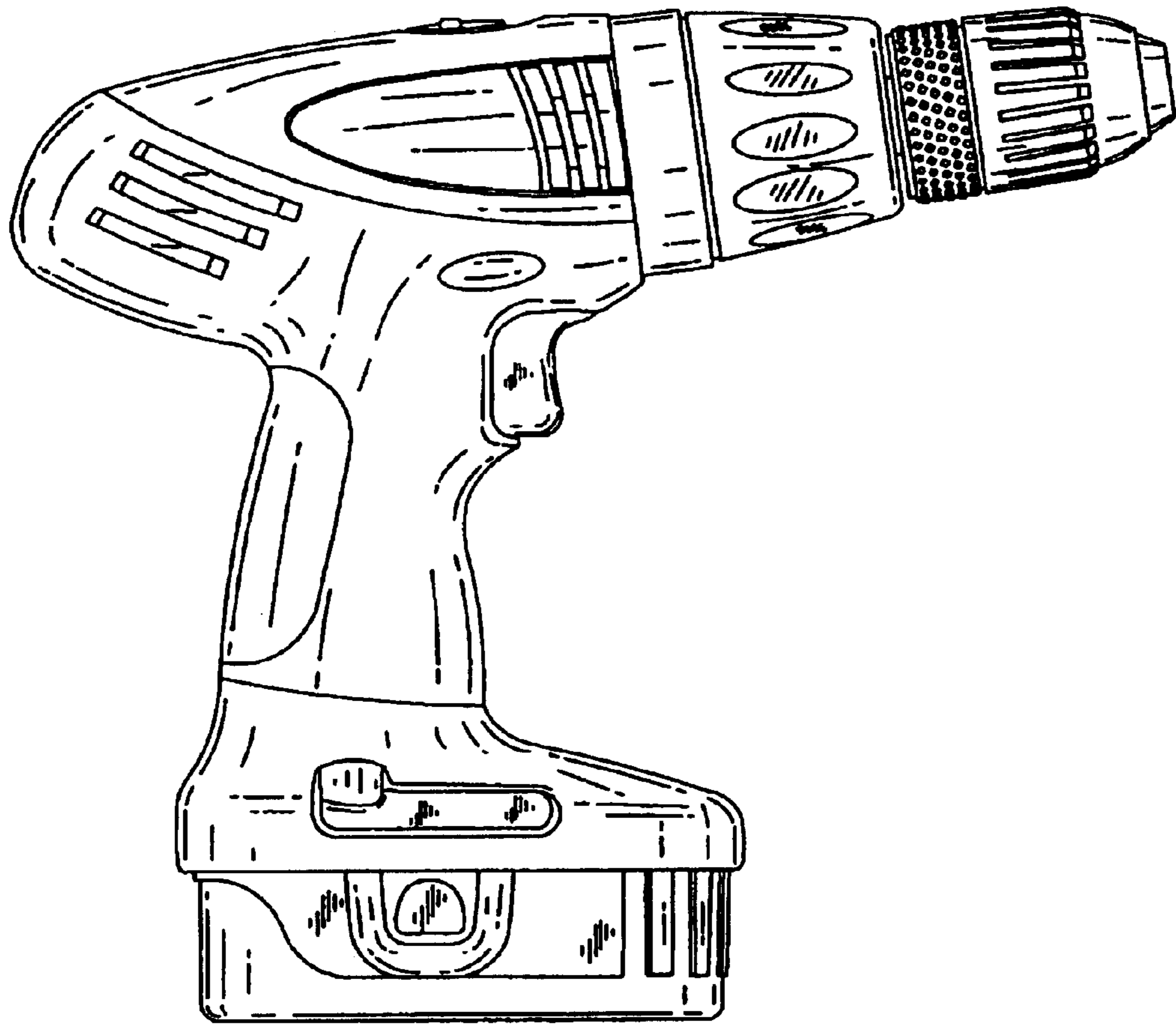


FIG.5

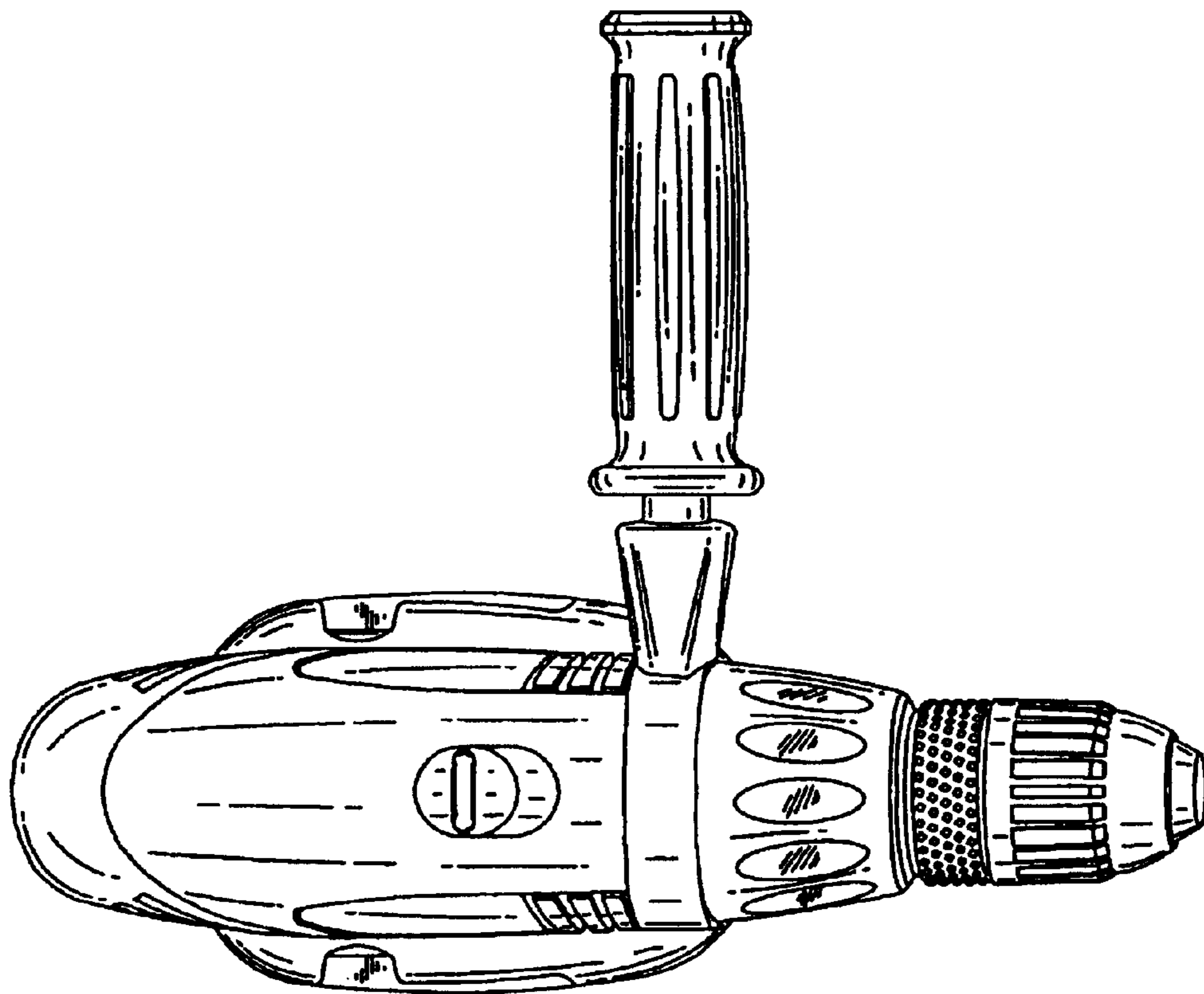


FIG.6

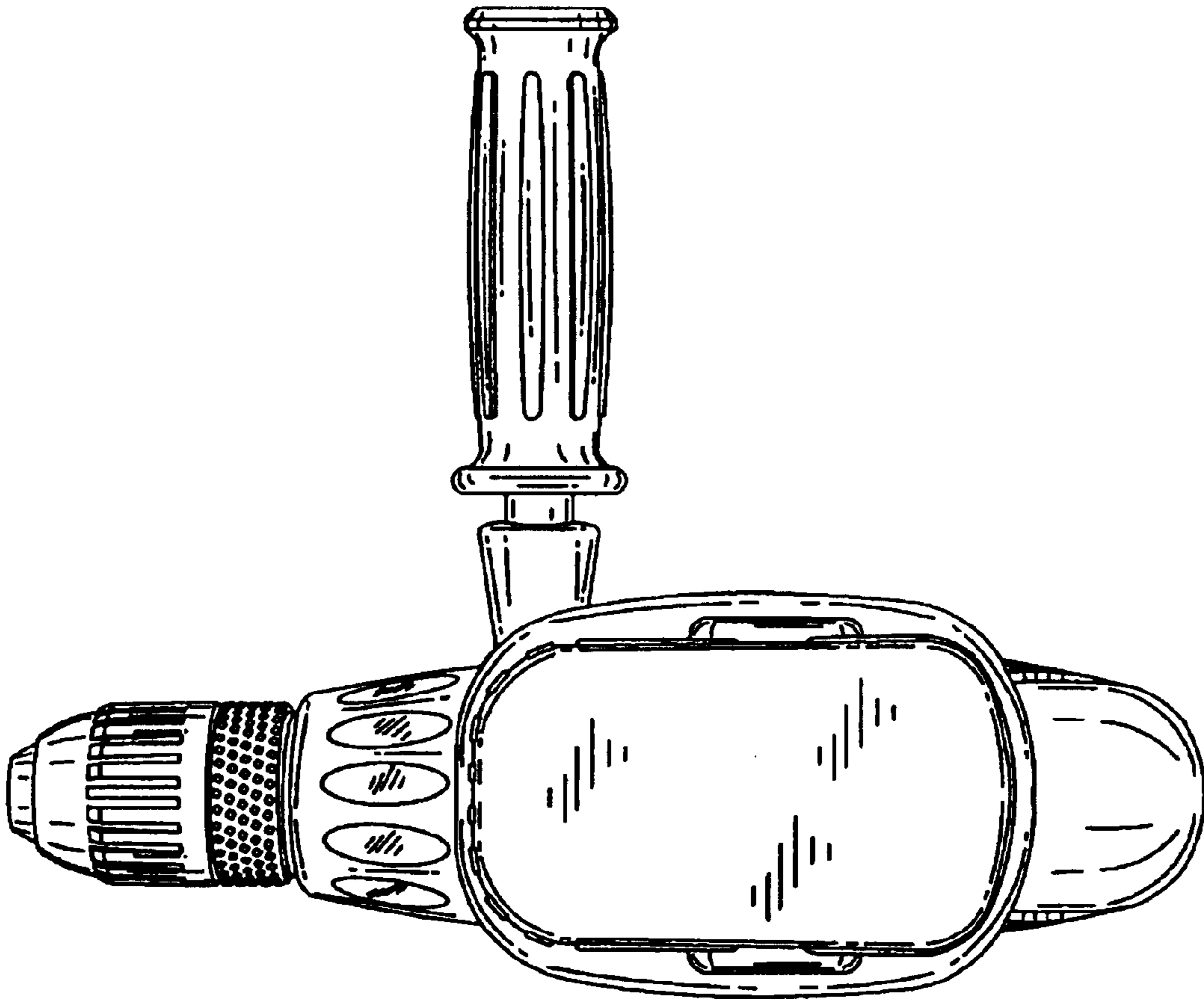


FIG.7