



US00D525845S

(12) **United States Design Patent**
Welsh

(10) **Patent No.:** **US D525,845 S**

(45) **Date of Patent:** **** Aug. 1, 2006**

- (54) **RECIPROCATING SAW**
- (75) Inventor: **Robert P. Welsh**, Hunt Valley, MD (US)
- (73) Assignee: **Black & Decker Inc.**, Newark, DE (US)
- (**) Term: **14 Years**

- D468,982 S 1/2003 Brazell et al.
- D471,417 S 3/2003 Chunn et al.
- D471,418 S 3/2003 Chunn et al.
- D471,782 S 3/2003 Keith-Lucas
- 6,536,536 B1 3/2003 Gass et al.
- D473,771 S 4/2003 Hayakawa et al.
- D474,088 S 5/2003 Chunn et al.
- 6,568,089 B1 5/2003 Popik et al.

(Continued)

- (21) Appl. No.: **29/218,239**
- (22) Filed: **Nov. 30, 2004**
- (51) **LOC (8) Cl.** **08-03**
- (52) **U.S. Cl.** **D8/64**
- (58) **Field of Classification Search** D8/69,
D8/68, 67, 66, 65, 64, 62, 61; 30/92, 394,
30/393, 392, 377, 376, 371; 74/50, 49; 173/217,
173/216; 83/699.21; 446/145
See application file for complete search history.

FOREIGN PATENT DOCUMENTS

- DE M97 07 837 8/1997
- DE MR 499 04 804 11/1998
- DE MR 499 00 927 2/1999
- DE MR 499 11 375 6/1999
- DE MR 400 07 637 5/2000
- DE MR 402 00 721 8/2001
- DE MR 401 09 686 9/2001
- DE MR 402 02 485 9/2001
- DE MR 402 02 701 9/2001
- DE MR 402 04 834 6/2002
- DE MR 403 01 818 9/2002

(56) **References Cited**

U.S. PATENT DOCUMENTS

- D202,255 S 9/1965 Romain et al.
- D292,368 S 10/1987 Mikiya
- D322,921 S 1/1992 Bosten et al.
- D329,794 S 9/1992 Graham
- D339,510 S 9/1993 Sakamoto
- D401,128 S 11/1998 Zurwelle
- D408,699 S 4/1999 Zurwelle
- D409,468 S 5/1999 Uchida et al.
- D415,100 S 10/1999 Buck
- D416,180 S 11/1999 Sakai et al.
- D428,786 S 8/2000 Hayakawa et al.
- D434,627 S 12/2000 Buck
- 6,189,217 B1 2/2001 Melvin et al.
- D440,849 S 4/2001 Sakai et al.
- D440,851 S 4/2001 Sakai et al.
- 6,272,757 B1 8/2001 Roe
- D447,924 S 9/2001 Neitzell et al.
- 6,286,217 B1 9/2001 Dassoulas
- 6,286,609 B1 9/2001 Carrier et al.
- 6,296,065 B1 * 10/2001 Carrier 173/217
- D456,233 S 4/2002 Main
- 6,484,409 B1 * 11/2002 Campbell et al. 30/371

Primary Examiner—Cathron C. Brooks

Assistant Examiner—Austin Murphy

(74) *Attorney, Agent, or Firm*—Michael P. Leary; Charles E. Yocum; Adan Ayala

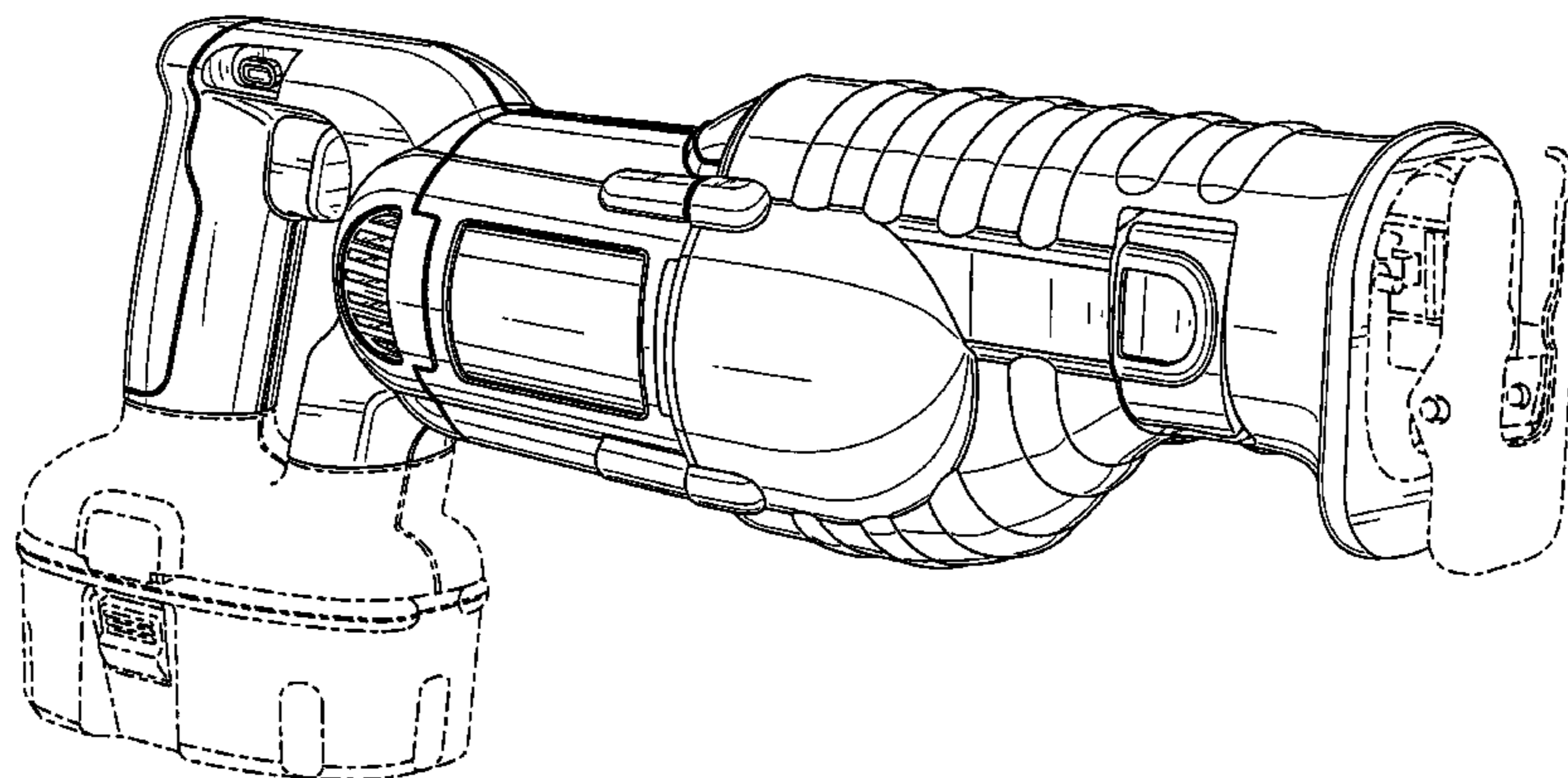
(57) **CLAIM**

The ornamental design for a reciprocating saw, as shown and described.

DESCRIPTION

FIG. 1 is a right/front perspective view of a reciprocating saw showing my new design.
 FIG. 2 is a front view thereof.
 FIG. 3 is a rear view thereof.
 FIG. 4 is a right side view thereof.
 FIG. 5 is a left side view thereof.
 FIG. 6 is a top view thereof; and,
 FIG. 7 is a bottom view thereof.
 The broken lines are for illustrative purposes only and form no part of the invention.

1 Claim, 6 Drawing Sheets



US D525,845 S

Page 2

U.S. PATENT DOCUMENTS				
		2004/0255475	A1 * 12/2004	Hirabayashi et al. 30/392
		2005/0022395	A1 * 2/2005	Hirabayashi 30/392
		2005/0257382	A1 * 11/2005	Lui et al. 30/392
		2005/0267776	A1 * 12/2005	Selby et al. 705/1
D479,453	S	9/2003	Lind et al.	
D480,616	S	10/2003	Welsh	
D500,651	S	* 1/2005	Andriolo	D8/64
2004/0098870	A1	* 5/2004	Nemazi et al.	30/392
				* cited by examiner

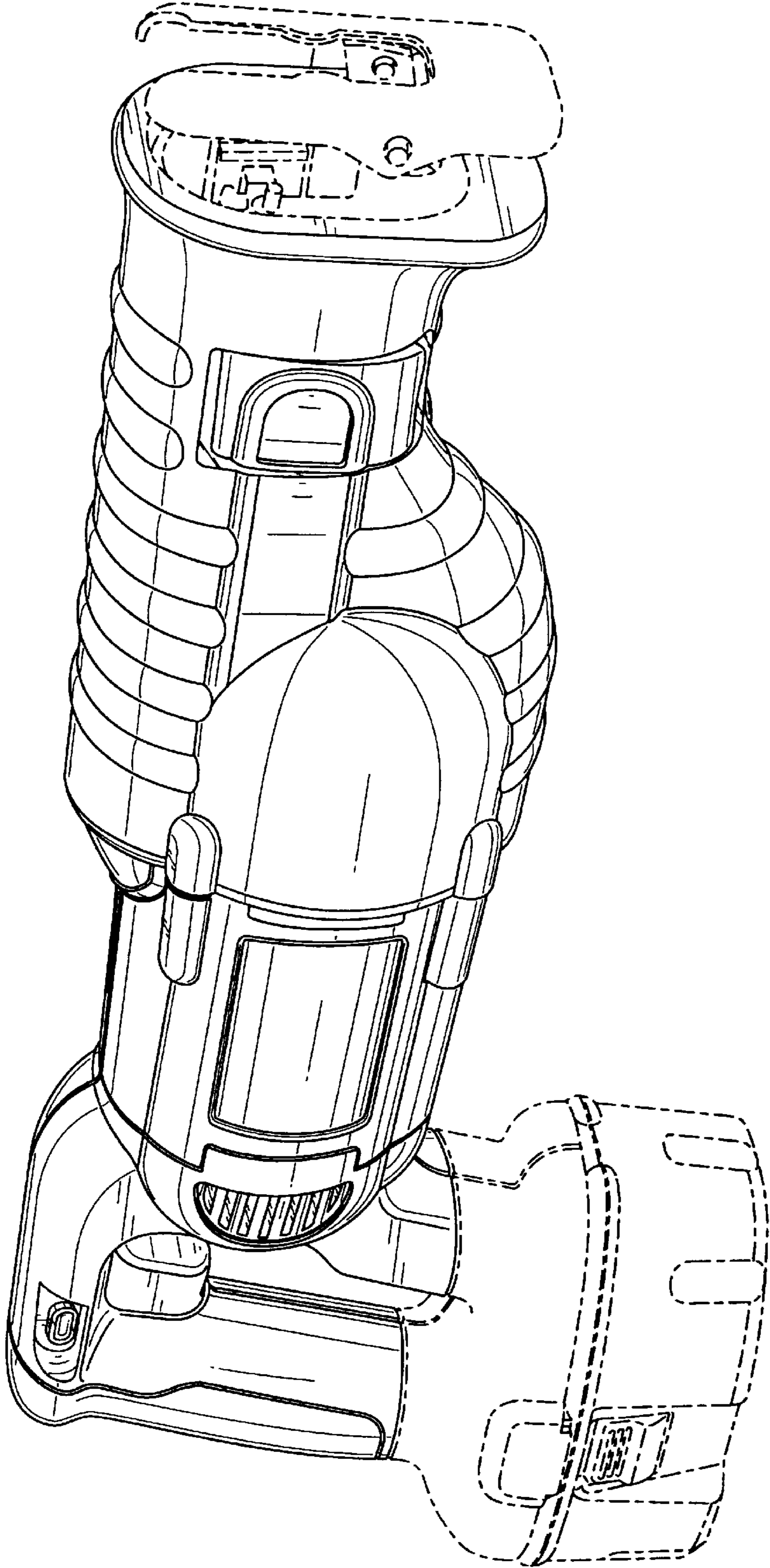


FIG. 1

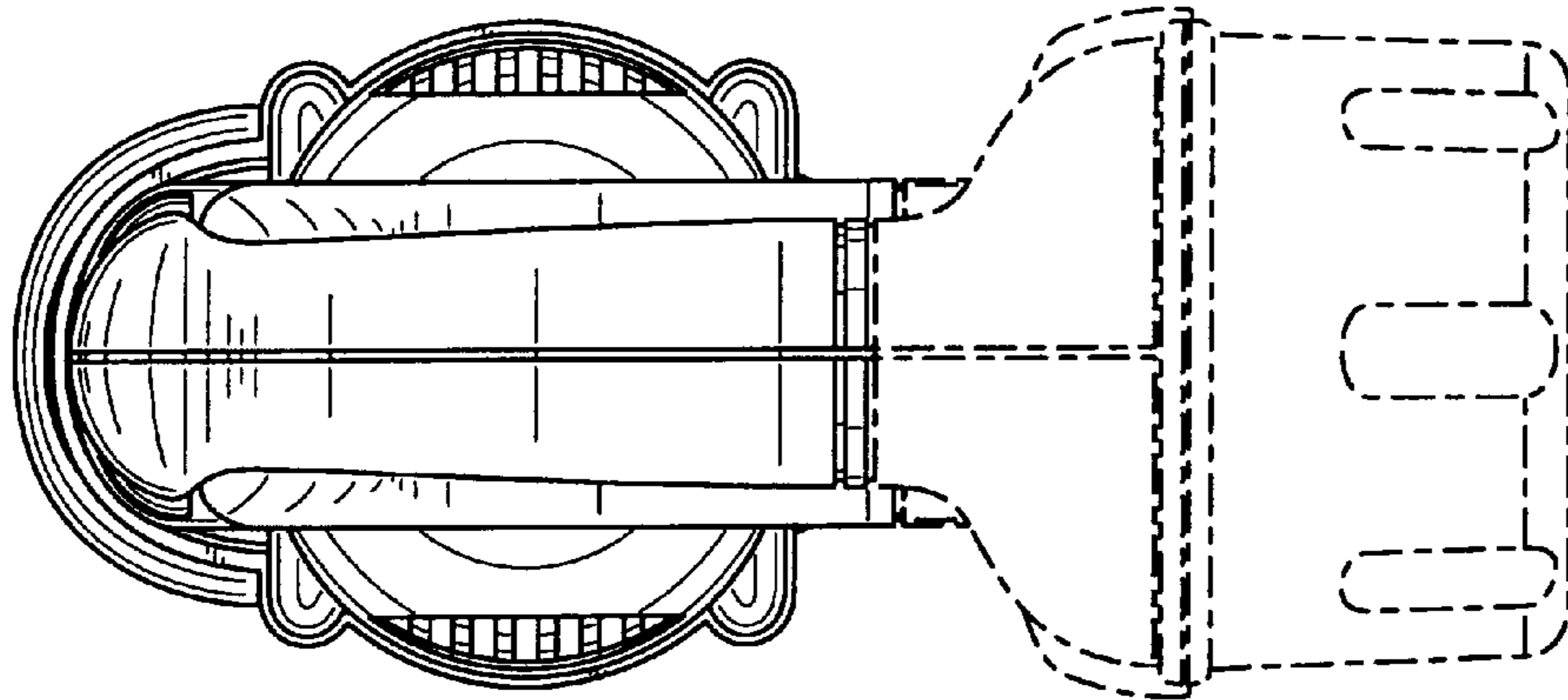


FIG. 2

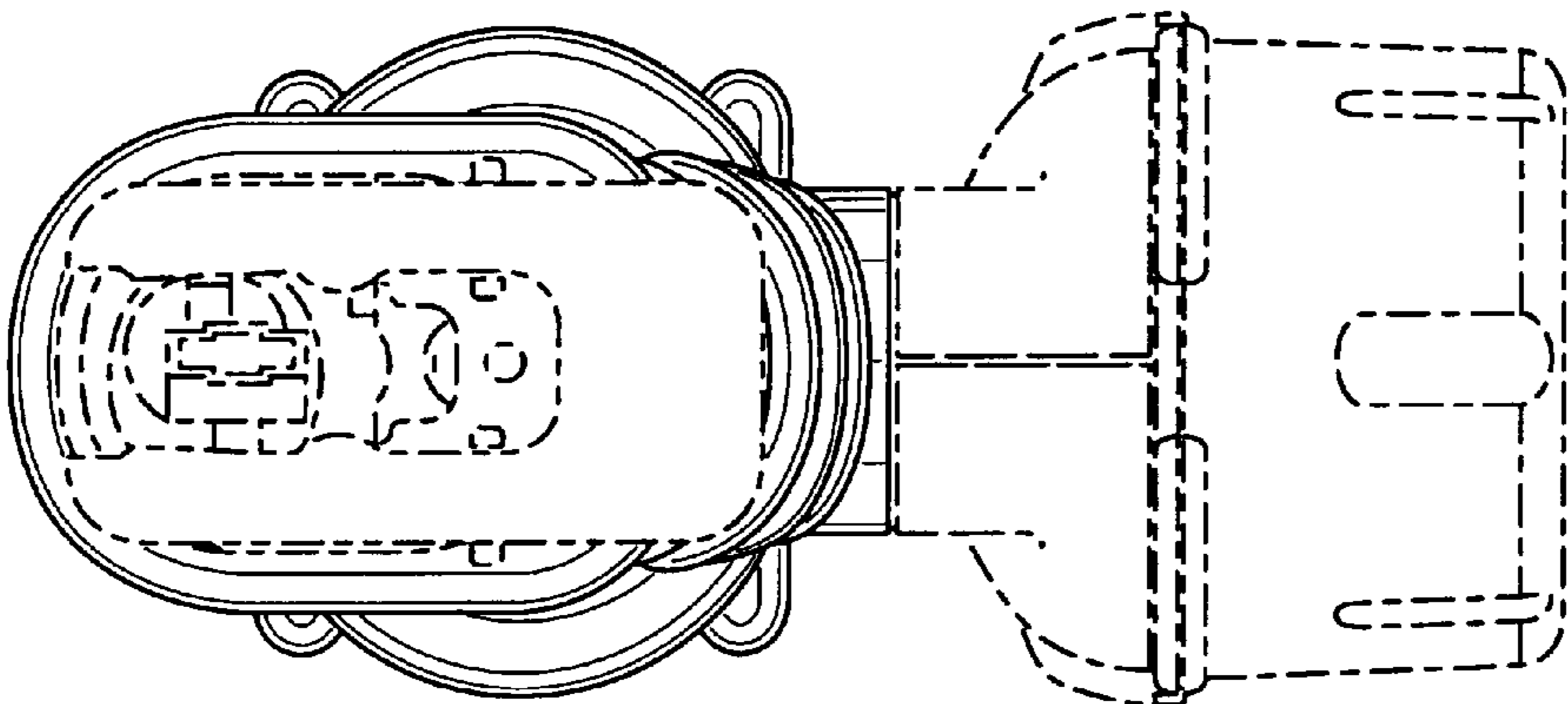


FIG. 3

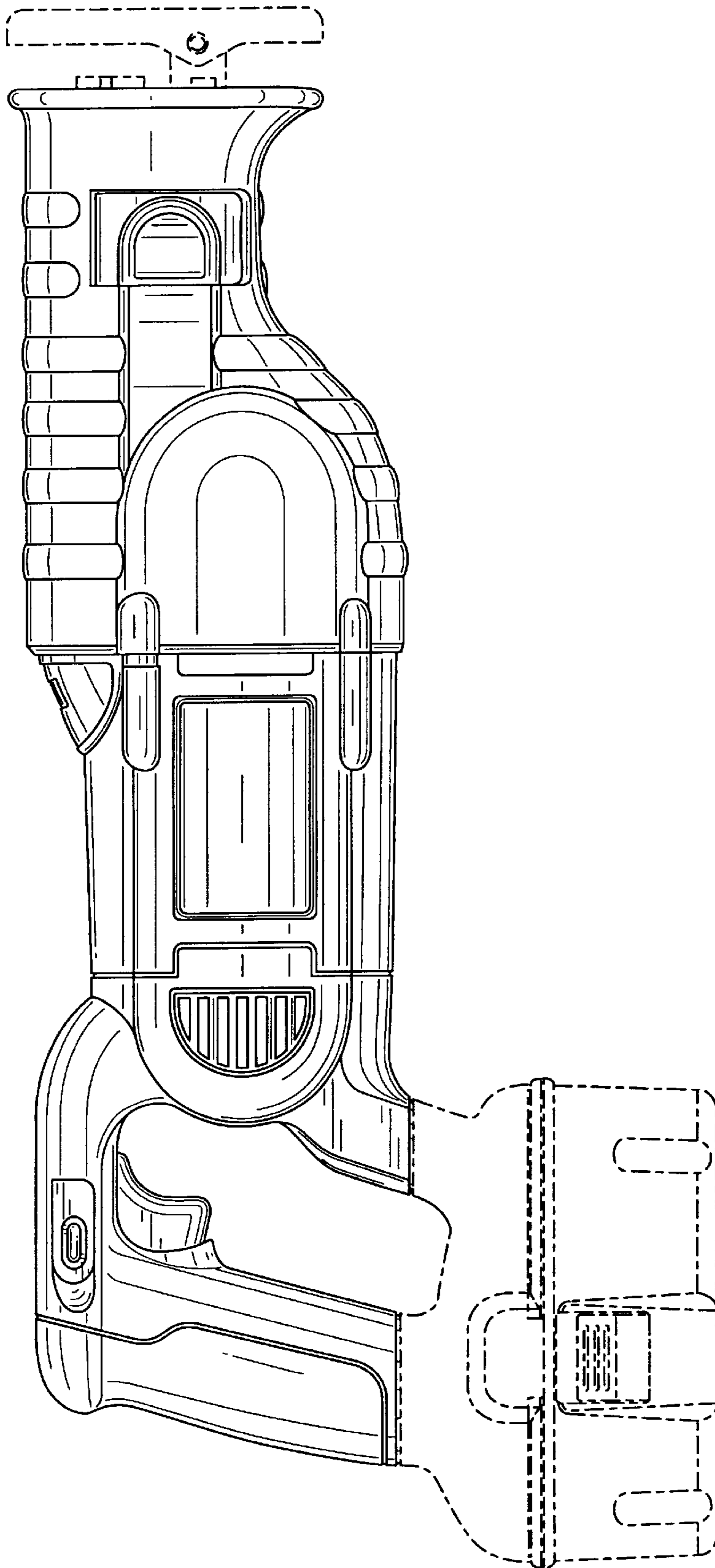


FIG. 4

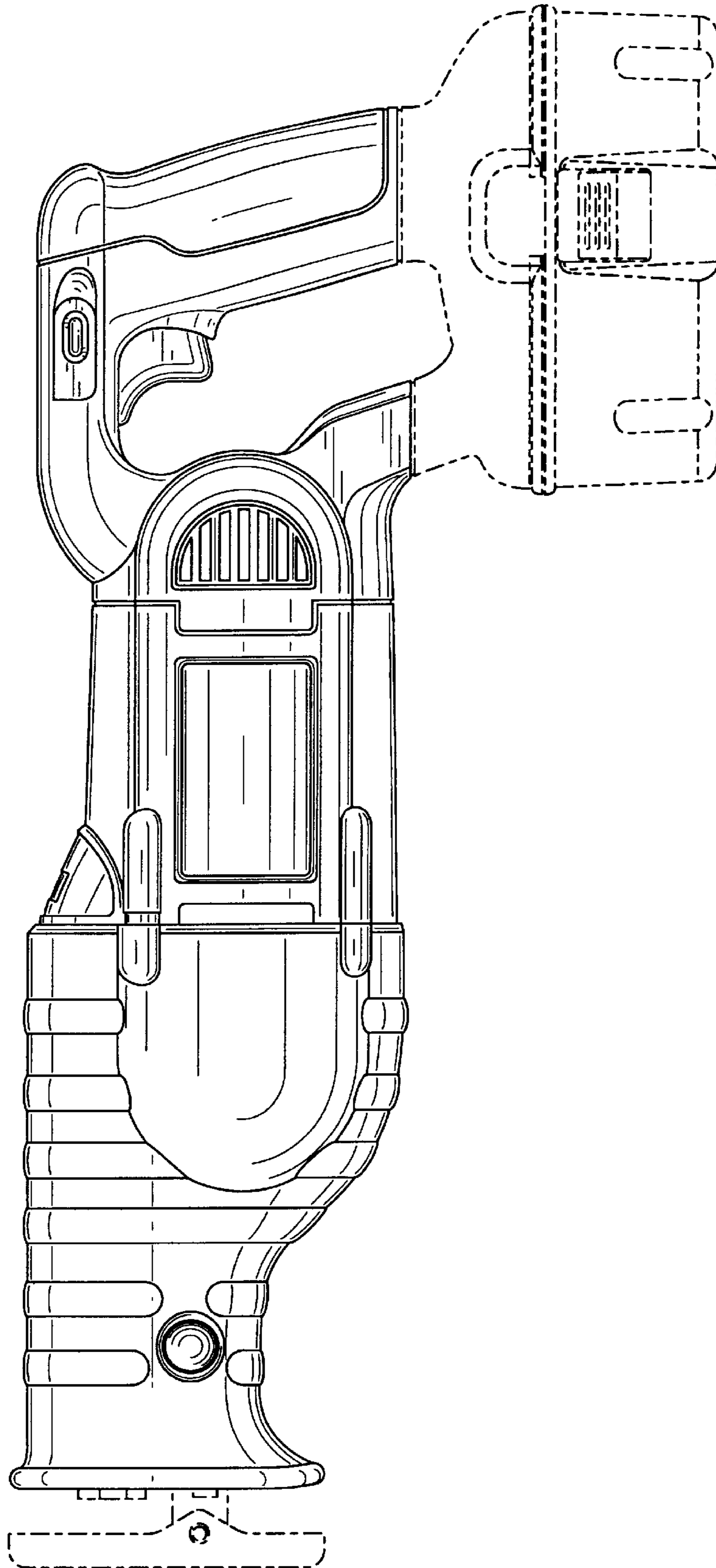


FIG. 5

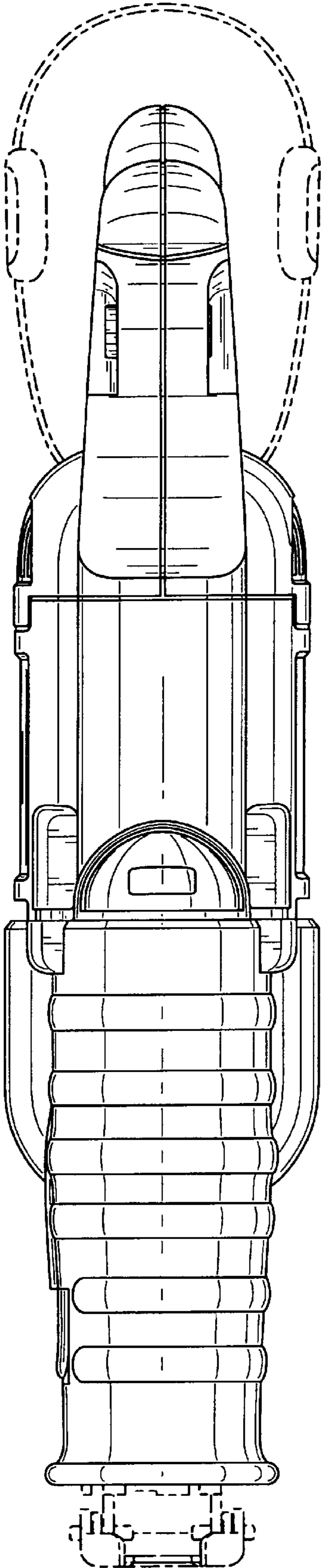


FIG. 6

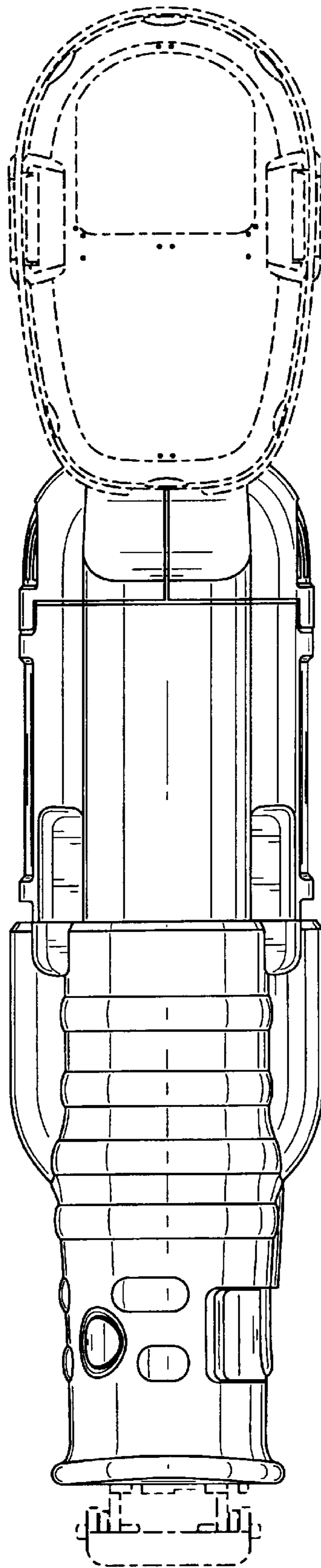


FIG. 7