



US00D525843S

(12) **United States Design Patent**
Waldron

(10) **Patent No.:** **US D525,843 S**

(45) **Date of Patent:** **** Aug. 1, 2006**

(54) **CORDLESS MULTISAW**

(75) Inventor: **Michael Waldron**, County Durham
(GB)

(73) Assignee: **GMCA PTY Limited** (AU)

(**) Term: **14 Years**

(21) Appl. No.: **29/204,177**

(22) Filed: **Apr. 26, 2004**

(30) **Foreign Application Priority Data**

Dec. 5, 2003 (EM) 113949

(51) **LOC (8) Cl.** **08-03**

(52) **U.S. Cl.** **D8/64**

(58) **Field of Classification Search** D8/69,
D8/68, 67, 66, 65, 64, 62, 61; 30/92, 394,
30/393, 392, 377, 376, 371; 74/50, 49; 173/217,
173/216; 83/699.21; 446/145

See application file for complete search history.

(56) **References Cited**

U.S. PATENT DOCUMENTS

5,473,820 A * 12/1995 Neubert et al. 30/386
D401,128 S * 11/1998 Zurwelle D8/64
6,062,939 A * 5/2000 Parker et al. 446/145

6,189,217 B1 * 2/2001 Melvin et al. 30/125
6,237,698 B1 * 5/2001 Carrier et al. 173/2
6,484,409 B1 * 11/2002 Campbell et al. 30/371
6,568,089 B1 * 5/2003 Popik et al. 30/392
2003/0177645 A1 * 9/2003 Flury et al. 30/392

* cited by examiner

Primary Examiner—Cathron C. Brooks

Assistant Examiner—Austin Murphy

(74) *Attorney, Agent, or Firm*—McKee, Voorhees & Sease,
P.L.C.

(57) **CLAIM**

I claim the ornamental design for a cordless multisaw,
substantially as shown.

DESCRIPTION

FIG. 1 is a perspective view of the cordless multisaw.

FIG. 2 is a top view of the cordless multisaw.

FIG. 3 is a bottom view of the cordless multisaw.

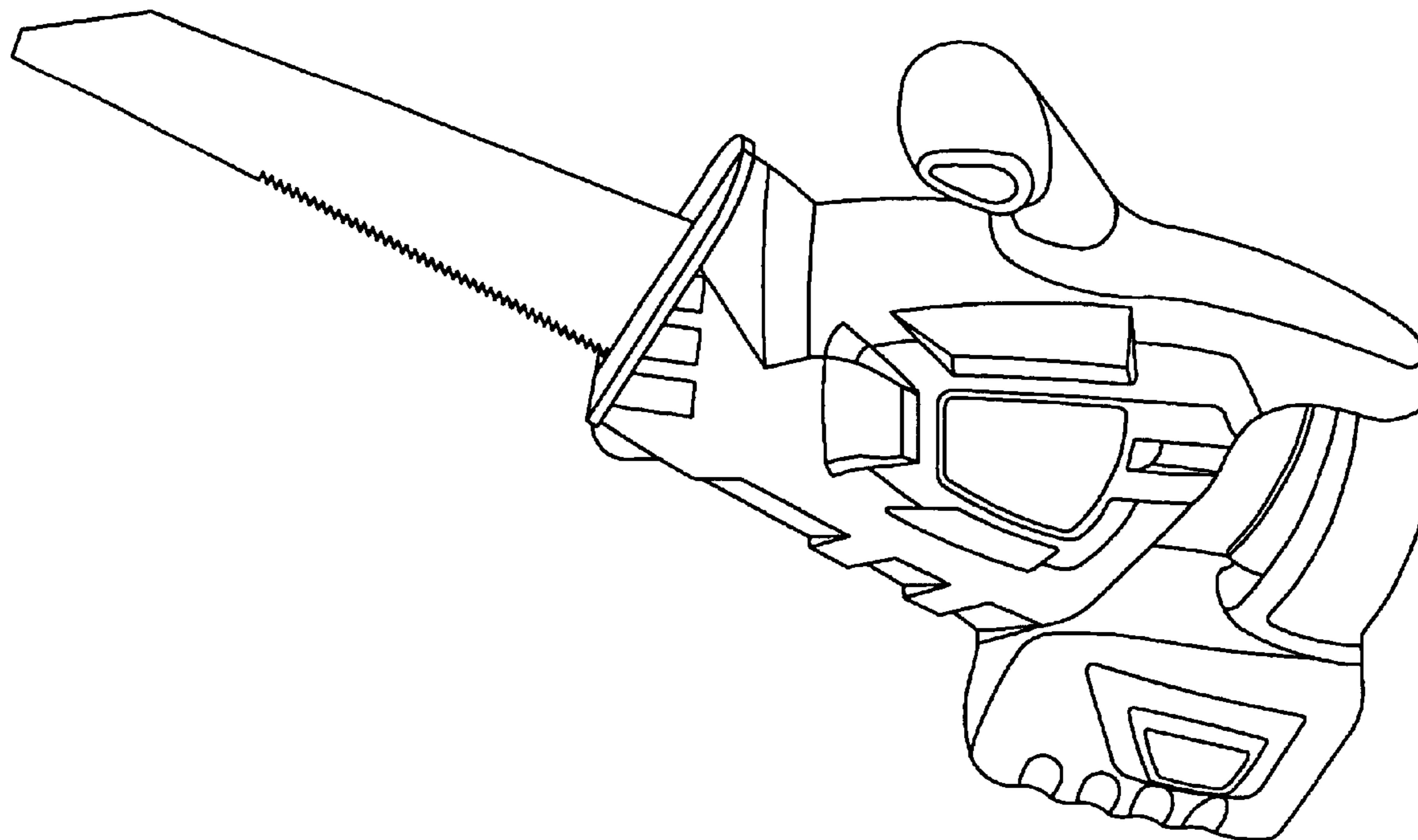
FIG. 4 is a first side view of the cordless multisaw.

FIG. 5 is a second side view of the cordless multisaw
opposing that of FIG. 4.

FIG. 6 is a front elevational view of the cordless multisaw;
and,

FIG. 7 is a rear elevational view of the cordless multisaw.

1 Claim, 3 Drawing Sheets



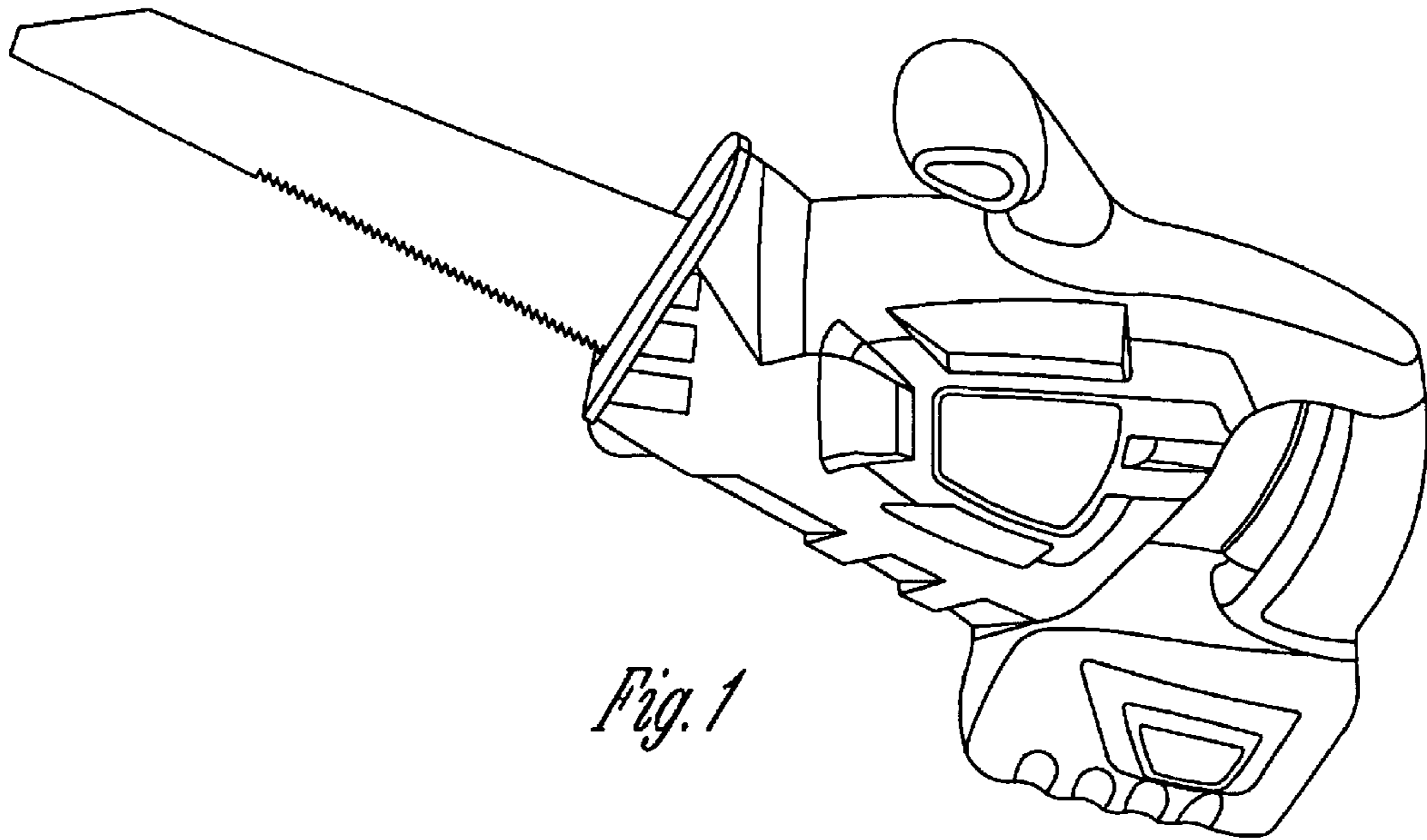


Fig. 1

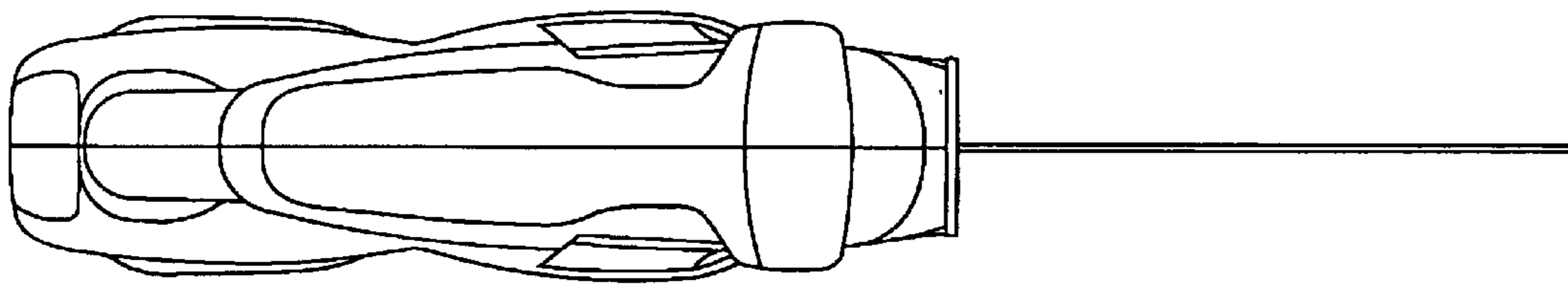


Fig. 2

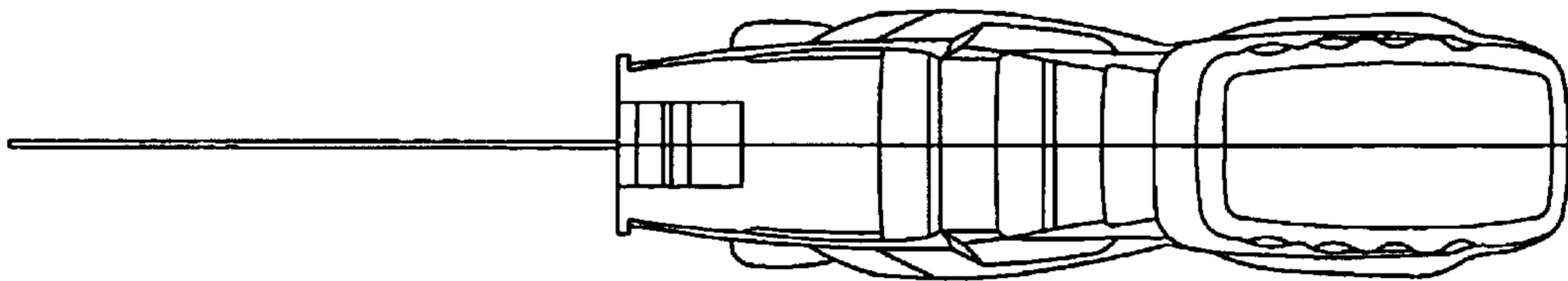


Fig. 3

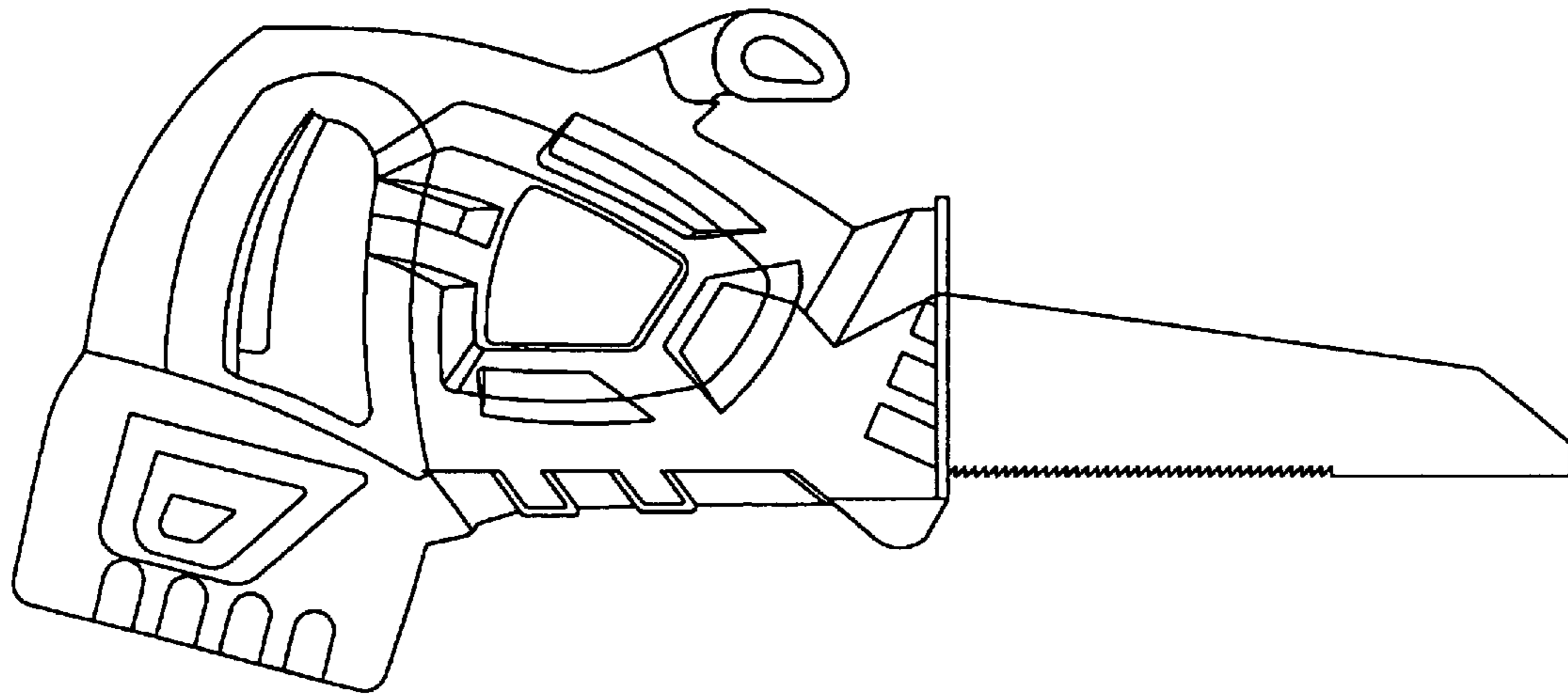


Fig. 4

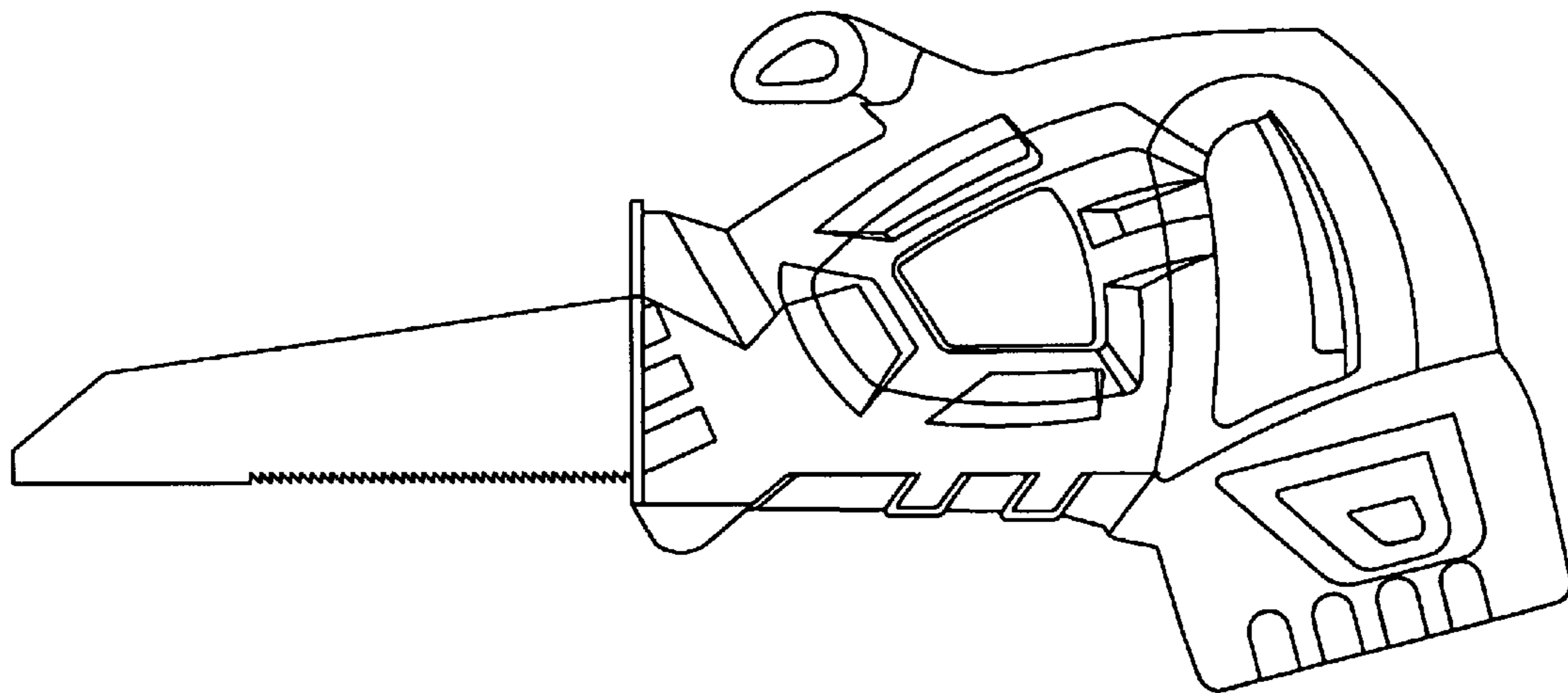


Fig. 5

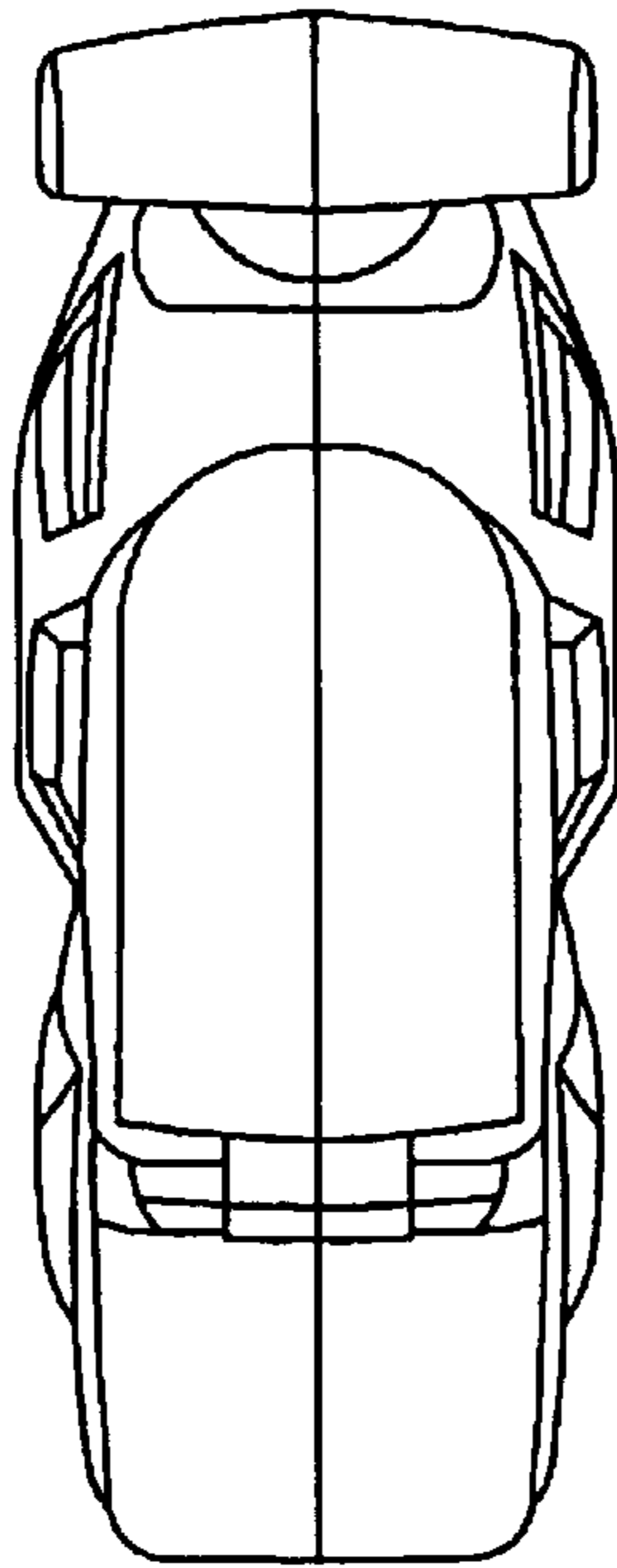


Fig. 6

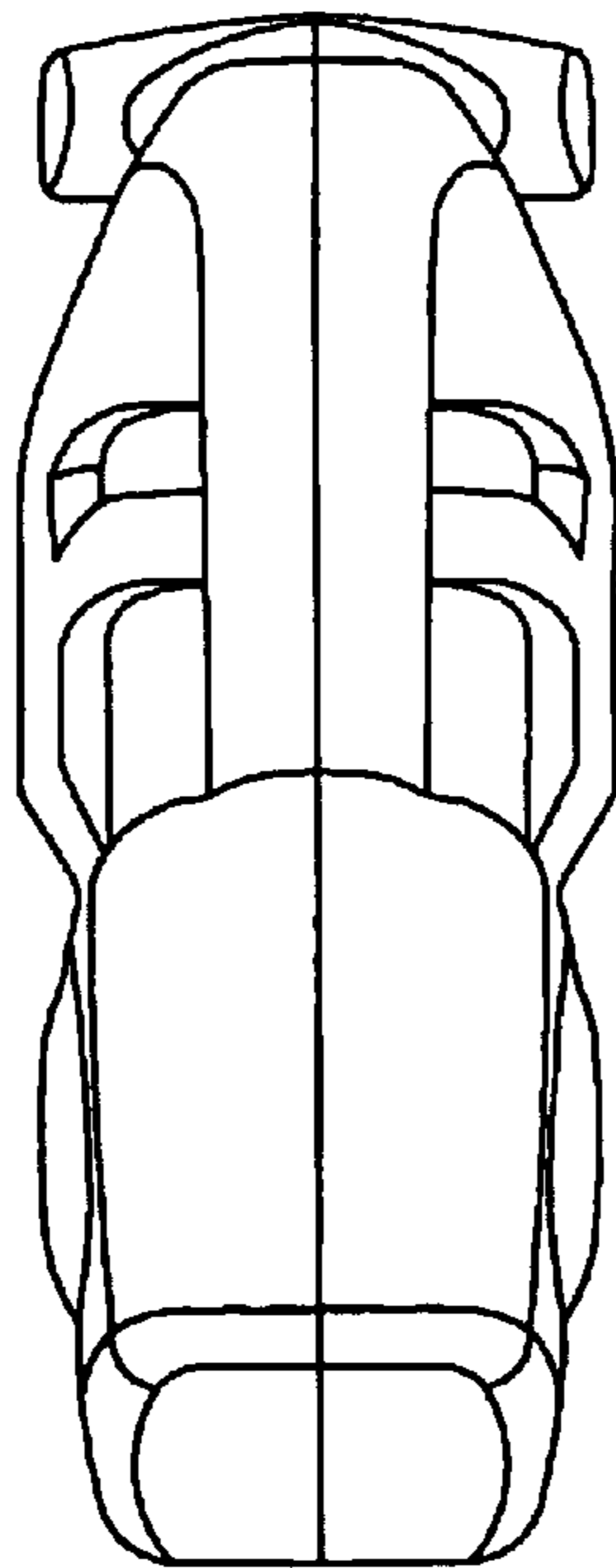


Fig. 7