

US00D525842S

(12) **United States Design Patent** (10) **Patent No.:** **US D525,842 S**
Andriolo (45) **Date of Patent:** **** Aug. 1, 2006**

(54) **RECIPROCATING SAW**
(75) Inventor: **Paolo Andriolo**, Vicenza (IT)
(73) Assignee: **Positec Power Tools (Suzhou) Co. Ltd.** (CN)
(**) Term: **14 Years**
(21) Appl. No.: **29/201,320**
(22) Filed: **Mar. 12, 2004**
(30) **Foreign Application Priority Data**

Sep. 23, 2003 (CN) 03 3 54187

(51) **LOC (8) Cl.** **08-03**
(52) **U.S. Cl.** **D8/64**
(58) **Field of Classification Search** D8/69,
D8/68, 67, 66, 65, 64, 62, 61; 30/92, 394,
30/393, 392, 377, 376, 371; 74/50, 49; 173/217,
173/216; 83/699.21; 446/145
See application file for complete search history.

(56) **References Cited**

U.S. PATENT DOCUMENTS

5,007,172	A *	4/1991	Palm	30/377
5,598,636	A *	2/1997	Stolzer	30/394
5,794,352	A *	8/1998	Dassoulas	30/392
5,855,070	A *	1/1999	Grabowski	30/376
D408,699	S *	4/1999	Zurwelle	D8/64
6,282,797	B1 *	9/2001	Osada et al.	30/392
6,357,125	B1 *	3/2002	Feldmann et al.	30/392
D468,982	S *	1/2003	Brazell et al.	D8/64
D479,453	S *	9/2003	Lind et al.	D8/64
D504,603	S *	5/2005	Xiaoxian	D8/64

D506,117	S *	6/2005	Sun et al.	D8/64
6,912,790	B1 *	7/2005	James et al.	30/392
2001/0011420	A1 *	8/2001	Osada	30/392
2002/0138991	A1 *	10/2002	Tachibana et al.	30/392
2002/0144411	A1 *	10/2002	Brooks	30/392
2003/0110645	A1 *	6/2003	Phillips et al.	30/392
2003/0163924	A1 *	9/2003	Hempe et al.	30/388
2004/0148789	A1 *	8/2004	Gist et al.	30/392
2004/0149553	A1 *	8/2004	Duffek et al.	200/61.58 R
2005/0039340	A1 *	2/2005	Bigden et al.	30/392
2005/0092156	A1 *	5/2005	Michel et al.	83/698.11
2005/0126018	A1 *	6/2005	Haas	30/394
2005/0183271	A1 *	8/2005	Sugiura et al.	30/392
2005/0262710	A1 *	12/2005	Moreno	30/394

* cited by examiner

Primary Examiner—Cathron C. Brooks
Assistant Examiner—Austin Murphy
(74) *Attorney, Agent, or Firm*—Fulwider Patton LLP

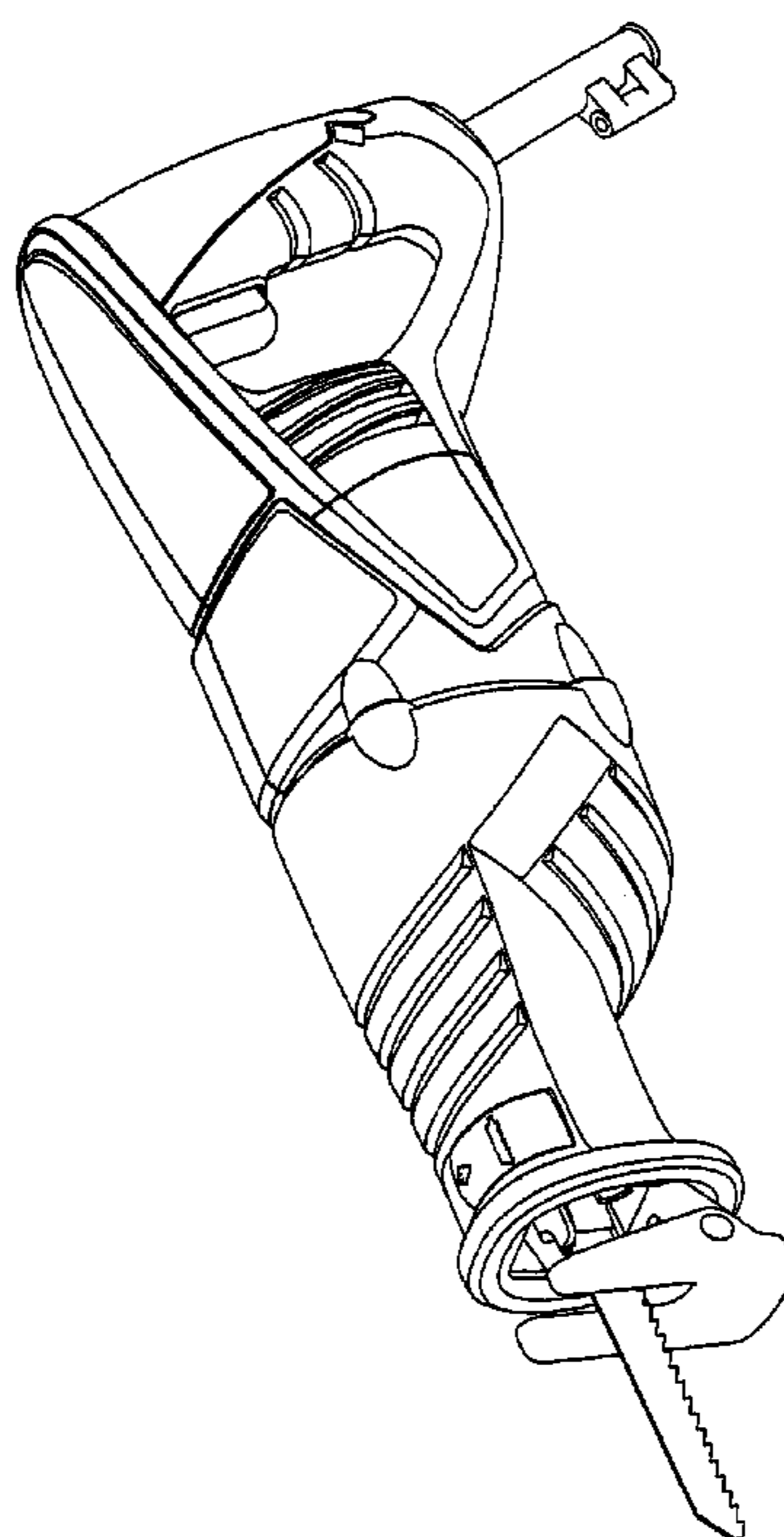
(57) **CLAIM**

The ornamental design for a reciprocating saw, as shown and described.

DESCRIPTION

FIG. 1 is a front perspective view showing my new design; FIG. 2 is a rear perspective view thereof; FIG. 3 is a left side plan view thereof; FIG. 4 is right side plan view thereof; FIG. 5 is a front plan view thereof; FIG. 6 is a back plan view thereof; FIG. 7 is a top plan view thereof; and, FIG. 8 is a bottom plan view thereof.

1 Claim, 7 Drawing Sheets



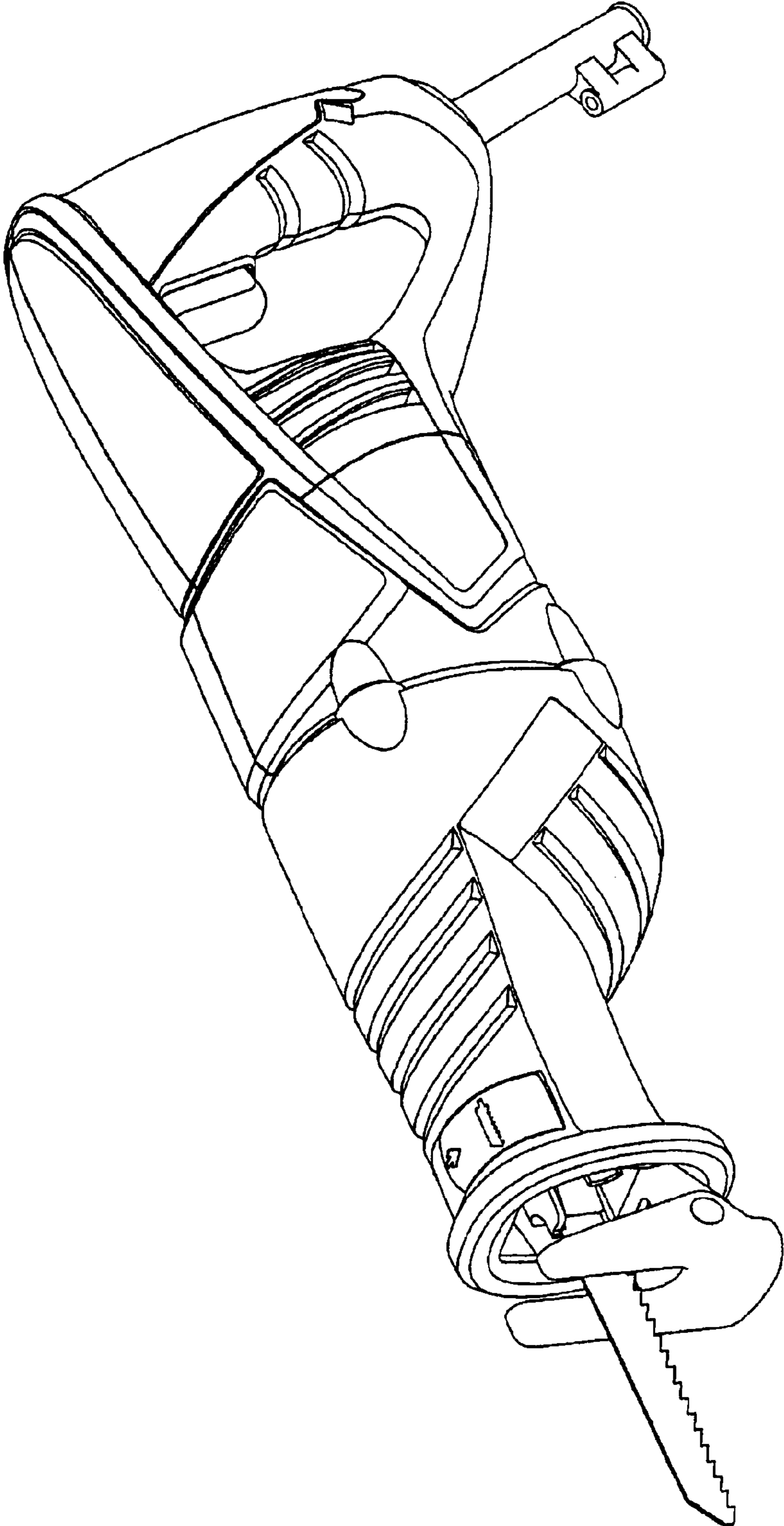


FIG. 1

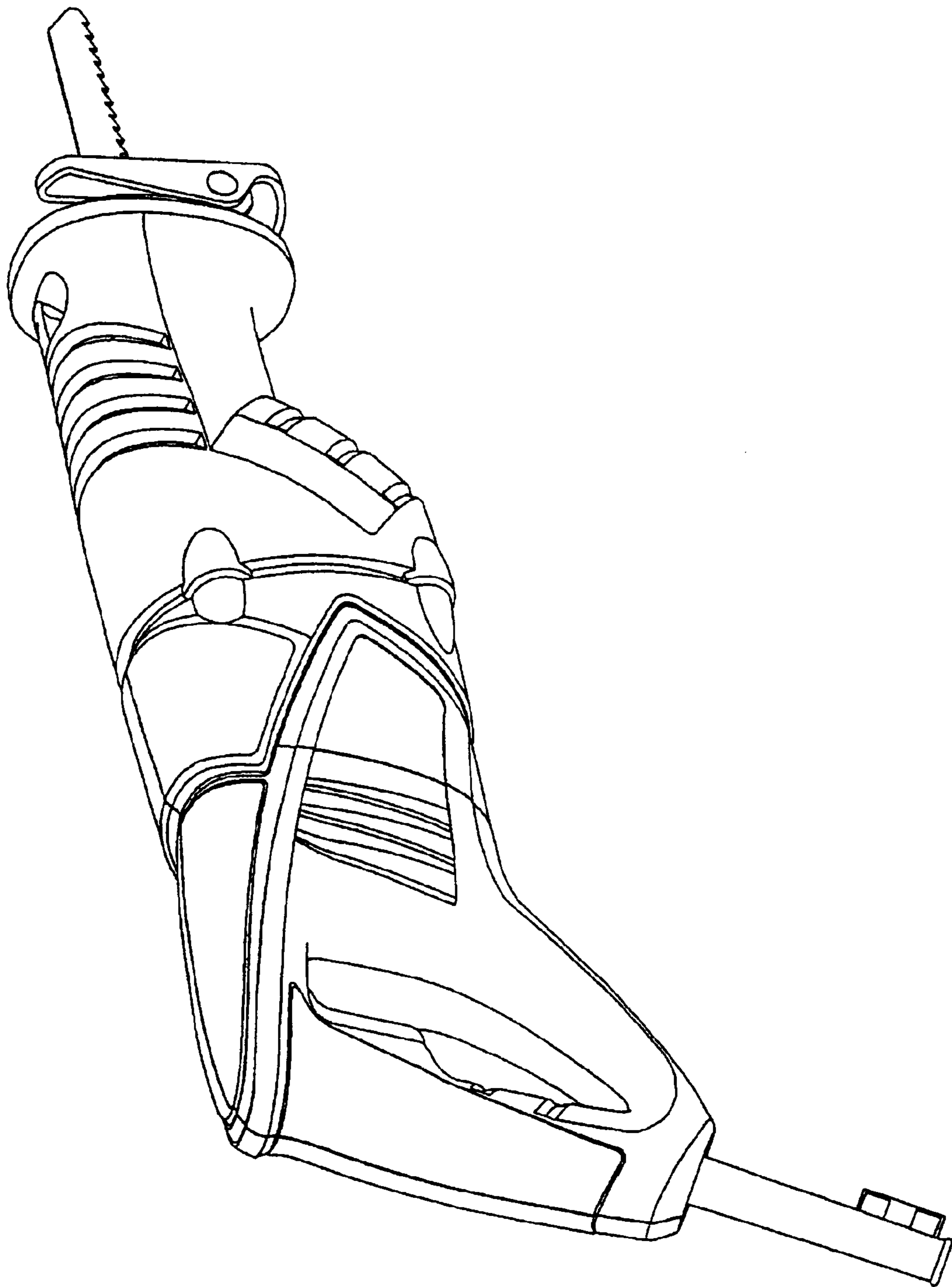


FIG. 2

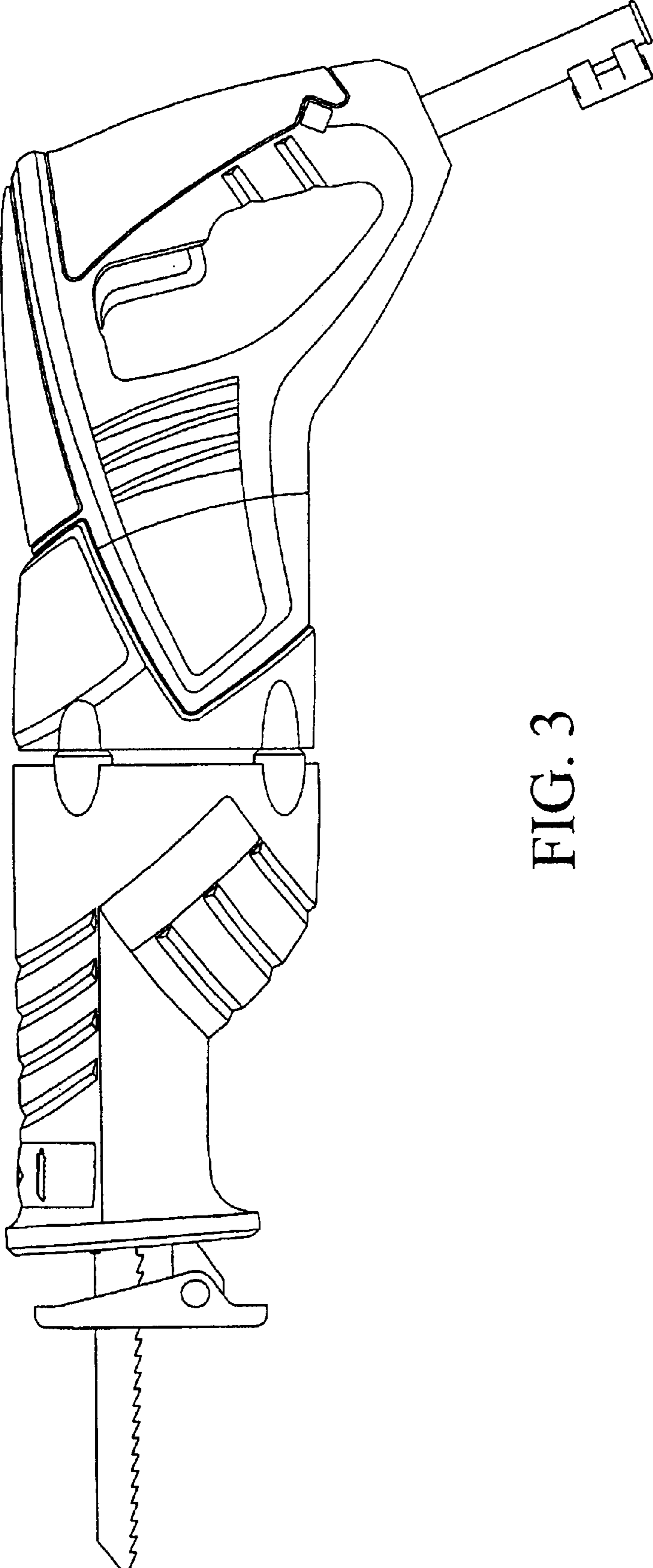


FIG. 3

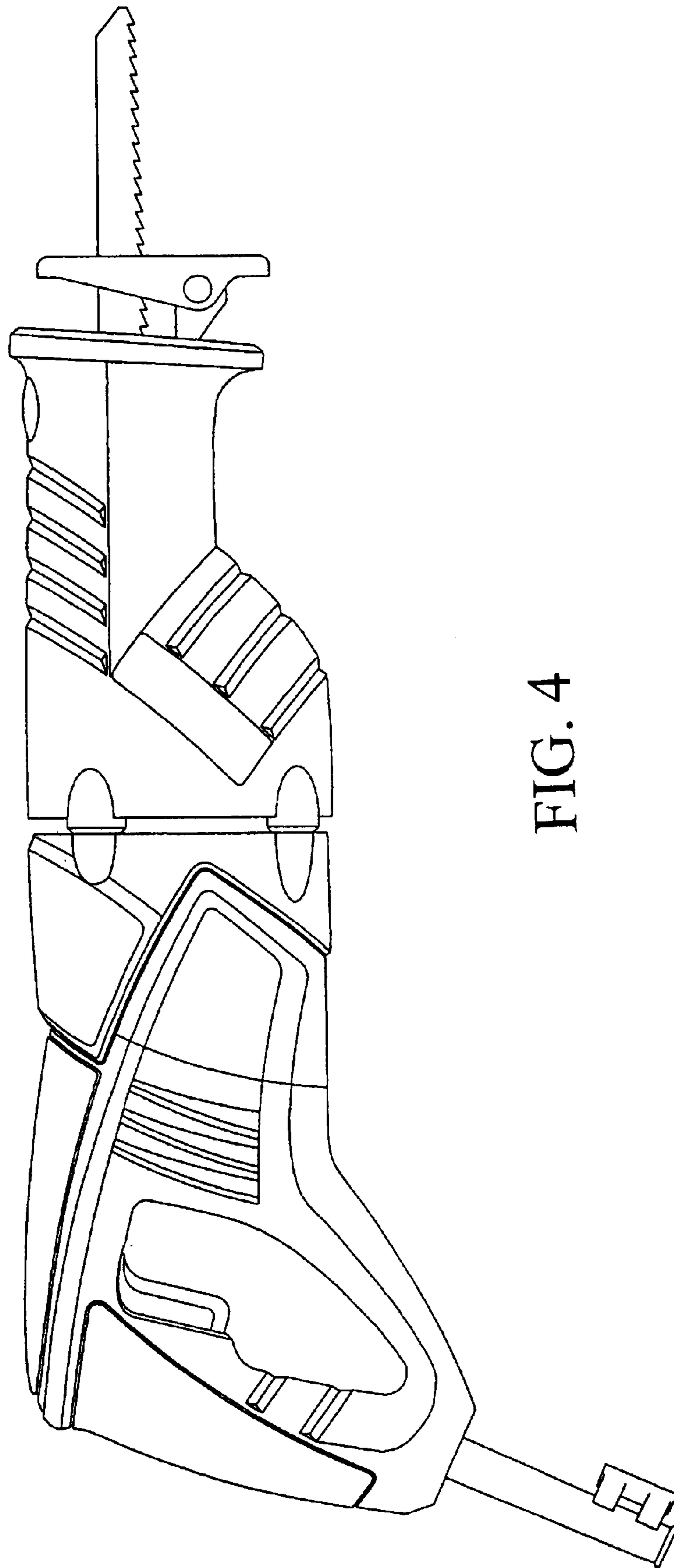


FIG. 4

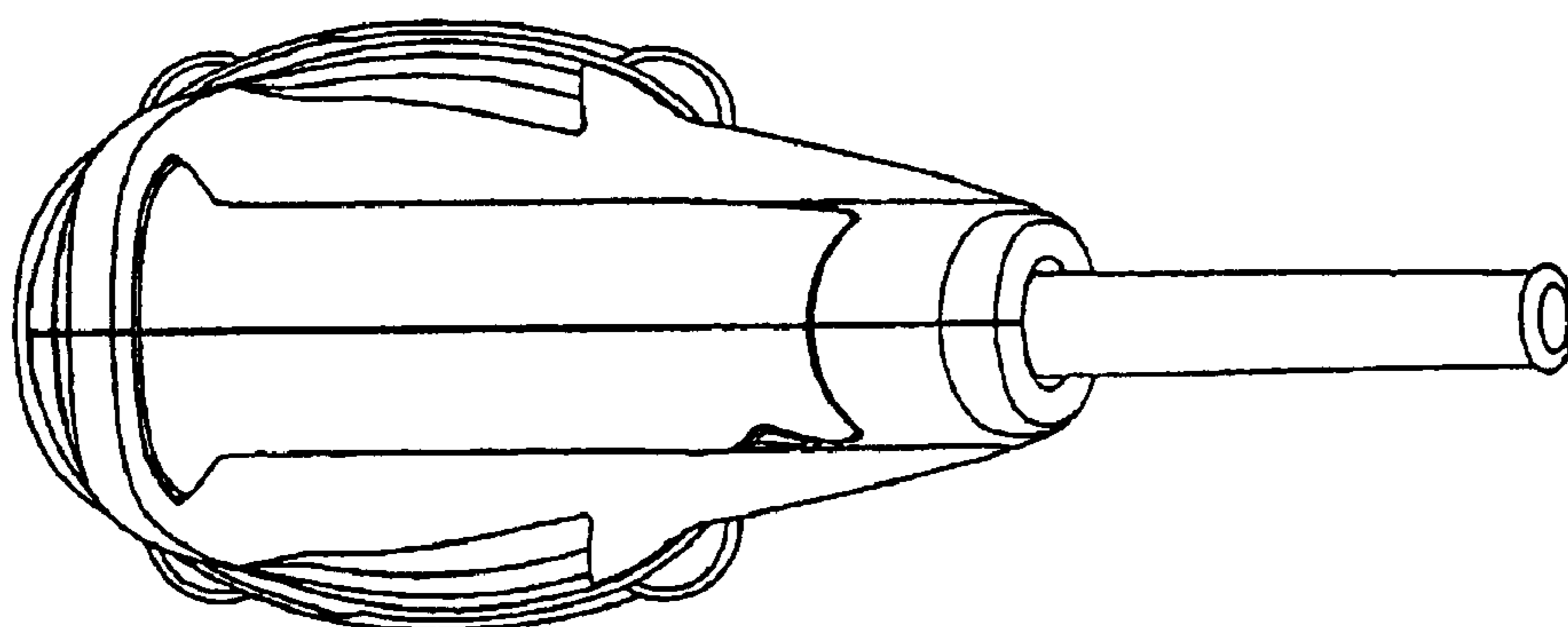


FIG. 6

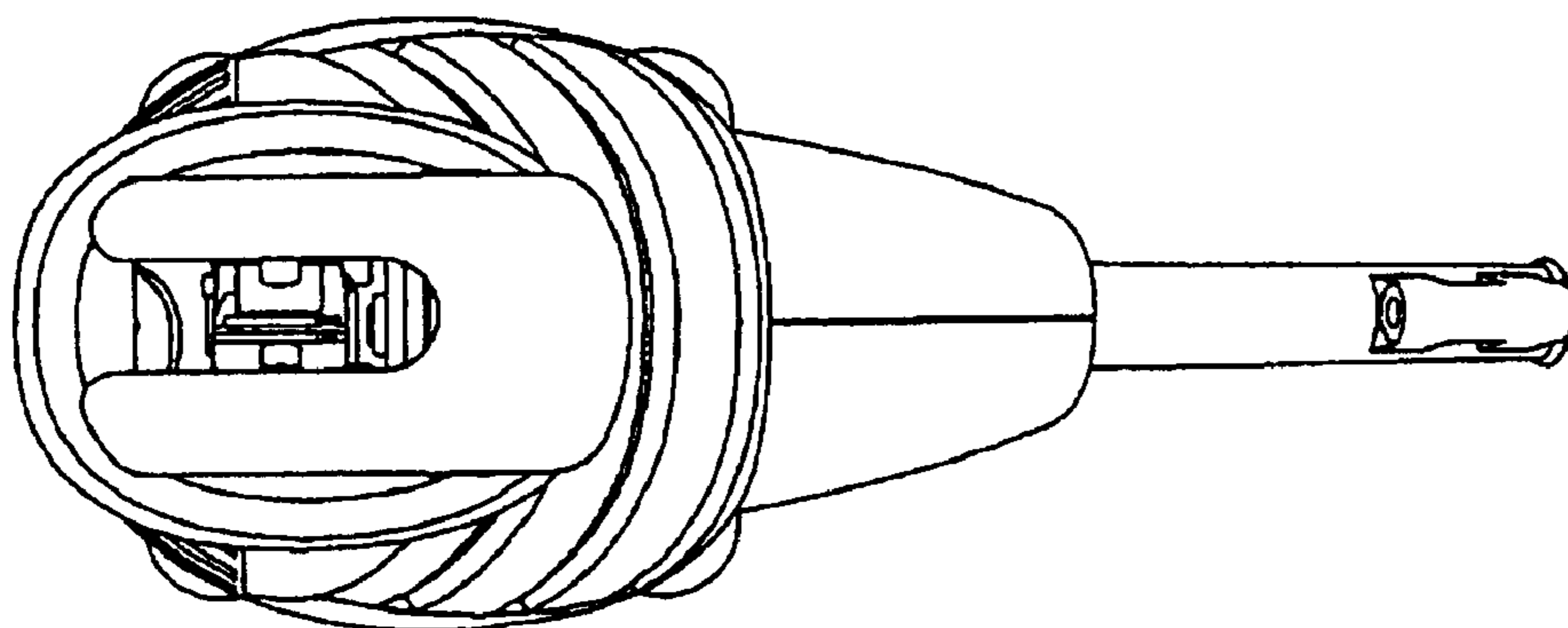


FIG. 5

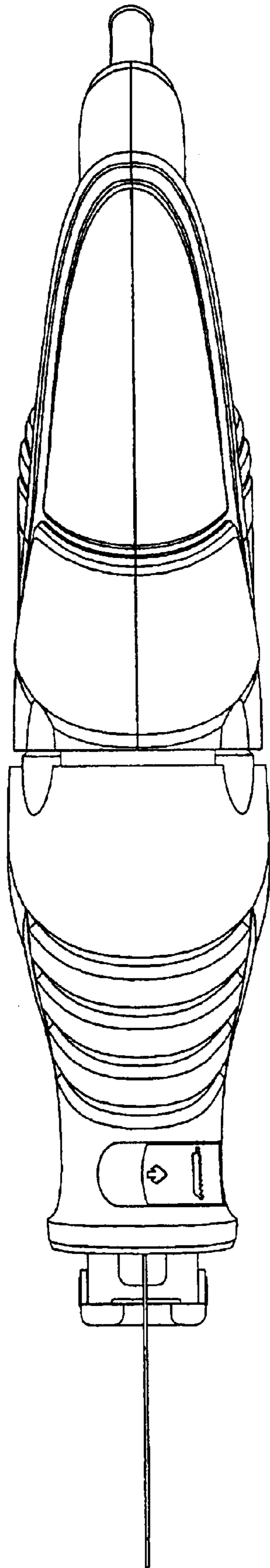


FIG. 7

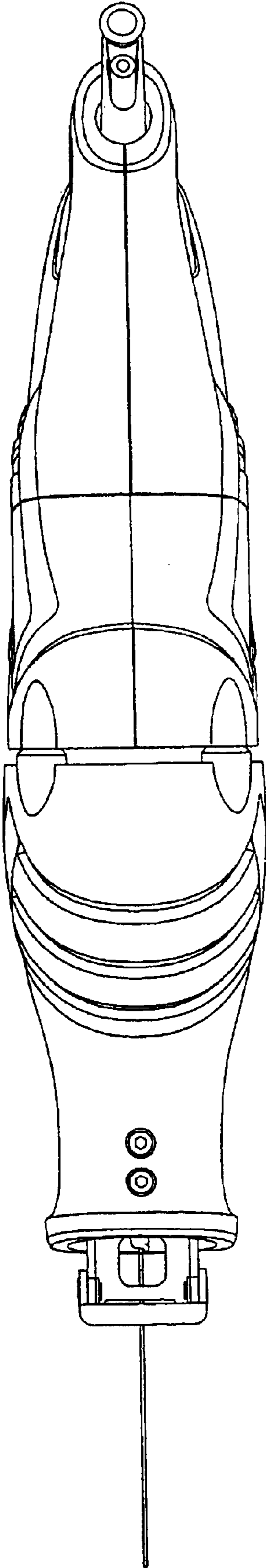


FIG. 8

UNITED STATES PATENT AND TRADEMARK OFFICE
CERTIFICATE OF CORRECTION

PATENT NO. : Des. 525,842 S
APPLICATION NO. : 29/201320
DATED : August 1, 2006
INVENTOR(S) : Paolo Andriolo

Page 1 of 4

It is certified that error appears in the above-identified patent and that said Letters Patent is hereby corrected as shown below:

On the Title page of the Letters Patent under (30) Foreign Application Priority Data, replace "03354187" with --03354186.8--

Please replace Figures 1 and 5 with the attached replacement Figures 1 and 5.

Signed and Sealed this

Fifth Day of December, 2006

A handwritten signature in black ink on a light gray dotted background. The signature reads "Jon W. Dudas" in a cursive style.

JON W. DUDAS

Director of the United States Patent and Trademark Office

(12) **United States Design Patent** (10) Patent No.: **US D525,842 S**
Andriolo (45) Date of Patent: **** Aug. 1, 2006**

(54) **RECIPROCATING SAW**

(75) Inventor: **Paolo Andriolo, Vicenza (IT)**
 (73) Assignee: **Positac Power Tools (Suzhou) Co. Ltd. (CN)**
 (**) Term: **14 Years**

(21) Appl. No.: **29/201,320**

(22) Filed: **Mar. 12, 2004**

(30) **Foreign Application Priority Data**

Sep. 23, 2003 (CN) 03 3 54187

(51) LOC (8) Cl. 08-03
 (52) U.S. Cl. D8/64
 (58) Field of Classification Search D8/69,
 D8/68, 67, 66, 65, 64, 62, 61; 30/92, 394,
 30/393, 392, 377, 376, 371; 74/50, 49; 173/217,
 173/216; 83/699.21; 446/145
 See application file for complete search history.

(56) **References Cited**

U.S. PATENT DOCUMENTS

5,007,172 A *	4/1991	Palm	30/377
5,598,636 A *	2/1997	Stolzer	30/394
5,794,352 A *	8/1998	Dassoulas	30/392
5,855,070 A *	1/1999	Grabowski	30/376
D408,699 S *	4/1999	Zurwelle	D8/64
6,282,797 B1 *	9/2001	Osada et al.	30/392
6,357,125 B1 *	3/2002	Feldmann et al.	30/392
D468,982 S *	1/2003	Brazell et al.	D8/64
D479,453 S *	9/2003	Lind et al.	D8/64
D504,603 S *	5/2005	Xiaoxian	D8/64

D506,117 S *	6/2005	Sun et al.	D8/64
6,912,790 B1 *	7/2005	James et al.	30/392
2001/0011420 A1 *	8/2001	Osada	30/392
2002/0138991 A1 *	10/2002	Tachibana et al.	30/392
2002/0144411 A1 *	10/2002	Brooks	30/392
2003/0110645 A1 *	6/2003	Phillips et al.	30/392
2003/0163924 A1 *	9/2003	Hempe et al.	30/388
2004/0148789 A1 *	8/2004	Gist et al.	30/392
2004/0149553 A1 *	8/2004	Duffek et al.	200/61,58 R
2005/0039340 A1 *	2/2005	Bigden et al.	30/392
2005/0092156 A1 *	5/2005	Michel et al.	83/698.11
2005/0126018 A1 *	6/2005	Haas	30/394
2005/0183271 A1 *	8/2005	Sugiura et al.	30/392
2005/0262710 A1 *	12/2005	Moreno	30/394

* cited by examiner

Primary Examiner—Cathron C. Brooks
Assistant Examiner—Austin Murphy
 (74) *Attorney, Agent, or Firm*—Fulwider Patton LLP

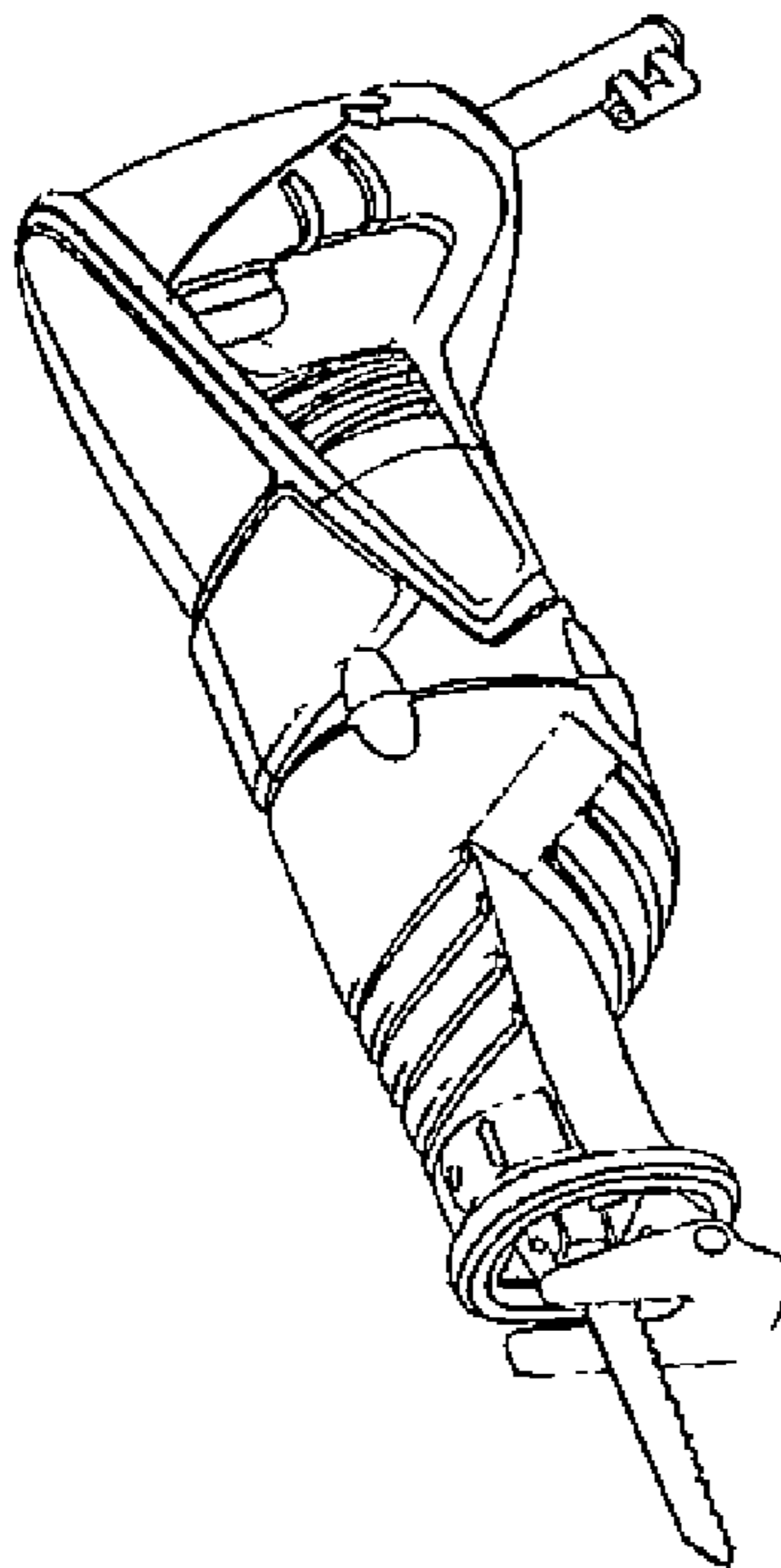
(57) **CLAIM**

The ornamental design for a reciprocating saw, as shown and described.

DESCRIPTION

FIG. 1 is a front perspective view showing my new design; FIG. 2 is a rear perspective view thereof; FIG. 3 is a left side plan view thereof; FIG. 4 is right side plan view thereof; FIG. 5 is a front plan view thereof; FIG. 6 is a back plan view thereof; FIG. 7 is a top plan view thereof; and, FIG. 8 is a bottom plan view thereof.

1 Claim, 7 Drawing Sheets



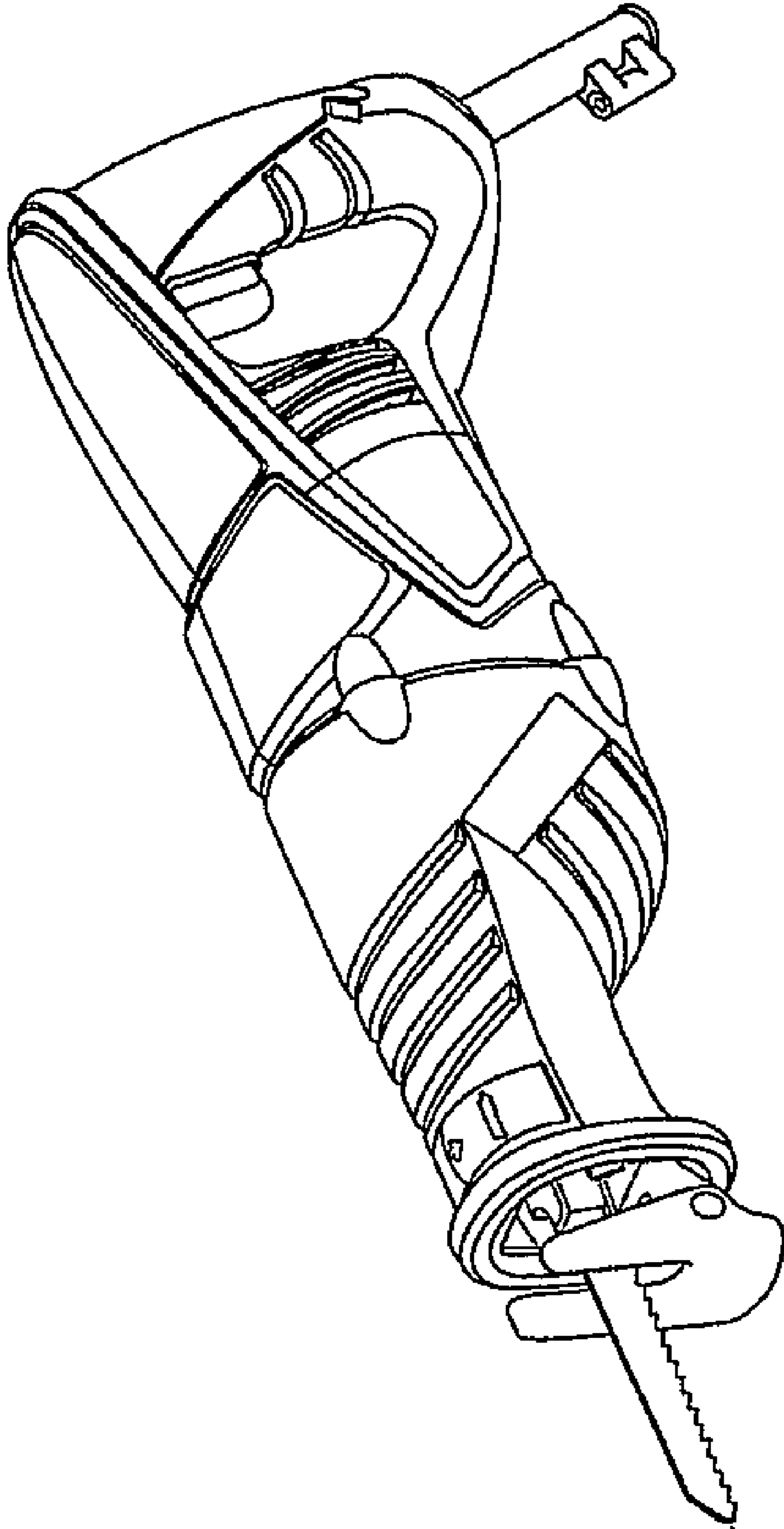


FIG. 1

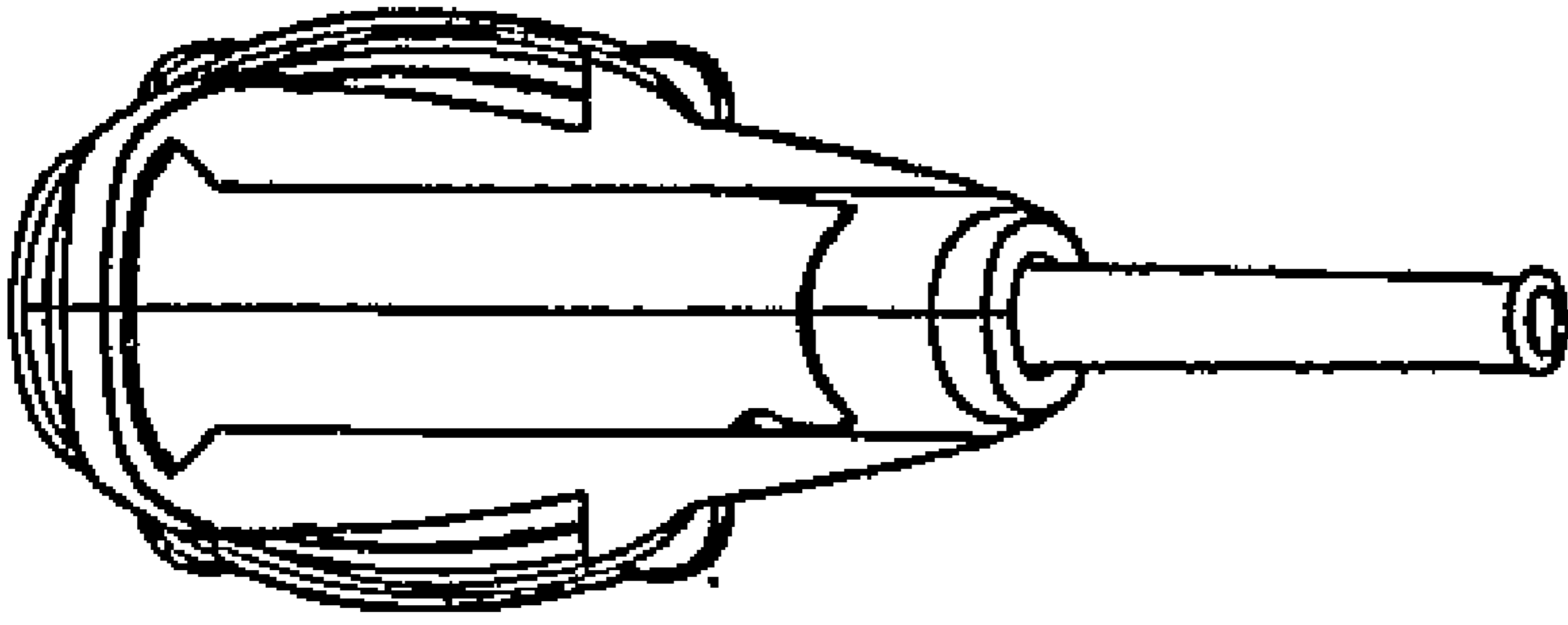


FIG. 6

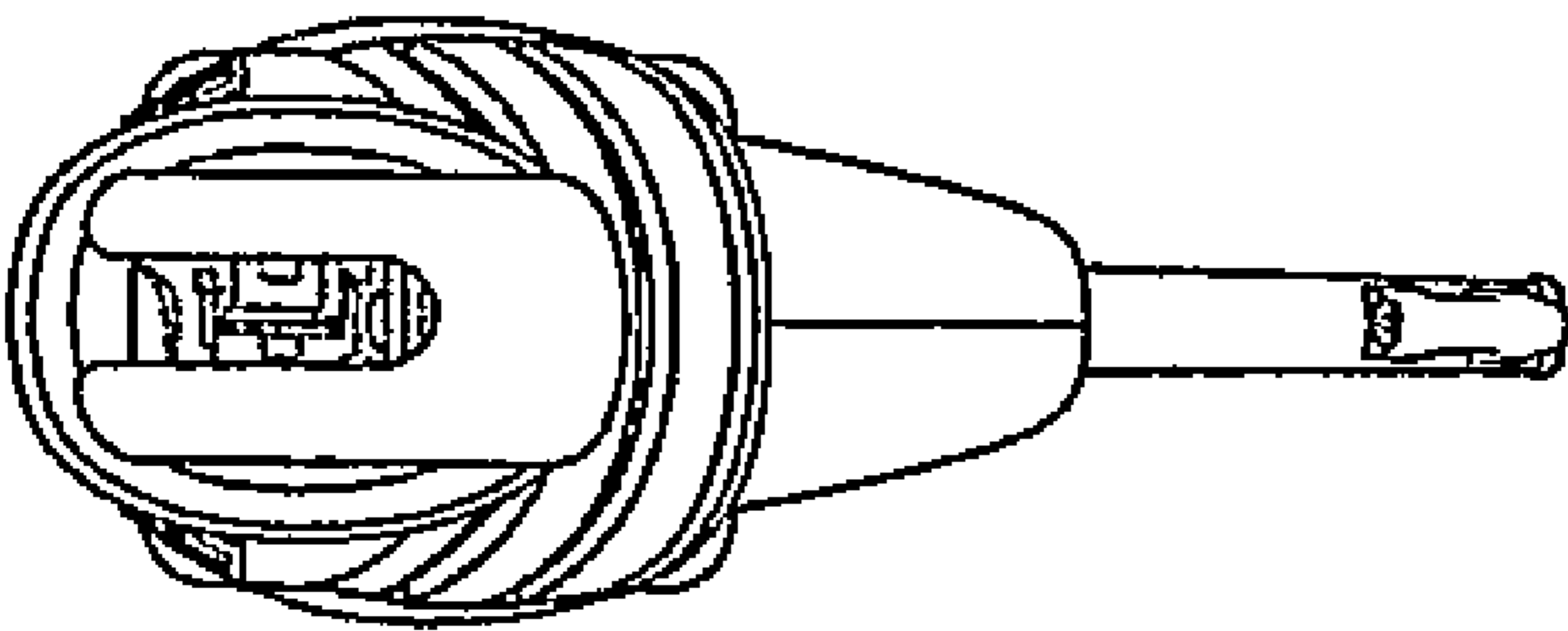


FIG. 5