



US00D525839S

(12) **United States Design Patent**
Rauckman

(10) **Patent No.:** **US D525,839 S**

(45) **Date of Patent:** **** Aug. 1, 2006**

(54) **BALL TIP DRIVE**

(76) **Inventor:** **James B. Rauckman**, 37 Ednick Dr.,
Swansea, IL (US) 62226

(**) **Term:** **14 Years**

(21) **Appl. No.:** **29/239,857**

(22) **Filed:** **Oct. 5, 2005**

(51) **LOC (8) Cl.** **08-05**

(52) **U.S. Cl.** **D8/29**

(58) **Field of Classification Search** D8/21-29;
81/121.1, 124.3, 124.4, 124.6, 125, 177.1,
81/177.2, 177.85, 119, 436, 177.6

See application file for complete search history.

(56) **References Cited**

U.S. PATENT DOCUMENTS

D330,900 S	*	11/1992	Wakegijig	D15/138
D334,516 S	*	4/1993	Tsunoda	D8/29
D358,082 S	*	5/1995	Trezza	D8/70
D359,669 S	*	6/1995	Splingaire	D8/29
D379,420 S	*	5/1997	Standlee et al.	D8/70
D404,628 S	*	1/1999	Kendrick	D8/70
6,354,176 B1	*	3/2002	Nordlin	81/124.4
D493,081 S	*	7/2004	Chen	D8/29
2002/0134205 A1	*	9/2002	Hsu	81/177.85

OTHER PUBLICATIONS

Snap-on tool cat. dated 1990, pp. 63 and 283.*
Proto tool cat. dated 1980, pp. 50 and 54.*

* cited by examiner

Primary Examiner—Raphael Barkai

Assistant Examiner—Randall H. Gholson

(74) *Attorney, Agent, or Firm*—Polster, Lieder, Woodruff &
Lucchesi, P.C.

(57) **CLAIM**

The ornamental design for a ball tip drive, as shown and described.

DESCRIPTION

FIG. 1 is a rear perspective view of the ball tip drive showing my new design;

FIG. 2 is front perspective view of the ball tip drive showing my new desing;

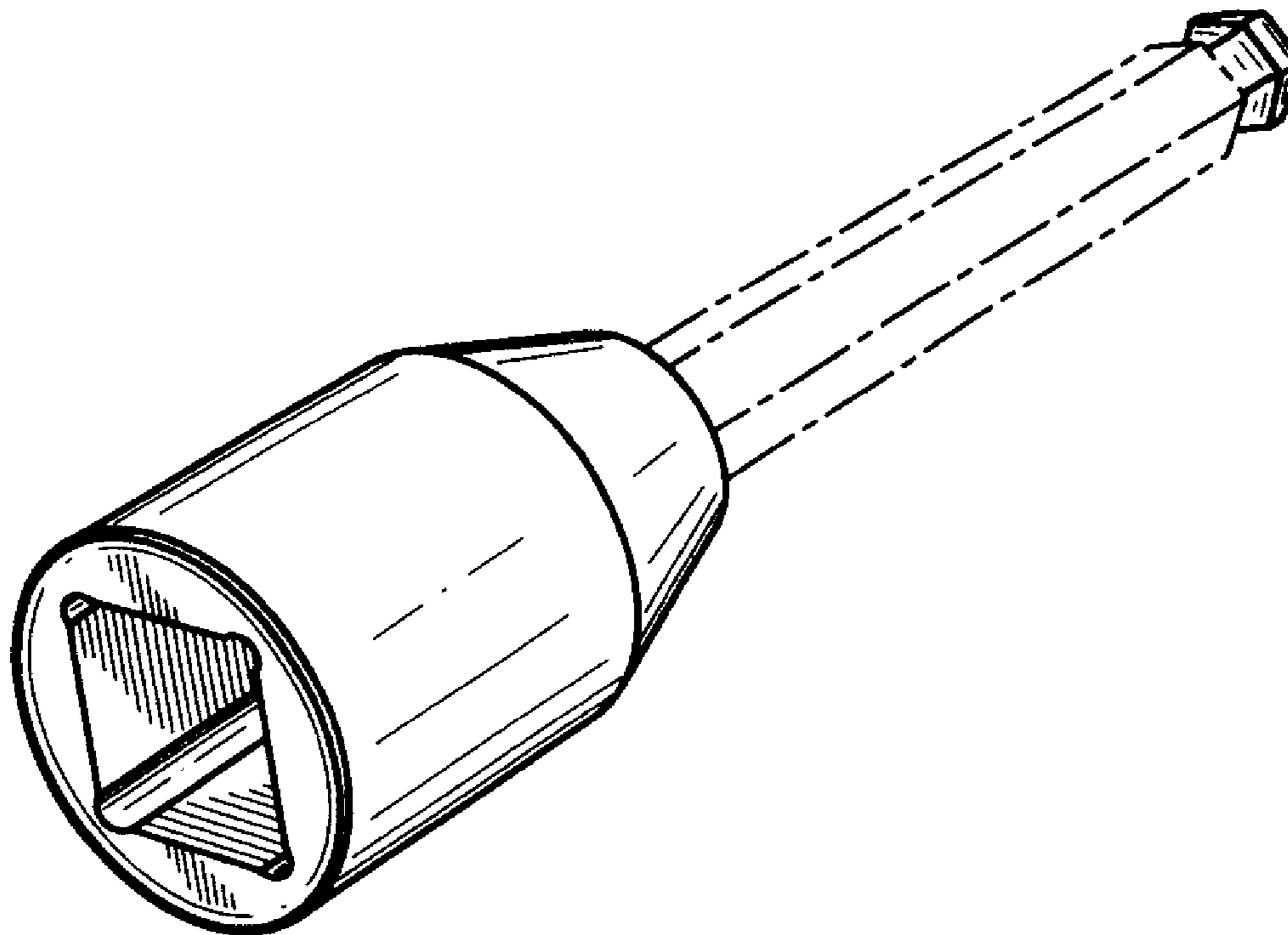
FIG. 3 is a top plan view thereof;

FIG. 4 is a right side elevational view thereof, the left side elevational view being a mirror image; and,

FIG. 5 is a bottom plan view thereof.

All broken lines are for illustrative purposes only, and form no part of the claimed design.

1 Claim, 2 Drawing Sheets



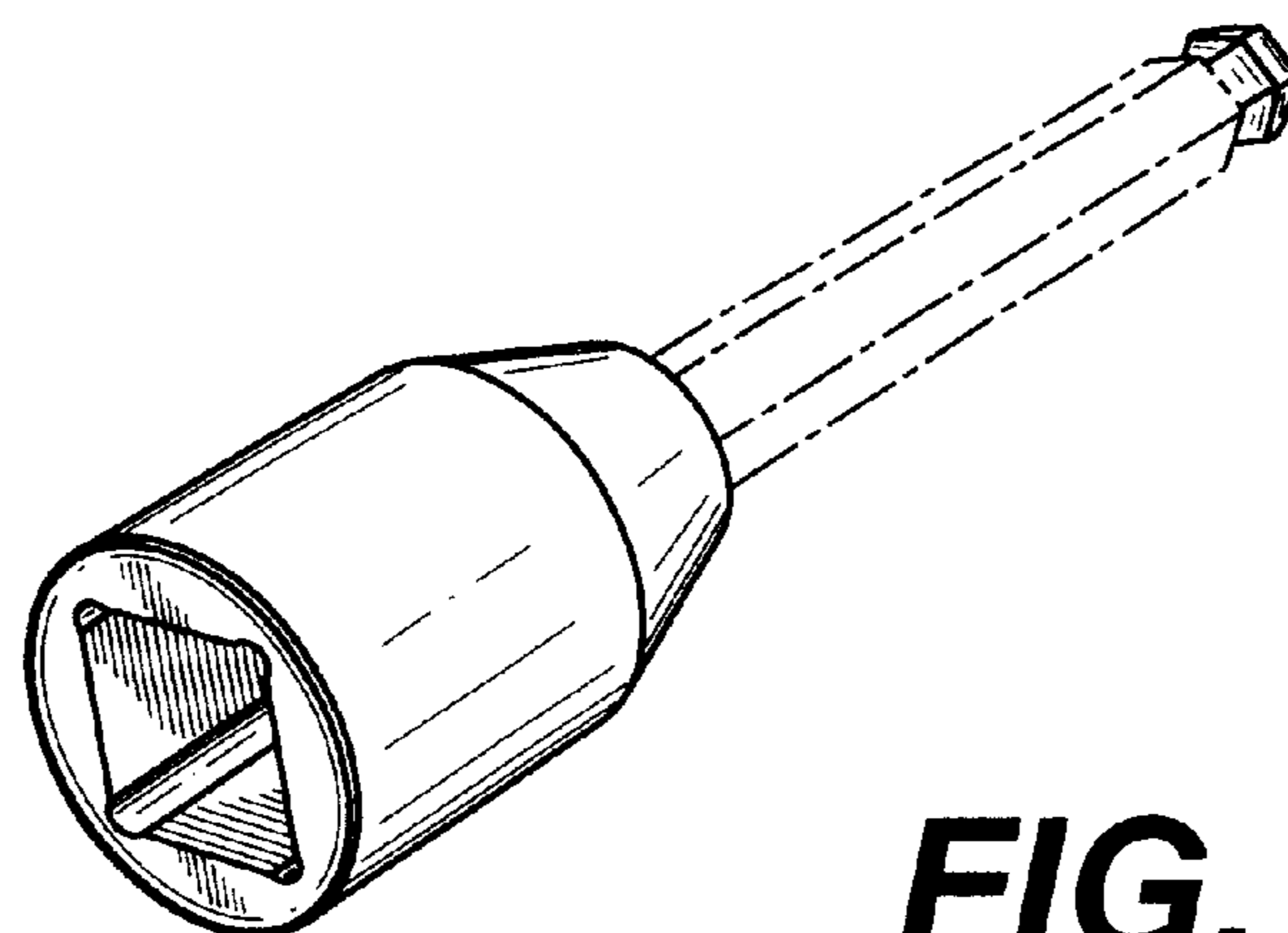


FIG. 1

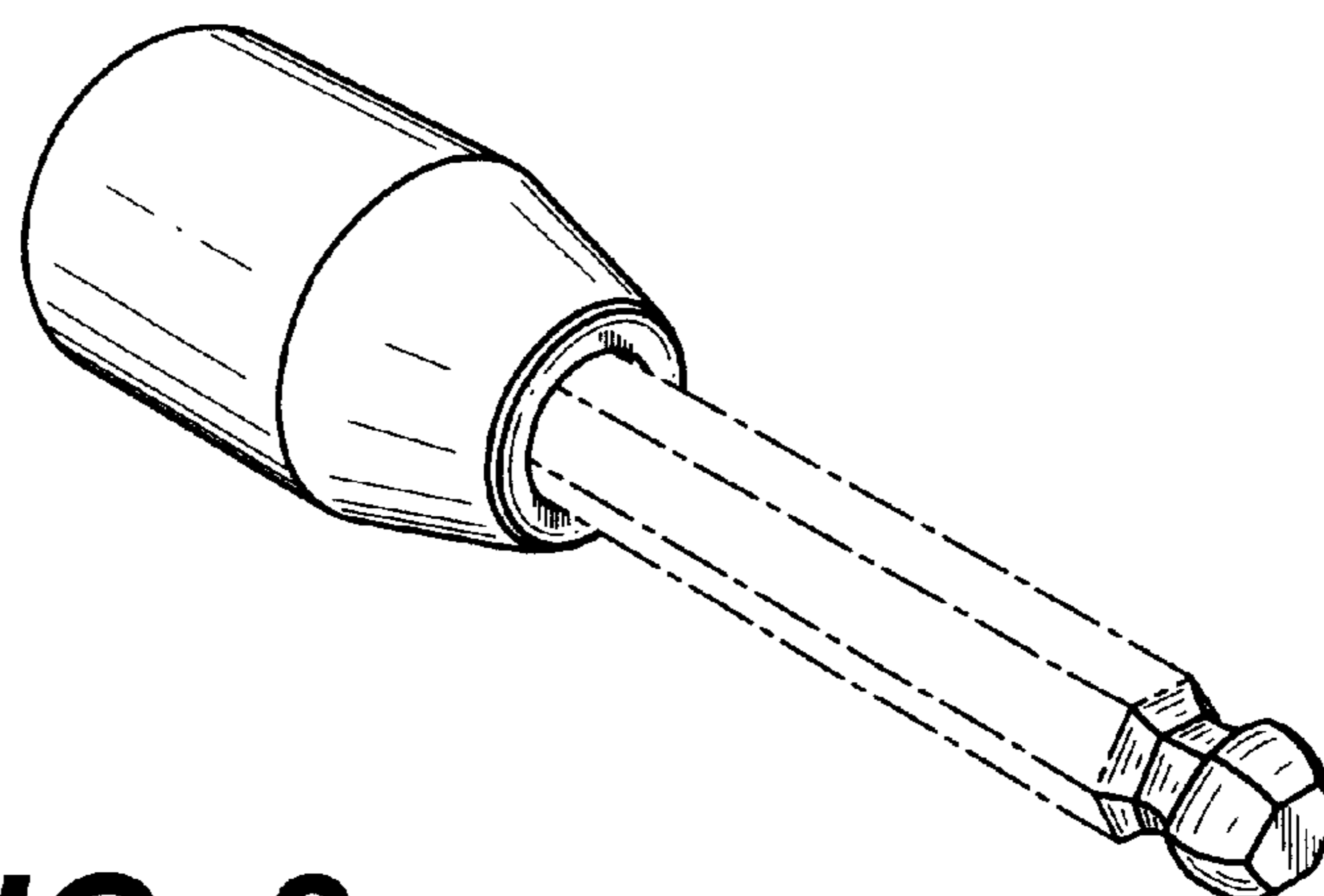


FIG. 2

FIG. 3

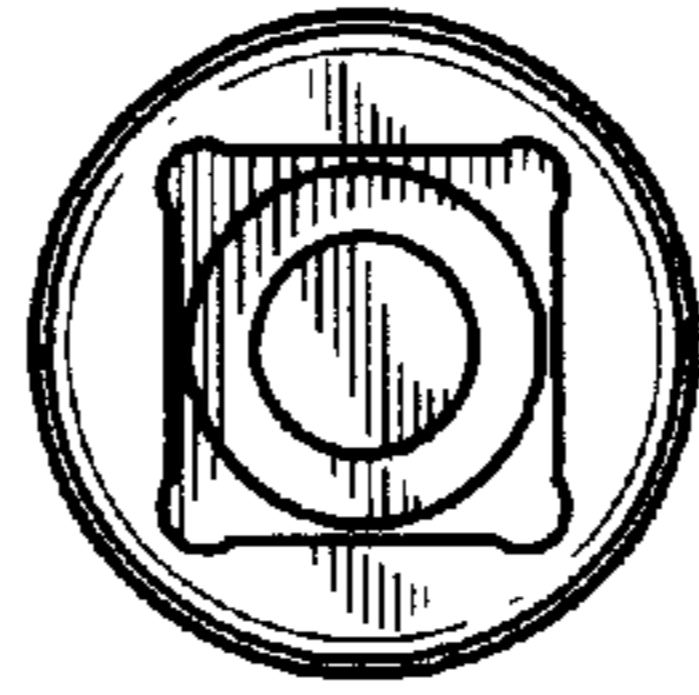


FIG. 4

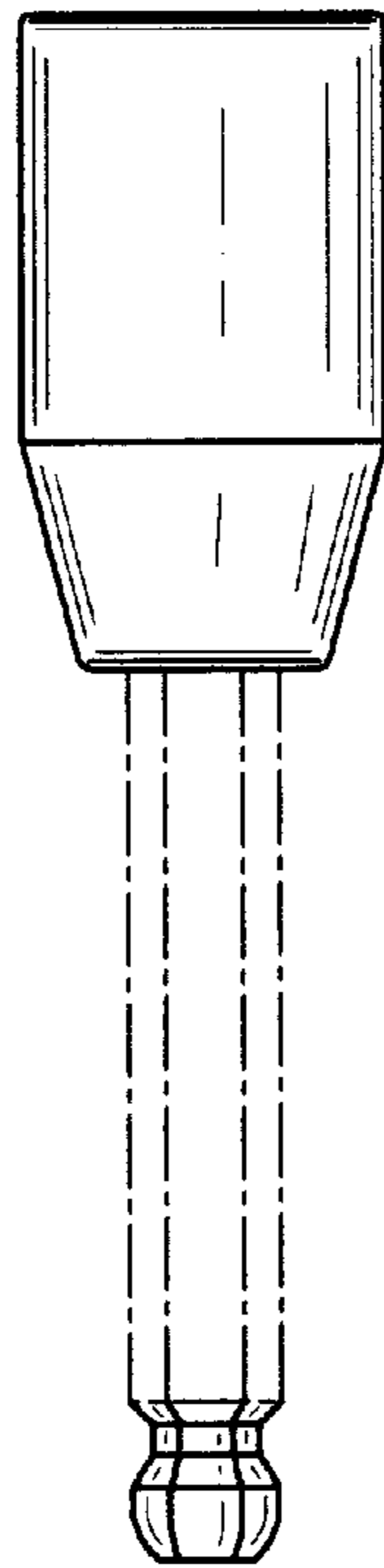


FIG. 5

