

US00D525833S

(12) **United States Design Patent**  
**Segal**

(10) **Patent No.:** **US D525,833 S**

(45) **Date of Patent:** **\*\* Aug. 1, 2006**

(54) **CHOPSTICKS STAND**

(76) **Inventor:** **Paul Segal**, 29251 Paompano Way,  
Laguna Niguel, CA (US) 92677

(\*\*) **Term:** **14 Years**

(21) **Appl. No.:** **29/229,858**

(22) **Filed:** **May 13, 2005**

(51) **LOC (8) Cl.** ..... **07-06**

(52) **U.S. Cl.** ..... **D7/637**

(58) **Field of Classification Search** ..... D7/637-641;  
211/29, 85, 203, 205; 248/165, 166, 168,  
248/431, 188.5, 174

See application file for complete search history.

1,896,446 A	2/1933	Goeller	
2,512,099 A *	6/1950	Guenzl .....	248/431
2,710,733 A	6/1955	Phillips	
2,713,529 A	7/1955	Herrschaft	
2,749,147 A	6/1956	Herrschaft	
2,841,352 A	7/1958	Pappas	
3,267,889 A	8/1966	Bedol	
3,275,278 A	9/1966	Haydock	
3,396,933 A *	8/1968	Ward .....	248/431
4,026,266 A	5/1977	Cremer	
4,423,849 A	1/1984	Jordan	
D293,700 S *	1/1988	Rosewarne .....	D7/637
5,044,507 A	9/1991	Shulyak	
5,322,250 A *	6/1994	Wilhite, Jr. ....	248/166
6,135,557 A	10/2000	Gustafsson	
6,311,857 B1	11/2001	Al-Darraj	

\* cited by examiner

*Primary Examiner*—Terry A. Wallace

(74) *Attorney, Agent, or Firm*—Merek, Blackmon & Voorhees, LLC

(56) **References Cited**

**U.S. PATENT DOCUMENTS**

22,804 A	2/1859	Henshaw	
94,182 A	8/1869	Butler	
101,999 A	4/1870	Haines	
139,925 A	6/1873	Shaw	
221,356 A	11/1879	Rawson	
451,795 A	5/1891	Anderson	
583,013 A	5/1897	Ebert	
611,754 A	10/1898	Koelle	
664,976 A	1/1901	Sheffy et al.	
1,227,312 A *	5/1917	Rear .....	473/42
1,241,987 A	10/1917	Kalisz	
1,295,265 A	2/1919	Bradley	
1,371,263 A	3/1921	Reed	
D74,265 S *	1/1928	Houck .....	D7/641

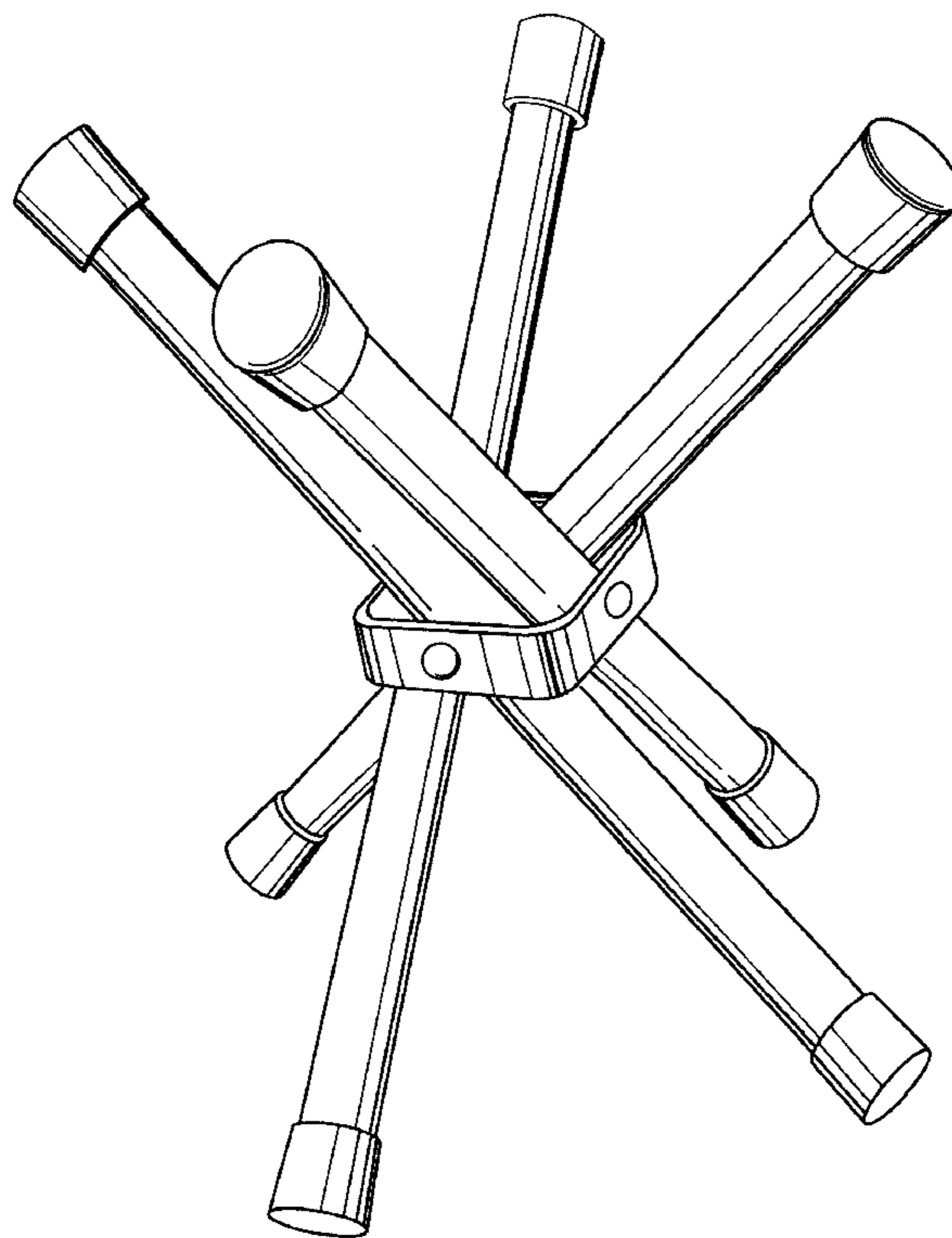
(57) **CLAIM**

The ornamental design for a chopsticks stand, as shown and described.

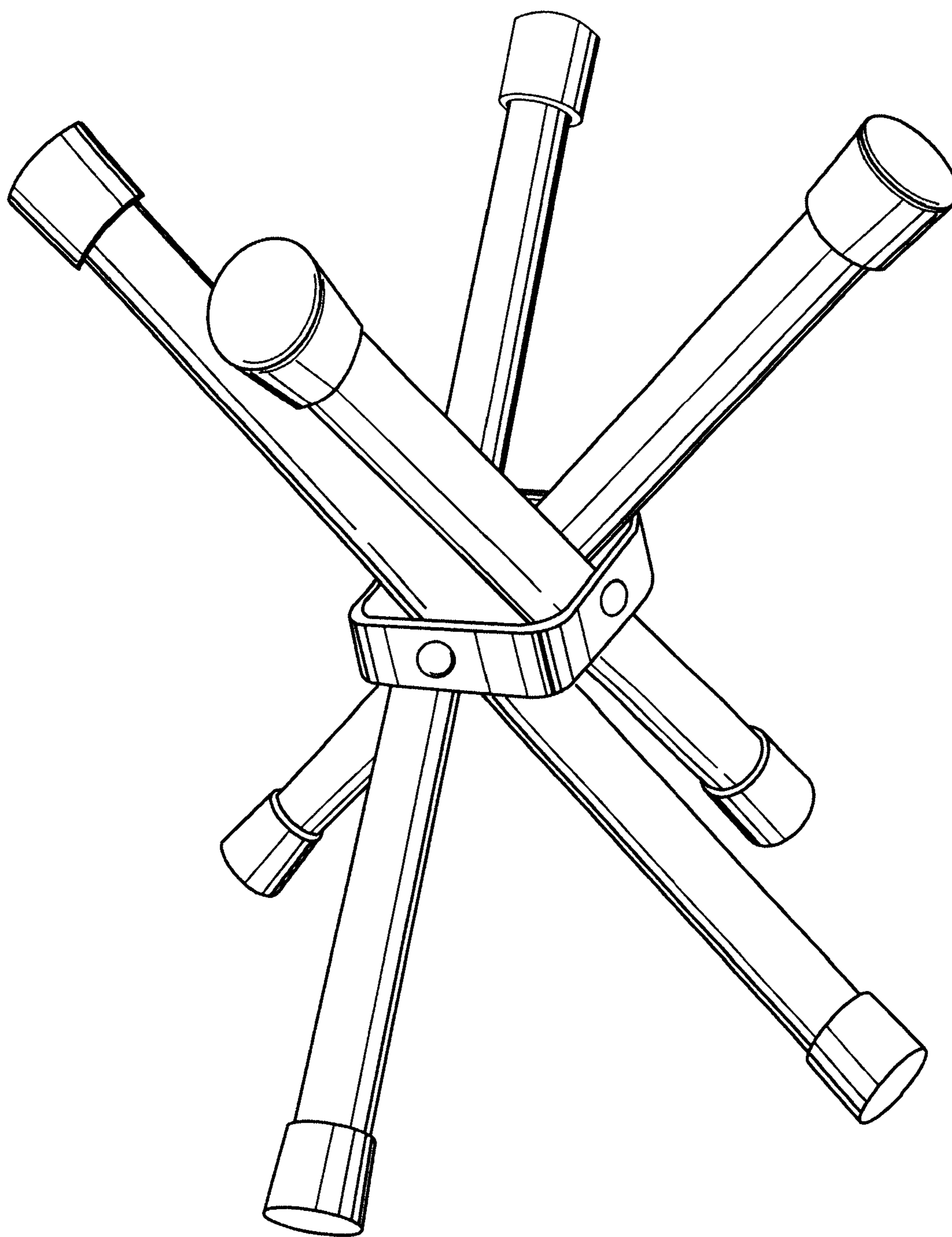
**DESCRIPTION**

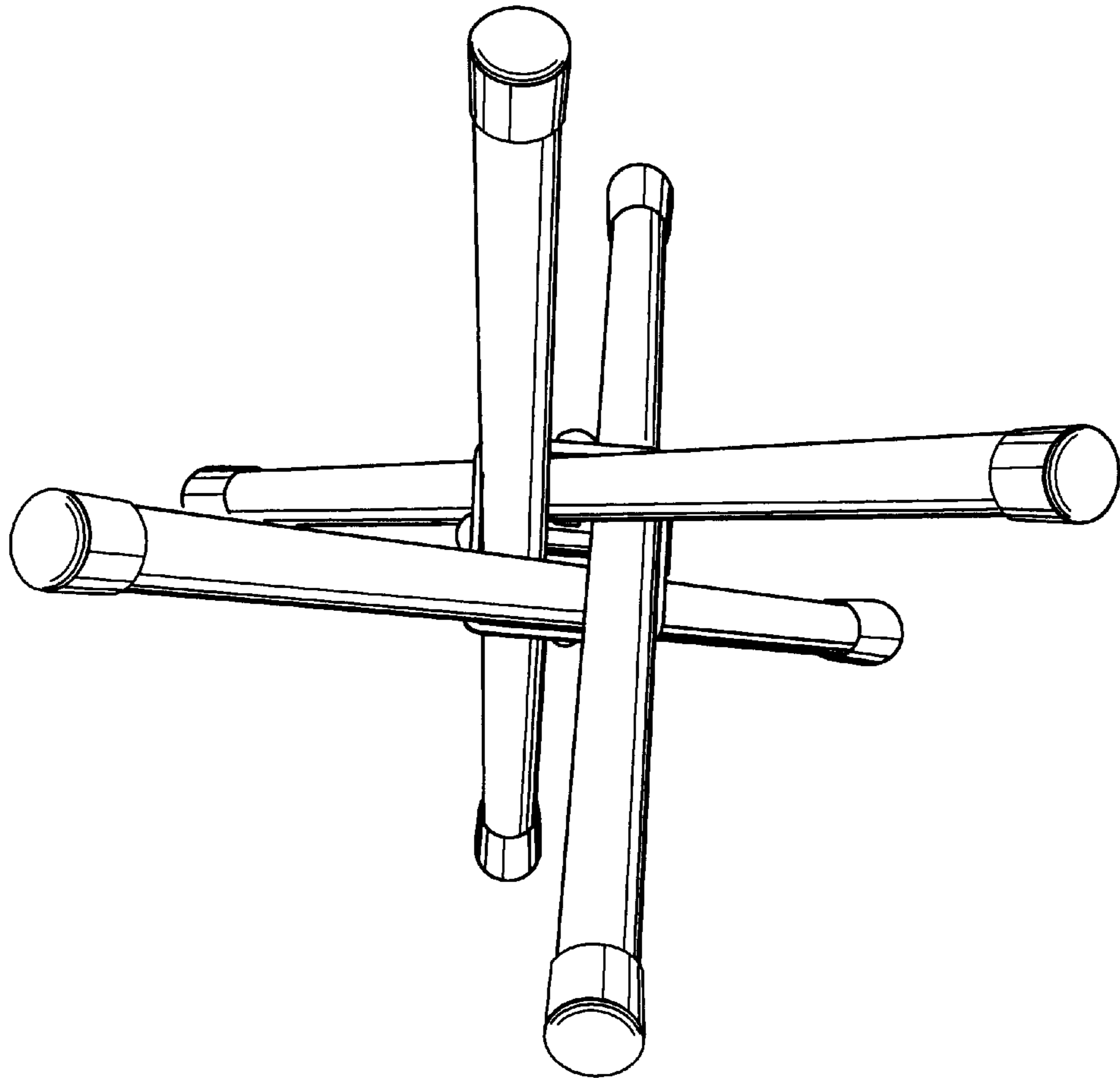
FIG. 1 is a perspective view of a chopsticks stand showing my new design;  
FIG. 2 is a top view thereof, with the bottom view being a mirror image thereof; and,  
FIG. 3 is a front elevational view thereof.

**1 Claim, 3 Drawing Sheets**

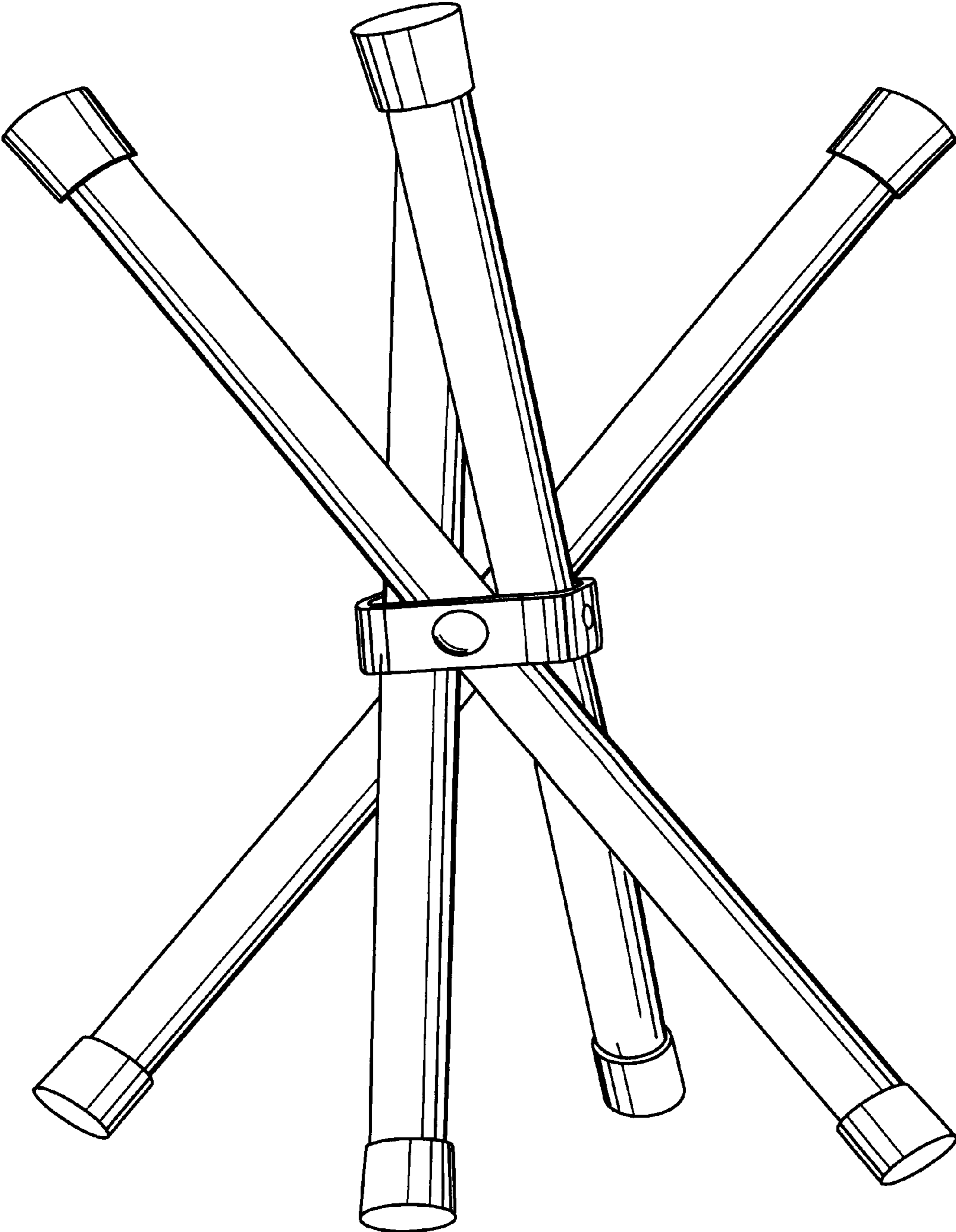


**Fig. 1**





**Fig. 2**



**Fig. 3**