



US00D525830S

(12) **United States Design Patent**  
**Pryor**

(10) **Patent No.:** **US D525,830 S**

(45) **Date of Patent:** **\*\* Aug. 1, 2006**

(54) **MINI OVEN DOOR**

(75) **Inventor:** **James Edward Pryor**, Clarksville, TN  
(US)

(73) **Assignee:** **Electrolux Home Products, Inc.**,  
Cleveland, OH (US)

(\*\*) **Term:** **14 Years**

(21) **Appl. No.:** **29/227,723**

(22) **Filed:** **Apr. 14, 2005**

(51) **LOC (8) Cl.** ..... **07-02**

(52) **U.S. Cl.** ..... **D7/405**

(58) **Field of Classification Search** ..... D7/339-341,  
D7/346-349, 402, 405, 406; 126/21 A, 39 B,  
126/39 R; 219/391-392, 400, 449-450  
See application file for complete search history.

(56) **References Cited**

**U.S. PATENT DOCUMENTS**

D375,867 S \* 11/1996 Sparks ..... D7/340  
D429,954 S \* 8/2000 Orzel et al. .... D7/405

D470,720 S \* 2/2003 Jones et al. .... D7/405  
D477,177 S \* 7/2003 Jeong ..... D7/340  
D491,411 S \* 6/2004 De Mello ..... D7/340  
D495,919 S \* 9/2004 De Mello ..... D7/340

\* cited by examiner

*Primary Examiner*—Robert A. Delehanty

*Assistant Examiner*—Mark Cavanna

(74) *Attorney, Agent, or Firm*—Pearne & Gordon LLP

(57) **CLAIM**

The ornamental design for a mini oven door, as shown and described.

**DESCRIPTION**

FIG. 1 is a front perspective view of a first embodiment for an upper oven door and a lower mini oven door having a window therein;

FIG. 2 is a front view thereof;

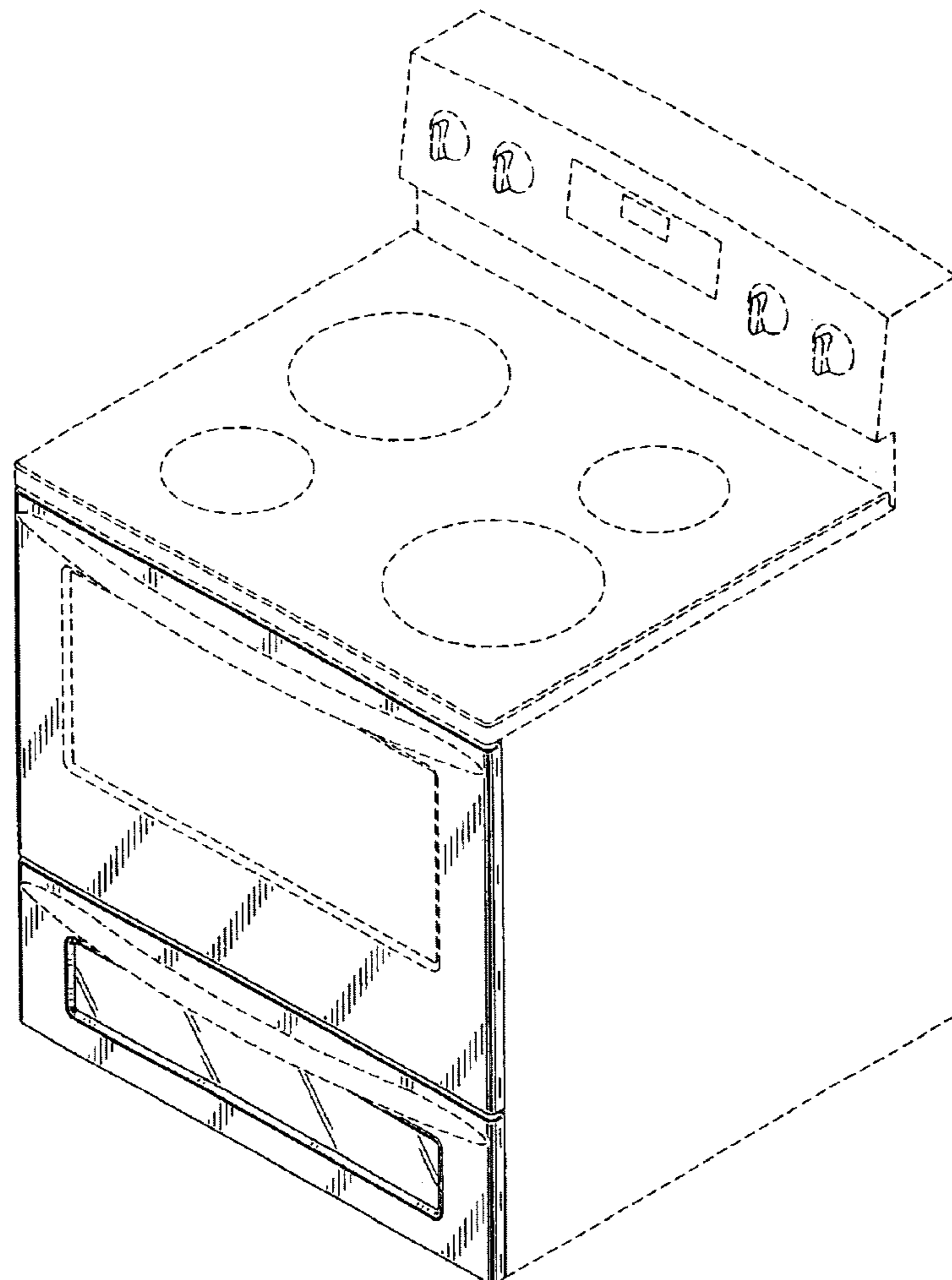
FIG. 3 is a left side view thereof;

FIG. 4 is a right side view thereof;

FIG. 5 is a top view thereof; and,

FIG. 6 is a bottom view thereof.

**1 Claim, 6 Drawing Sheets**



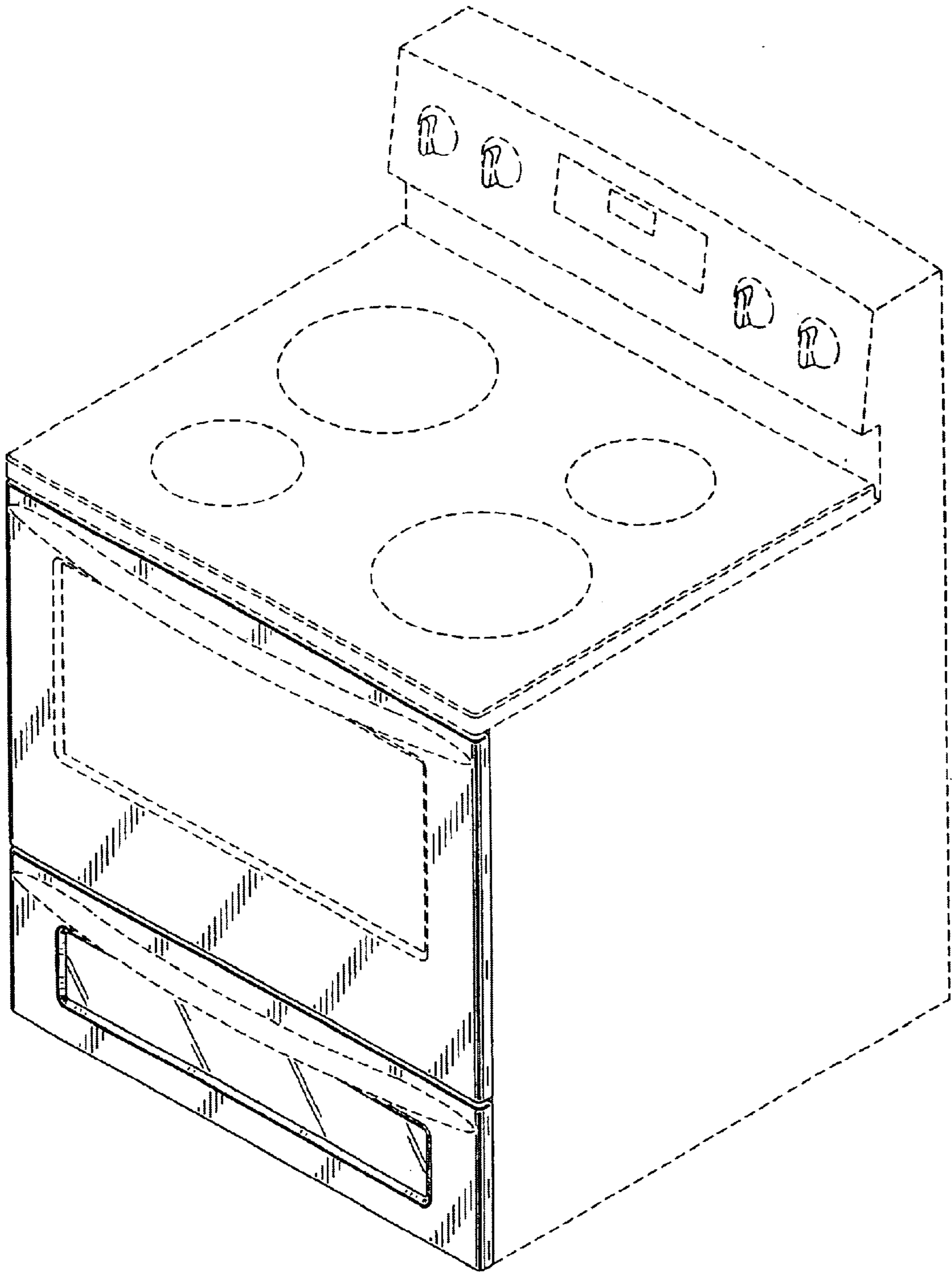


FIG. 1

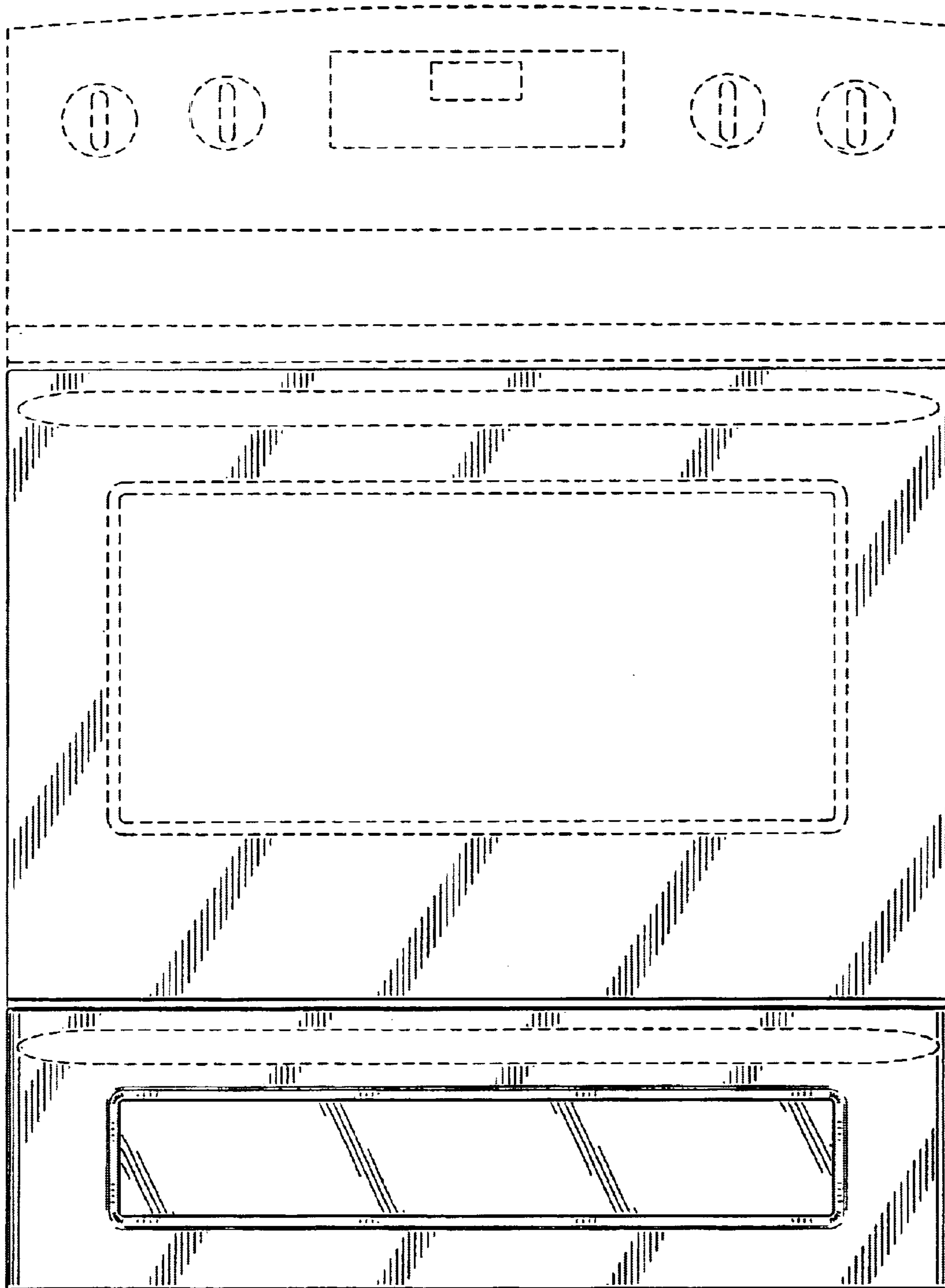


FIG. 2

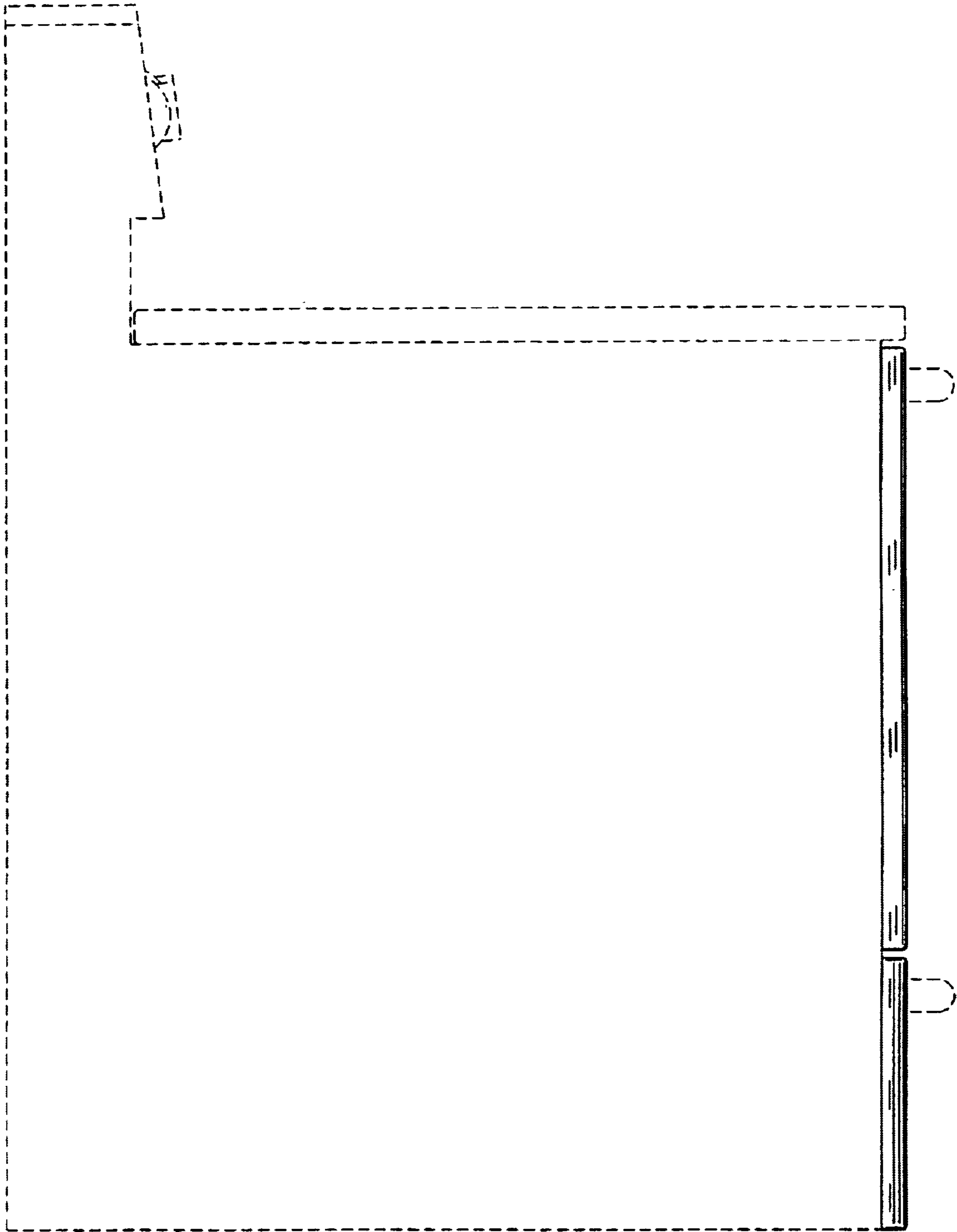


FIG. 3

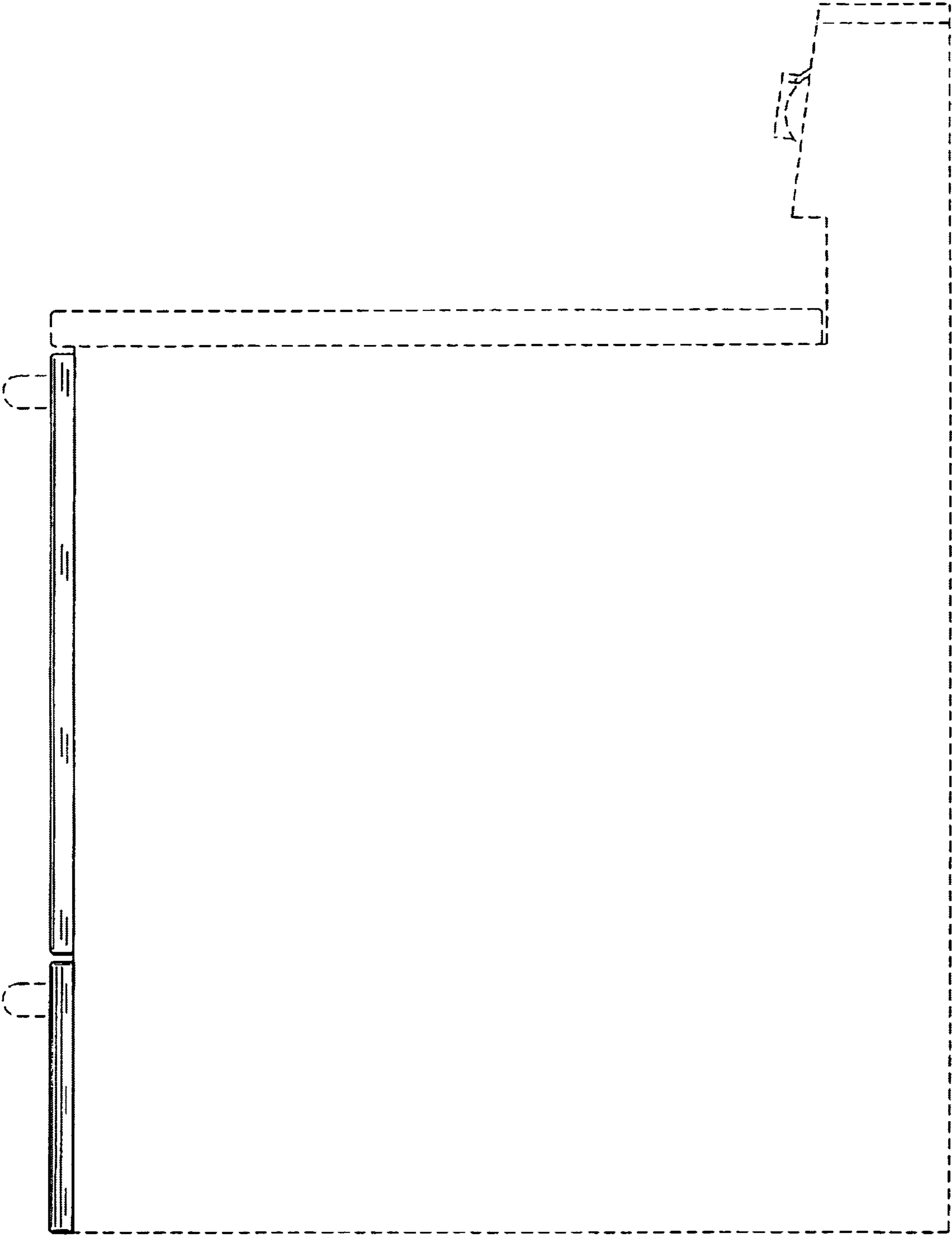


FIG. 4

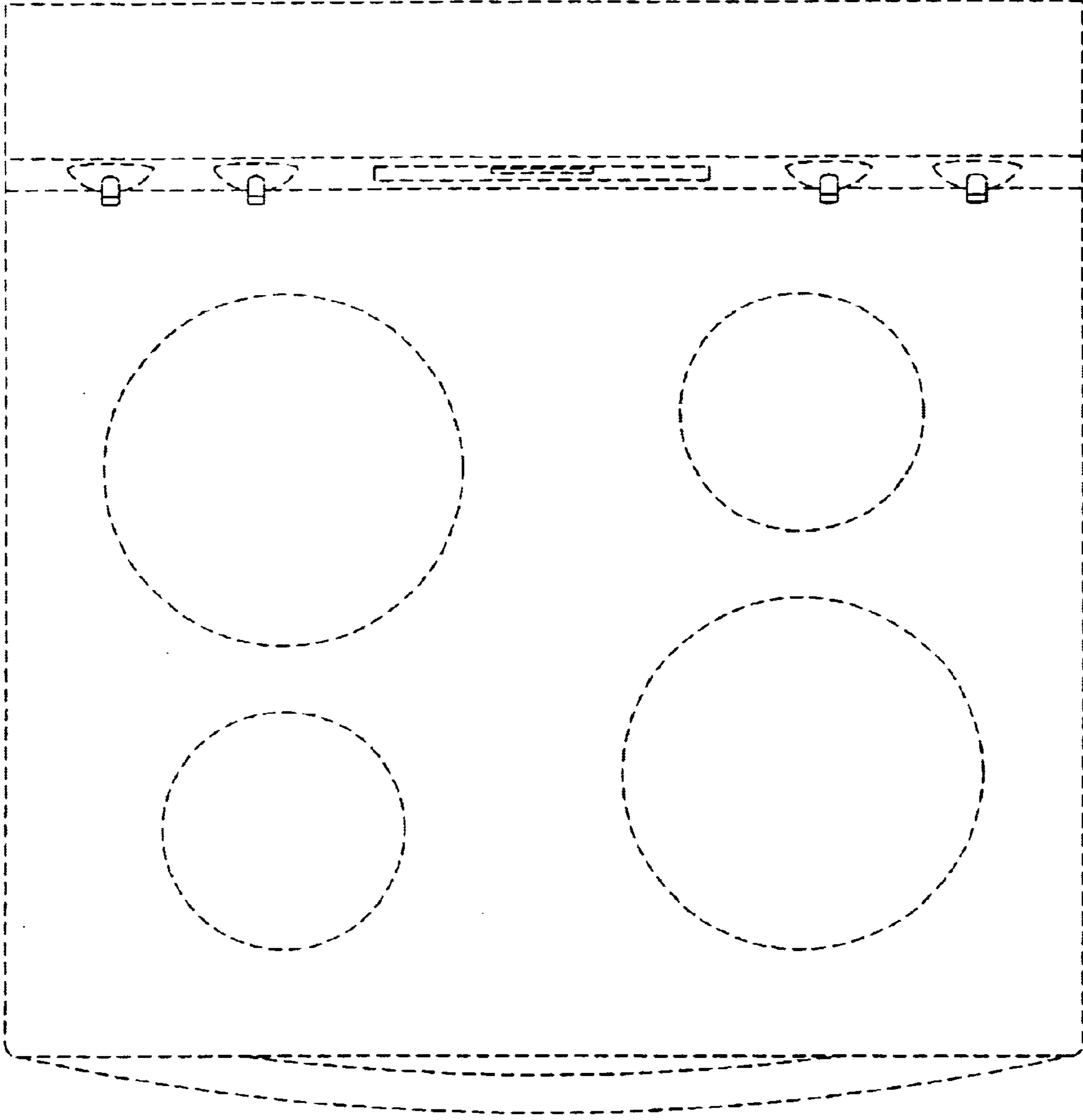


FIG. 5

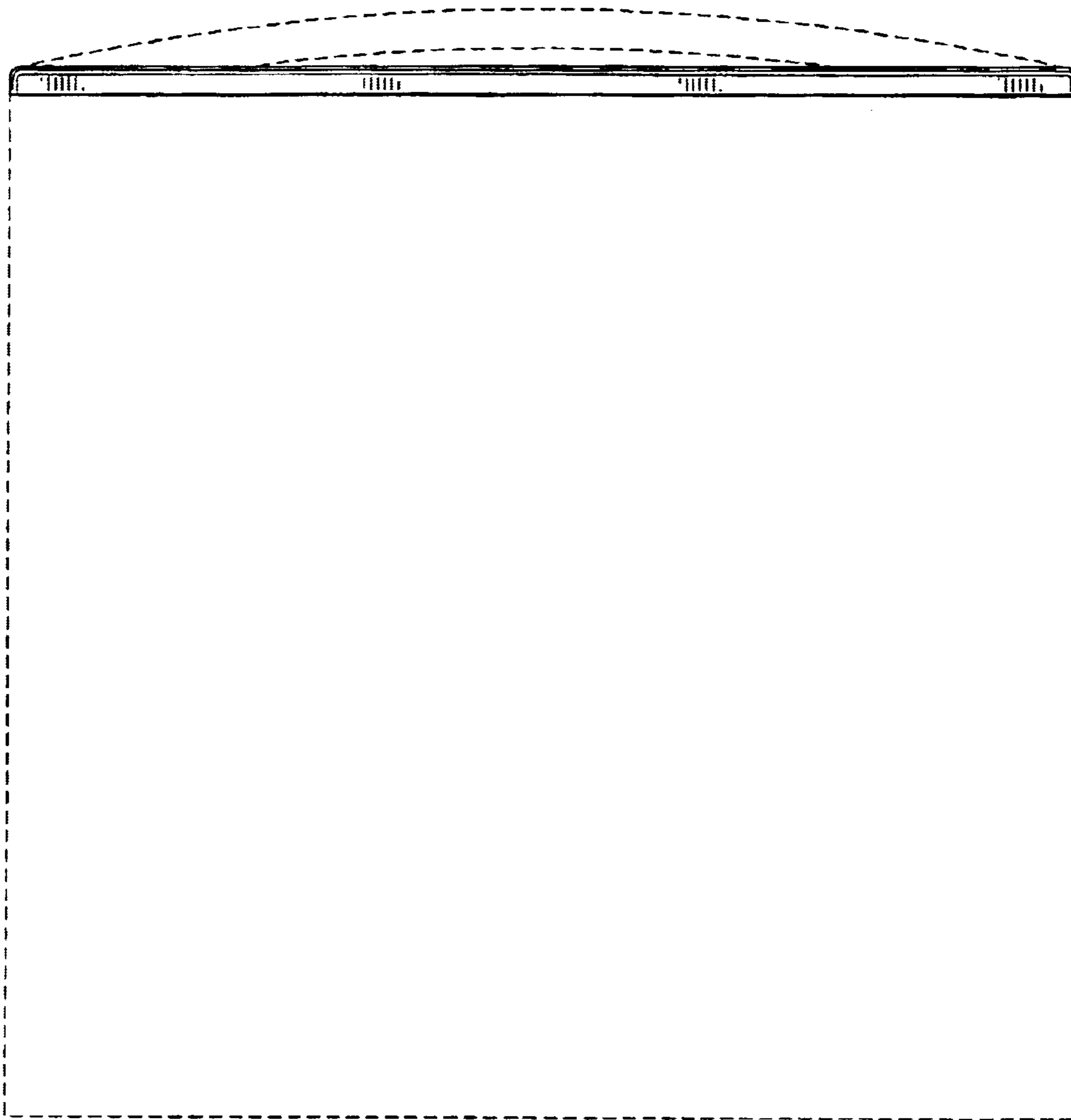


FIG. 6