



US00D525829S

(12) **United States Design Patent**
Chung

(10) **Patent No.:** **US D525,829 S**

(45) **Date of Patent:** **** Aug. 1, 2006**

(54) **BARBECUE GRILL**

(76) Inventor: **Kiosky Chung**, 8F-1, No. 497,
Jhongming S. Rd., West District,
Taichung City (TW), 403

(**) Term: **14 Years**

(21) Appl. No.: **29/223,687**

(22) Filed: **Feb. 17, 2005**

(51) **LOC (8) Cl.** **07-02**

(52) **U.S. Cl.** **D7/402**

(58) **Field of Classification Search** D7/332,
D7/334-337, 402-405; 126/25 R, 25 A,
126/25 AA, 25 B, 29-30, 41 R, 38, 37 R,
126/9 R, 40, 50, 304 R, 305; 99/419, 421 R,
99/444, 450; 312/140.1, 140.3, 236; 248/129;
108/44, 519

See application file for complete search history.

(56) **References Cited**

U.S. PATENT DOCUMENTS

D455,045 S	*	4/2002	Liao	D7/402
D465,123 S	*	11/2002	Coleman et al.	D7/334
D465,693 S	*	11/2002	Coleman et al.	D7/334
D470,357 S	*	2/2003	Home	D7/334
D475,235 S	*	6/2003	Home	D7/334
D485,467 S	*	1/2004	Pai	D7/334

D497,280 S	*	10/2004	Pai	D7/334
D499,928 S	*	12/2004	Zhang	D7/334
D501,116 S	*	1/2005	Zhang	D7/334
D501,753 S	*	2/2005	Pai	D7/334
D503,065 S	*	3/2005	Pai	D7/334
D508,363 S	*	8/2005	Chung	D7/334

* cited by examiner

Primary Examiner—Ruth McInroy

(74) *Attorney, Agent, or Firm*—Charles E. Baxley

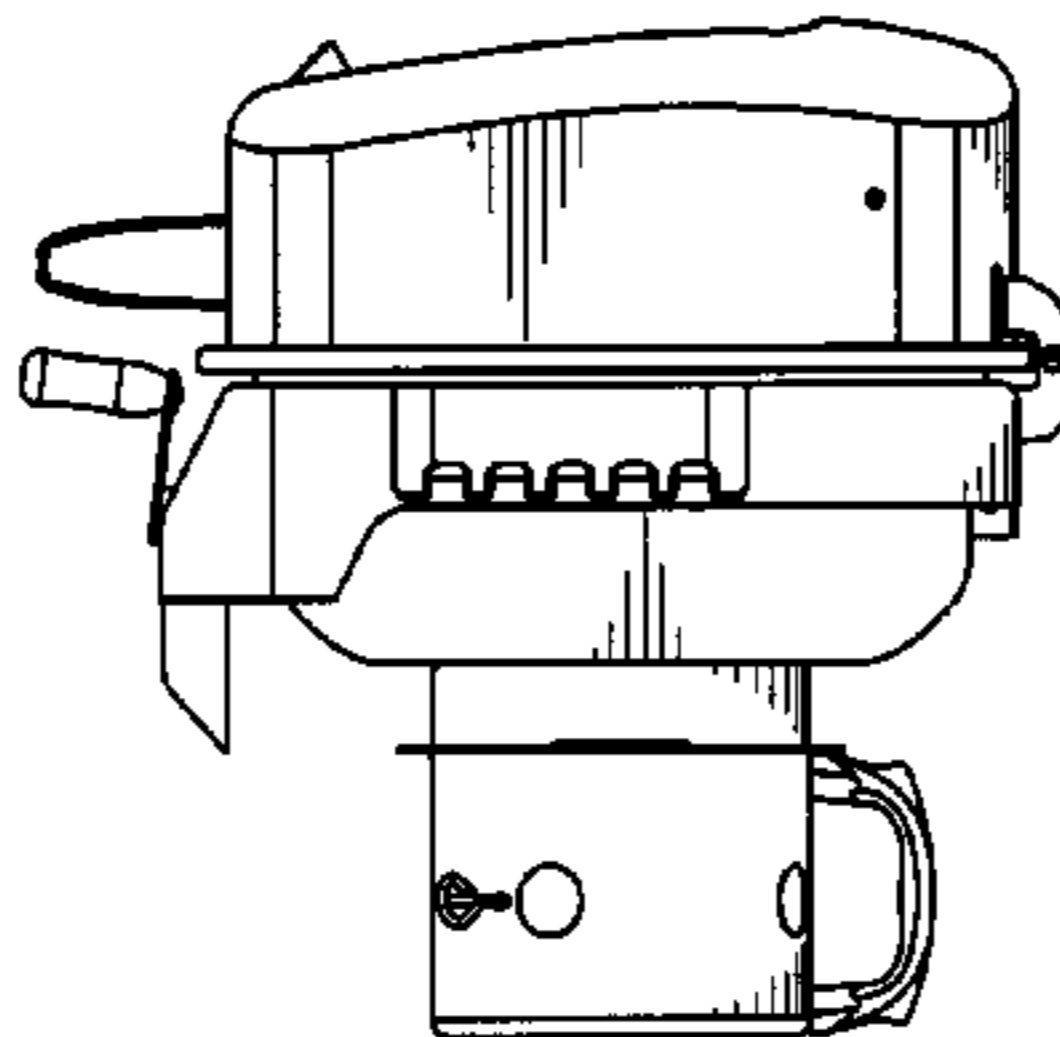
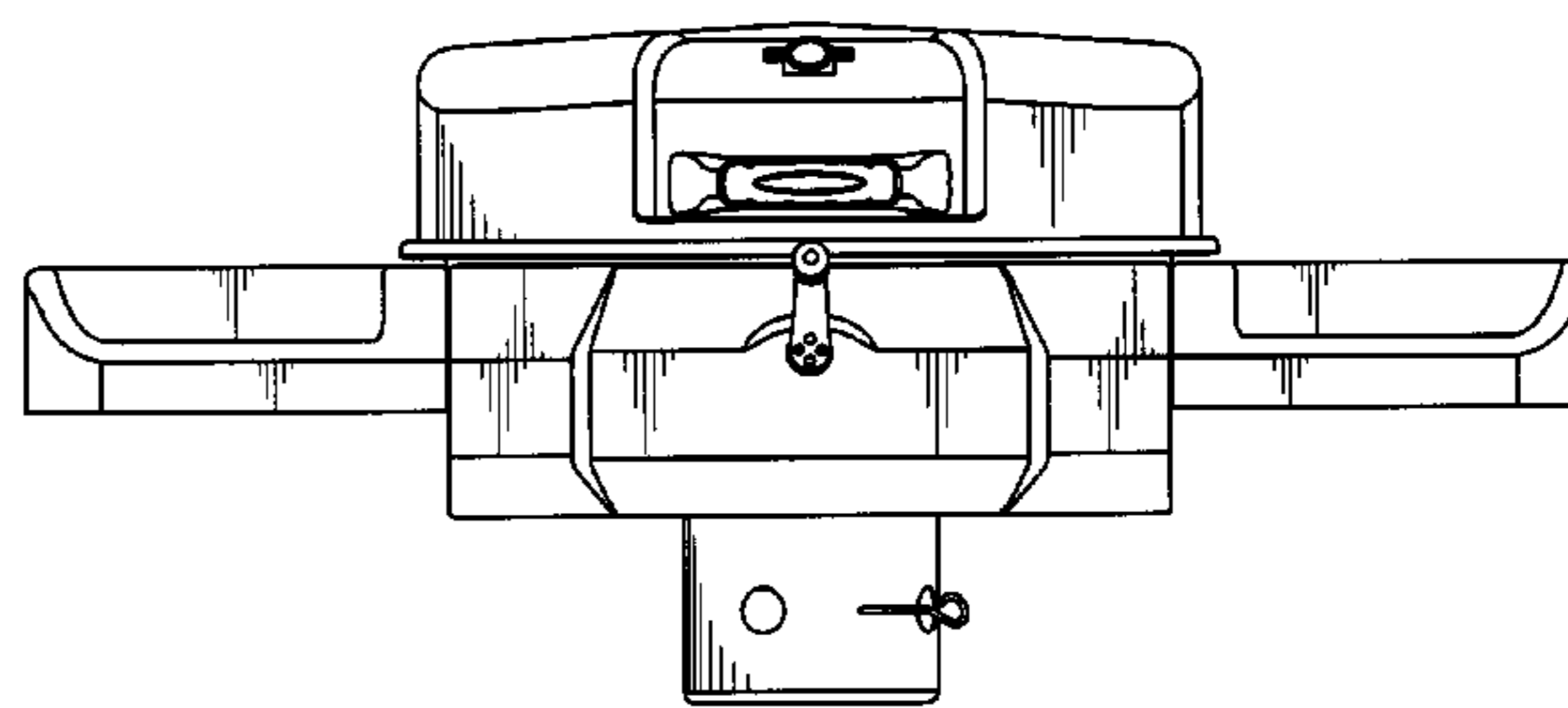
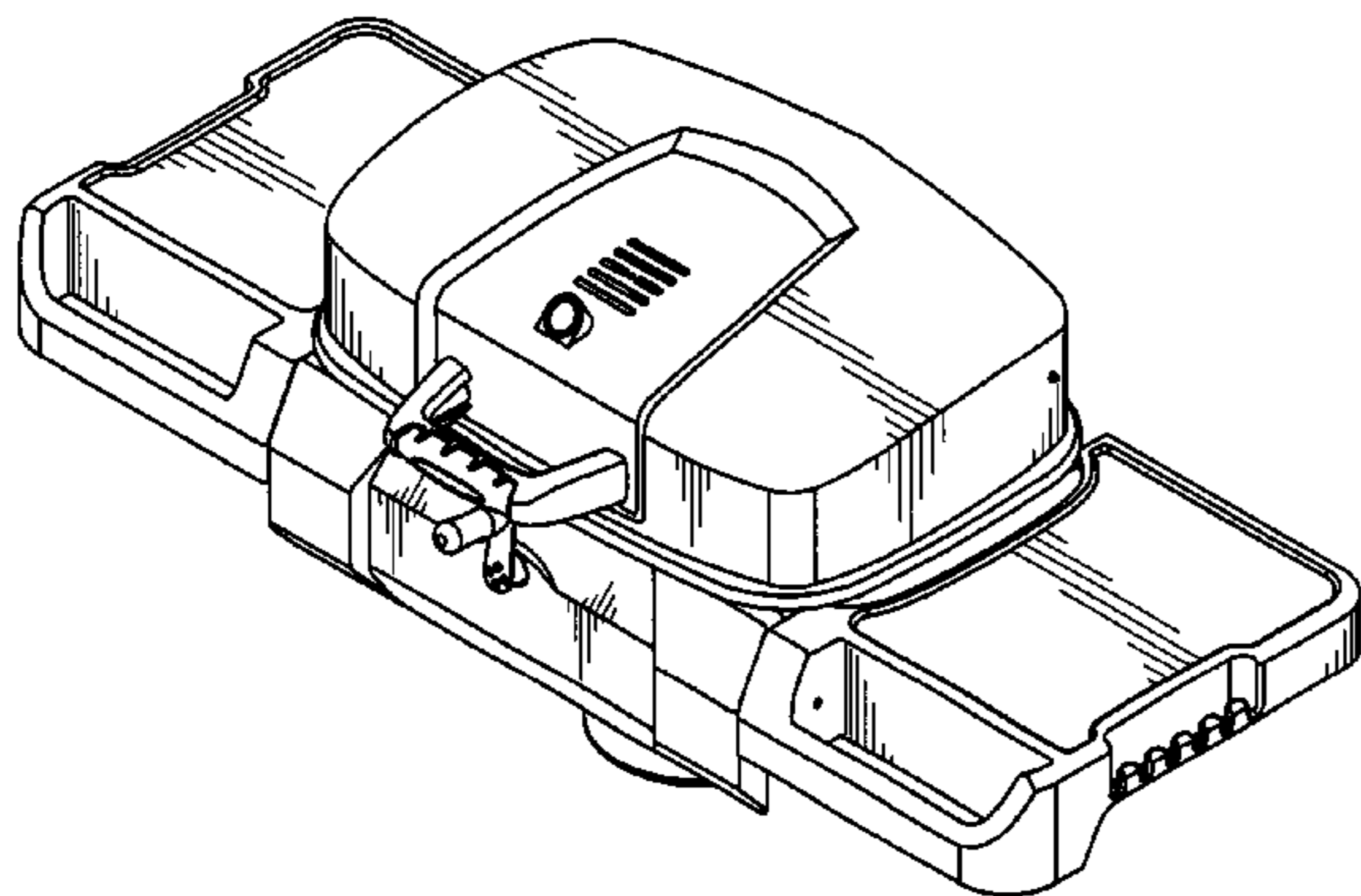
(57) **CLAIM**

I claim the ornamental design for a barbecue grill, as shown and described.

DESCRIPTION

FIG. 1 is a front-right-top perspective view of a barbecue grill, showing my new design;
 FIG. 2 is a front elevational view thereof;
 FIG. 3 is a rear elevational view thereof;
 FIG. 4 is a left side elevational view thereof;
 FIG. 5 is a right side elevational view thereof;
 FIG. 6 is a top plan view thereof;
 FIG. 7 is a bottom plan view thereof; and,
 FIG. 8 is a perspective view showing an embodiment of the claimed design wherein the broken lines are shown for illustrative purposes only and form no part of the claimed design.

1 Claim, 8 Drawing Sheets



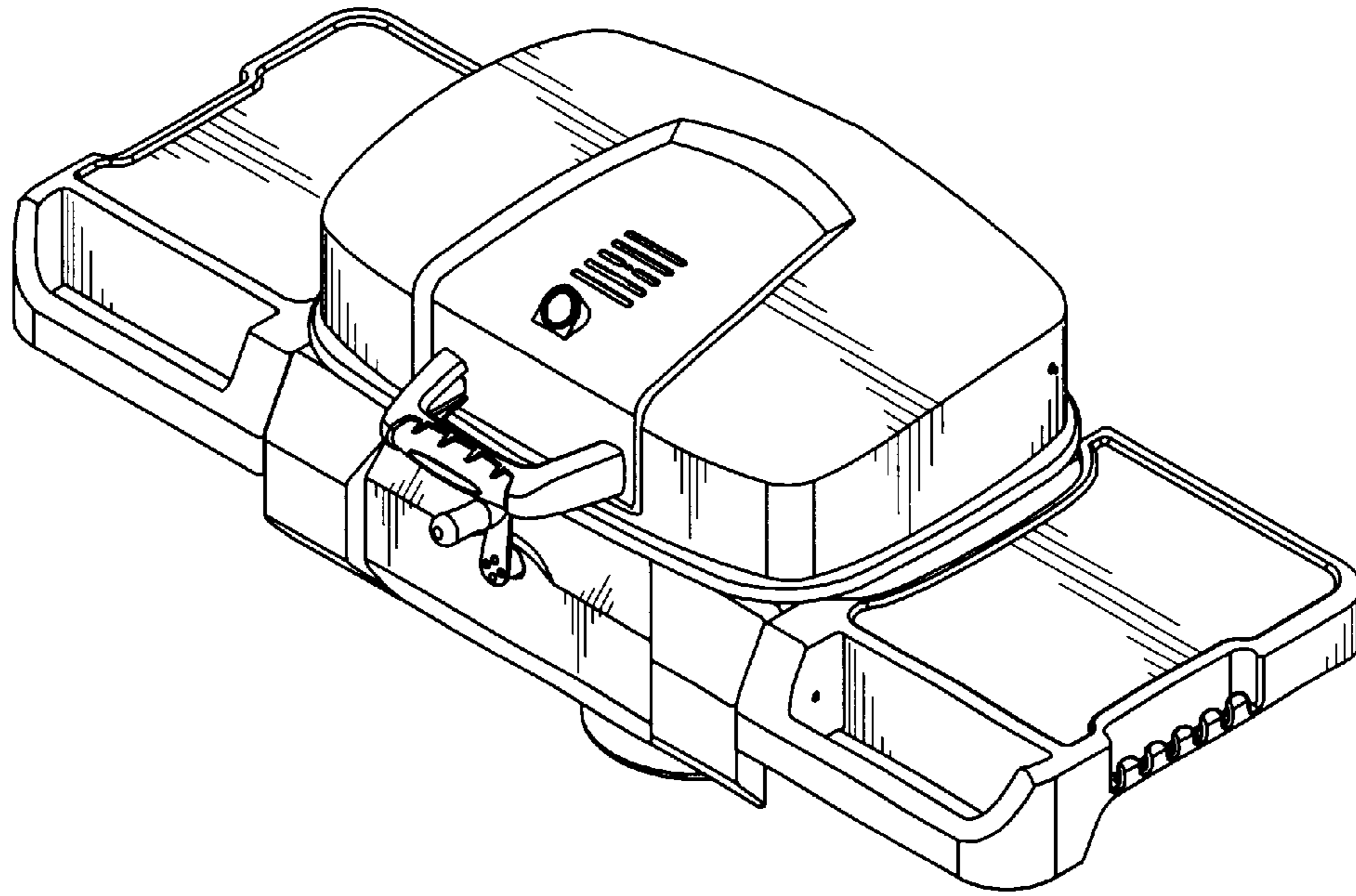


FIG. 1

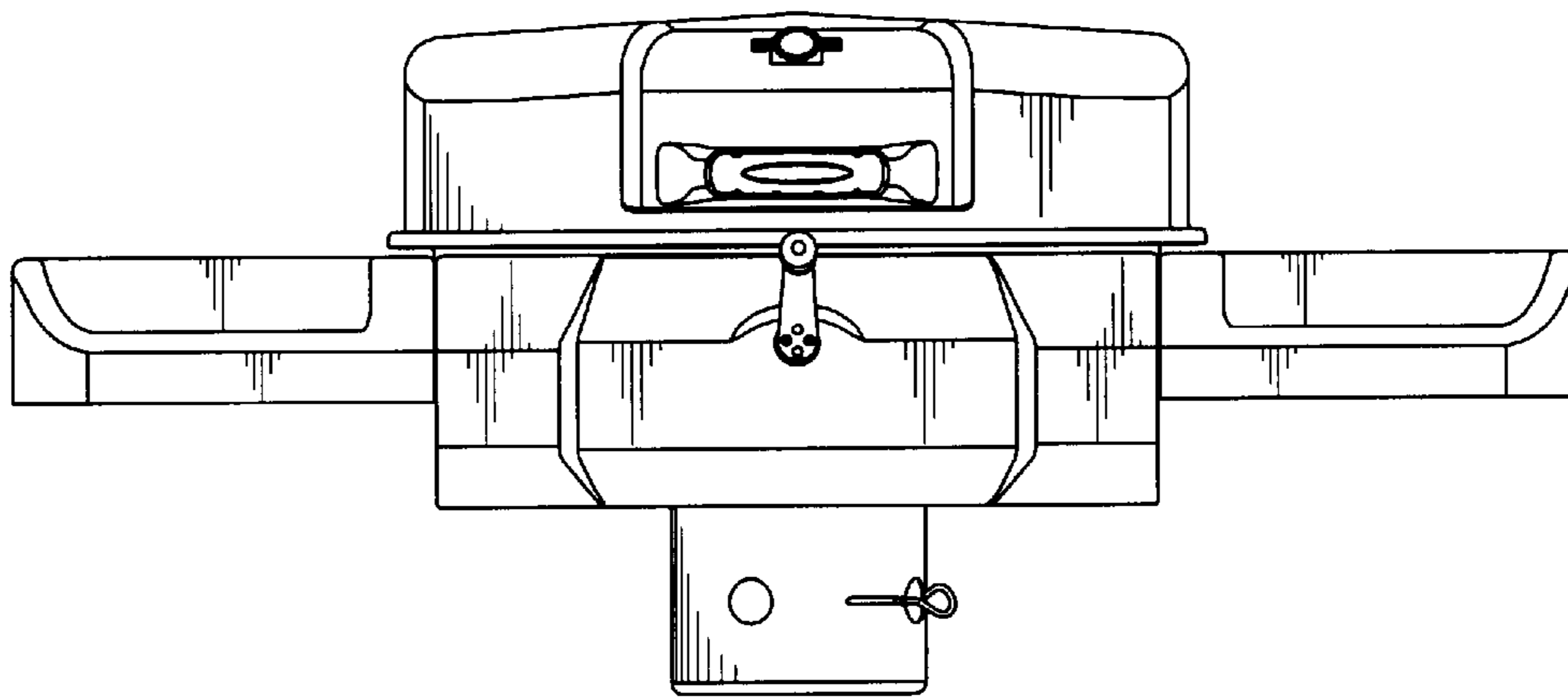


FIG. 2

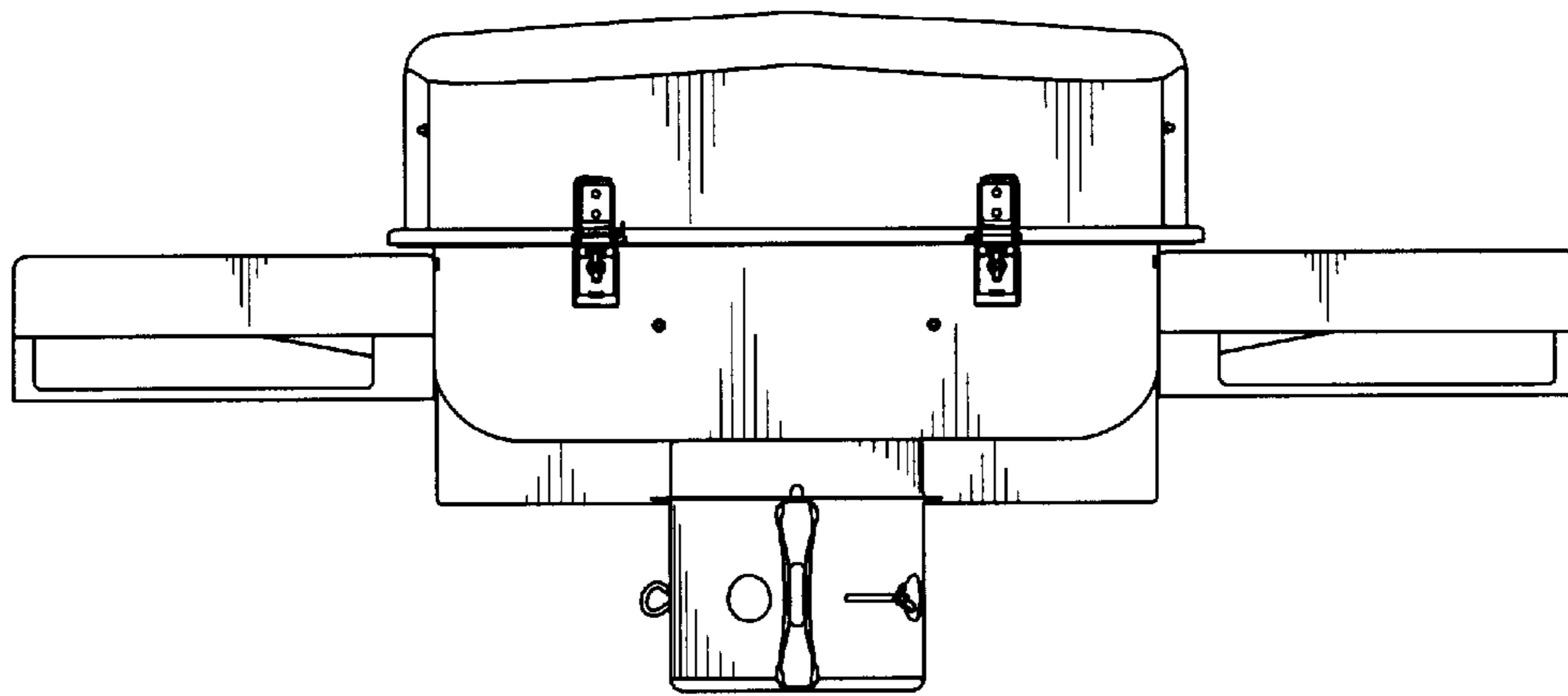


FIG. 3

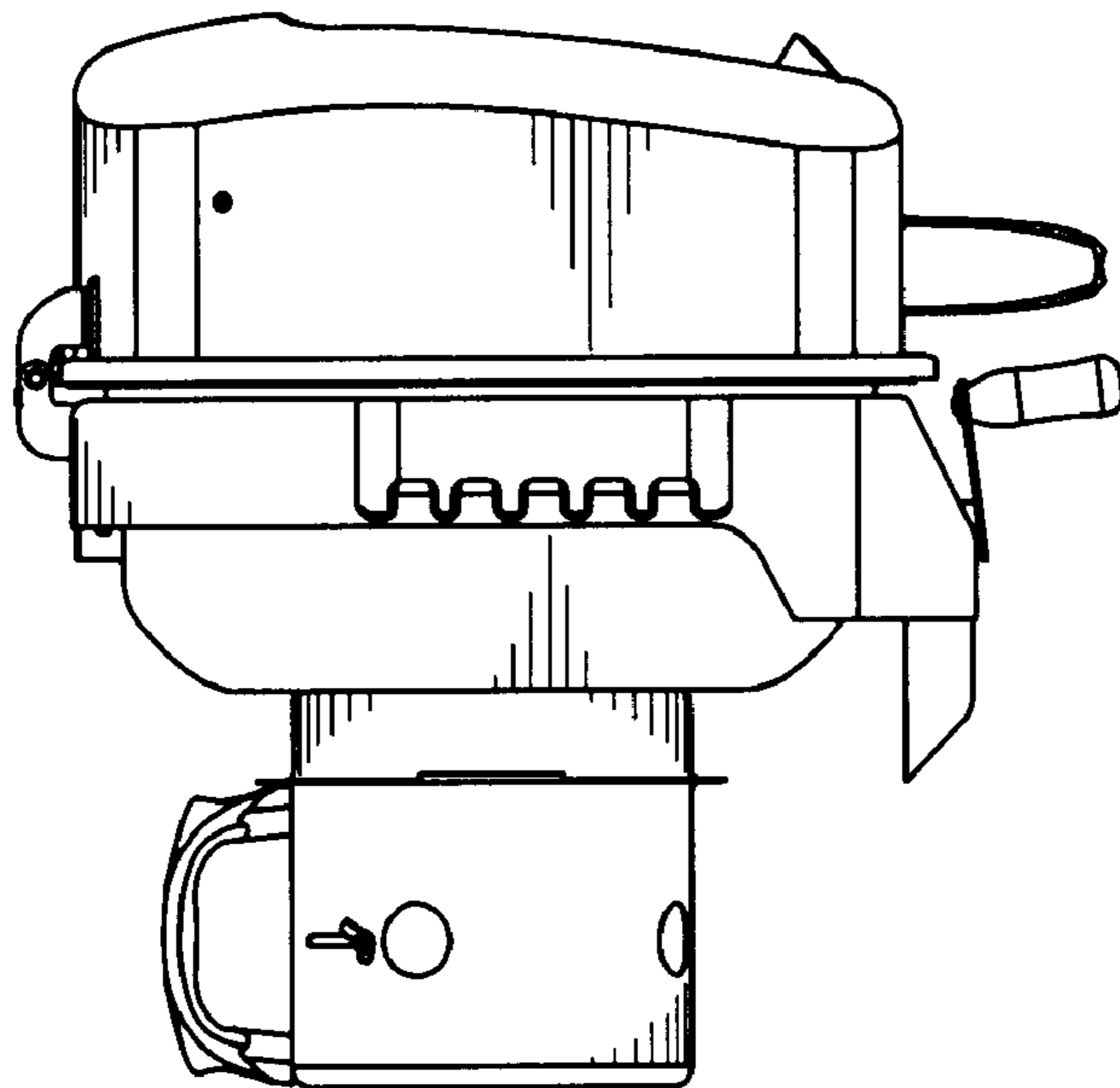


FIG. 4

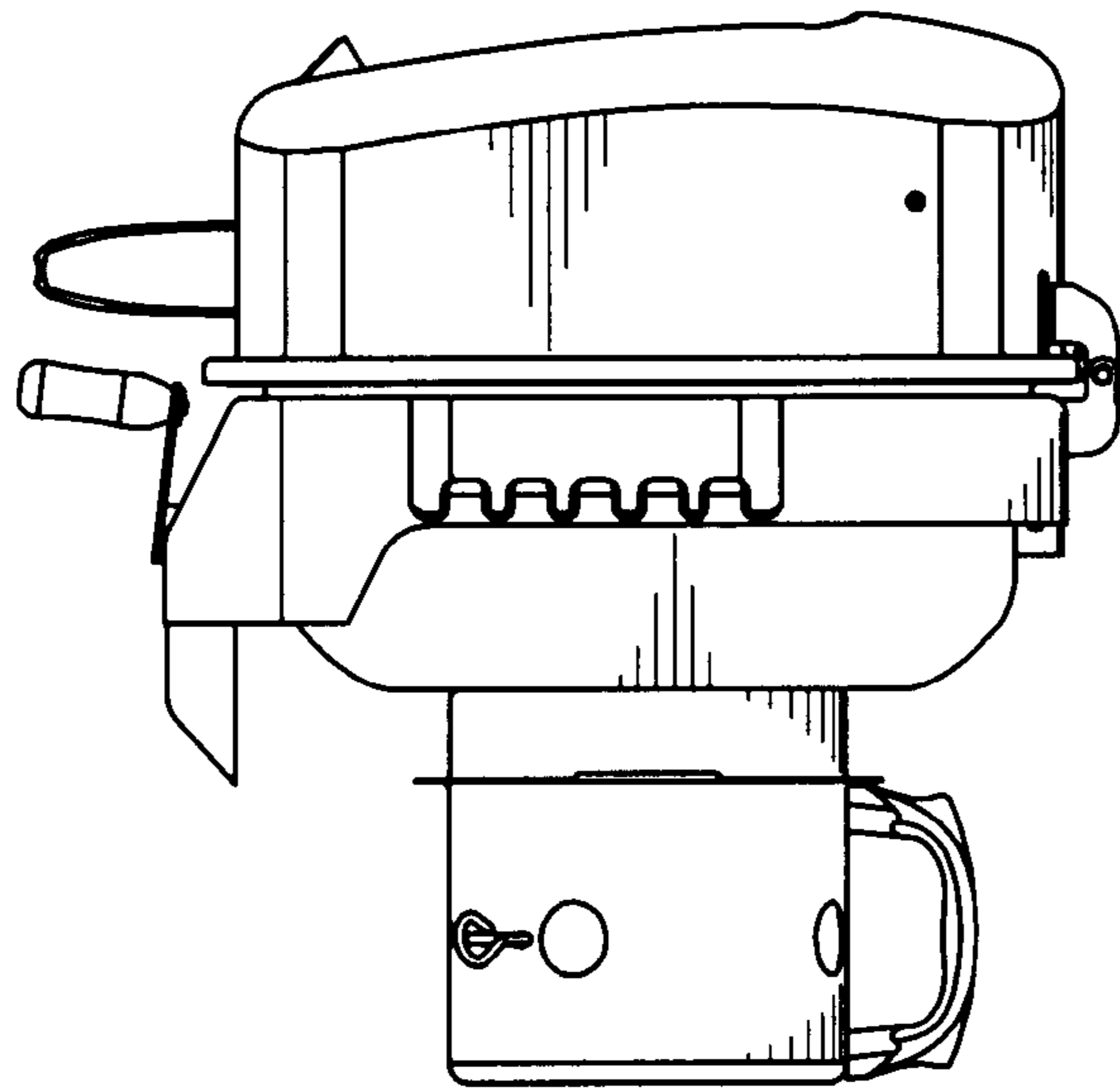


FIG. 5

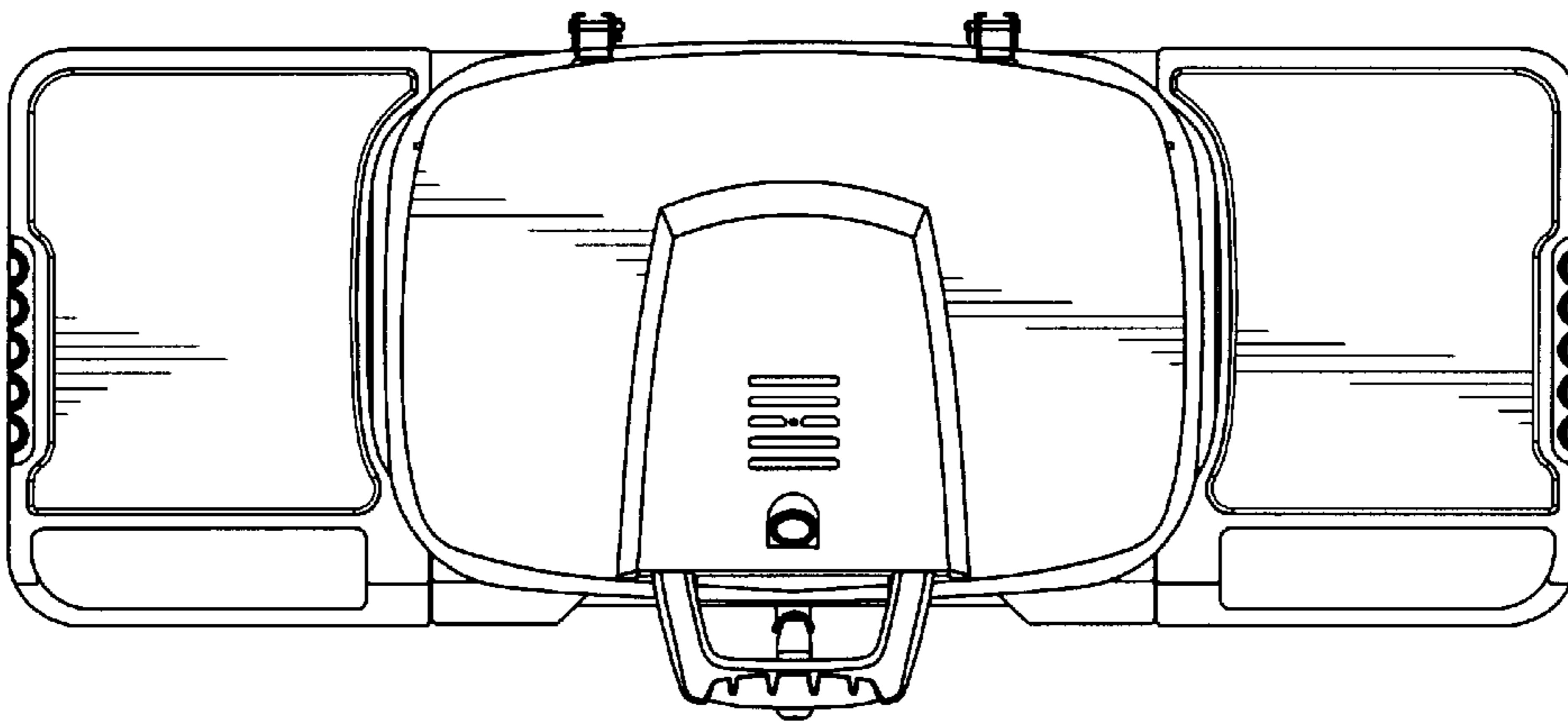


FIG. 6

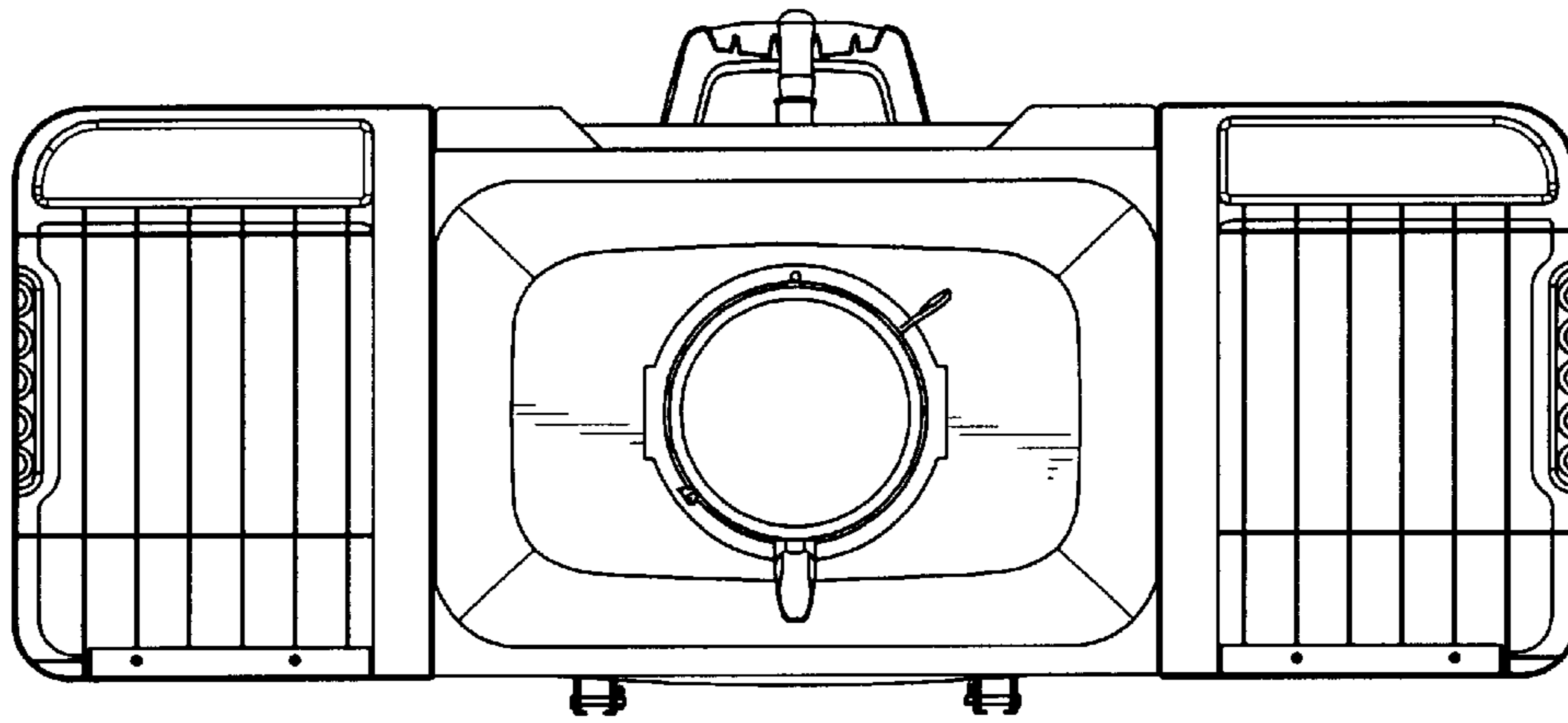


FIG. 7

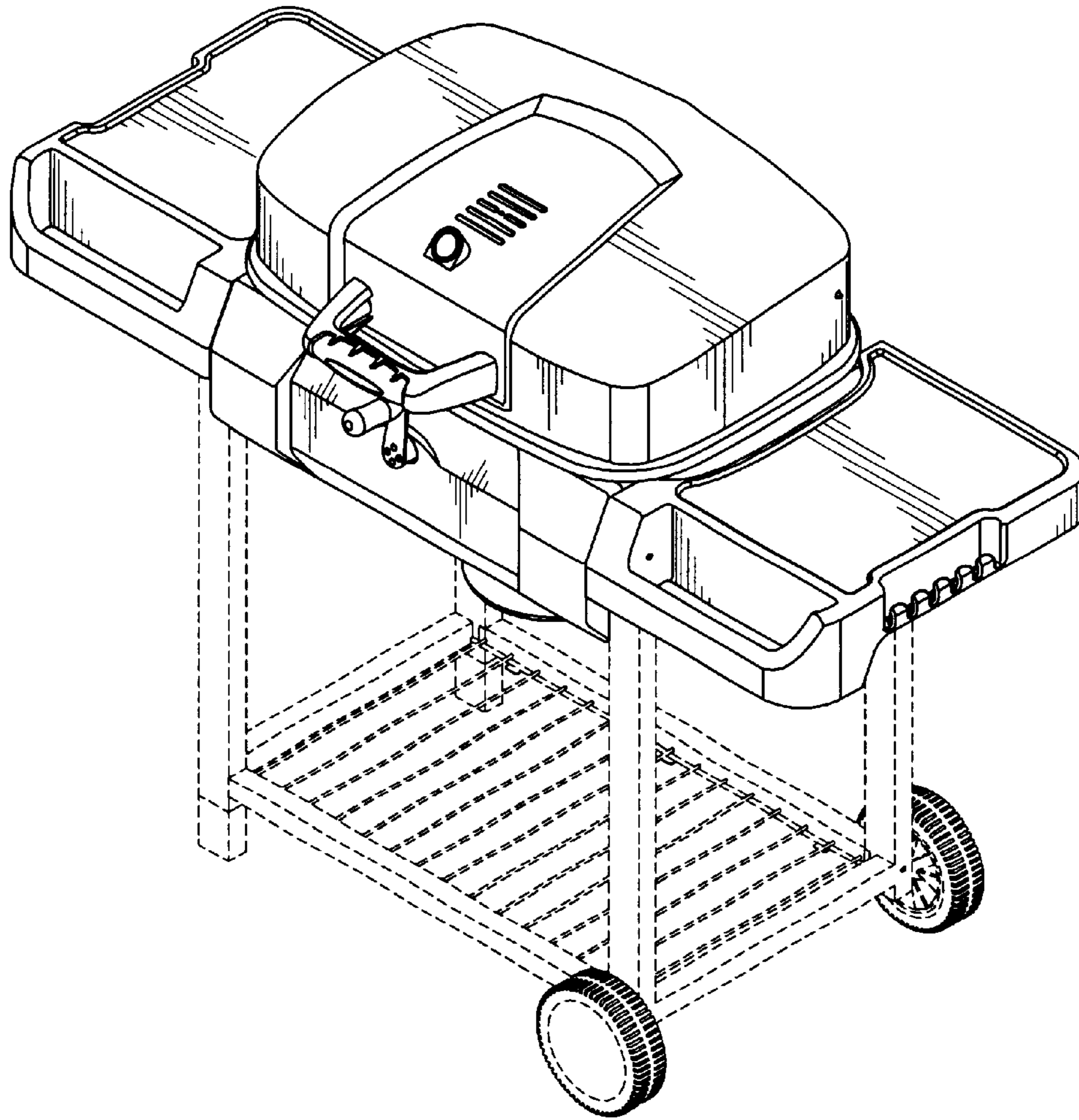


FIG. 8