

US00D525828S

(12) **United States Design Patent**  
**Daniels, Jr.**

(10) **Patent No.:** **US D525,828 S**

(45) **Date of Patent:** **\*\* Aug. 1, 2006**

(54) **SPOUT FOR SMOOTHIE MAKER**

(75) Inventor: **Thomas E. Daniels, Jr.**, Sandy, UT (US)

(73) Assignee: **Back To Basics Products, Inc.**, Bluffdale, UT (US)

(\*\*) Term: **14 Years**

(21) Appl. No.: **29/205,835**

(22) Filed: **May 21, 2004**

(51) **LOC (8) Cl.** ..... **07-99**

(52) **U.S. Cl.** ..... **D7/398**

(58) **Field of Classification Search** ..... D7/313, D7/387, 397, 398, 306, 307, 308, 31, 386, D7/378, 413, 414; 222/129.1, 183, 30; 210/282; 215/11.1; 251/263, 335.1; D23/207, 238  
See application file for complete search history.

3,765,275 A 10/1973 Johnson  
 3,780,393 A 12/1973 Gaetke  
 3,895,548 A 7/1975 Sauve  
 3,920,224 A 11/1975 Fassauer  
 4,030,707 A 6/1977 Moreton  
 D249,701 S \* 9/1978 Maples et al. .... D23/207  
 4,137,578 A 2/1979 Felici  
 4,201,487 A 5/1980 Backhaus  
 4,250,771 A 2/1981 Berler  
 4,252,160 A \* 2/1981 Numbers ..... 141/98  
 4,268,080 A 5/1981 Lindley  
 D268,841 S \* 5/1983 Adams ..... D7/398  
 D269,471 S 6/1983 Auerbach ..... D7/386  
 4,395,792 A 8/1983 Cosner  
 4,397,427 A 8/1983 Howard  
 D271,368 S \* 11/1983 Belland et al. .... D7/398  
 4,488,664 A 12/1984 Cleland  
 4,513,688 A 4/1985 Fassauer  
 4,537,332 A 8/1985 Brown et al.  
 4,561,782 A 12/1985 Jacobsen et al.  
 D295,138 S \* 4/1988 Hyde ..... D7/398  
 D337,234 S \* 7/1993 McGinnis ..... D7/306  
 5,302,021 A 4/1994 Jennett et al.  
 5,323,691 A 6/1994 Reese et al.

(56) **References Cited**

**U.S. PATENT DOCUMENTS**

1,412,536 A 4/1922 Mayer  
 1,874,079 A 8/1932 Black  
 2,066,997 A 1/1937 Mueller  
 2,070,545 A 2/1937 Gilbert  
 2,311,379 A 2/1943 Gillanders  
 2,315,018 A 3/1943 Lawrence  
 D156,635 S \* 12/1949 Law et al. .... D7/398  
 2,559,196 A 7/1951 Medved  
 2,785,547 A 3/1957 Barros  
 D183,177 S 7/1958 Oertli ..... D7/386  
 2,945,634 A 7/1960 Beck et al.  
 D189,904 S \* 3/1961 Seltsam ..... D7/398  
 D194,389 S \* 1/1963 Benjamin ..... D7/398  
 3,088,345 A 5/1963 Campbell  
 3,104,089 A \* 9/1963 Seltsam ..... 251/263  
 3,107,711 A 10/1963 Azmus  
 D200,230 S \* 2/1965 Seltsam ..... D7/398  
 D205,827 S \* 9/1966 Plagenberg ..... D7/398  
 3,346,029 A 10/1967 Harris  
 3,355,068 A \* 11/1967 Harland ..... 222/30  
 3,417,972 A 12/1968 Vincent  
 3,427,636 A 2/1969 Seifert

(Continued)

*Primary Examiner*—M. N. Pandozzi  
(74) *Attorney, Agent, or Firm*—Thorpe North & Western

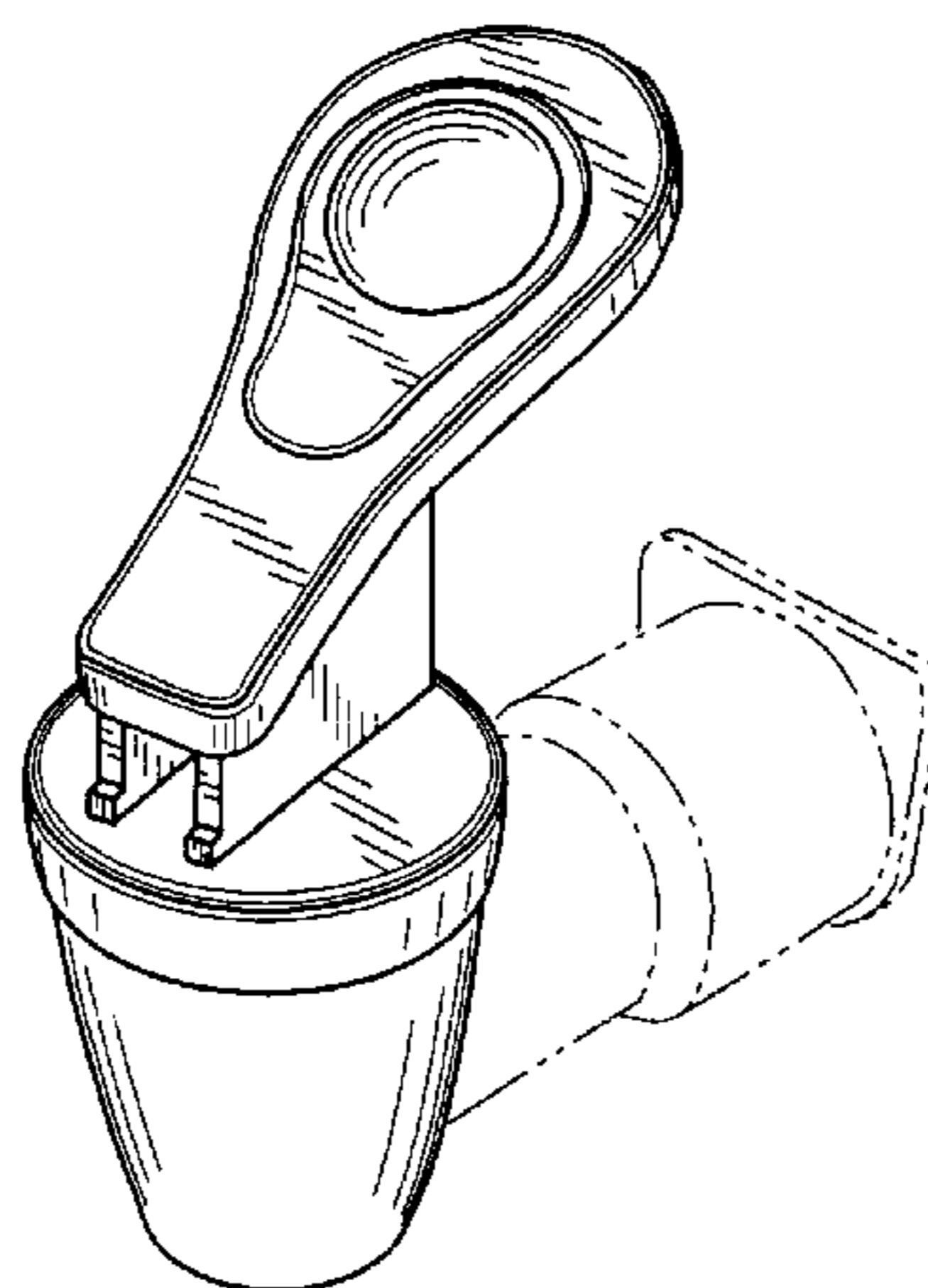
(57) **CLAIM**

The ornamental design for a spout for smoothie maker, as shown and described.

**DESCRIPTION**

FIG. 1 is an elevated, perspective view of the spout for smoothie maker in accordance with my invention;  
 FIG. 2 is a left side elevation view thereof;  
 FIG. 3 is a right side elevation view thereof;  
 FIG. 4 is a front elevation view thereof;  
 FIG. 5 is a back elevation view thereof;  
 FIG. 6 is a top plan view thereof; and,  
 FIG. 7 is a bottom plan view thereof.  
 The broken lines shown in FIGS. 1–7 are for illustrative purposes only and form no part of the claimed design.

**1 Claim, 2 Drawing Sheets**



# US D525,828 S

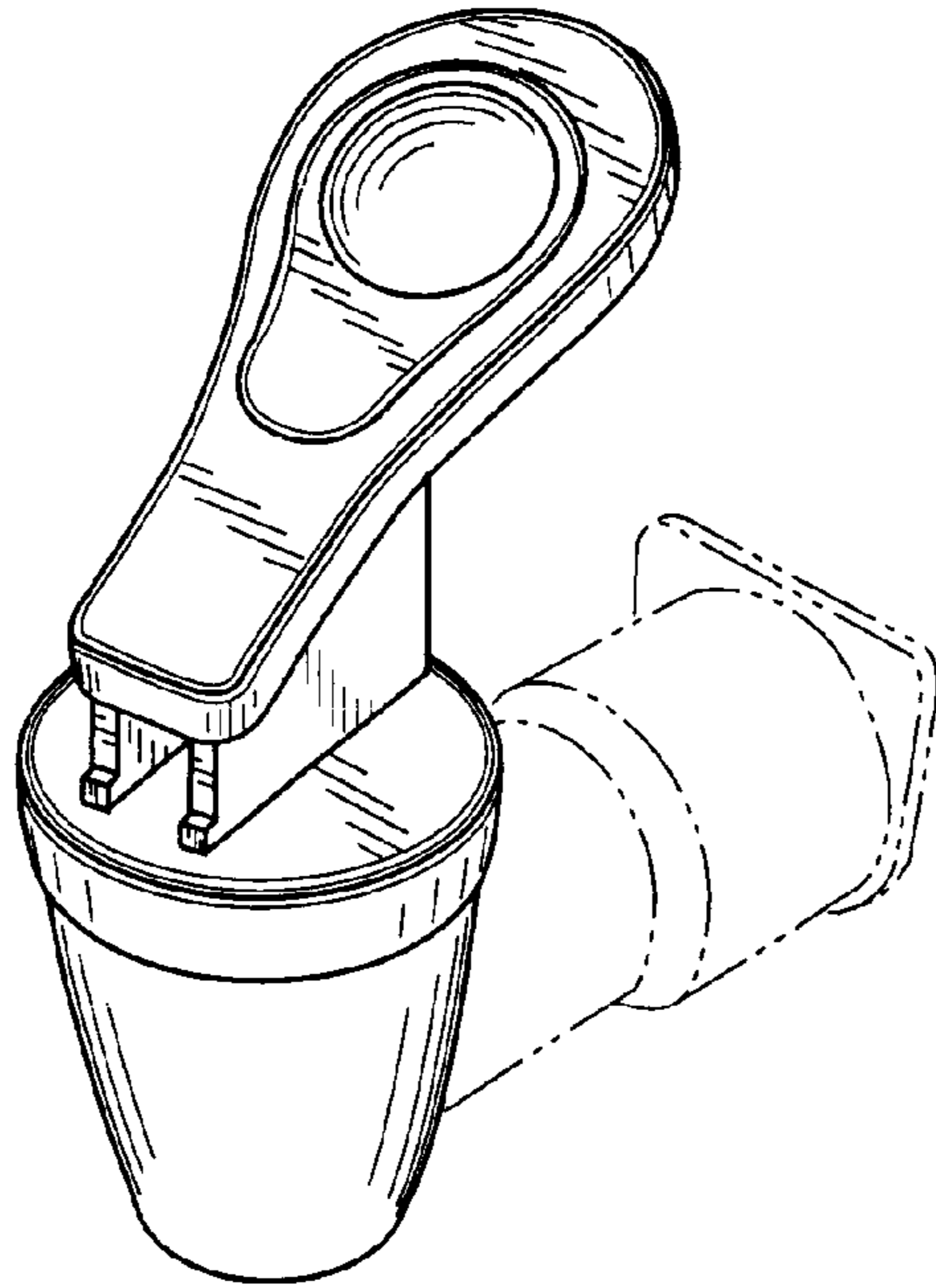
Page 2

---

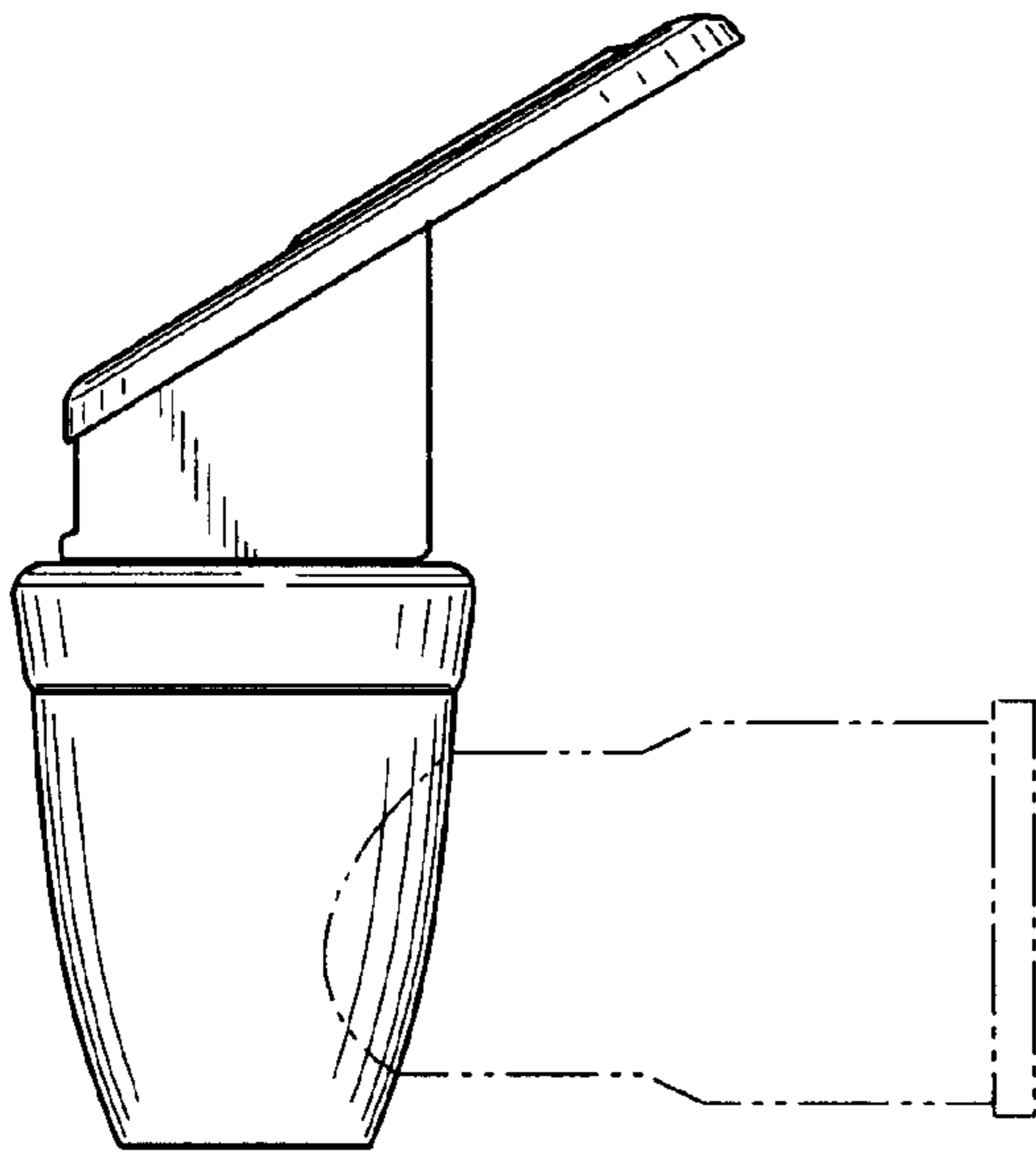
## U.S. PATENT DOCUMENTS

D363,634 S	10/1995	Cohn .....	D7/378	6,527,433 B1	3/2003	Daniels, Jr.	
5,479,851 A	1/1996	McClean et al.		D473,421 S	4/2003	Daniels, Jr.	
D370,151 S	5/1996	McLinden et al.		D474,065 S	5/2003	Daniels, Jr.	
D378,400 S	* 3/1997	Kowalics .....	D23/238	D474,067 S	5/2003	Daniels, Jr.	
D379,050 S	* 5/1997	Kohanski .....	D7/313	D474,643 S	5/2003	Daniels, Jr.	
5,662,032 A	9/1997	Baratta		D482,235 S	* 11/2003	Yui .....	D7/398
D412,262 S	* 7/1999	Roundtree .....	D7/307	D493,331 S	* 7/2004	Munoz .....	D7/398
6,158,626 A	* 12/2000	Guerra et al. ....	222/183	2001/0006486 A1	7/2001	Ofverberg	
D463,194 S	* 9/2002	Busick et al. ....	D7/313	2003/0099154 A1	5/2003	Daniels, Jr.	

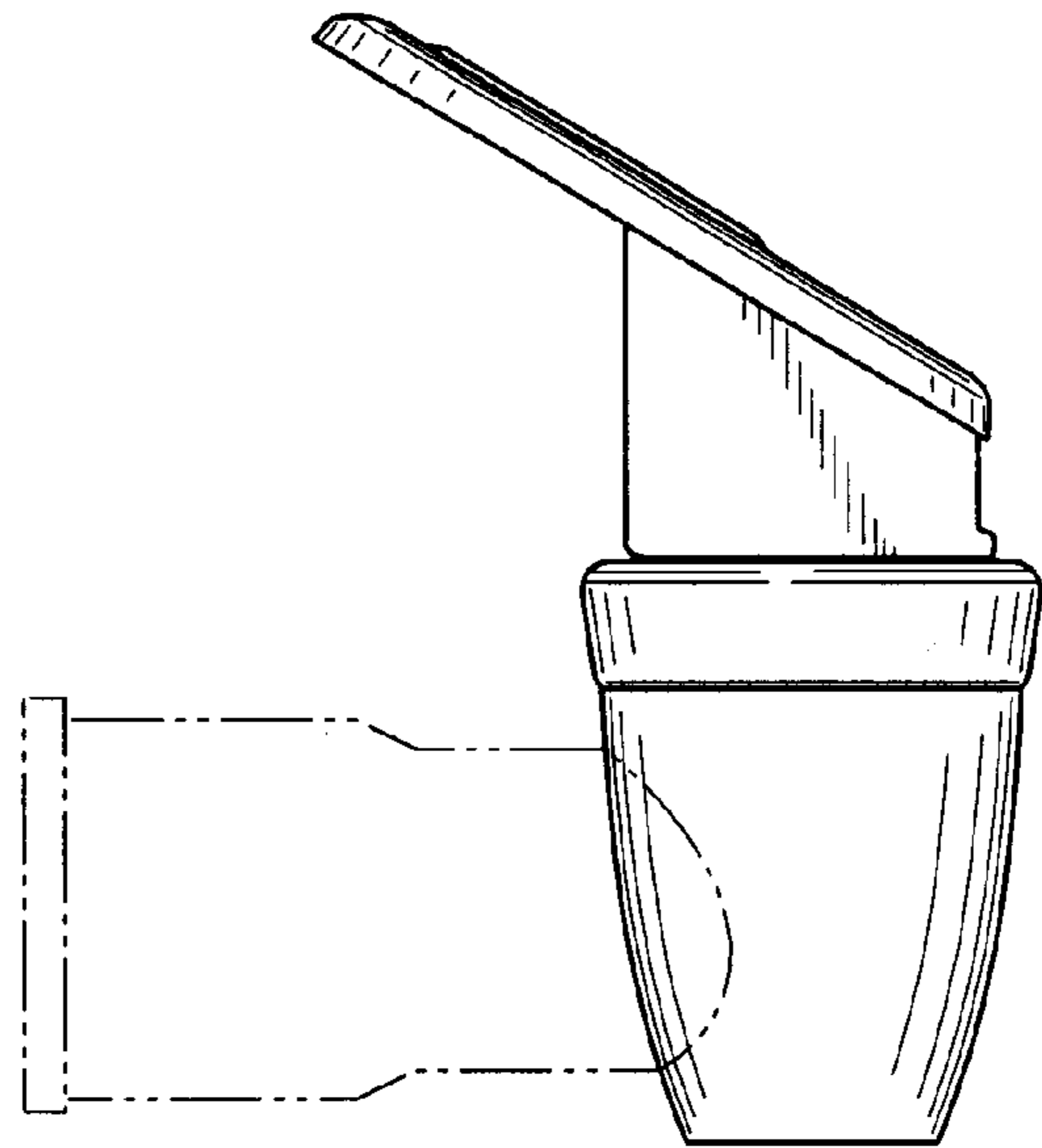
\* cited by examiner



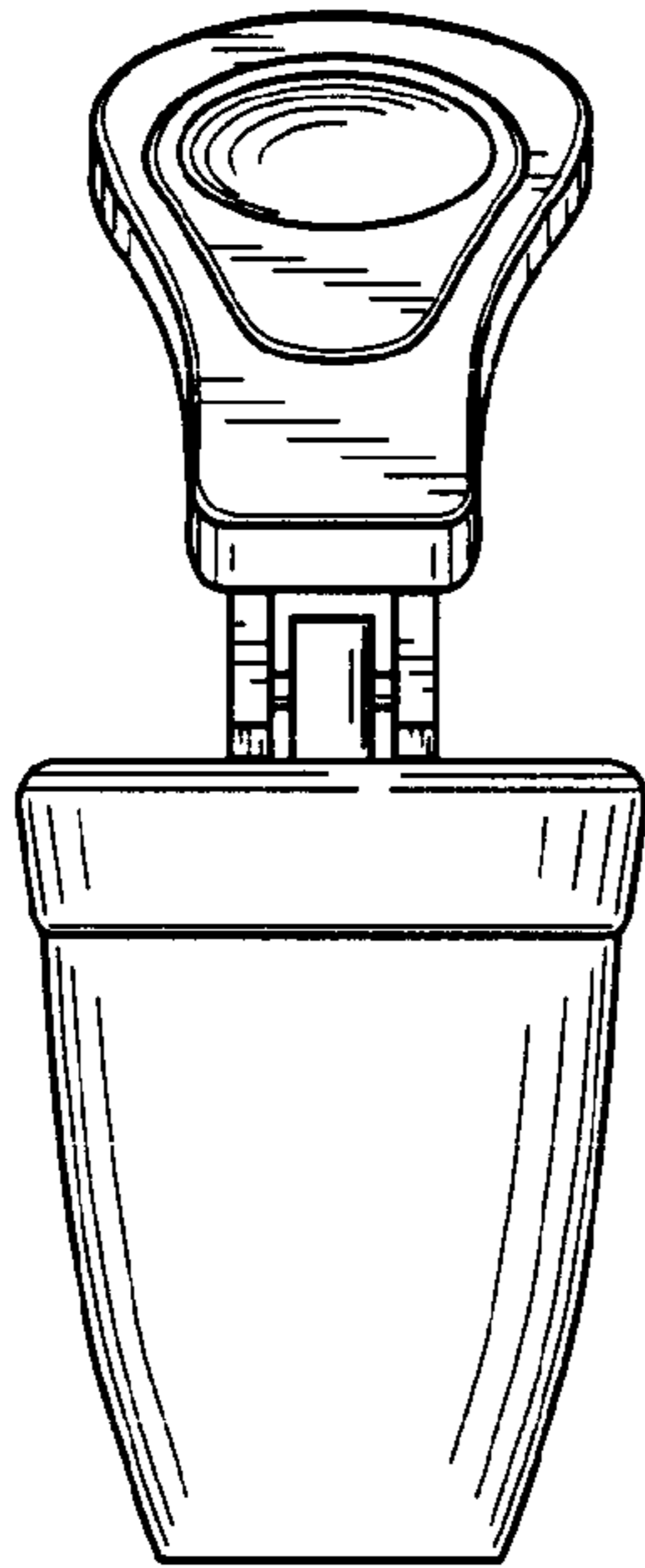
**FIG. 1**



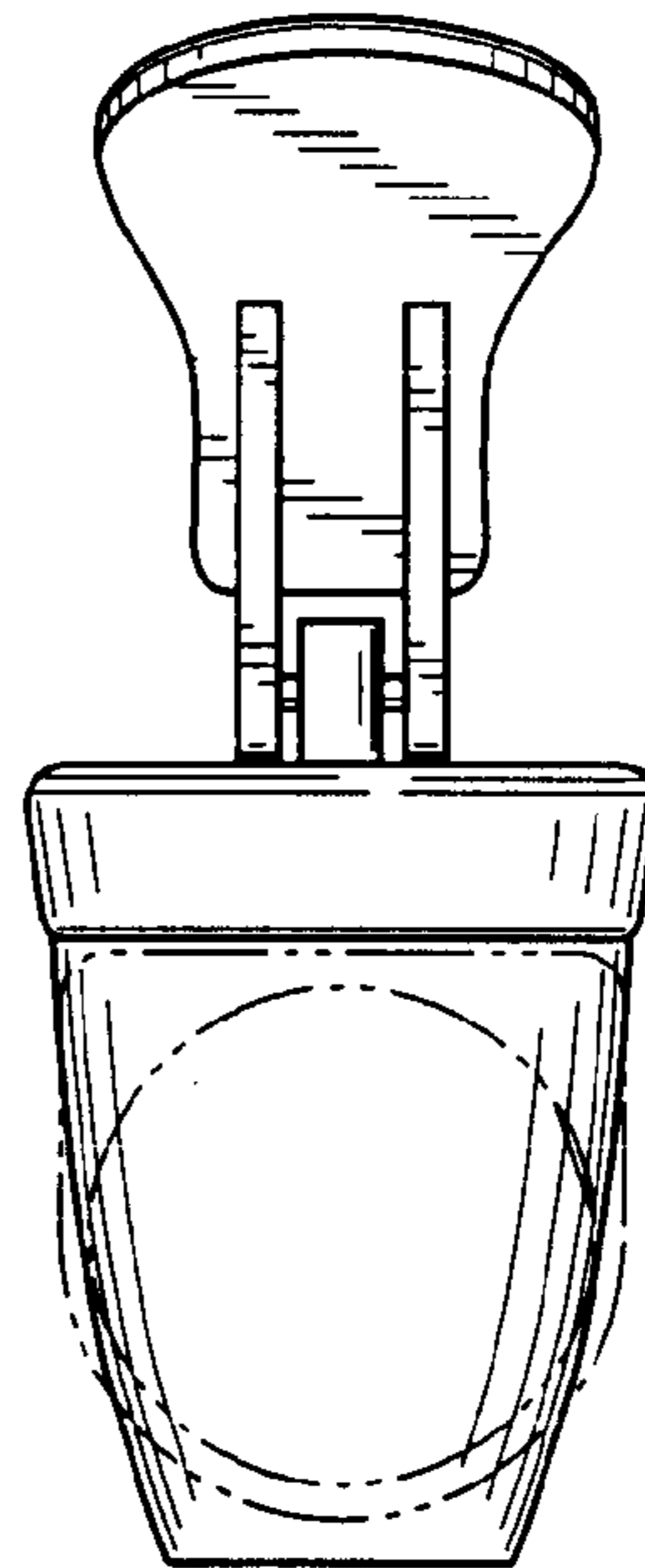
**FIG. 2**



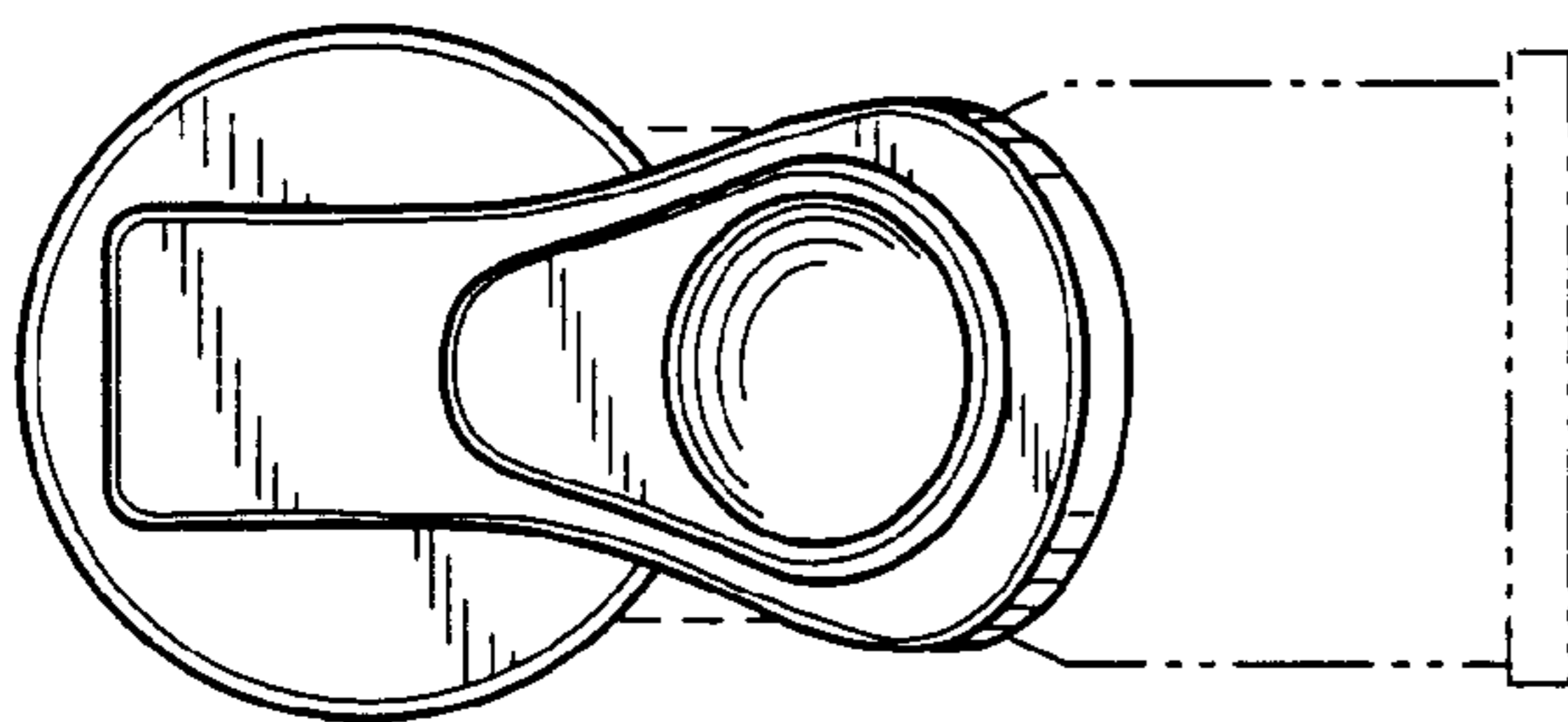
**FIG. 3**



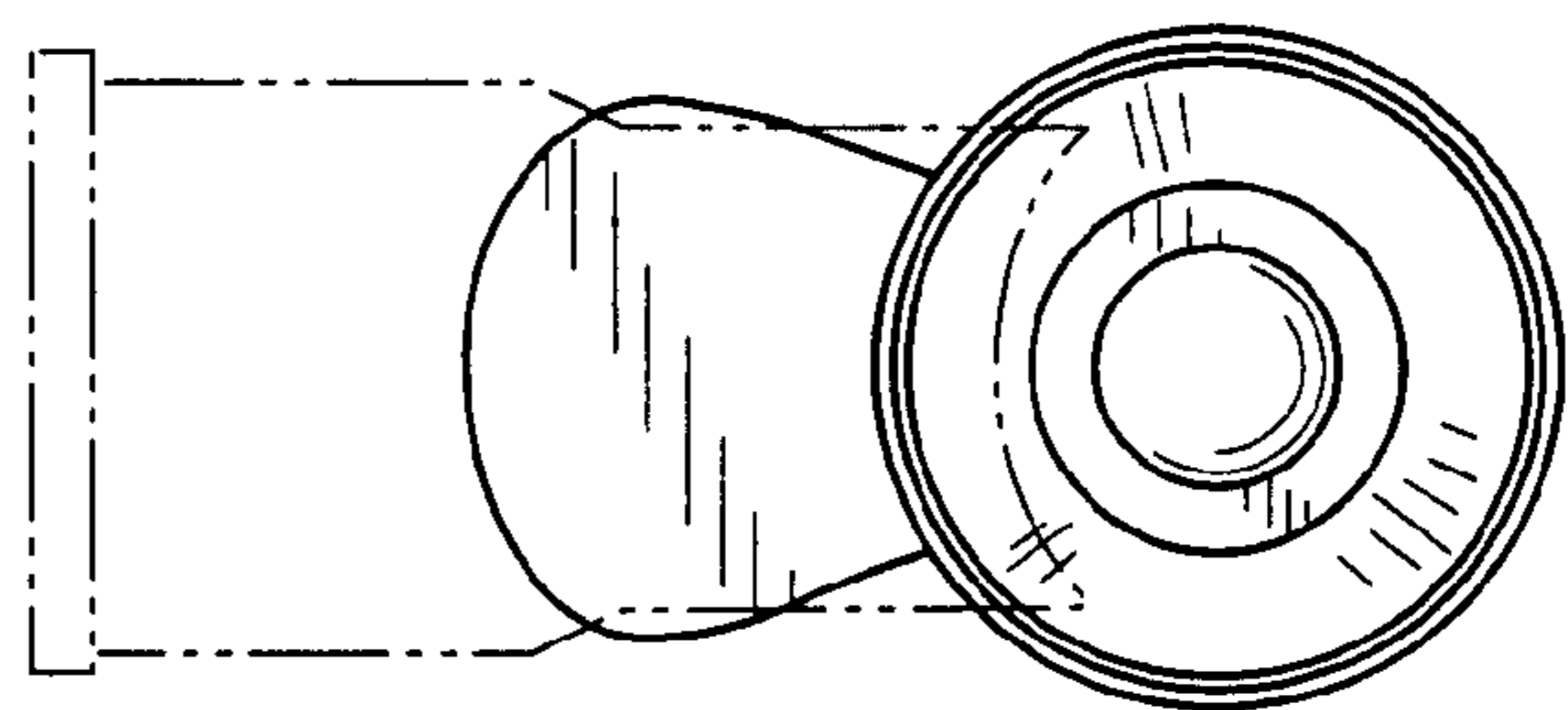
**FIG. 4**



**FIG. 5**



**FIG. 6**



**FIG. 7**