



US00D525827S

(12) **United States Design Patent**
Munari

(10) **Patent No.:** **US D525,827 S**

(45) **Date of Patent:** **** Aug. 1, 2006**

(54) **SAUCEPAN HANDLE**

(75) Inventor: **Patrizio Munari**, Sorocaba (BR)

(73) Assignee: **La Termoplastico F.B.M.-S.R.L.**, Via
Del Tornago (IT)

(**) Term: **14 Years**

(21) Appl. No.: **29/245,192**

(22) Filed: **Dec. 21, 2005**

(30) **Foreign Application Priority Data**

Jun. 22, 2005 (BR) DI6502389

(51) **LOC (8) Cl.** **07-02**

(52) **U.S. Cl.** **D7/393**

(58) **Field of Classification Search** D7/354-361,
D7/293-395, 401.2; D8/107, 307; D4/138,
D4/129; 16/430, 431, 110.1, 407; 220/573.1-573.5,
220/752, 753, 755, 756, 912

See application file for complete search history.

(56) **References Cited**

U.S. PATENT DOCUMENTS

4,761,851 A * 8/1988 Day et al. 220/752
D384,243 S * 9/1997 Nicollet D7/395
D392,151 S * 3/1998 Munari D7/395
D411,077 S * 6/1999 Kwok D7/395
D417,121 S * 11/1999 Brunianyn D7/395
6,032,822 A * 3/2000 Munari 220/573.1

D448,973 S * 10/2001 Hay et al. D7/395
D461,363 S * 8/2002 Law D7/395
D490,270 S * 5/2004 Pippel et al. D7/395
D491,016 S * 6/2004 Rae D7/395
D491,764 S * 6/2004 Munari D7/395
D494,038 S * 8/2004 Shih D8/107
D496,219 S * 9/2004 Rae D7/395
D508,631 S * 8/2005 Cuillery D7/395
D510,233 S * 10/2005 Giannone D7/395

* cited by examiner

Primary Examiner—Holly Baynham

Assistant Examiner—Cynthia M. Chin

(74) *Attorney, Agent, or Firm*—Berenato, White & Stavish
LLC

(57) **CLAIM**

The ornamental design for a saucepan handle, as shown and described.

DESCRIPTION

FIG. 1 is a perspective view of my new design relating to a saucepan handle;

FIG. 2 is a side view of my new design (the opposite side view being symmetrical);

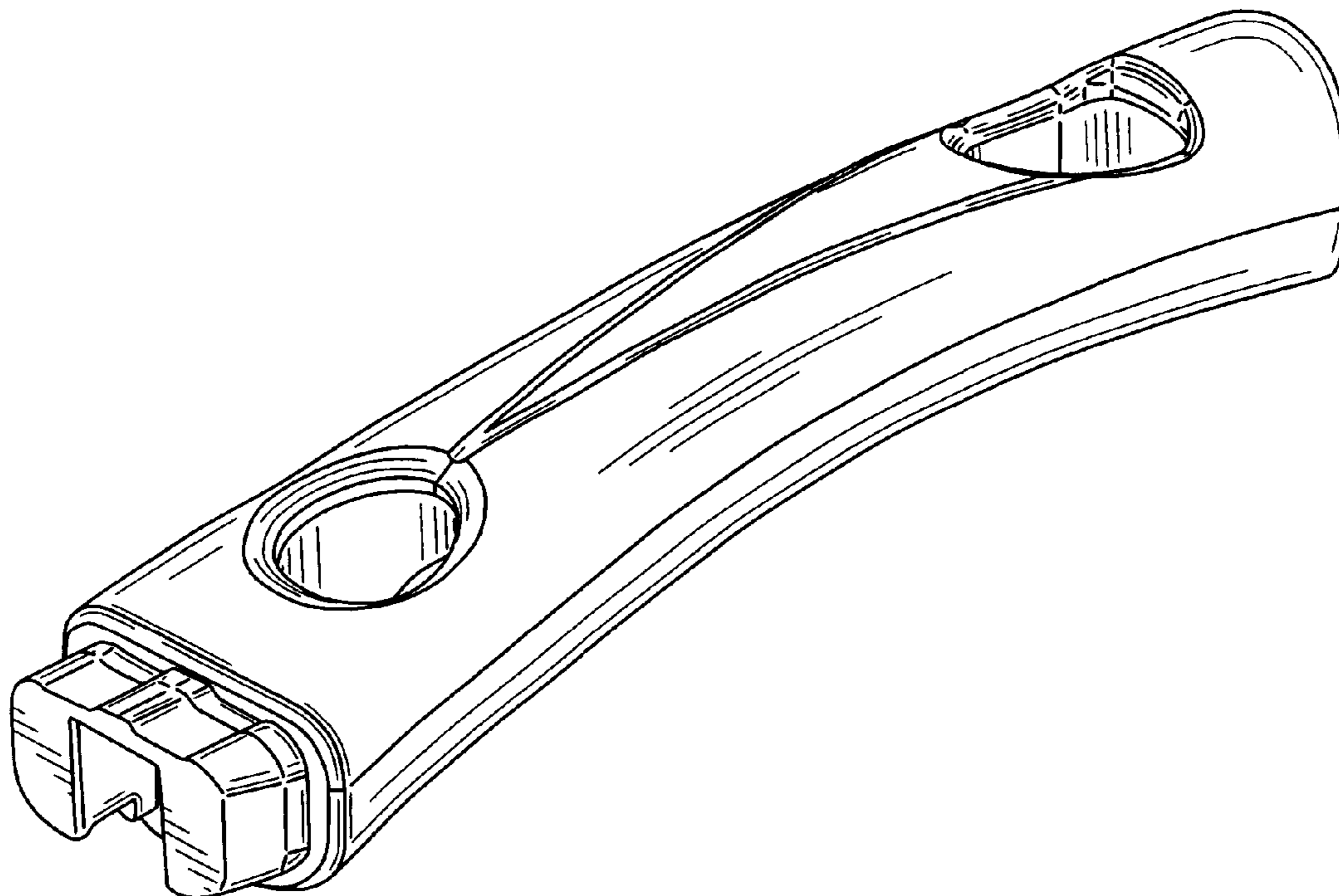
FIG. 3 is a top view of my new design;

FIG. 4 is bottom view of my new design;

FIG. 5 is a front view of my new design; and,

FIG. 6 is a rear view of my new design.

1 Claim, 2 Drawing Sheets



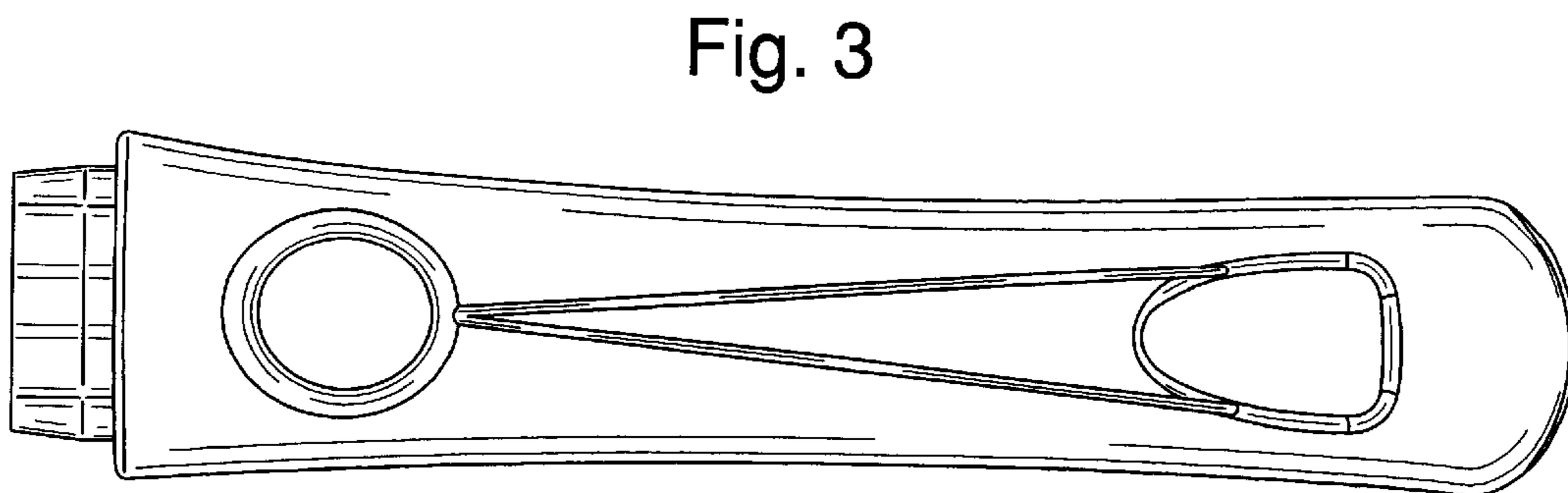
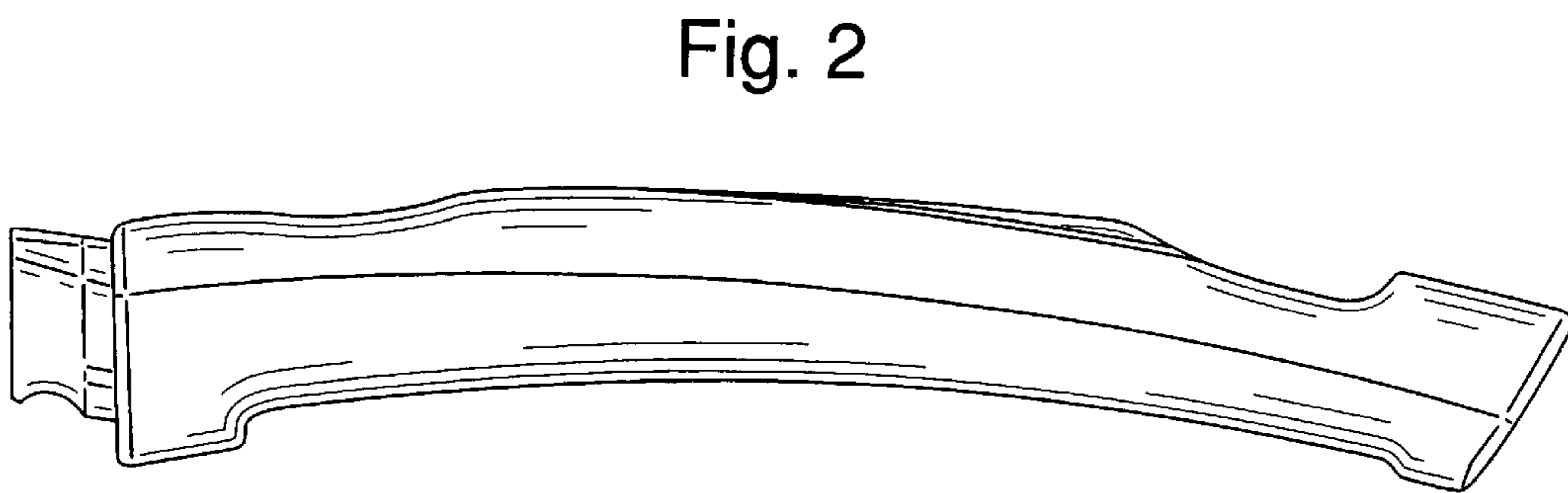
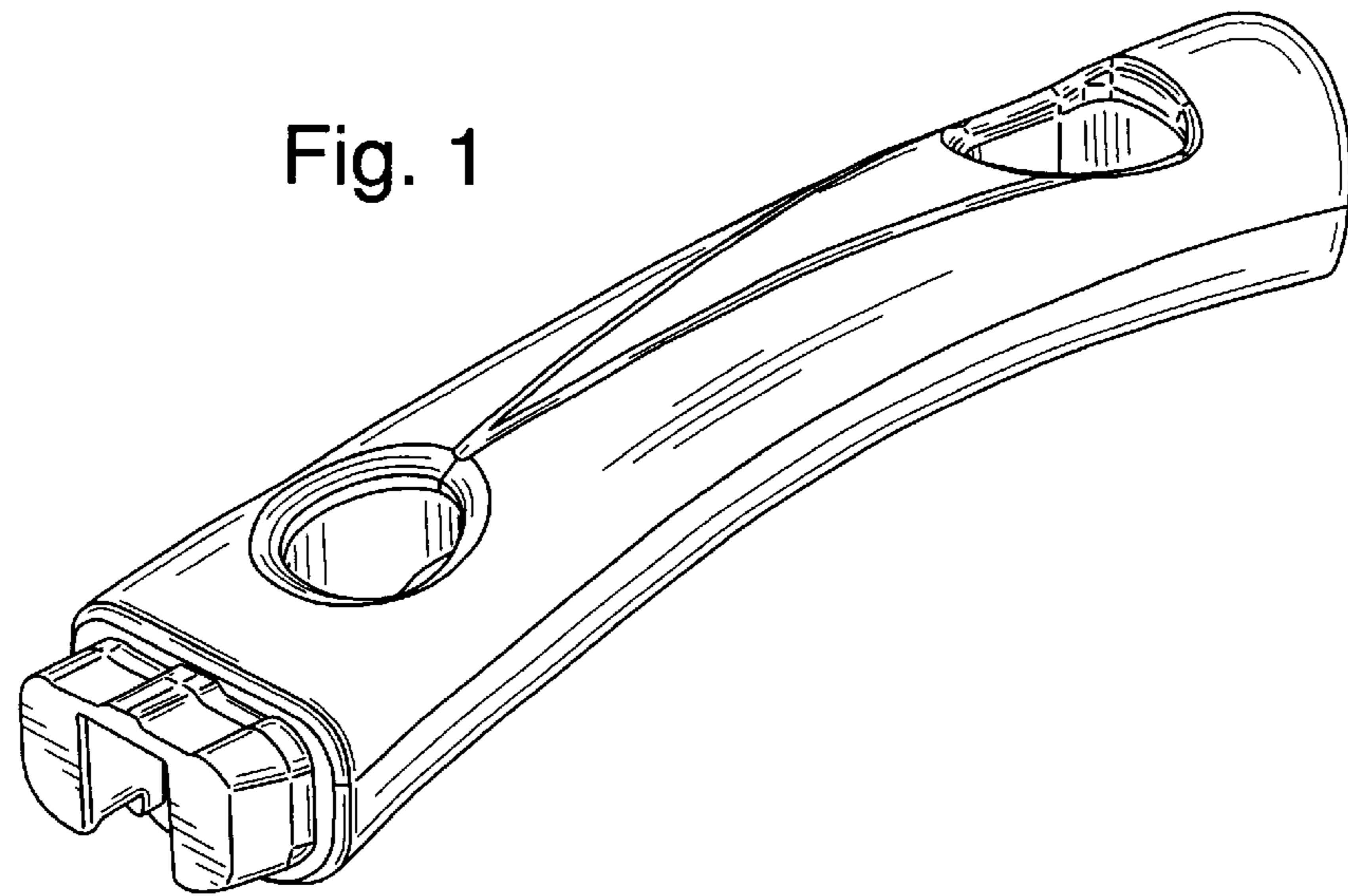


Fig. 4



Fig. 5

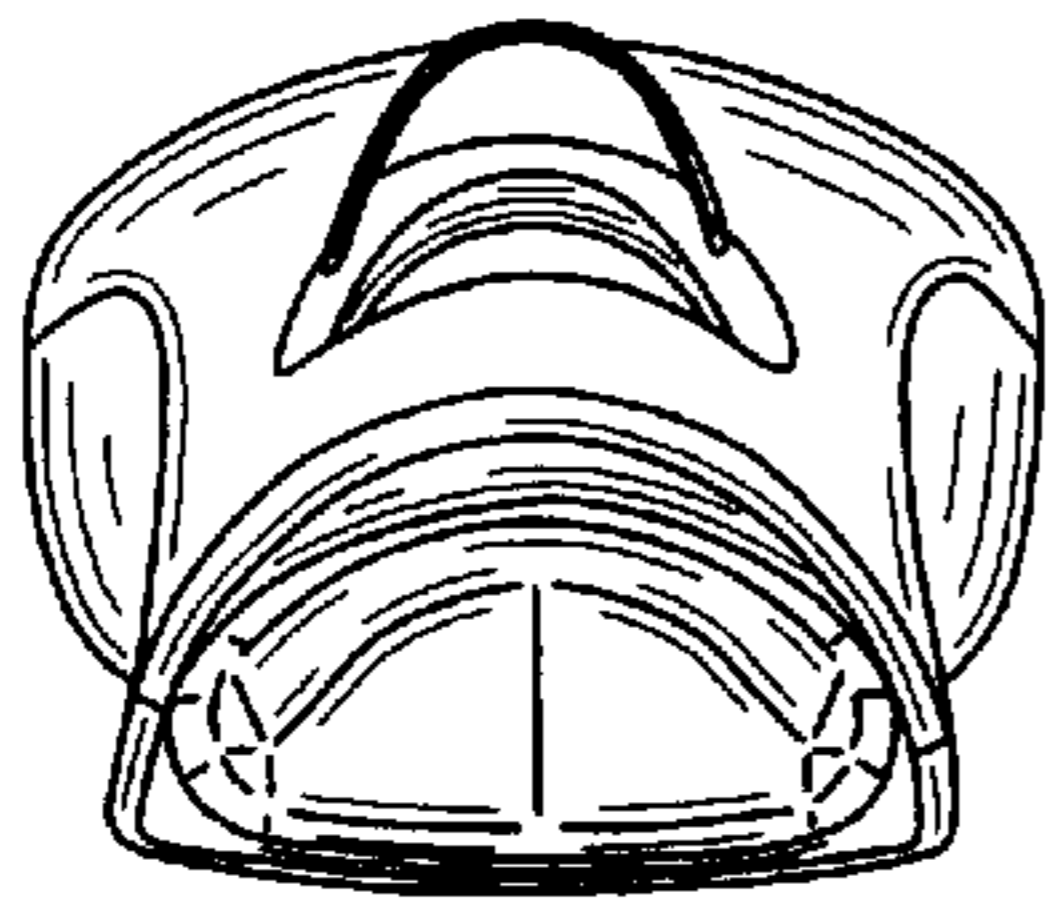


Fig. 6

