



US00D525826S

(12) **United States Design Patent**  
**Kugler**

(10) **Patent No.:** **US D525,826 S**

(45) **Date of Patent:** **\*\* Aug. 1, 2006**

(54) **DETACHABLE LID FOR BEVERAGE CONTAINER**

(76) Inventor: **Brenda S. Kugler**, 10543 Westwood Rd., Columbia Station, OH (US) 44028

(\*\*) Term: **14 Years**

(21) Appl. No.: **29/230,579**

(22) Filed: **May 25, 2005**

(51) **LOC (8) Cl.** ..... **09-07**

(52) **U.S. Cl.** ..... **D7/392.1; D7/396.2; D7/900; D9/447**

(58) **Field of Classification Search** ..... D9/454, D9/447, 445, 444, 443, 440, 439, 435, 434; D7/900, 396.2, 392, 392.1, 391, 510, 511; 220/791, 790, 789, 780, 715, 711, 251, 247, 220/243, 240, 212, 254.5, 264; 222/470, 222/518

See application file for complete search history.

(56) **References Cited**

**U.S. PATENT DOCUMENTS**

- D230,344 S \* 2/1974 Taylor ..... D7/391
- 4,276,992 A \* 7/1981 Susich ..... 220/715
- 4,428,498 A 1/1984 Obey
- 4,986,437 A 1/1991 Farmer

- D351,314 S \* 10/1994 Sokolski et al. .... D7/536
- 5,897,019 A 4/1999 Stropkay
- D417,360 S 12/1999 Bickert et al.
- D457,779 S \* 5/2002 Gullickson et al. .... D7/392.1
- 6,488,173 B1 12/2002 Milan
- D471,764 S \* 3/2003 Janky ..... D7/510
- D493,332 S \* 7/2004 Bin ..... D7/510
- 2002/0020708 A1 2/2002 Weiss et al.

\* cited by examiner

*Primary Examiner*—Robert M. Spear  
*Assistant Examiner*—Susan Bennett-Hattan

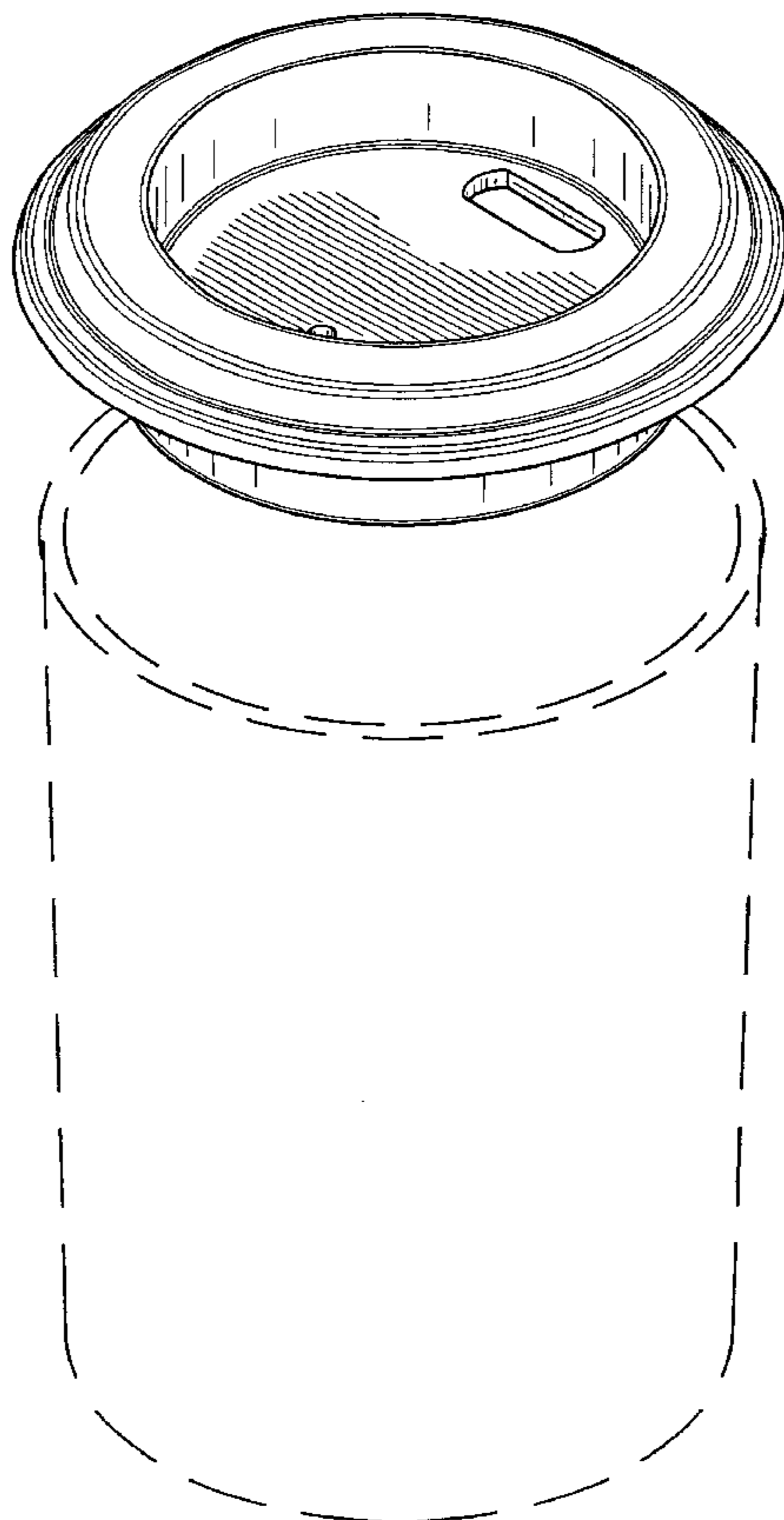
(57) **CLAIM**

The ornamental design for a detachable lid for beverage container, as shown and described.

**DESCRIPTION**

FIG. 1 is a top plan view of a detachable lid for beverage container showing my new design; FIG. 2 is a bottom plan view thereof; FIG. 3 is a side elevational view thereof; and, FIG. 4 is a perspective view thereof. The broken lines shown on FIG. 4 are for illustrative purposes only and are hereby disclaimed as forming no part of Applicant's claimed invention.

**1 Claim, 2 Drawing Sheets**



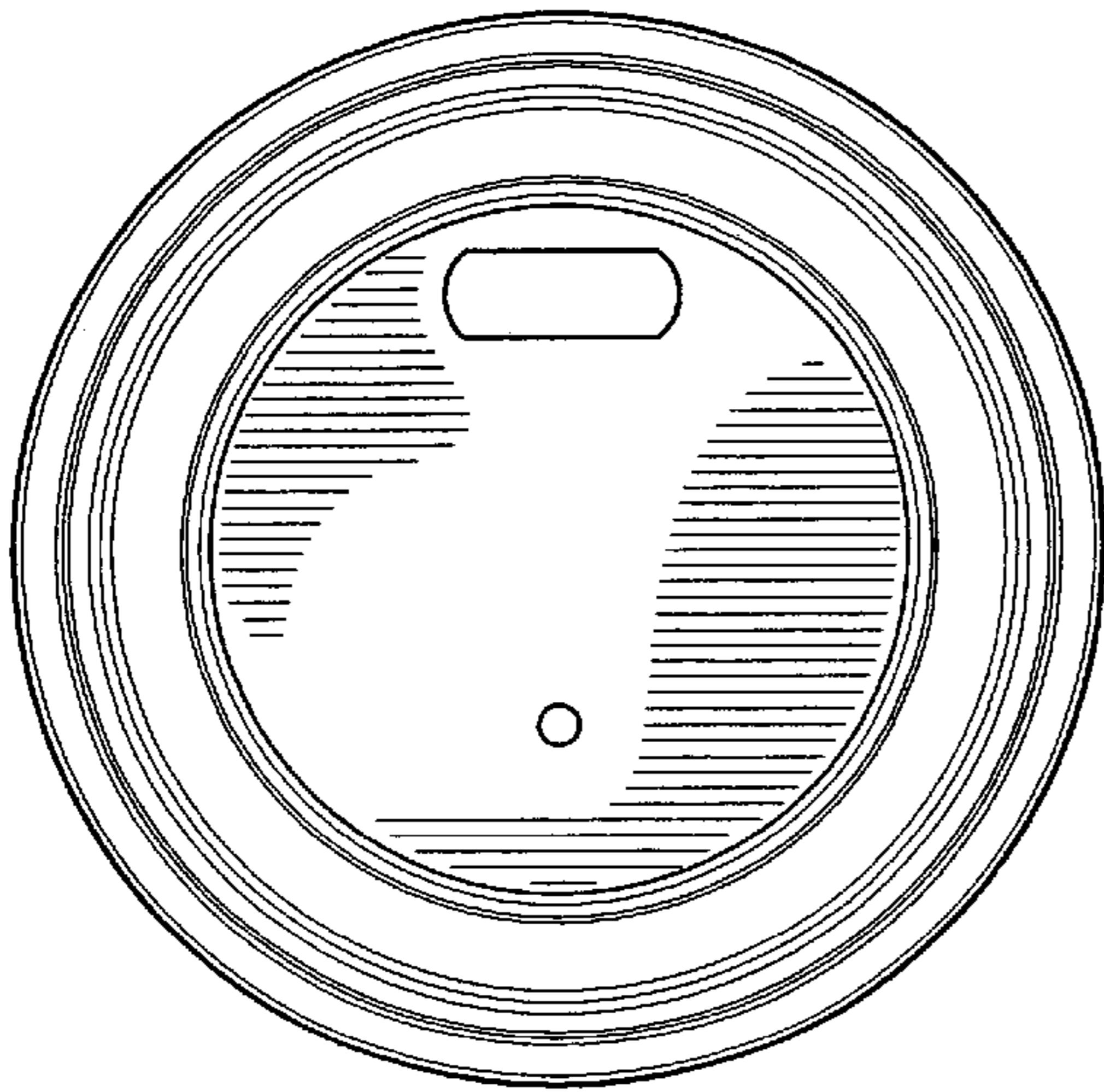


FIG. 1

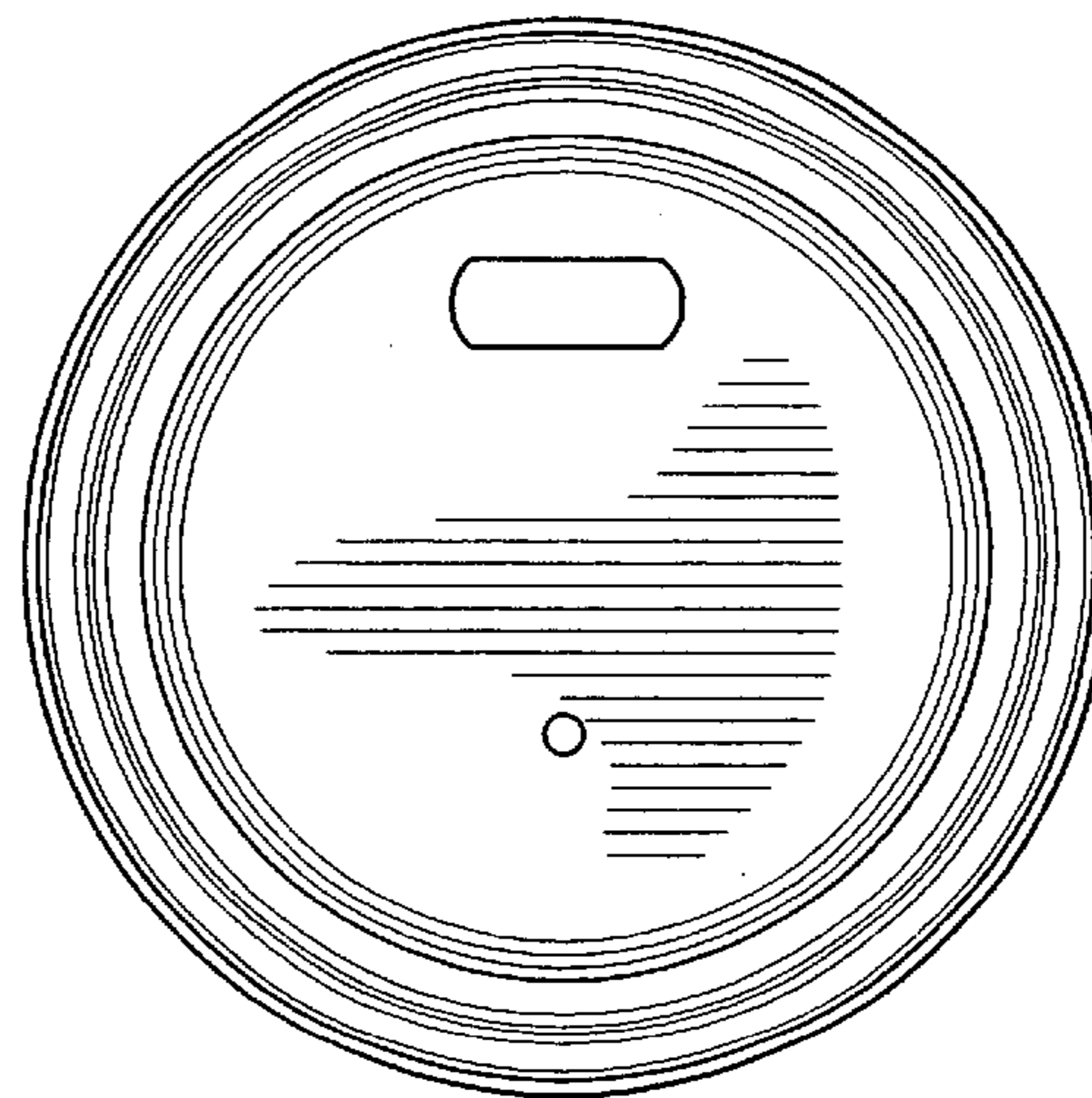


FIG. 2

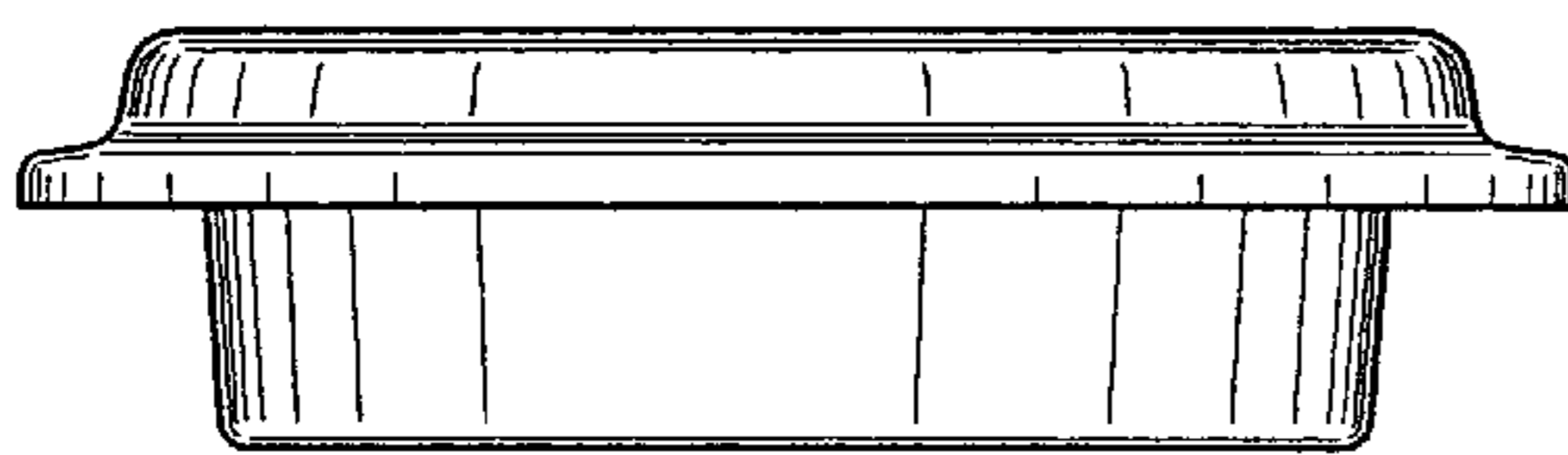


FIG. 3

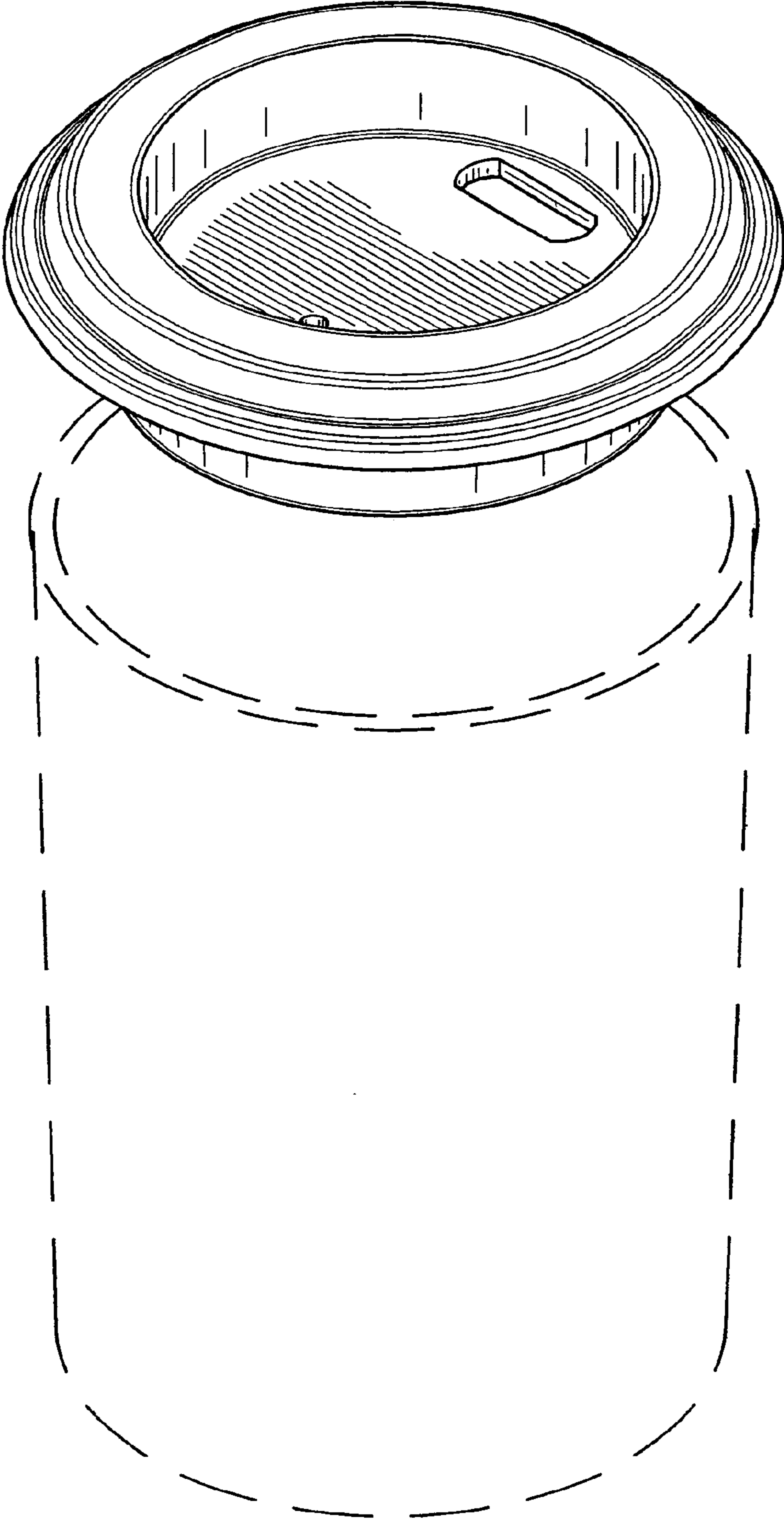


FIG. 4