



US00D525825S

(12) **United States Design Patent**
Heiberg et al.

(10) **Patent No.:** **US D525,825 S**

(45) **Date of Patent:** **** Aug. 1, 2006**

(54) **COVER FOR A PITCHER**
(75) Inventors: **Jakob Heiberg**, Charlottenlund (DK);
Dorte Sondergaard, Frederiksberg
(DK)

(73) Assignee: **Dart Industries Inc.**, Orlando, FL (US)

(**) Term: **14 Years**

(21) Appl. No.: **29/231,744**

(22) Filed: **Jun. 8, 2005**

(51) **LOC (8) Cl.** **07-02**

(52) **U.S. Cl.** **D7/392**

(58) **Field of Classification Search** D7/317-319,
D7/391-392.1, 396.2, 510-511, 629; D9/435,
D9/440, 444, 447, 449-450, 454, 503-504;
215/211, 200, 224, 243; 220/700, 701, 703,
220/711, 713-715, 719

See application file for complete search history.

(56) **References Cited**

U.S. PATENT DOCUMENTS

D192,192 S	2/1962	Tupper	
D194,851 S	3/1963	Sturmer	
D198,272 S	5/1964	Swett	
3,412,890 A	* 11/1968	Rich	220/315
D277,724 S	2/1985	Daenen et al.	
D311,665 S	10/1990	Carlson	
D314,708 S	* 2/1991	DeCoster	D9/449
D374,590 S	* 10/1996	Ahern, Jr.	D7/392.1
D374,794 S	* 10/1996	Ahern, Jr.	D7/392.1
D382,769 S	* 8/1997	Jeppesen et al.	D7/392.1
D385,791 S	* 11/1997	Forsyth et al.	D9/447

D401,854 S	12/1998	DeCoster et al.	
D411,408 S	6/1999	Ahern, Jr. et al.	
D415,922 S	11/1999	Kawasaki et al.	
D416,163 S	11/1999	Doritty et al.	
D418,363 S	1/2000	Barnes et al.	
D418,714 S	* 1/2000	Fox et al.	D7/319
D419,027 S	1/2000	Haslem et al.	
D421,361 S	3/2000	Coulson et al.	
D428,756 S	8/2000	Miller	
D454,469 S	3/2002	Jalet et al.	
D456,713 S	* 5/2002	Bried et al.	D9/449
D461,676 S	8/2002	Daenen et al.	
D467,801 S	* 12/2002	Baerenwald et al.	D9/432
6,742,660 B1	* 6/2004	Suzuki et al.	210/505
D506,639 S	6/2005	Jalet	

* cited by examiner

Primary Examiner—Holly Baynham
Assistant Examiner—Cynthia M. Chin
(74) *Attorney, Agent, or Firm*—John A. Doninger

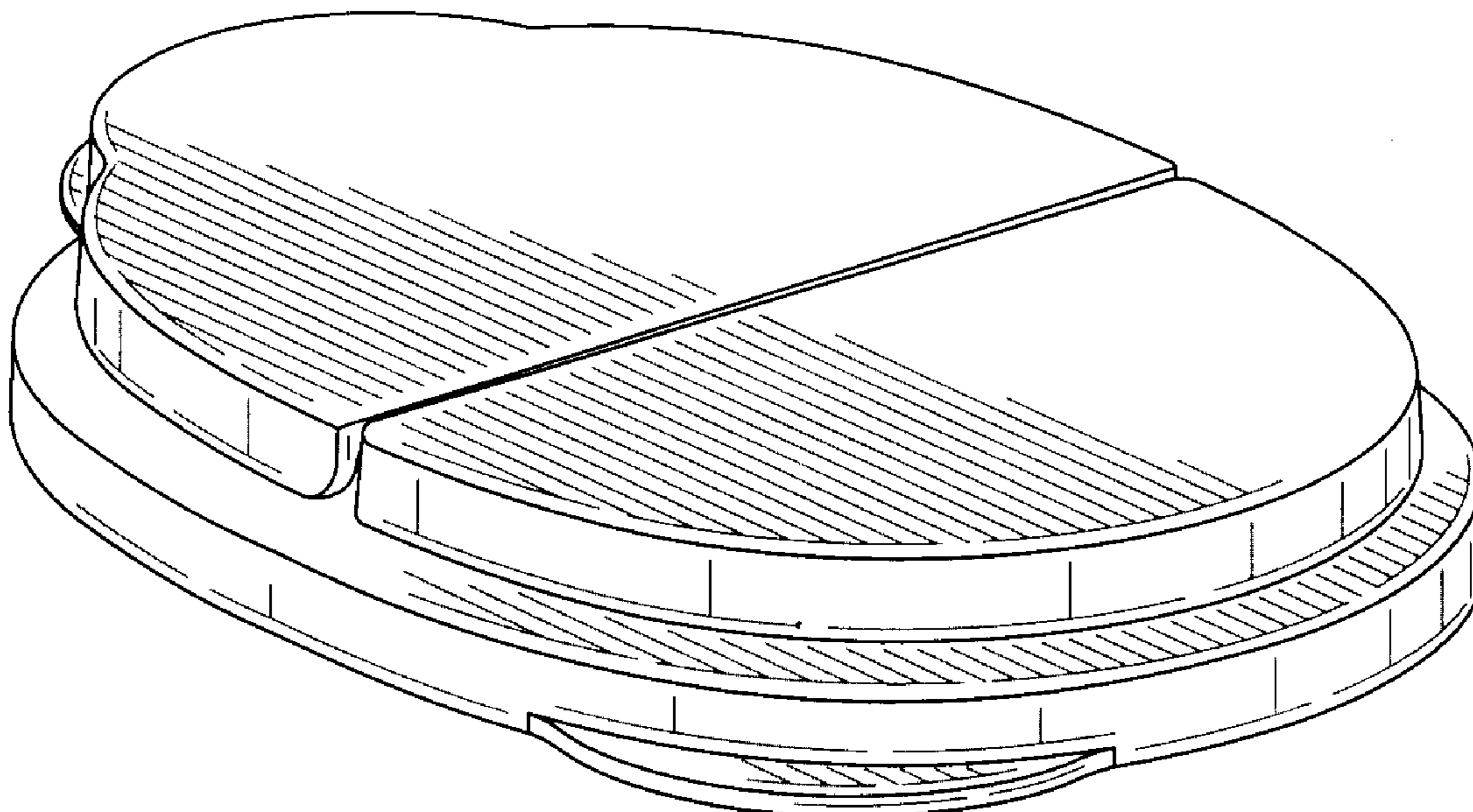
(57) **CLAIM**

The ornamental design for a cover for a pitcher, as shown and described.

DESCRIPTION

FIG. 1 is a top, side and front perspective view of a cover for a pitcher showing the new design;
FIG. 2 is a front elevation view thereof;
FIG. 3 is a rear elevation view thereof;
FIG. 4 is a right side elevation view thereof;
FIG. 5 is a left side elevation view thereof;
FIG. 6 is a top plan view thereof; and,
FIG. 7 is a bottom plan view thereof.

1 Claim, 3 Drawing Sheets



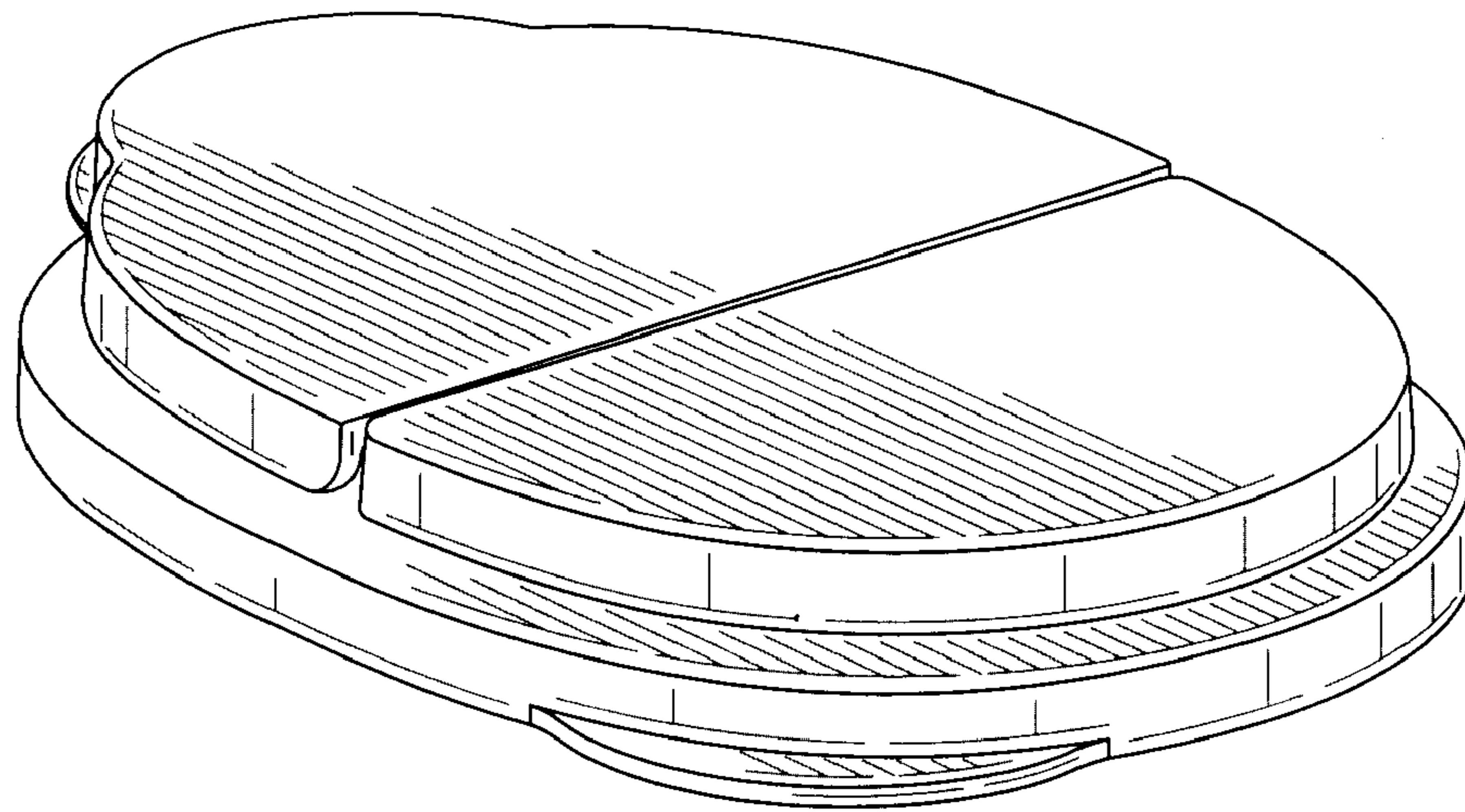


FIG. 1

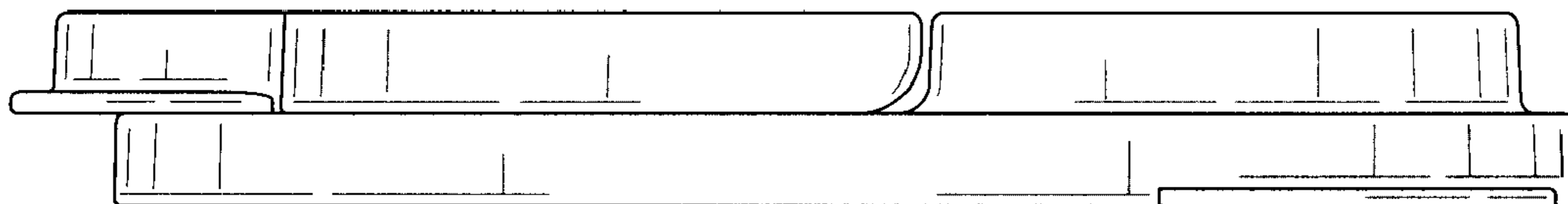


FIG. 2

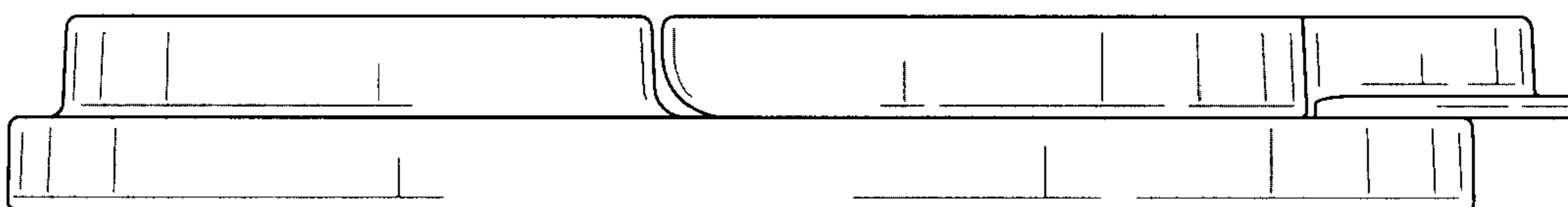


FIG. 3

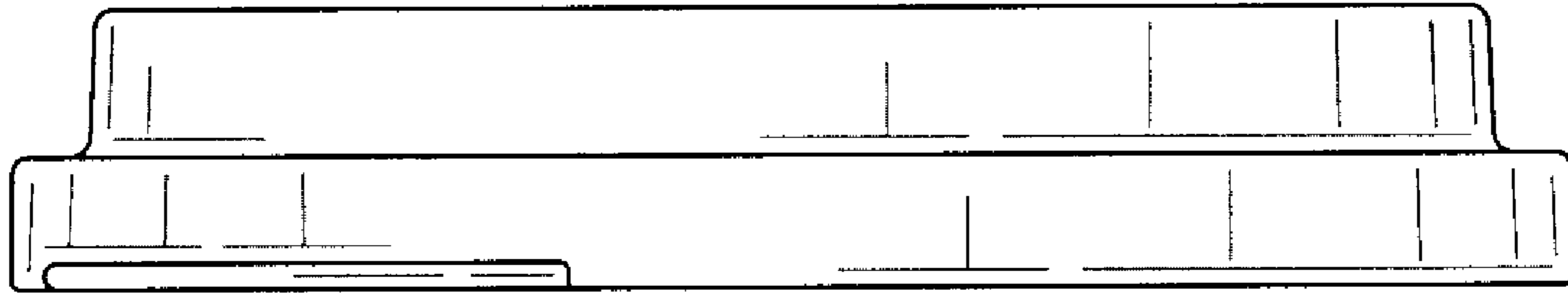


FIG. 4

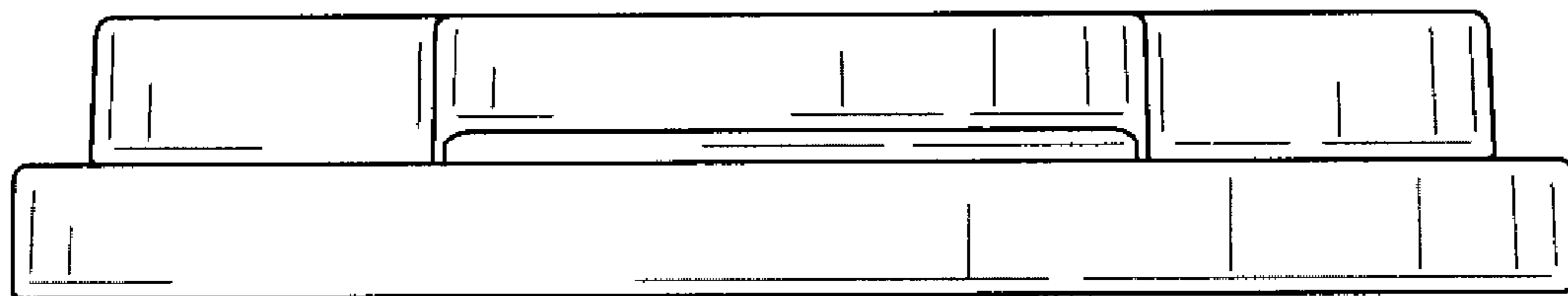


FIG. 5

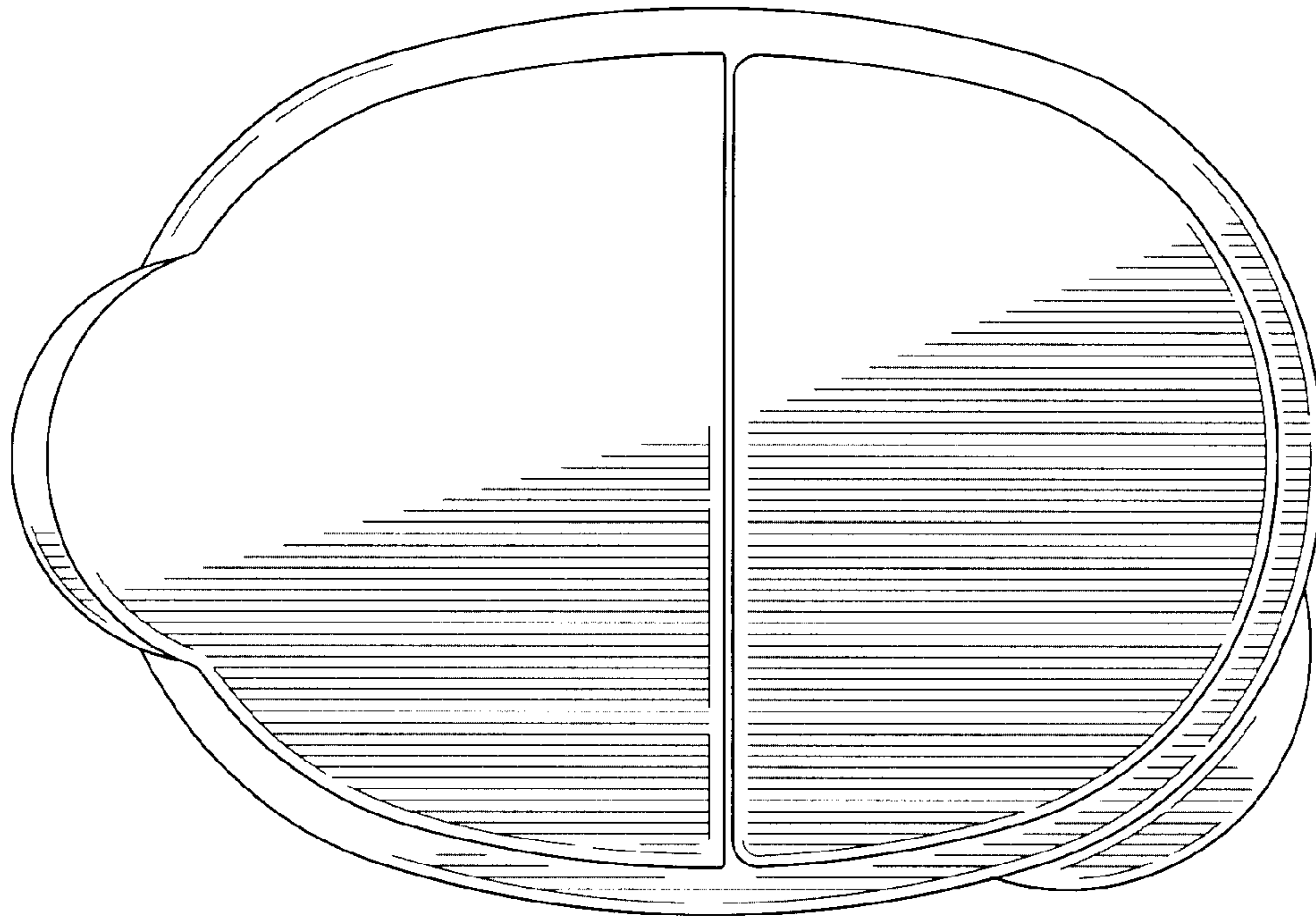


FIG. 6

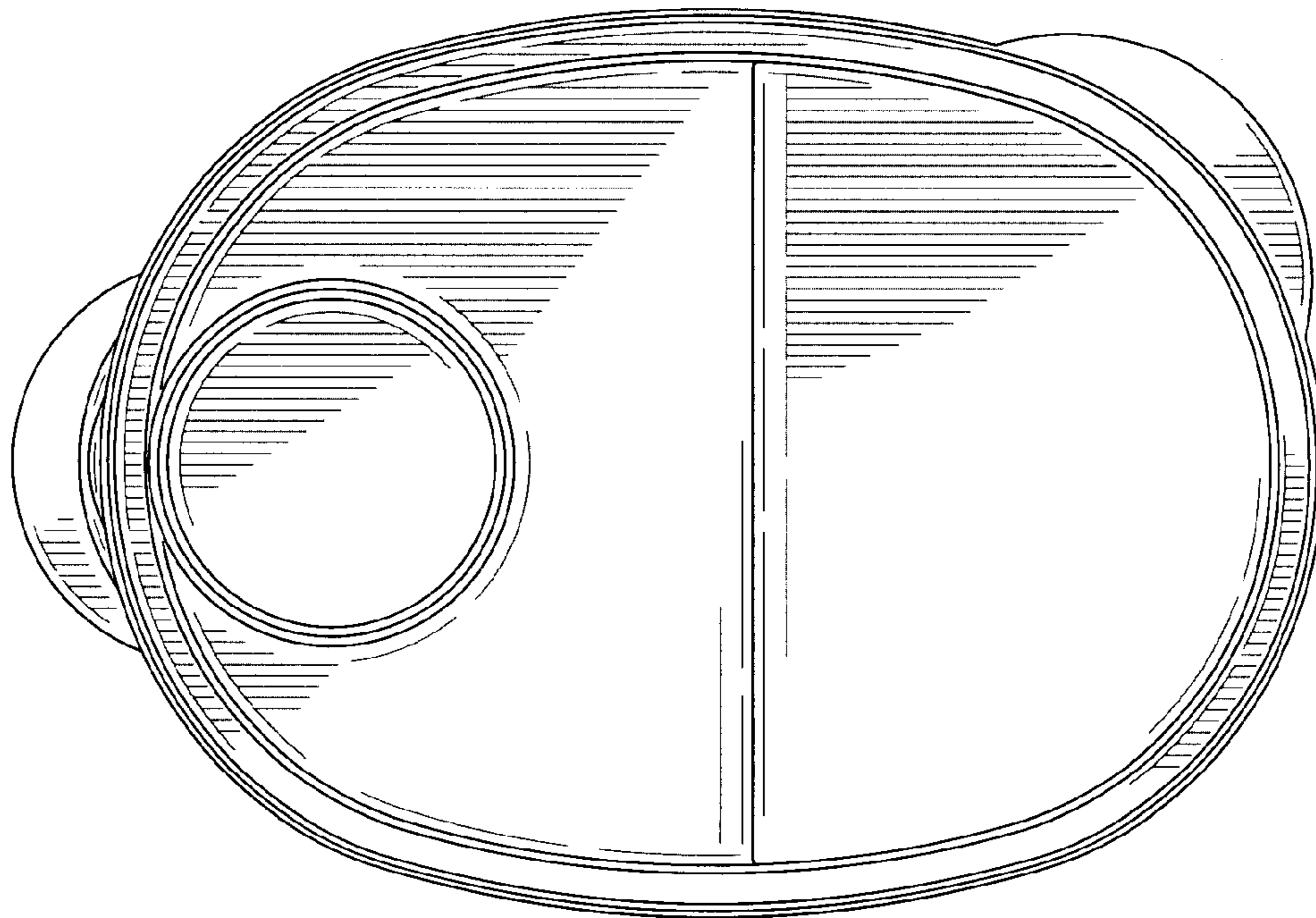


FIG. 7