



US00D525822S

(12) **United States Design Patent**  
**Lajole**

(10) **Patent No.:** **US D525,822 S**

(45) **Date of Patent:** **\*\* Aug. 1, 2006**

(54) **BARBECUE COVER HOLDER**

D358,073 S \* 5/1995 Eckert ..... D7/368

(76) Inventor: **Robert Lajole**, 468 Lakeshore Dr.,  
North Bay, Ontario (CA), F1A 3B1

\* cited by examiner

*Primary Examiner*—Terry A. Wallace

(\*\*) Term: **14 Years**

(74) *Attorney, Agent, or Firm*—Renner, Otto, Boisselle &  
Sklar, LLP

(21) Appl. No.: **29/219,584**

(57) **CLAIM**

(22) Filed: **Dec. 17, 2004**

The ornamental design for a barbecue cover holder, as  
shown and described.

(30) **Foreign Application Priority Data**

**DESCRIPTION**

Jun. 18, 2004 (CA) ..... 107345

FIG. 1 is a perspective view of a barbecue cover holder  
showing my new design.

(51) **LOC (8) Cl.** ..... **07-06**

FIG. 2 is a front view of the barbecue cover holder shown  
in FIG. 1.

(52) **U.S. Cl.** ..... **D7/368**

FIG. 3 is a left side view of the barbecue cover holder shown  
in FIG. 1.

(58) **Field of Classification Search** ..... D7/368,  
D7/387, 669, 690; D8/1, 13, 14, 48; 294/27.1,  
294/33, 32, 1.1, 9

FIG. 4 is a rear view of the barbecue cover holder shown in  
FIG. 1.

See application file for complete search history.

FIG. 5 is a right side view of the barbecue cover holder  
shown in FIG. 1.

(56) **References Cited**

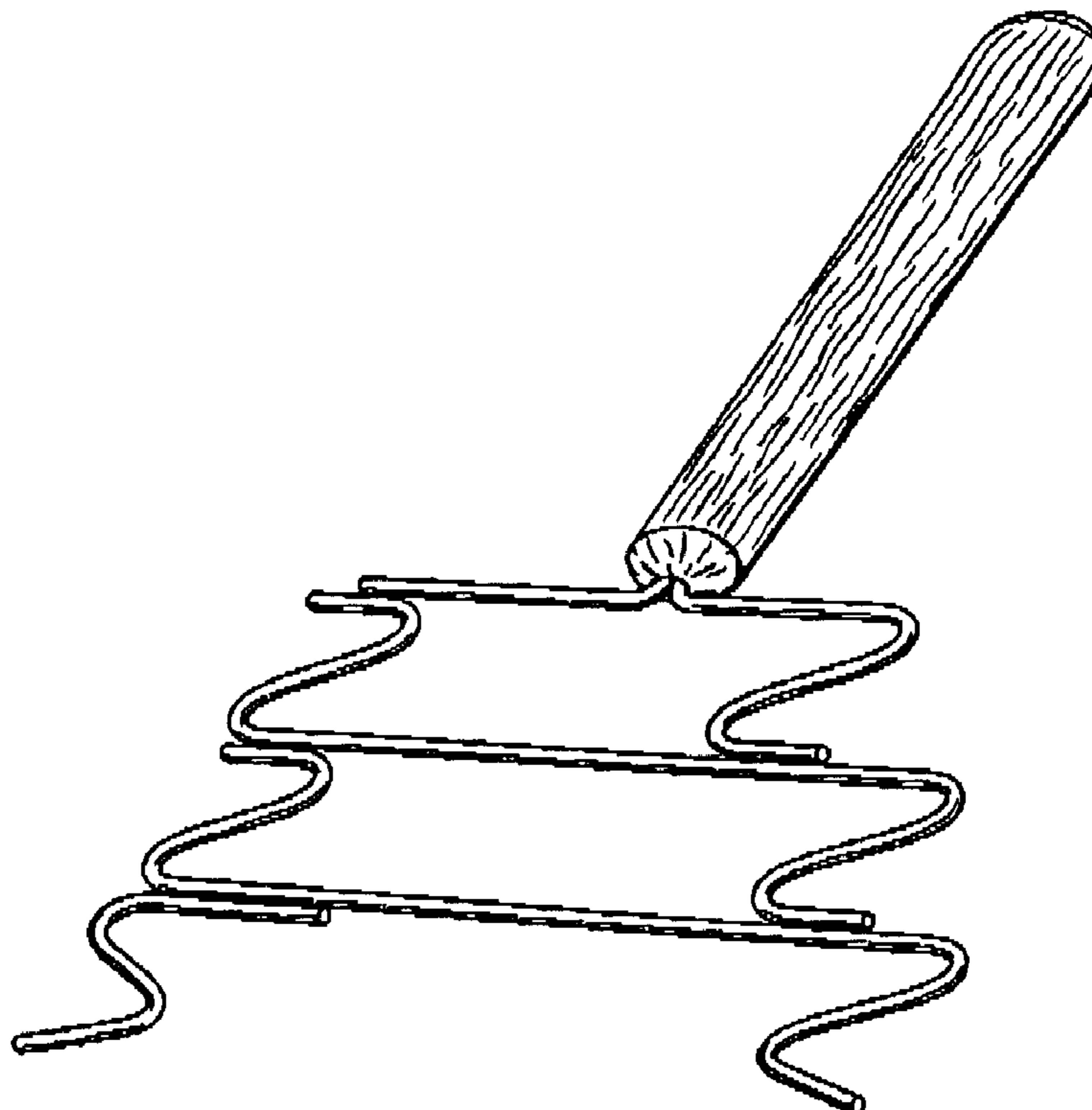
FIG. 6 is a top plan view of the barbecue cover holder shown  
in FIG. 1; and,

**U.S. PATENT DOCUMENTS**

FIG. 7 is a bottom plan view of the barbecue cover holder  
shown in FIG. 1.

1,604,050 A \* 10/1926 Jennings ..... 294/33  
3,285,648 A \* 11/1966 Pryce ..... 294/33  
D218,189 S \* 7/1970 Demetreon ..... D7/690

**1 Claim, 2 Drawing Sheets**



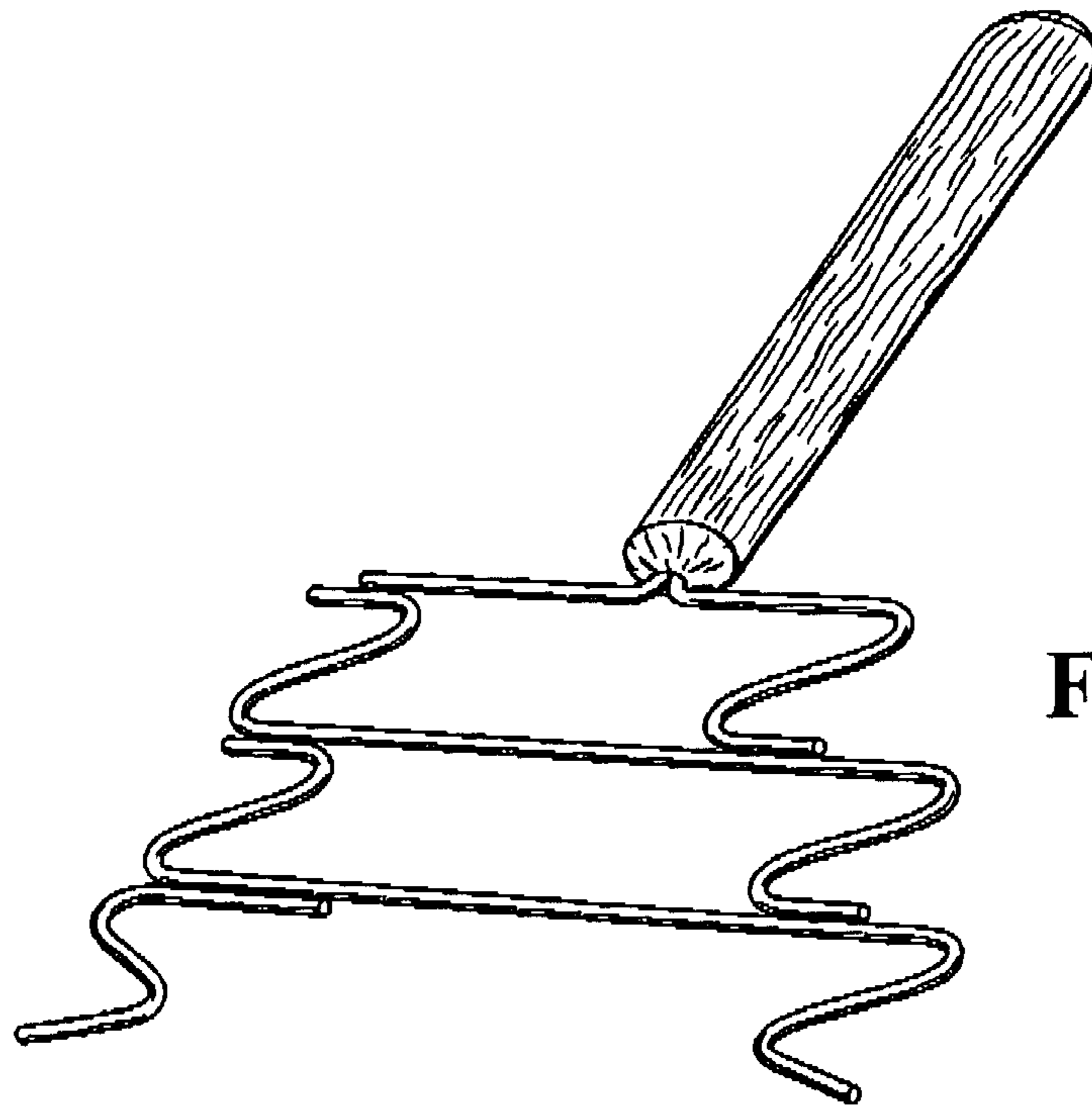


FIG. 1

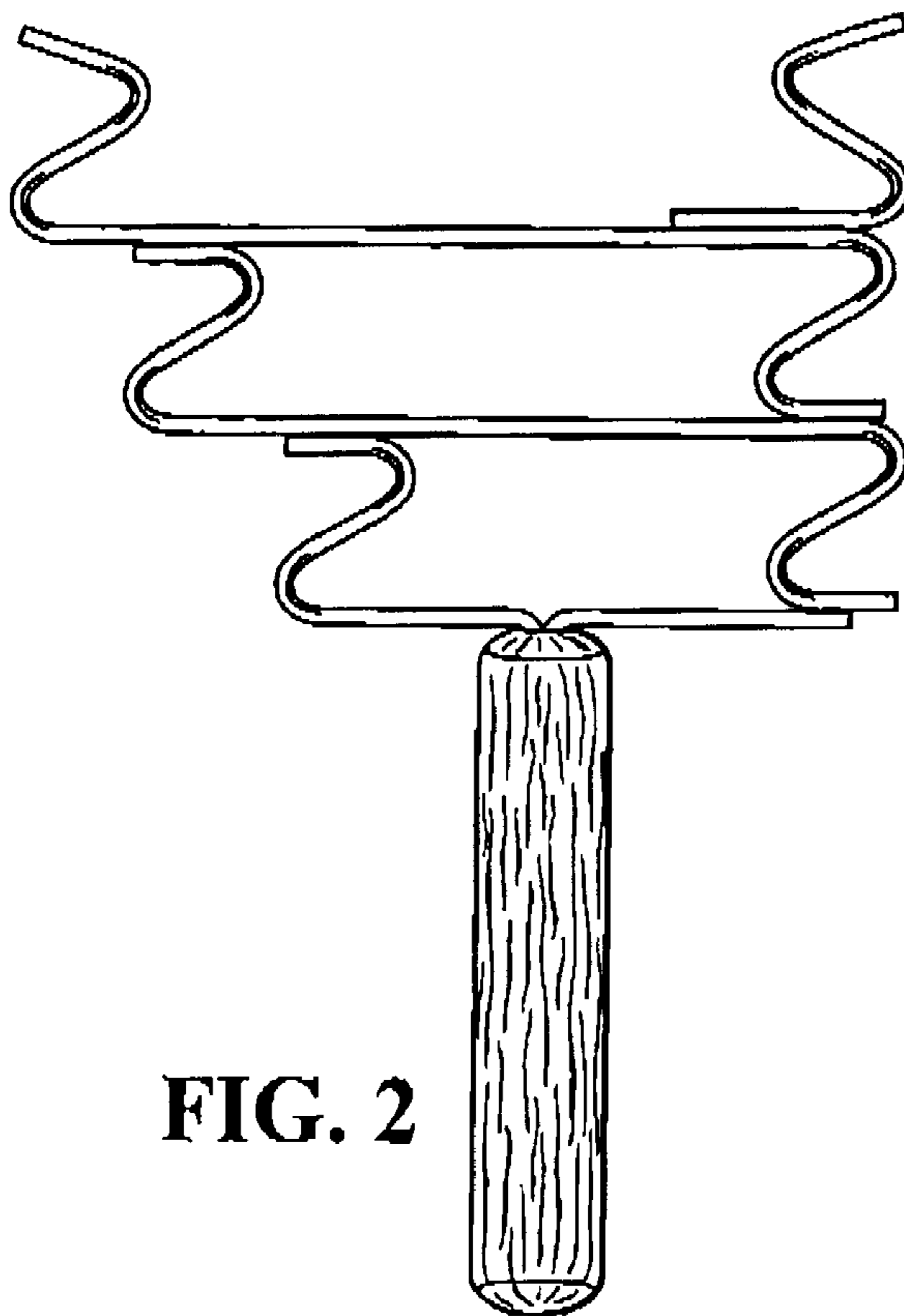


FIG. 2



FIG. 3

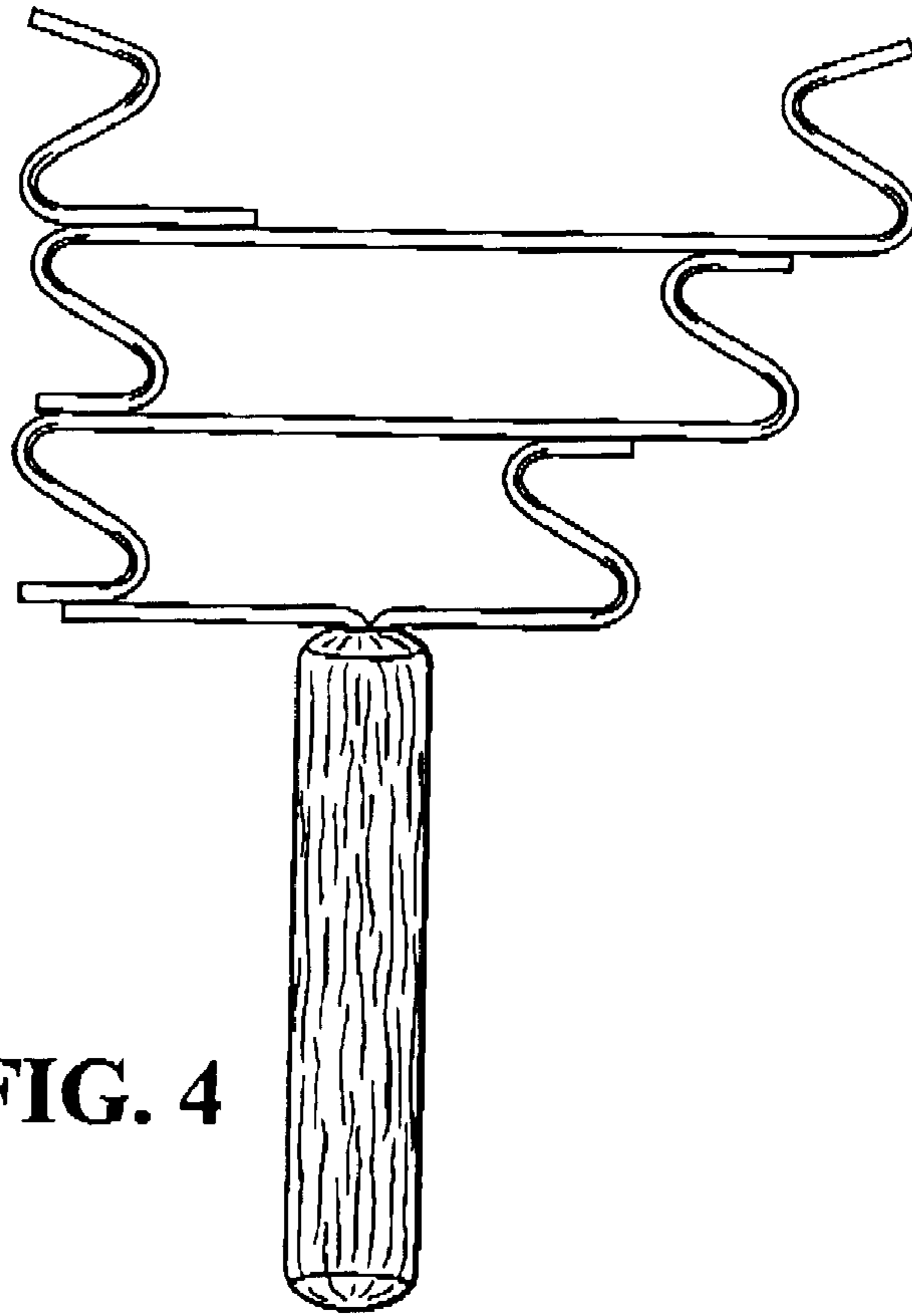


FIG. 4



FIG. 5

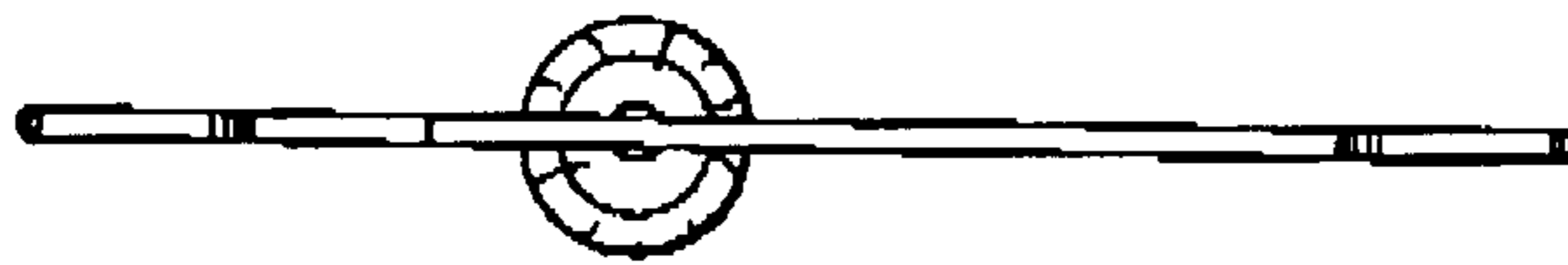


FIG. 6

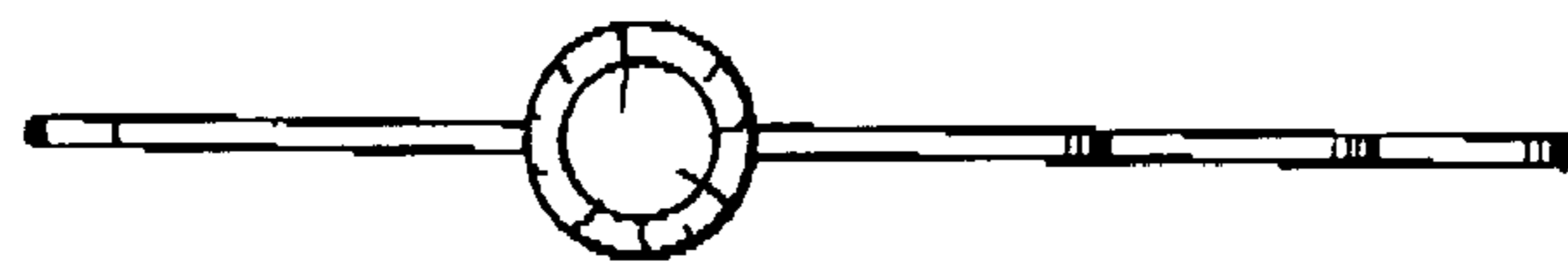


FIG. 7

UNITED STATES PATENT AND TRADEMARK OFFICE  
**CERTIFICATE OF CORRECTION**

PATENT NO. : Des. 525,822 S  
APPLICATION NO. : 29/219584  
DATED : December 17, 2004  
INVENTOR(S) : Robert Lajoie

Page 1 of 1

It is certified that error appears in the above-identified patent and that said Letters Patent is hereby corrected as shown below:

On the Title page, Item (12), please replace "Lajole" with -- Lajoie --.

On the Title page, Item (76), please replace "Lajole" with -- Lajoie --.

Signed and Sealed this

Seventeenth Day of October, 2006

A handwritten signature in black ink on a light gray dotted background. The signature reads "Jon W. Dudas" in a cursive style.

JON W. DUDAS

*Director of the United States Patent and Trademark Office*

UNITED STATES PATENT AND TRADEMARK OFFICE  
**CERTIFICATE OF CORRECTION**

PATENT NO. : Des. 525,822 S  
APPLICATION NO. : 29/219584  
DATED : August 1, 2006  
INVENTOR(S) : Robert Lajoie

Page 1 of 1

It is certified that error appears in the above-identified patent and that said Letters Patent is hereby corrected as shown below:

On the Title page, Item (12), please replace "Lajole" with -- Lajoie --.

On the Title page, Item (76), please replace "Lajole" with -- Lajoie --.

This certificate supersedes Certificate of Correction issued October 17, 2006.

Signed and Sealed this

Twenty-eighth Day of November, 2006

A handwritten signature in black ink on a light gray dotted background. The signature reads "Jon W. Dudas" in a cursive style.

JON W. DUDAS

*Director of the United States Patent and Trademark Office*