



US00D525821S

(12) **United States Design Patent**  
**Latzman et al.**

(10) **Patent No.:** **US D525,821 S**

(45) **Date of Patent:** **\*\* Aug. 1, 2006**

(54) **NESTING FONDUE**

(75) Inventors: **Gary Latzman**, Livingston, NJ (US);  
**Fong Liu**, Shanghai (CN)

(73) Assignee: **Lifetime Hoan Corporation**, Westbury,  
NY (US)

(\*\*) Term: **14 Years**

(21) Appl. No.: **29/225,777**

(22) Filed: **Mar. 18, 2005**

(51) **LOC (8) Cl.** ..... **07-02**

(52) **U.S. Cl.** ..... **D7/355**

(58) **Field of Classification Search** ..... D7/323,  
D7/332-337, 354-361, 366, 402-404; 99/340,  
99/357, 403, 413, 419, 450, 481-482; 126/25 R,  
126/38, 37 A, 40

See application file for complete search history.

(56) **References Cited**

**U.S. PATENT DOCUMENTS**

- 522,399 A \* 7/1894 Beveridge ..... 126/369
- 3,333,526 A \* 8/1967 Kirkpatrick ..... 99/347
- D222,310 S \* 10/1971 Zaunbrecher ..... D7/332
- 3,776,127 A \* 12/1973 Muse ..... 99/482

- 4,300,444 A \* 11/1981 Muse ..... 99/448
- 5,216,947 A \* 6/1993 Cheng ..... 99/417
- D463,948 S \* 10/2002 Innes ..... D7/332
- D466,755 S \* 12/2002 Henry ..... D7/323
- D481,903 S \* 11/2003 Hester ..... D7/332
- D486,348 S \* 2/2004 Zhu ..... D7/332

\* cited by examiner

*Primary Examiner*—Caron D. Veynar

*Assistant Examiner*—Ricky Pham

(74) *Attorney, Agent, or Firm*—Jenkins & Gilchrist, PC

(57) **CLAIM**

The ornamental design for the nesting fondue, as shown and described.

**DESCRIPTION**

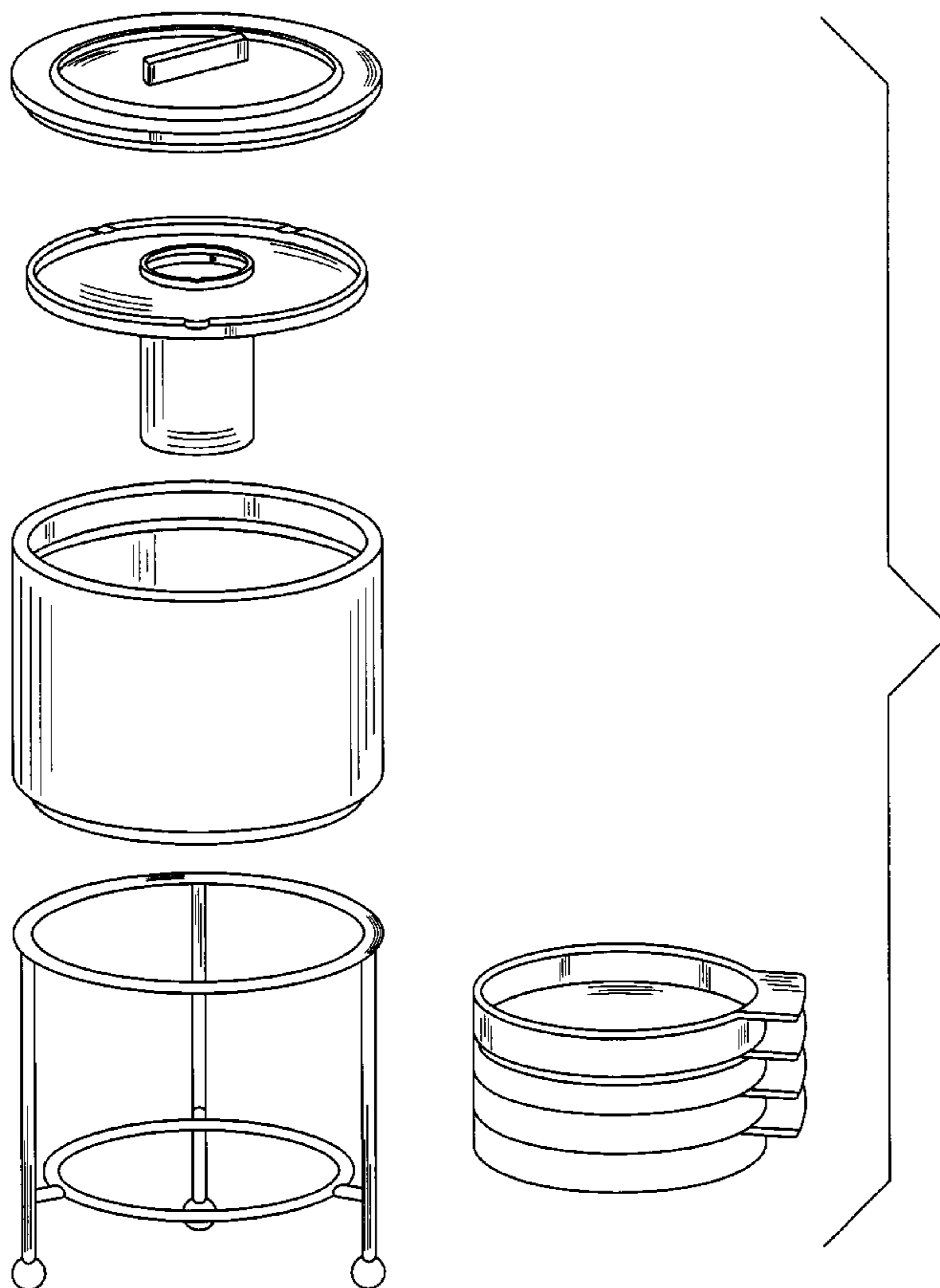
FIG. 1 is a perspective view of a nesting fondue in accordance with our design;

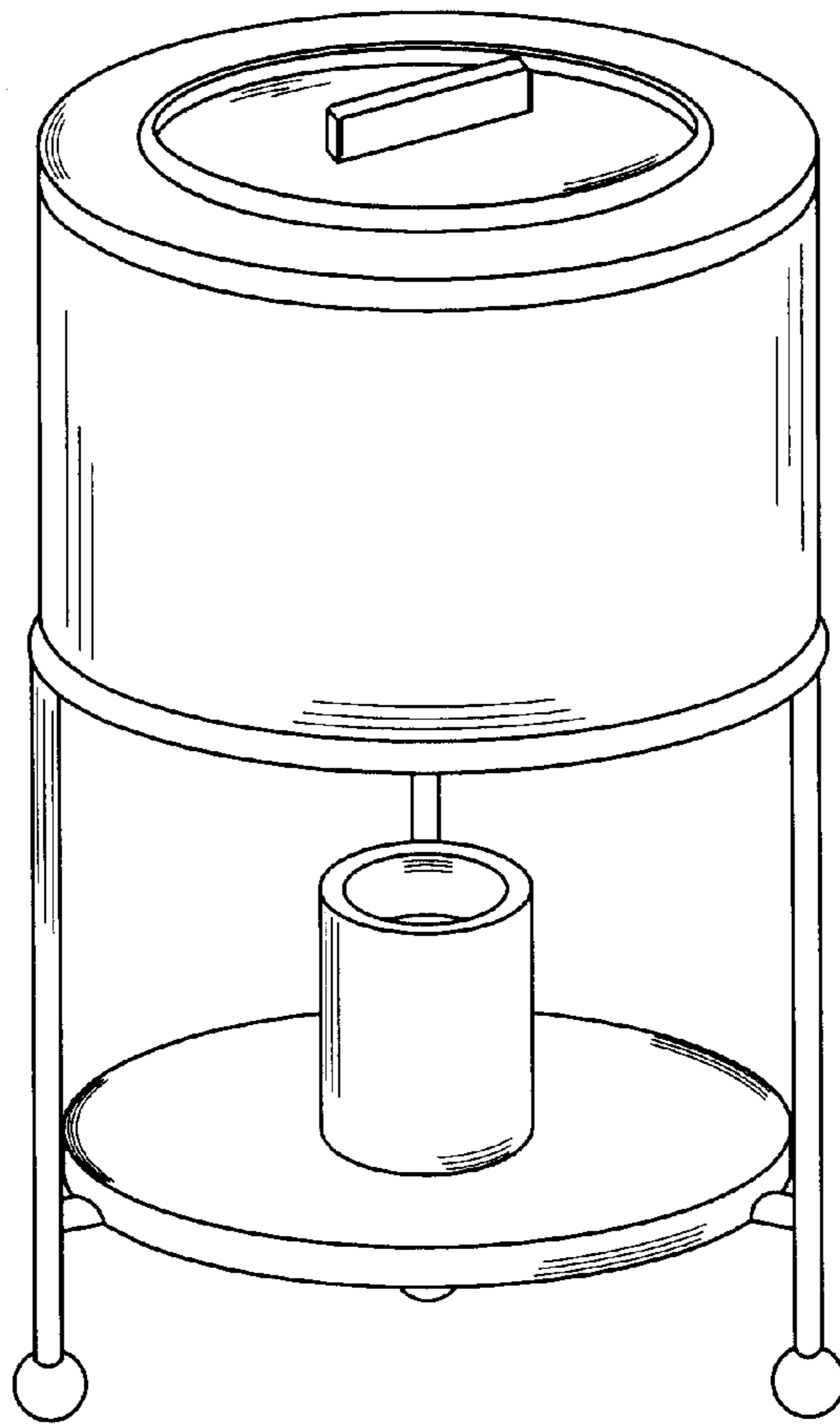
FIG. 2 is a perspective view of the nesting fondue along with ramekins in accordance with our design; and,

FIG. 3 is an exploded perspective view of the nesting fondue in accordance with our design.

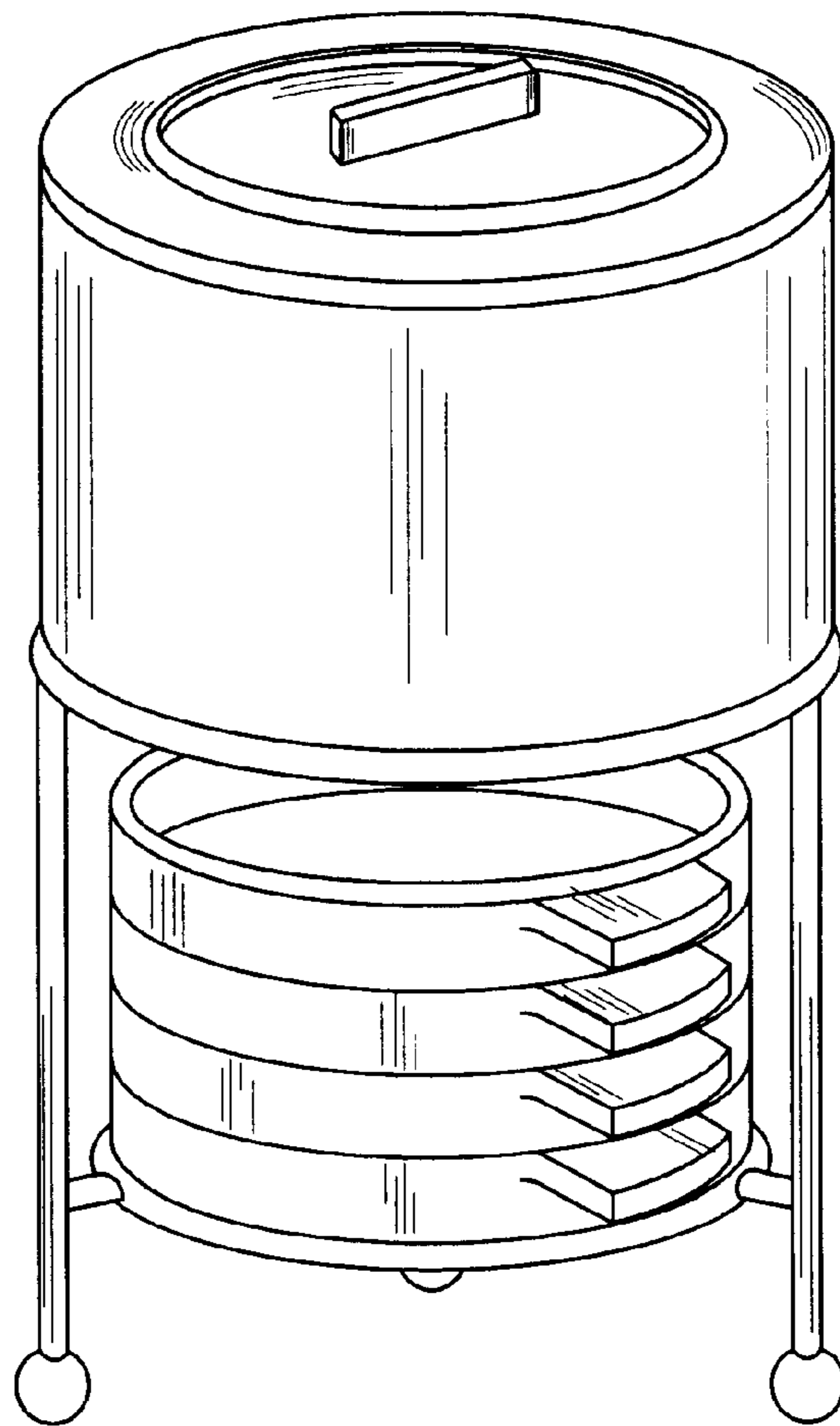
The broken lines showing environmental structure are for illustrative purposes and form no part of the claimed design.

**1 Claim, 3 Drawing Sheets**





*FIG. 1*



*FIG. 2*

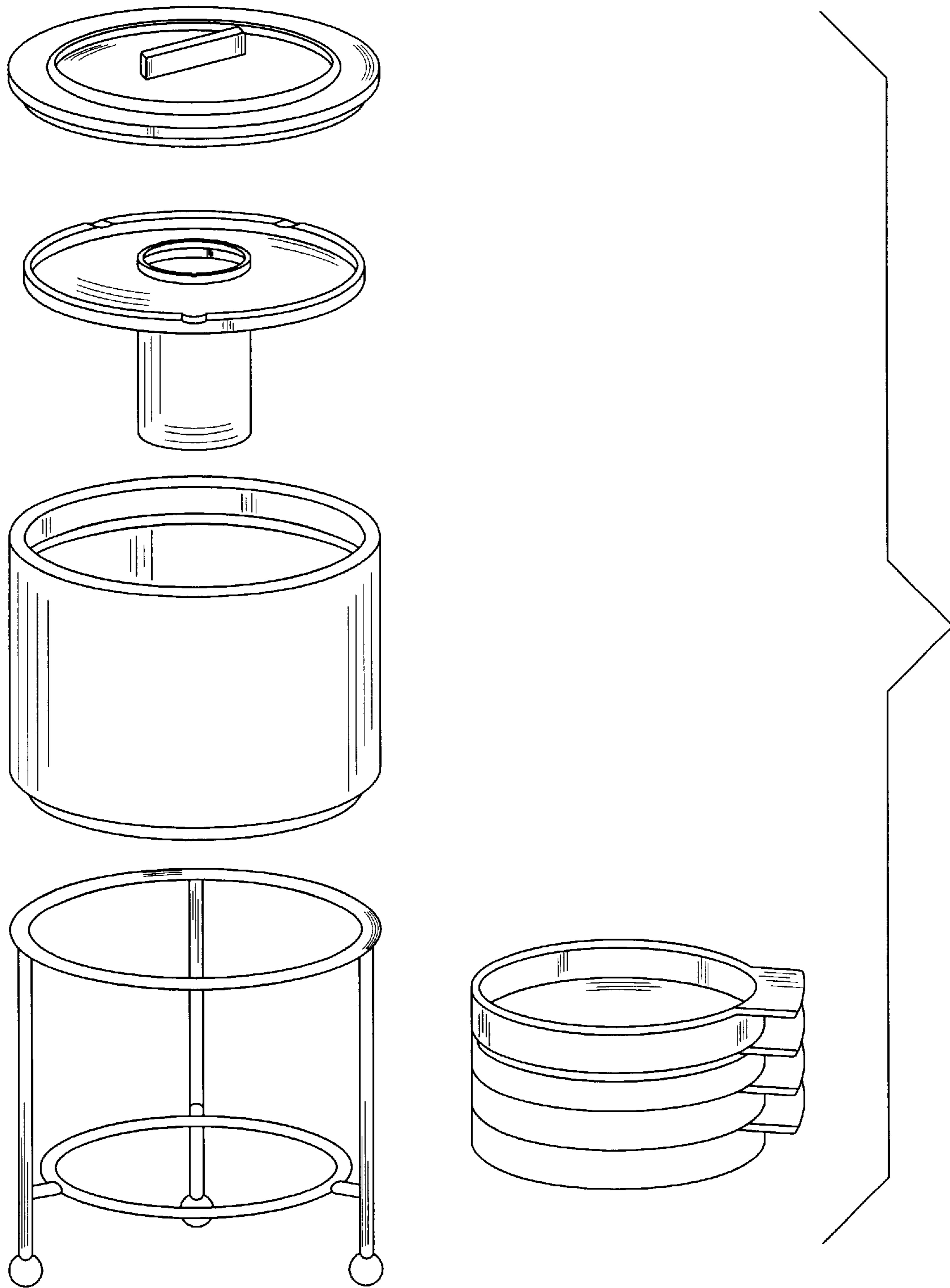


FIG. 3