



US00D525820S

(12) **United States Design Patent**  
**Öztiryaki**

(10) **Patent No.:** **US D525,820 S**

(45) **Date of Patent:** **\*\* \*Aug. 1, 2006**

(54) **GASTRONORM BASIN**

(75) Inventor: **Tahsin Öztiryaki**, Istanbul (TR)

(73) Assignee: **Oztiryakiler Madeni ESYA Sanayi ve Ticaret Anonim Sirketi**, Istanbul (TR)

(\*) Notice: This patent is subject to a terminal disclaimer.

(\*\*) Term: **14 Years**

(21) Appl. No.: **29/208,721**

(22) Filed: **Jul. 6, 2004**

(30) **Foreign Application Priority Data**

Apr. 19, 2004 (TR) ..... 47697

(51) **LOC (8) Cl.** ..... **07-02**

(52) **U.S. Cl.** ..... **D7/354**

(58) **Field of Classification Search** ..... D7/354-361,  
D7/545, 554.3; D8/18, 34; D9/345, 415,  
D9/423-426, 434-435; 206/216, 427, 459.5,  
206/508, 515, 518, 564, 592, 593; 220/4.21,  
220/200, 212, 256, 309.1, 309.2, 380, 780-790,  
220/801, 912; D3/314

See application file for complete search history.

(56) **References Cited**

**U.S. PATENT DOCUMENTS**

D268,622 S \* 4/1983 Wolters et al. .... D3/314  
D289,844 S \* 5/1987 Daenen et al. .... D7/354

D363,665 S \* 10/1995 Goto et al. .... D9/434  
D415,656 S \* 10/1999 Henry ..... D7/545  
D422,836 S \* 4/2000 Mittmann ..... D7/354  
D431,148 S \* 9/2000 Mittmann ..... D7/354  
D432,866 S \* 10/2000 Harrison ..... D7/545  
D435,390 S \* 12/2000 Mittmann ..... D7/354  
D443,173 S \* 6/2001 Danielsen et al. .... D7/354  
D446,993 S \* 8/2001 Zank ..... D7/354  
D446,994 S \* 8/2001 Zank ..... D7/354  
D449,205 S \* 10/2001 Zank ..... D7/354  
D469,300 S \* 1/2003 Nakazawa ..... D7/354  
D489,226 S \* 5/2004 De Neubourg ..... D7/554.3

\* cited by examiner

*Primary Examiner*—Caron D. Veynar

*Assistant Examiner*—Ricky Pham

(74) *Attorney, Agent, or Firm*—Egbert Law Offices

(57) **CLAIM**

I claim the ornamental design for a gastronorm basin, as shown and described.

**DESCRIPTION**

FIG. 1 is a perspective view of the gastronorm basin showing my design.

FIG. 2 is a right side elevational view thereof; the left side being a mirror image;

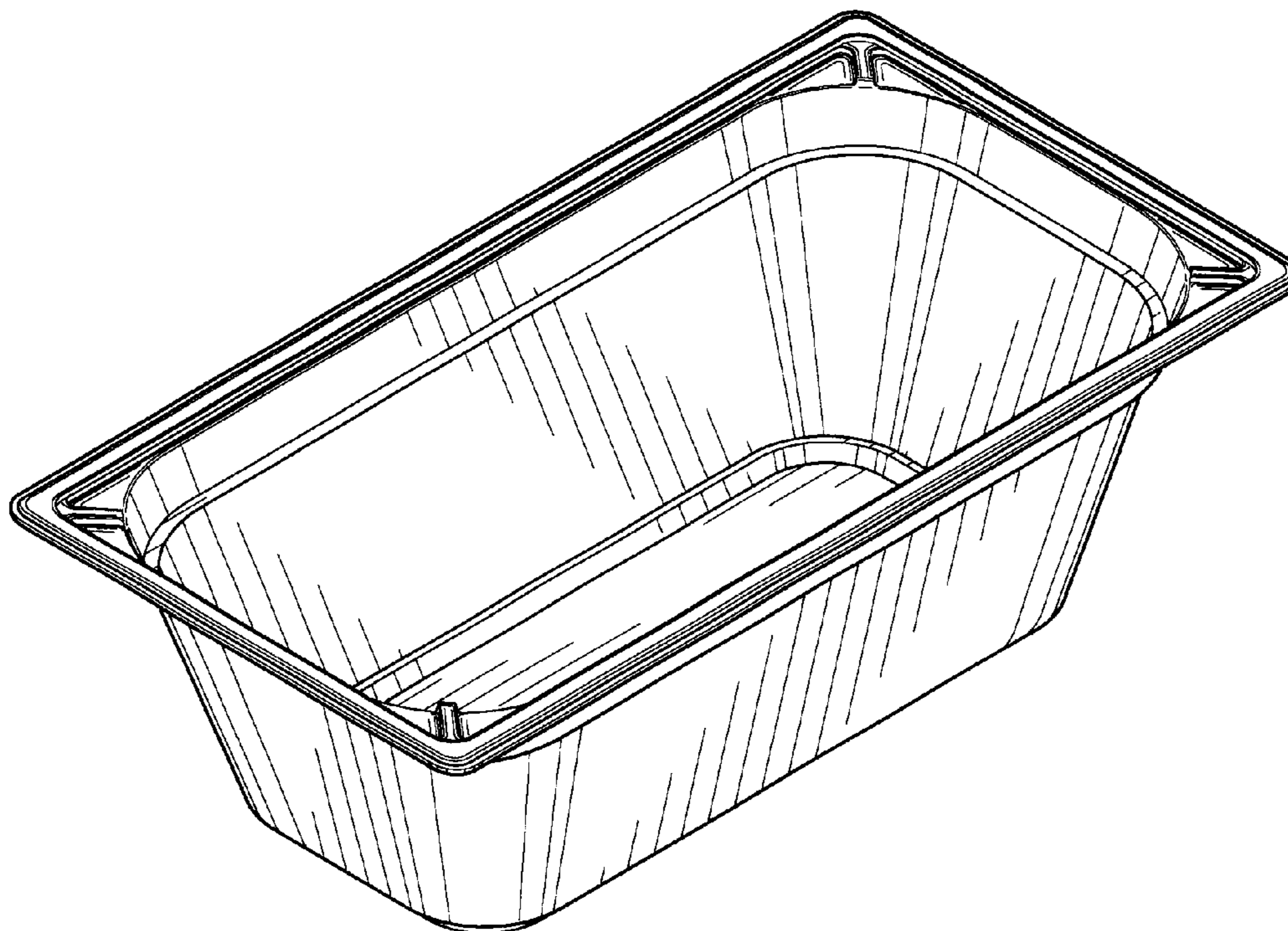
FIG. 3 is a front elevational view thereof; the rear view being a mirror image;

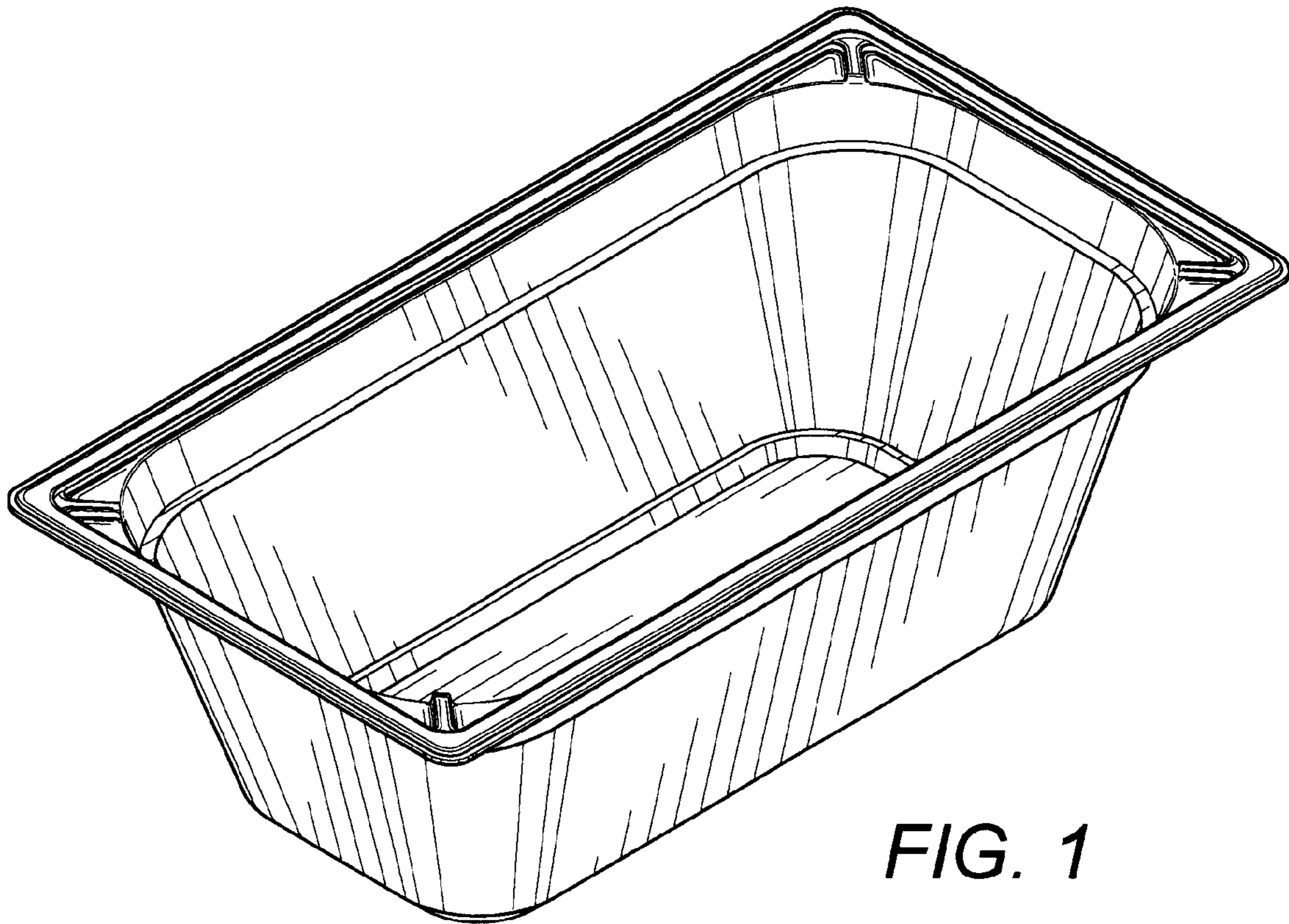
FIG. 4 is a top plan view thereof;

FIG. 5 is a bottom plan view thereof; and,

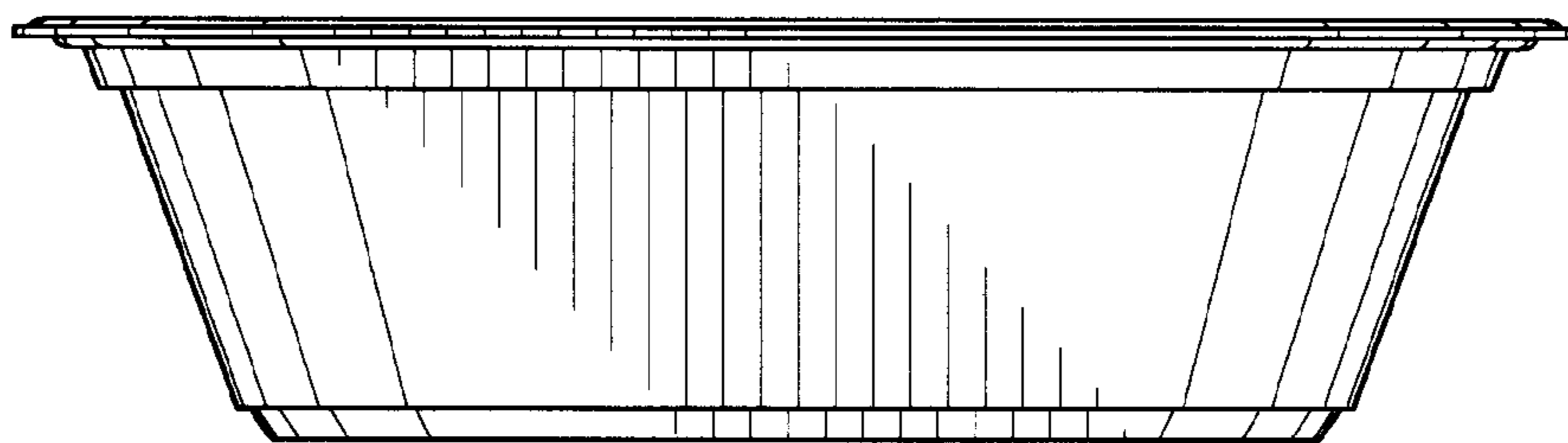
FIG. 6 is an enlarged top corner plan view thereof.

**1 Claim, 3 Drawing Sheets**

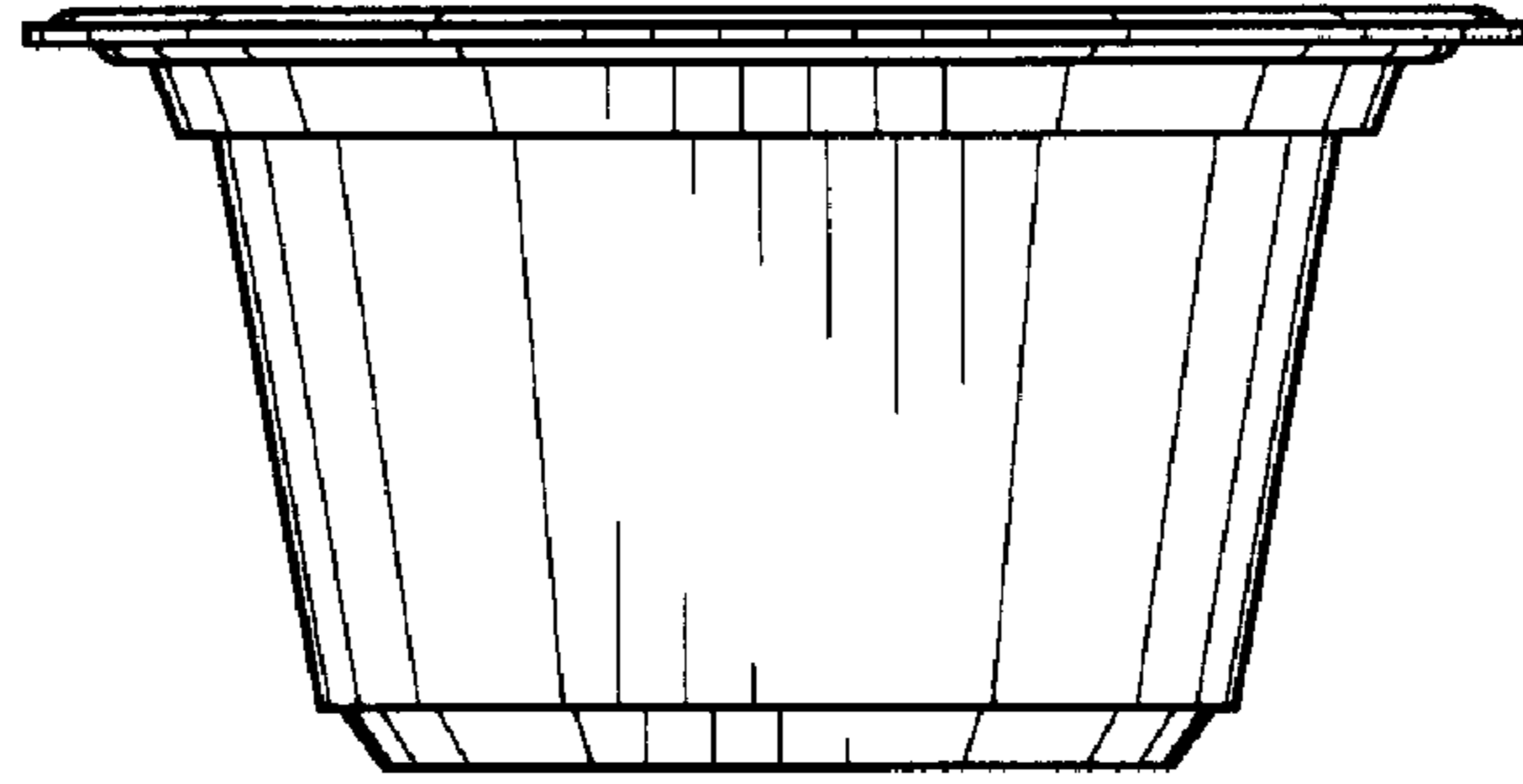




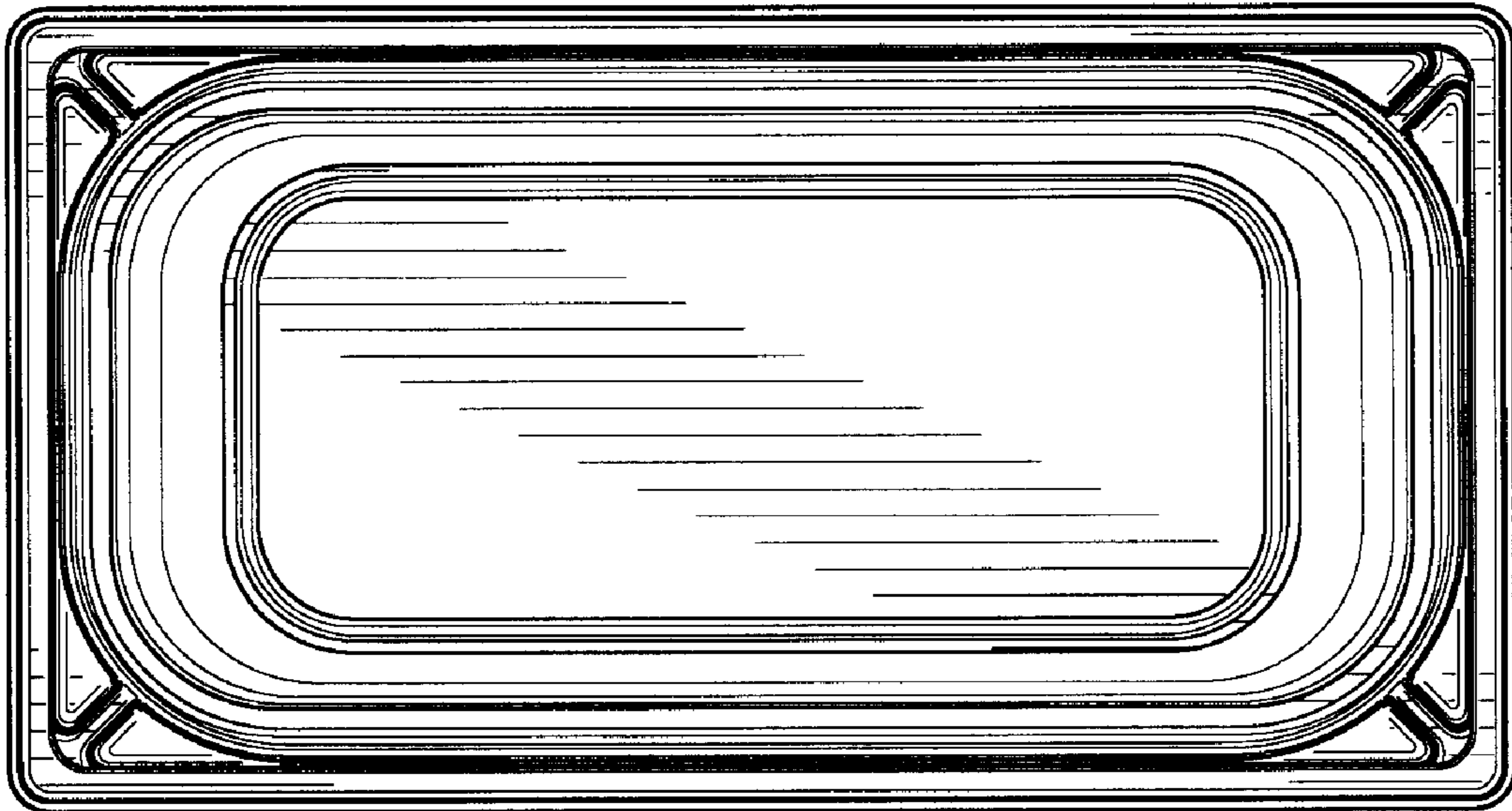
**FIG. 1**



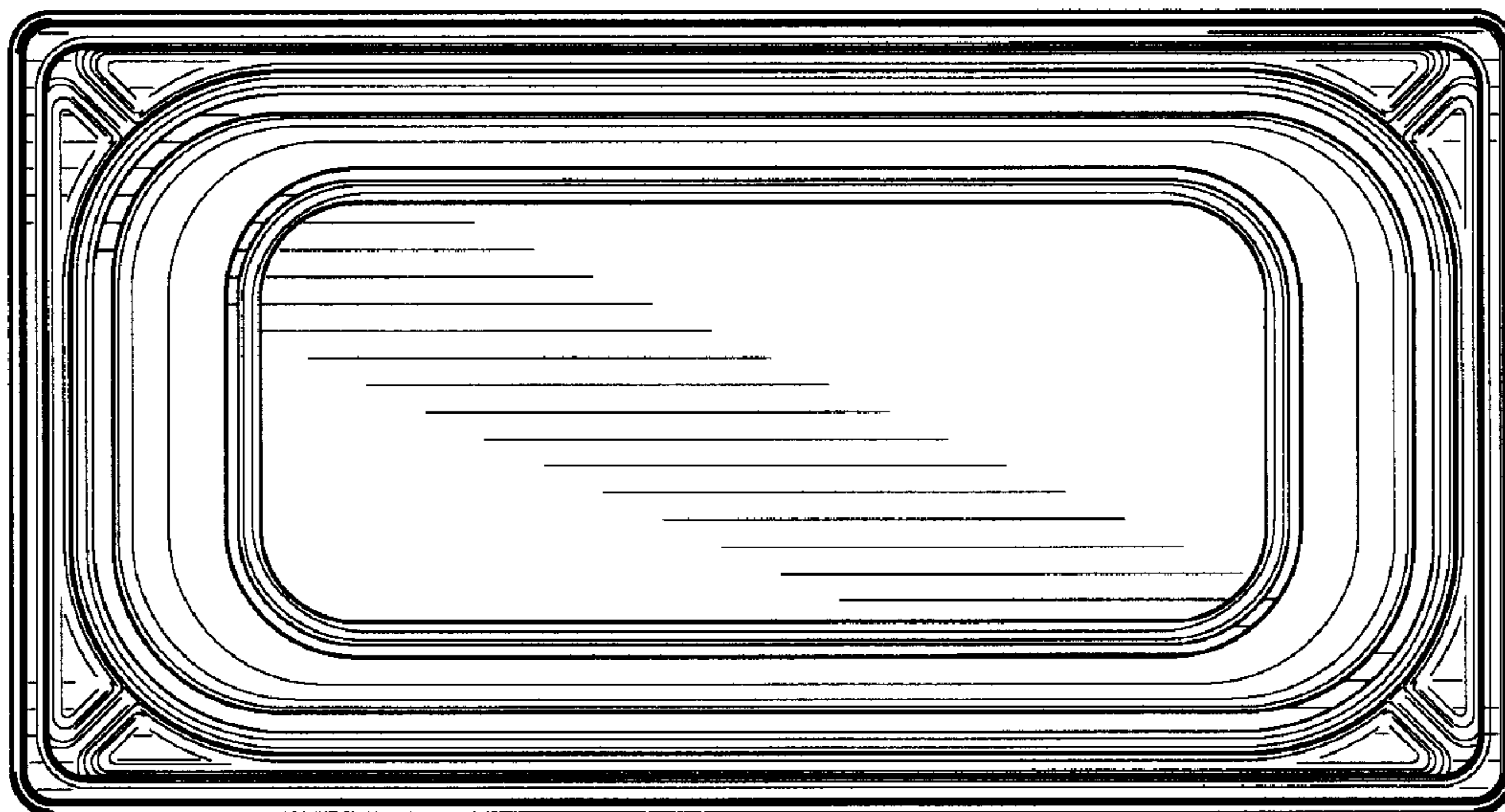
**FIG. 2**



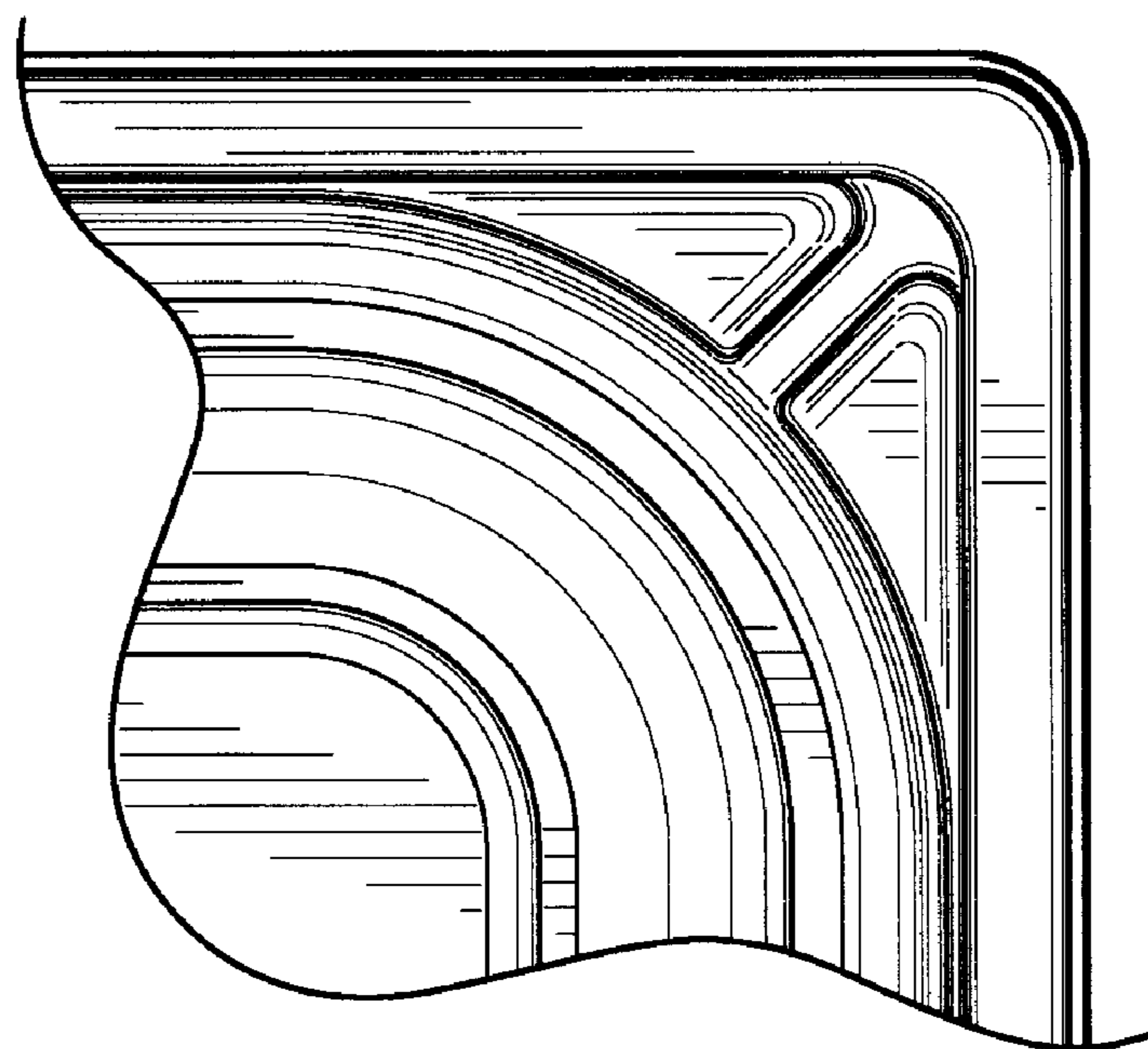
*FIG. 3*



*FIG. 4*



**FIG. 5**



**FIG. 6**