

US00D525816S

(12) **United States Design Patent**  
**Felty**

(10) **Patent No.:** **US D525,816 S**

(45) **Date of Patent:** **\*\* Aug. 1, 2006**

(54) **BEVERAGE BREWER**

(75) Inventor: **David S. Felty**, Eau Claire, WI (US)

(73) Assignee: **Marketing Resources International, Inc.**, Eau Claire, WI (US)

(\*\*) Term: **14 Years**

(21) Appl. No.: **29/218,397**

(22) Filed: **Dec. 1, 2004**

(51) **LOC (8) Cl.** ..... **07-01**

(52) **U.S. Cl.** ..... **D7/309; D7/311; D7/307**

(58) **Field of Classification Search** ..... D7/300,  
D7/305-312; 99/295, 287, 300, 280, 282;  
771/129.1-129.4

See application file for complete search history.

(56) **References Cited**

**U.S. PATENT DOCUMENTS**

D235,816 S	*	7/1975	Hall	.....	D7/308
D250,195 S	*	11/1978	Salmons et al.	.....	D7/311
D283,779 S	*	5/1986	Beeren	.....	D7/309
D366,385 S	*	1/1996	Alessi Anghii et al.	.....	D7/309
D449,197 S	*	10/2001	Byler	.....	D7/309

D449,954 S	*	11/2001	Warfel et al.	.....	D7/309
D459,936 S	*	7/2002	Woebcke et al.	.....	D7/308
D461,357 S	*	8/2002	Harrison et al.	.....	D7/306
D481,253 S	*	10/2003	Luzzato	.....	D7/306
D502,627 S	*	3/2005	Cahen	.....	D7/306
D503,064 S	*	3/2005	Since	.....	D7/309
D505,822 S	*	6/2005	De Gooijer	.....	D7/307

\* cited by examiner

*Primary Examiner*—M. N. Pandozzi

(74) *Attorney, Agent, or Firm*—Paul Denk

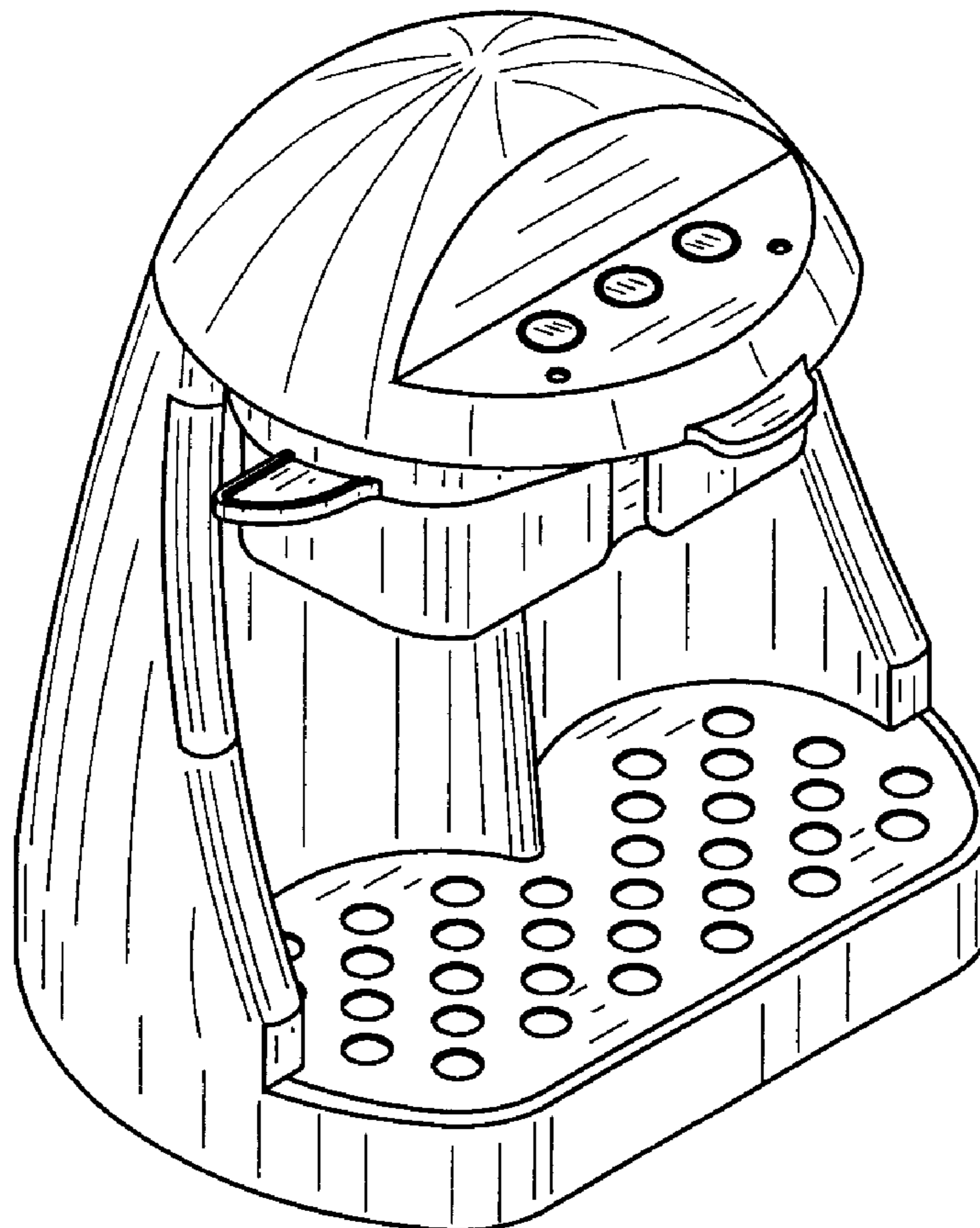
(57) **CLAIM**

The ornamental design for the beverage brewer, as shown and described.

**DESCRIPTION**

FIG. 1 is an isometric view of a two cup mini coffee brewer; FIG. 2 is a front view thereof; FIG. 3 is a rear view thereof; FIG. 4 is a left side view thereof; FIG. 5 is a right side view thereof; FIG. 6 is a top plan view; and, FIG. 7 is a bottom view.

**1 Claim, 2 Drawing Sheets**



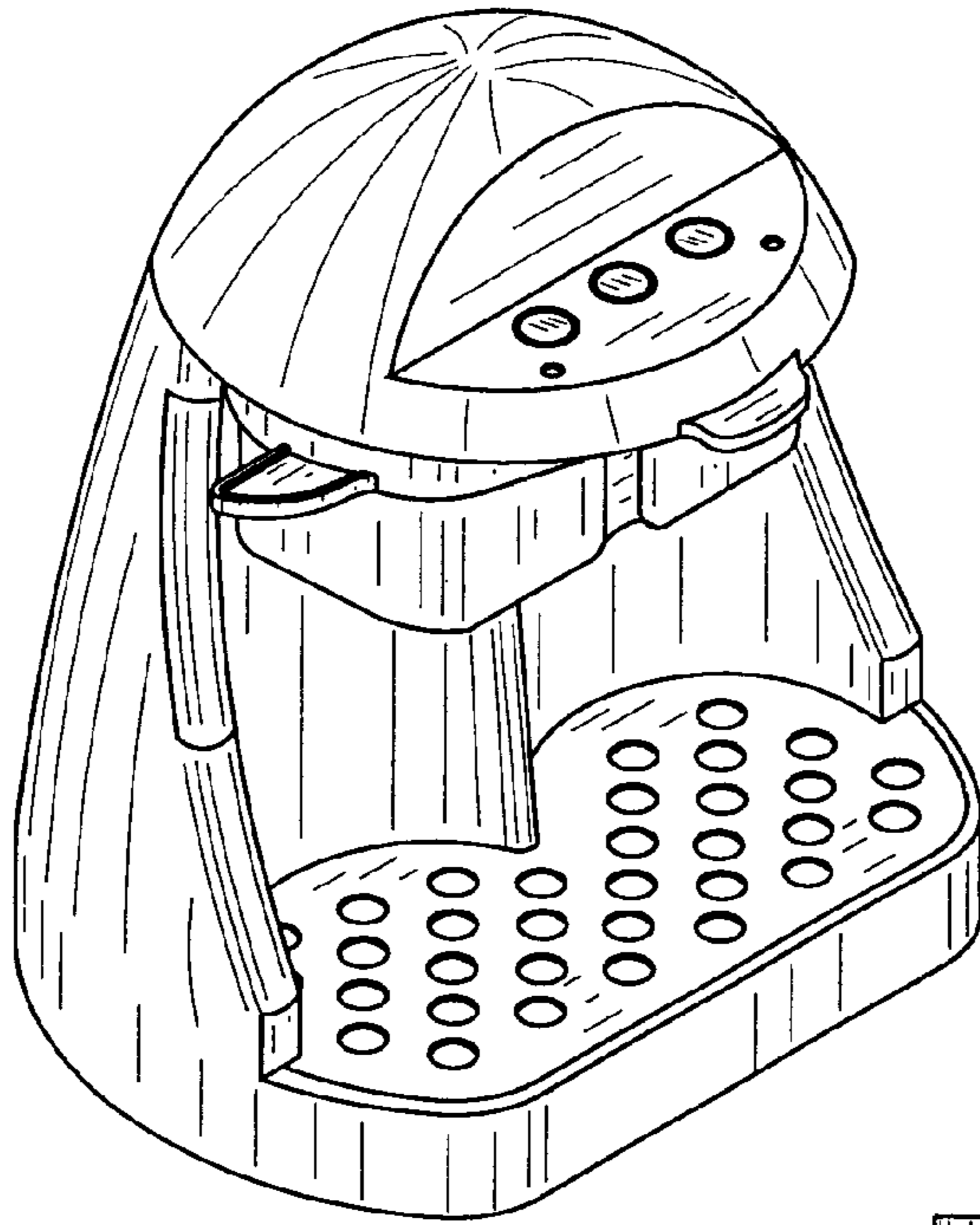


FIG. 1

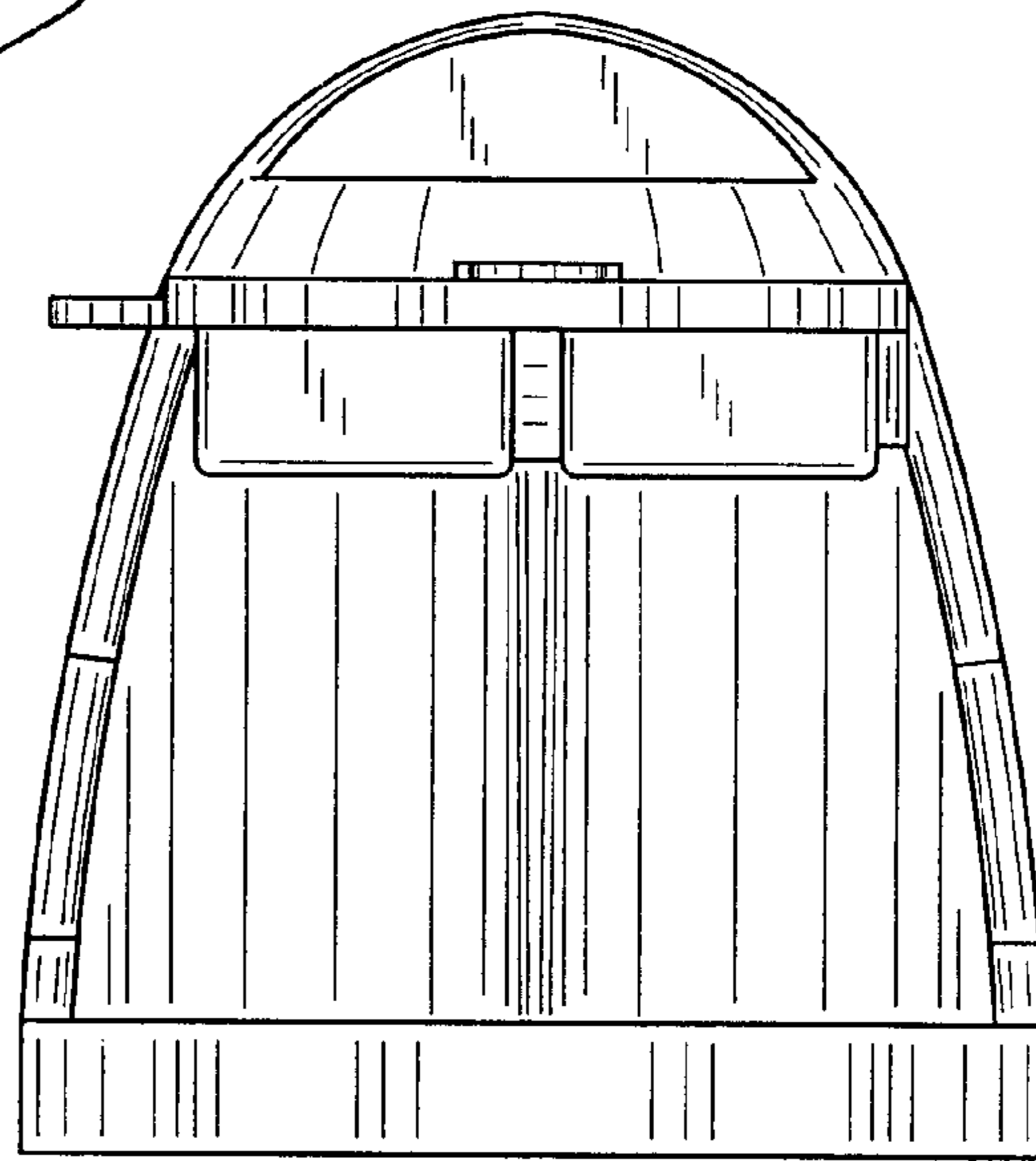


FIG. 2

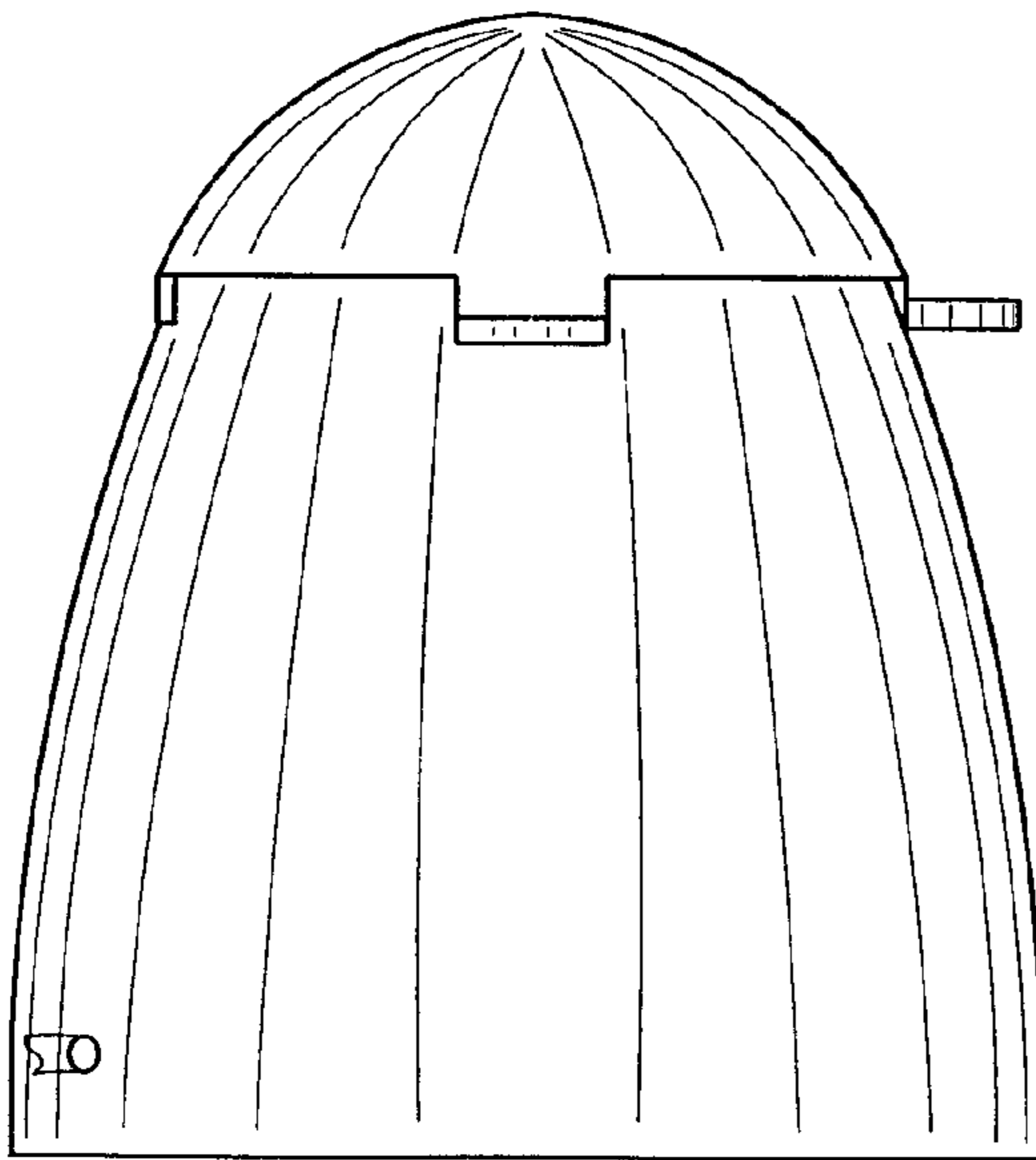


FIG. 3

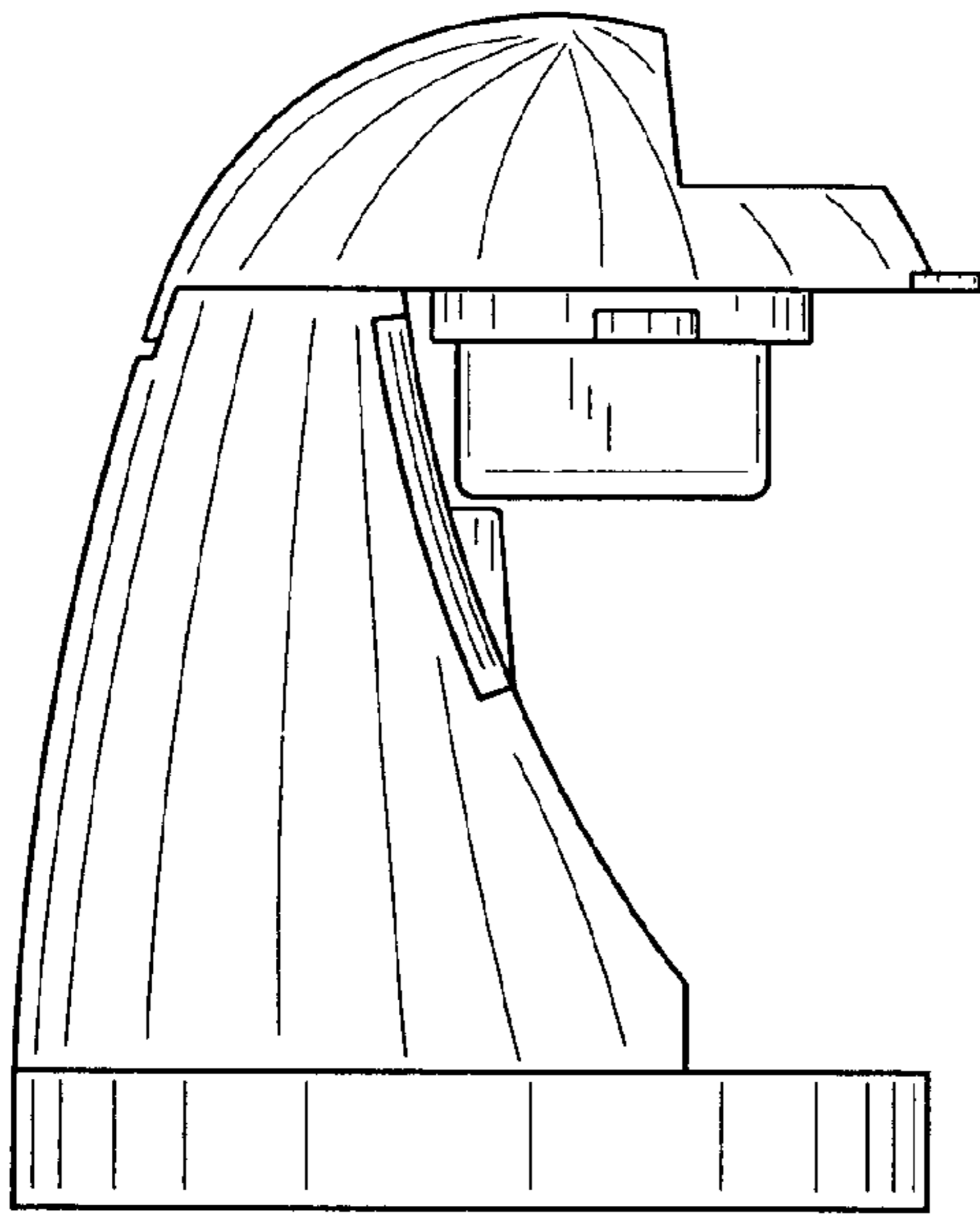


FIG. 4

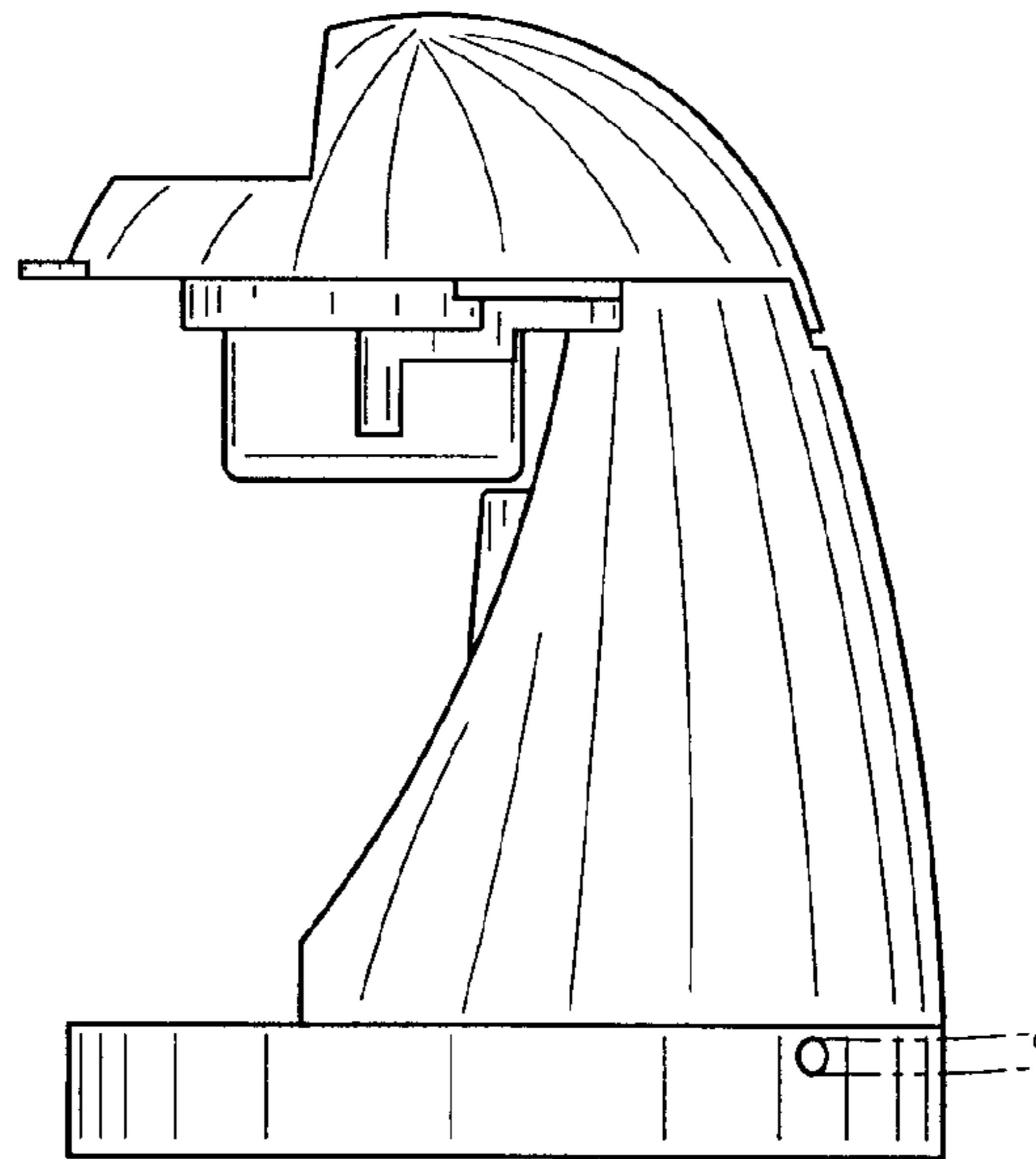


FIG. 5

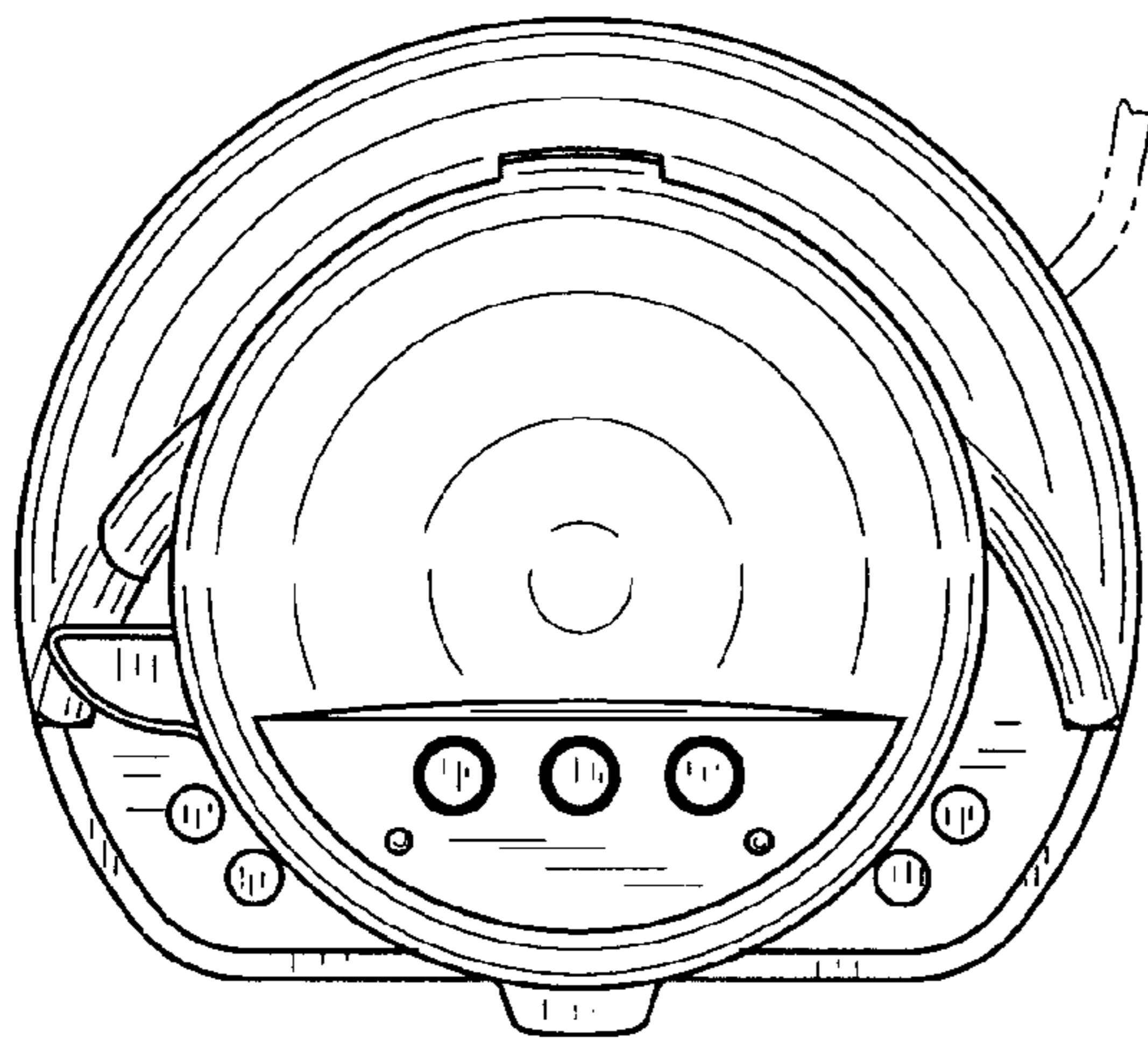


FIG. 6

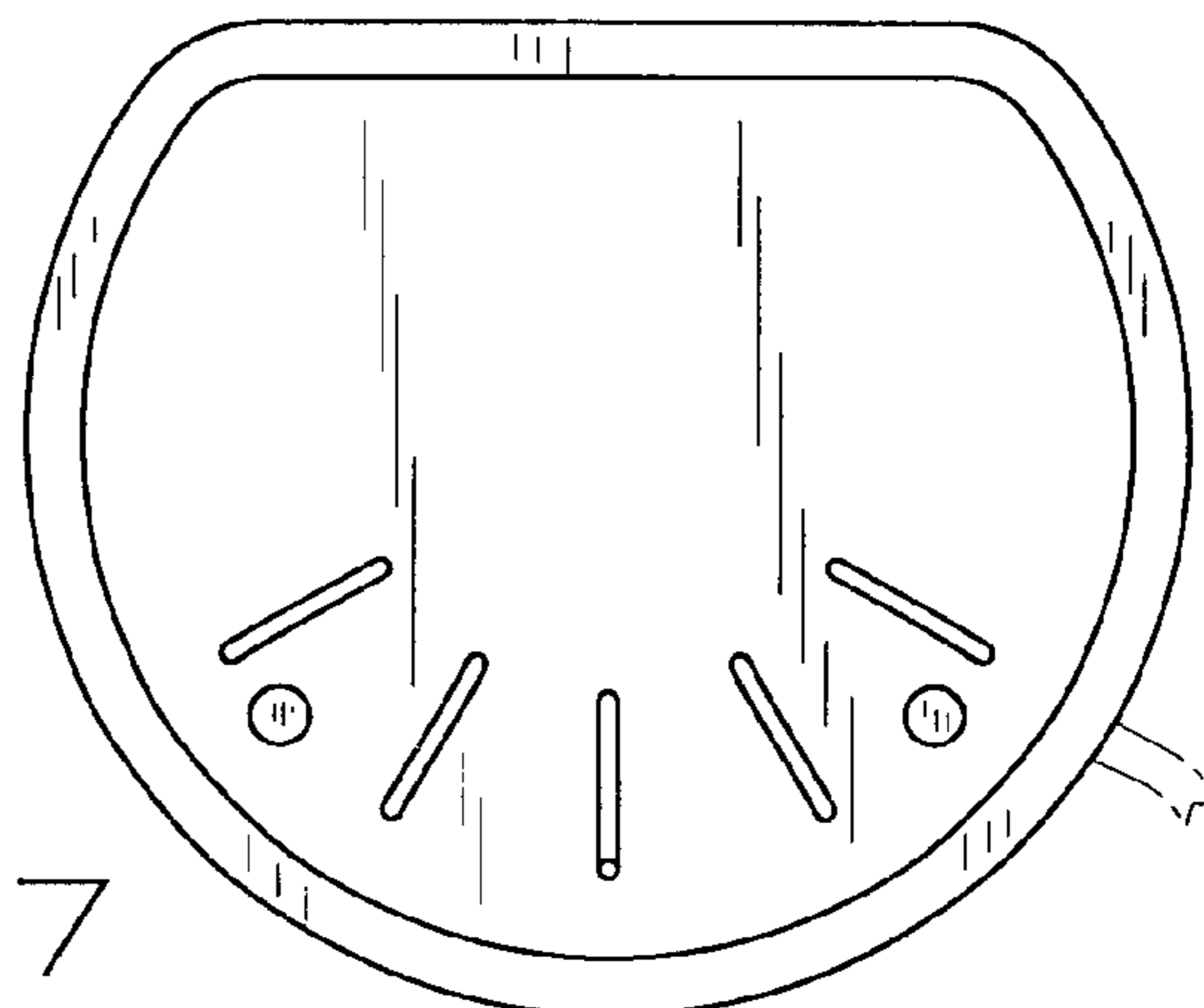


FIG. 7