



US00D525810S

(12) **United States Design Patent** (10) **Patent No.:** **US D525,810 S**  
**Ashby** (45) **Date of Patent:** **\*\* Aug. 1, 2006**

- (54) **SUPPORT FOR A TABLE TOP**
- (75) Inventor: **Kent Ashby**, Logan, UT (US)
- (73) Assignee: **Lifetime Products, Inc.**, Clearfield, UT (US)
- (\*\*) Term: **14 Years**
- (21) Appl. No.: **29/240,858**
- (22) Filed: **Oct. 19, 2005**

- 5,272,825 A 12/1993 Simpson
- 5,353,715 A 10/1994 Luyk
- 5,358,204 A 10/1994 Terada
- D358,954 S 6/1995 Leduc
- 5,741,055 A 4/1998 Chen
- D418,997 S 1/2000 Leveen et al.
- D427,649 S 7/2000 Mak
- 6,327,800 B1 12/2001 Daams
- D467,754 S 12/2002 Chen
- D468,135 S 1/2003 Ashby et al.
- D469,994 S \* 2/2003 Smith ..... D6/499
- 6,530,331 B1 3/2003 Stanford
- 6,550,404 B1 4/2003 Stanford
- D481,567 S \* 11/2003 Ashby et al. .... D6/499
- D493,310 S 7/2004 Ashby et al.
- D498,952 S 11/2004 Strong et al.
- D502,826 S \* 3/2005 Farber et al. .... D6/499
- D503,574 S 4/2005 Yao
- D511,259 S \* 11/2005 Winter ..... D6/499
- 2002/0152934 A1 10/2002 Haney

**Related U.S. Application Data**

- (63) Continuation of application No. 29/223,012, filed on Feb. 8, 2005, now Pat. No. Des. 515,853, which is a continuation of application No. 10/789,859, filed on Feb. 27, 2004.
- (51) **LOC (8) Cl.** ..... **06-06**
- (52) **U.S. Cl.** ..... **D6/499**
- (58) **Field of Classification Search** ..... D6/480-489, D6/422, 495-499, 429-431; 108/130, 153.1, 108/155, 156, 157.1, 161, 115, 118, 119, 108/120, 131; 248/188, 188.1, 188.7, 188.8, 248/164, 432

See application file for complete search history.

\* cited by examiner

*Primary Examiner*—Janice E. Seeger  
(74) *Attorney, Agent, or Firm*—Workman Nydegger

(57) **CLAIM**

The ornamental design for a support for a table top, as shown and described.

(56) **References Cited**

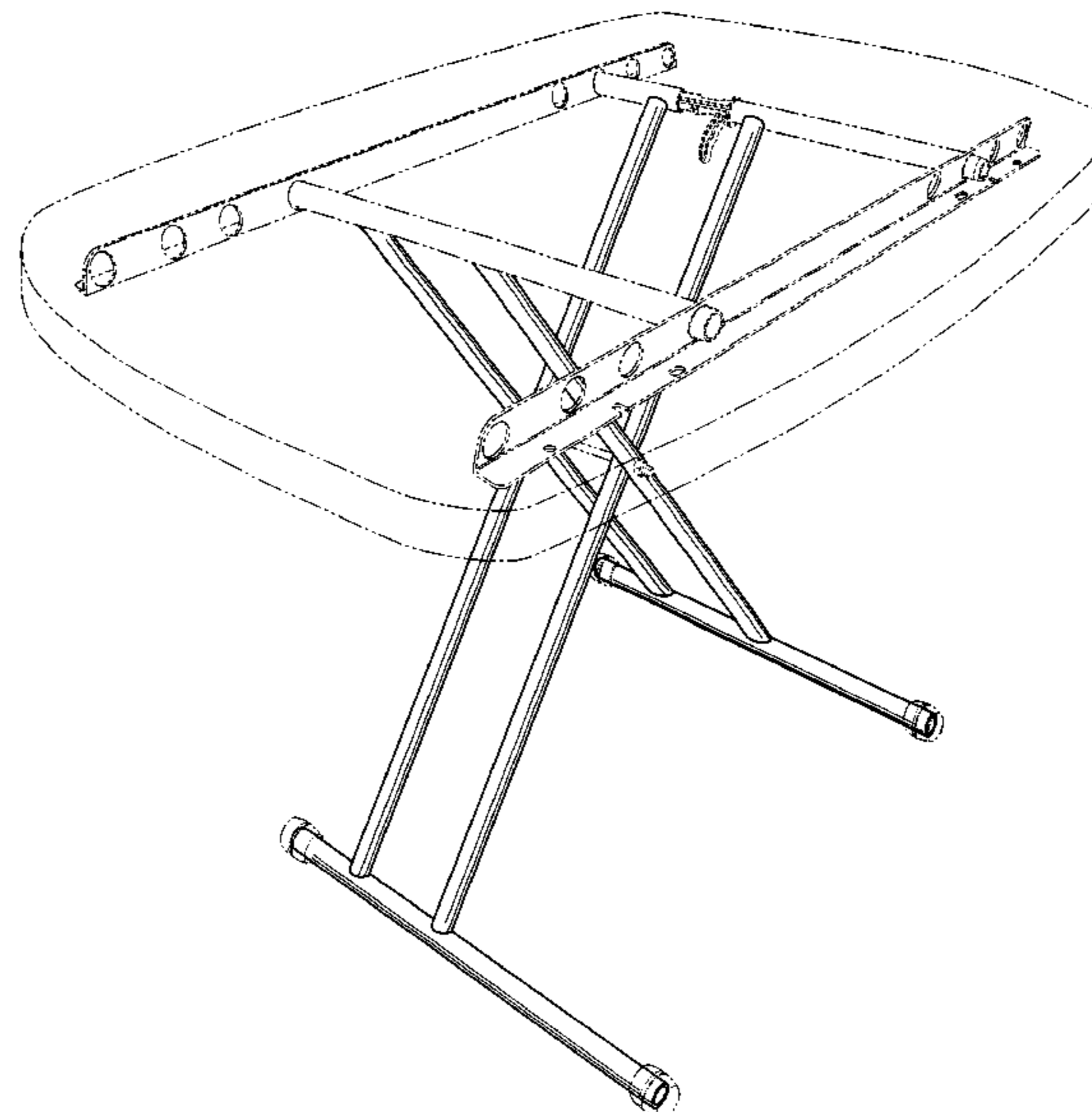
U.S. PATENT DOCUMENTS

- D132,875 S 6/1942 Cooper
- 2,675,286 A 4/1954 Derman
- 2,692,807 A 10/1954 Cordola
- D175,939 S 11/1955 Gettelman
- 2,879,119 A 3/1959 Bullock
- 2,912,775 A 11/1959 Gettelman
- 3,031,243 A 4/1962 Crevoi
- 3,224,389 A 12/1965 Kent
- D233,392 S 10/1974 Hutchison
- 4,168,669 A 9/1979 Arnoff
- 4,951,576 A 8/1990 Cobos et al.

**DESCRIPTION**

FIG. 1 is a perspective view of a support for a table top; FIG. 2 is a top view of the support for a table top; FIG. 3 is a left side view of the support for a table top; FIG. 4 is a bottom view of the support for a table top; FIG. 5 is a right side view of the support for a table top; and, FIG. 6 is a front view of the support for a table top. The broken lines shown in the figures are for illustrative purposes only and form no part of the claimed design.

**1 Claim, 4 Drawing Sheets**



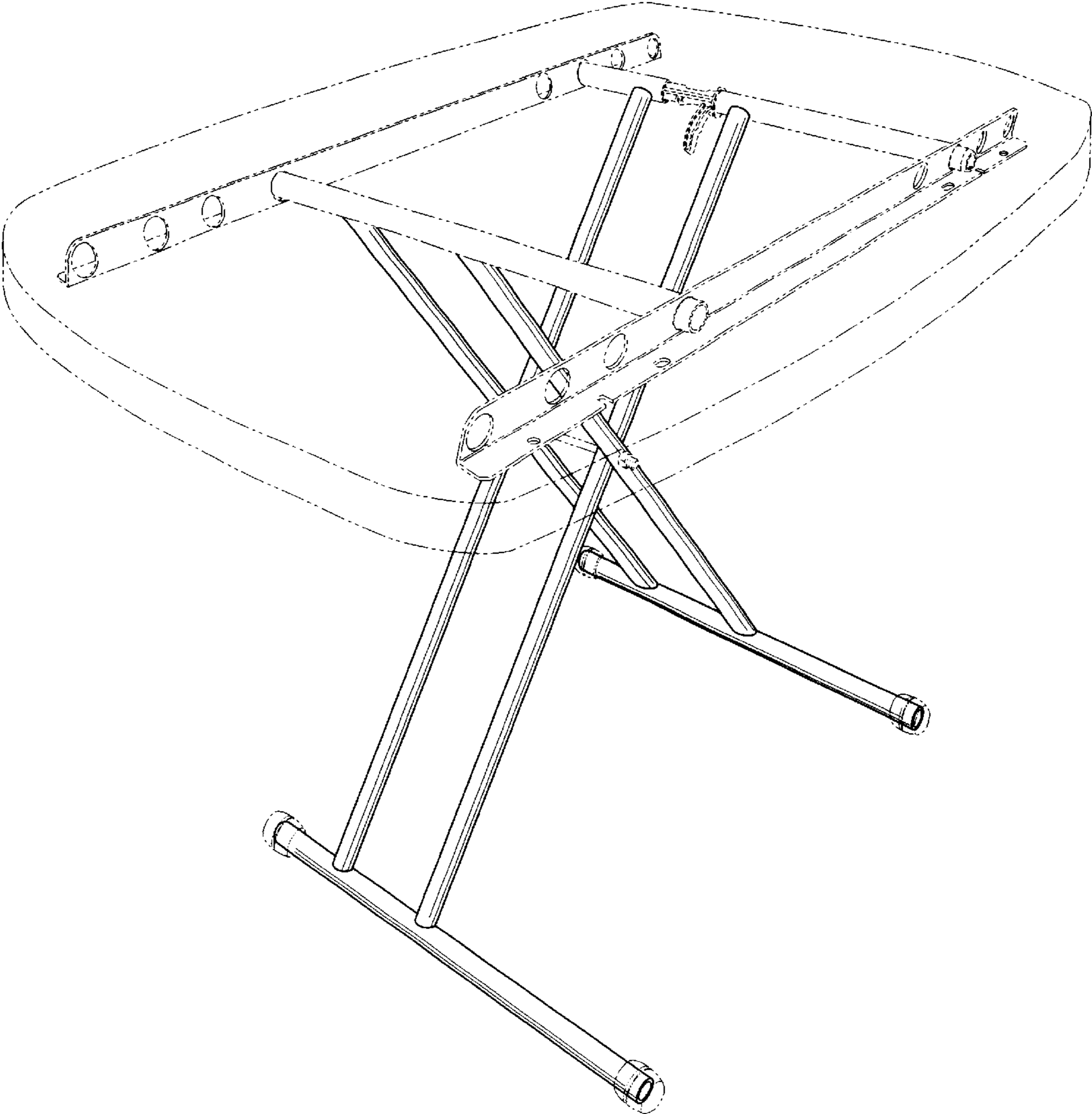
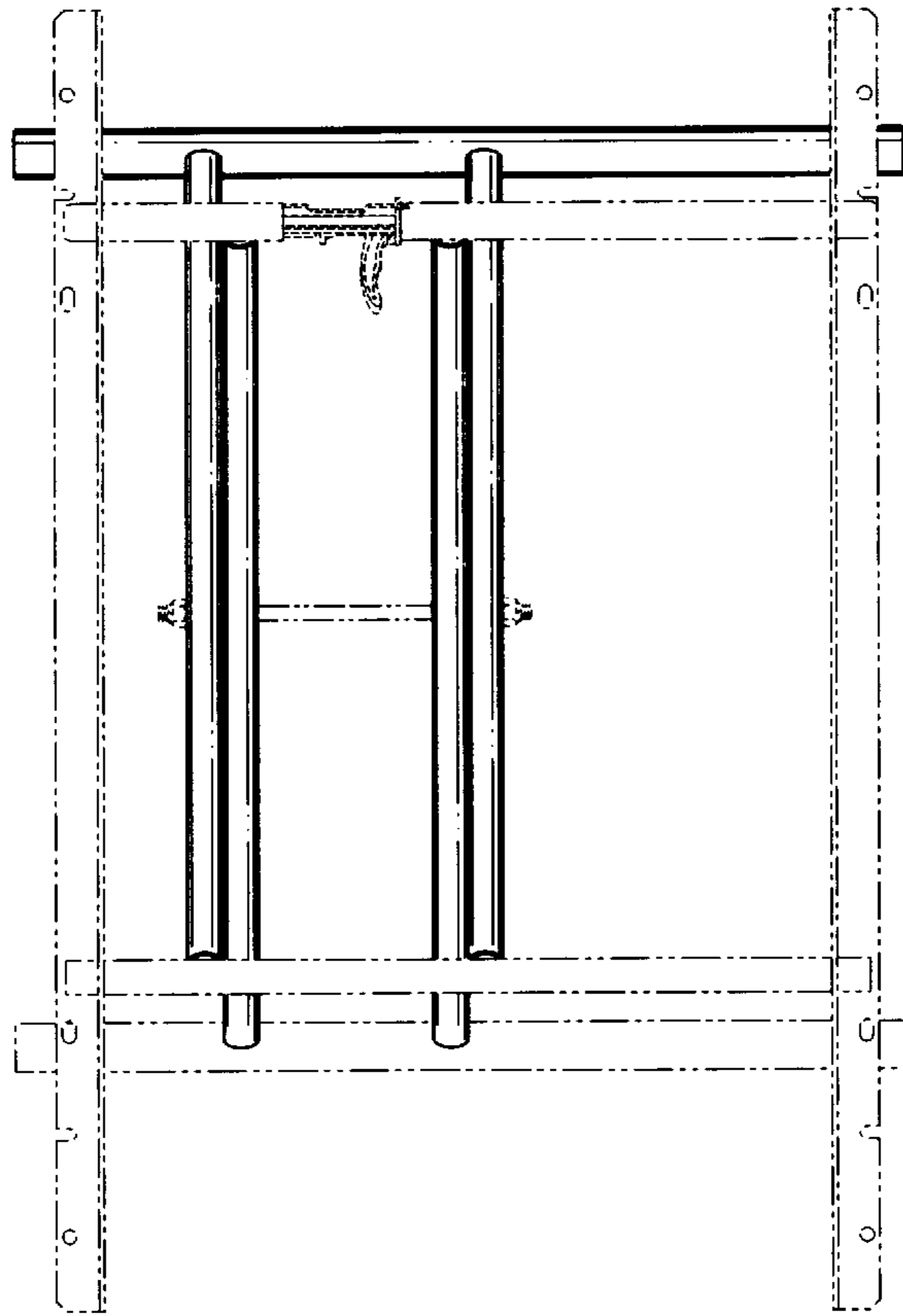
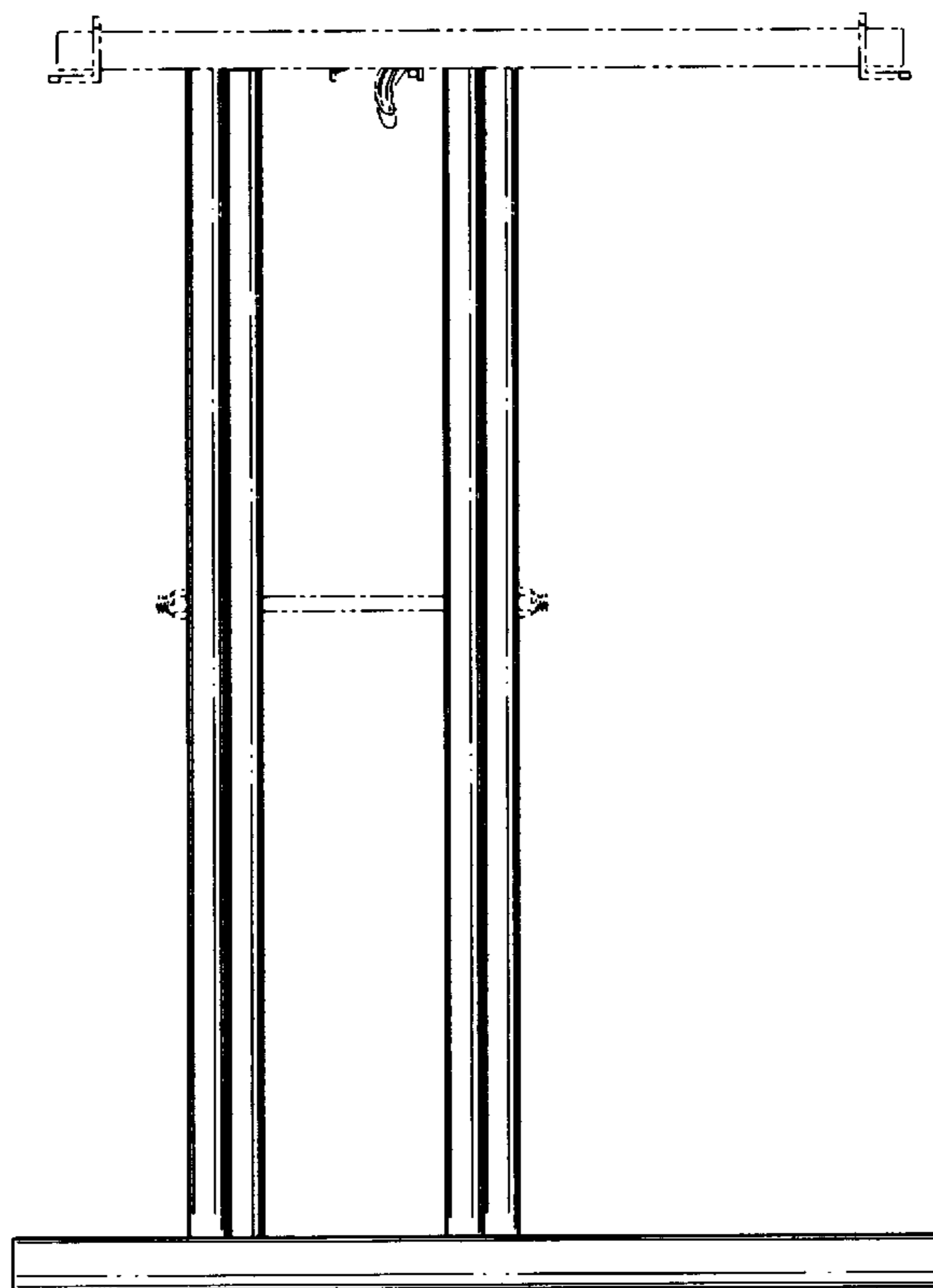


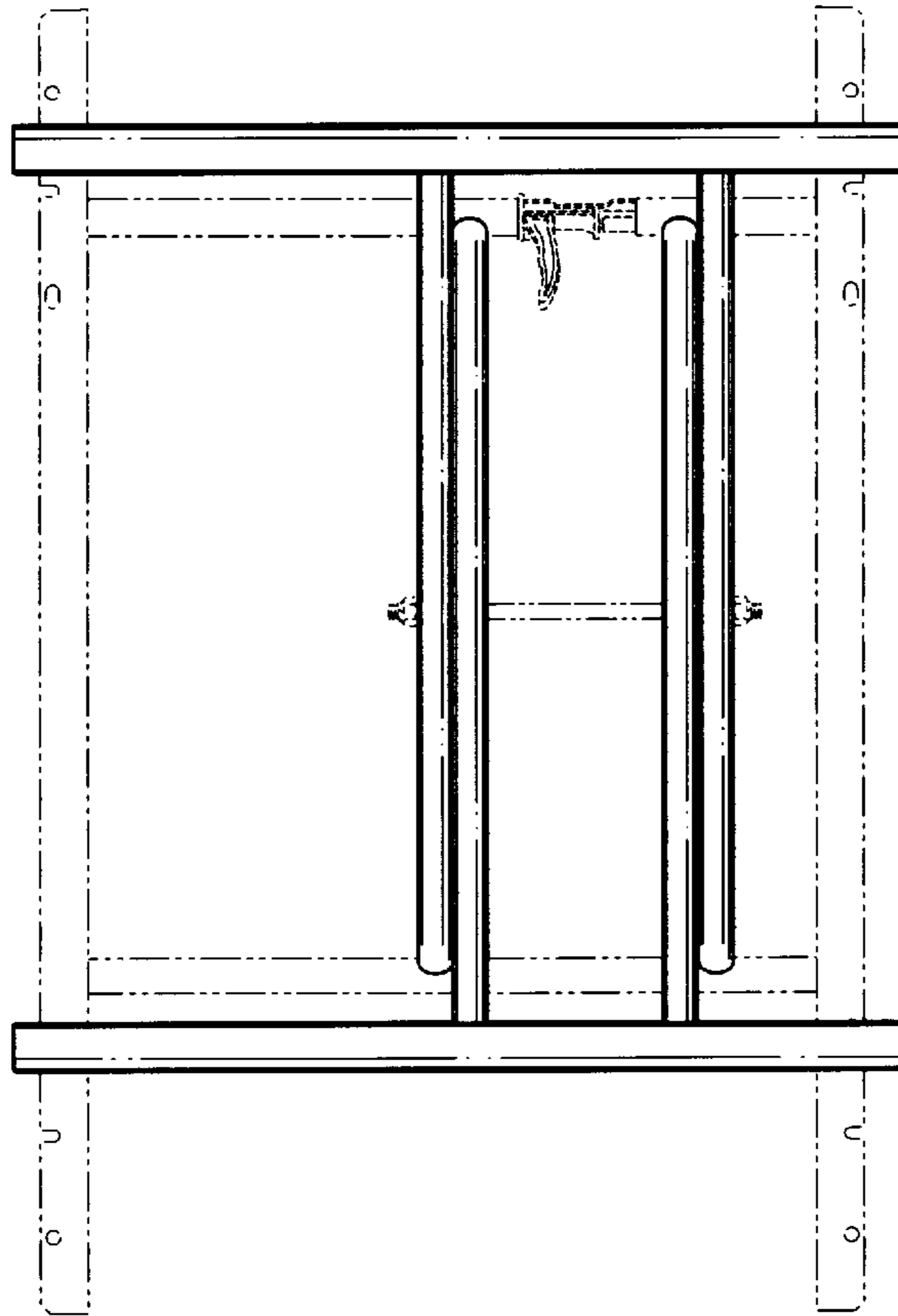
Fig. 1



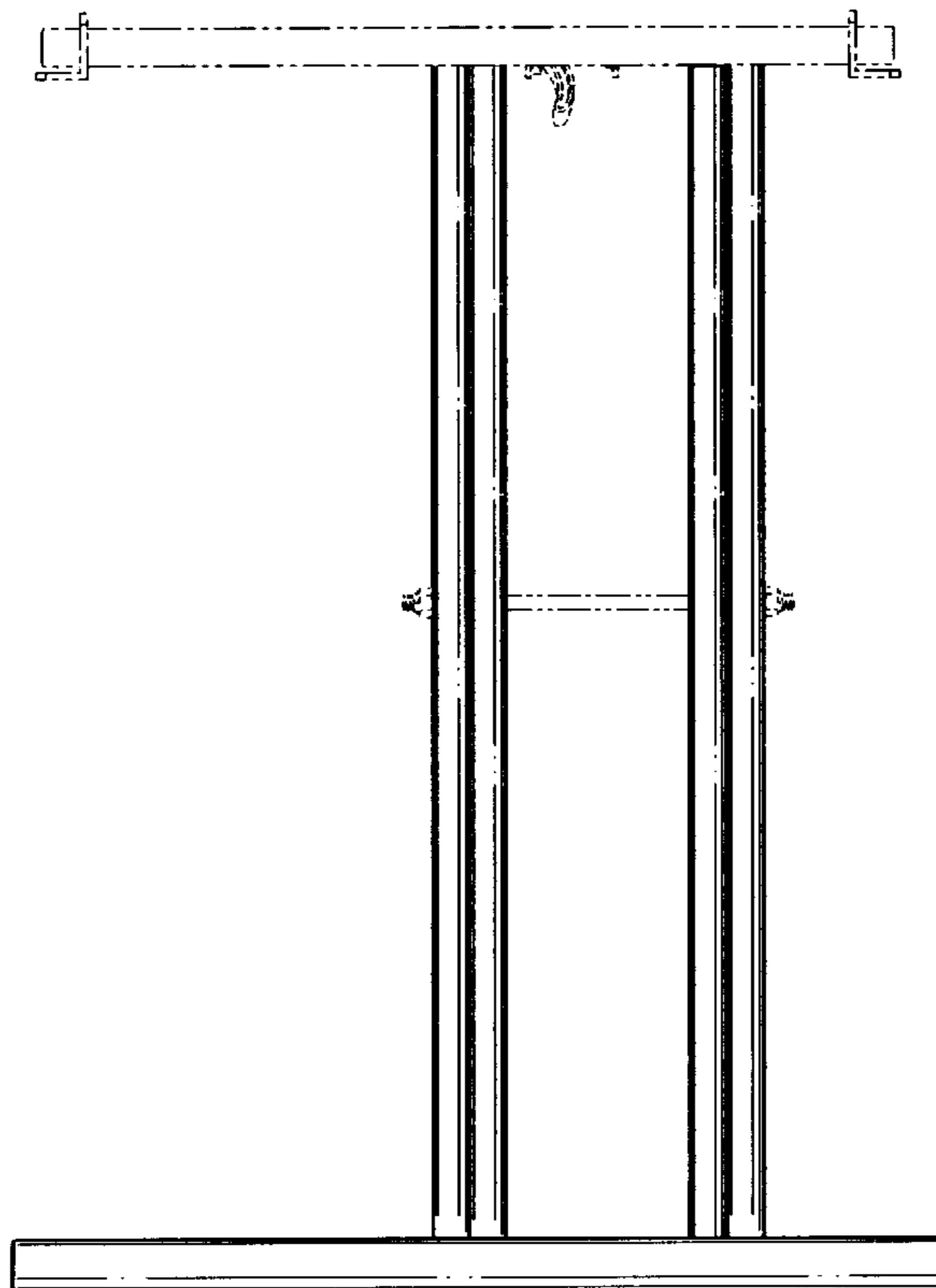
**Fig. 2**



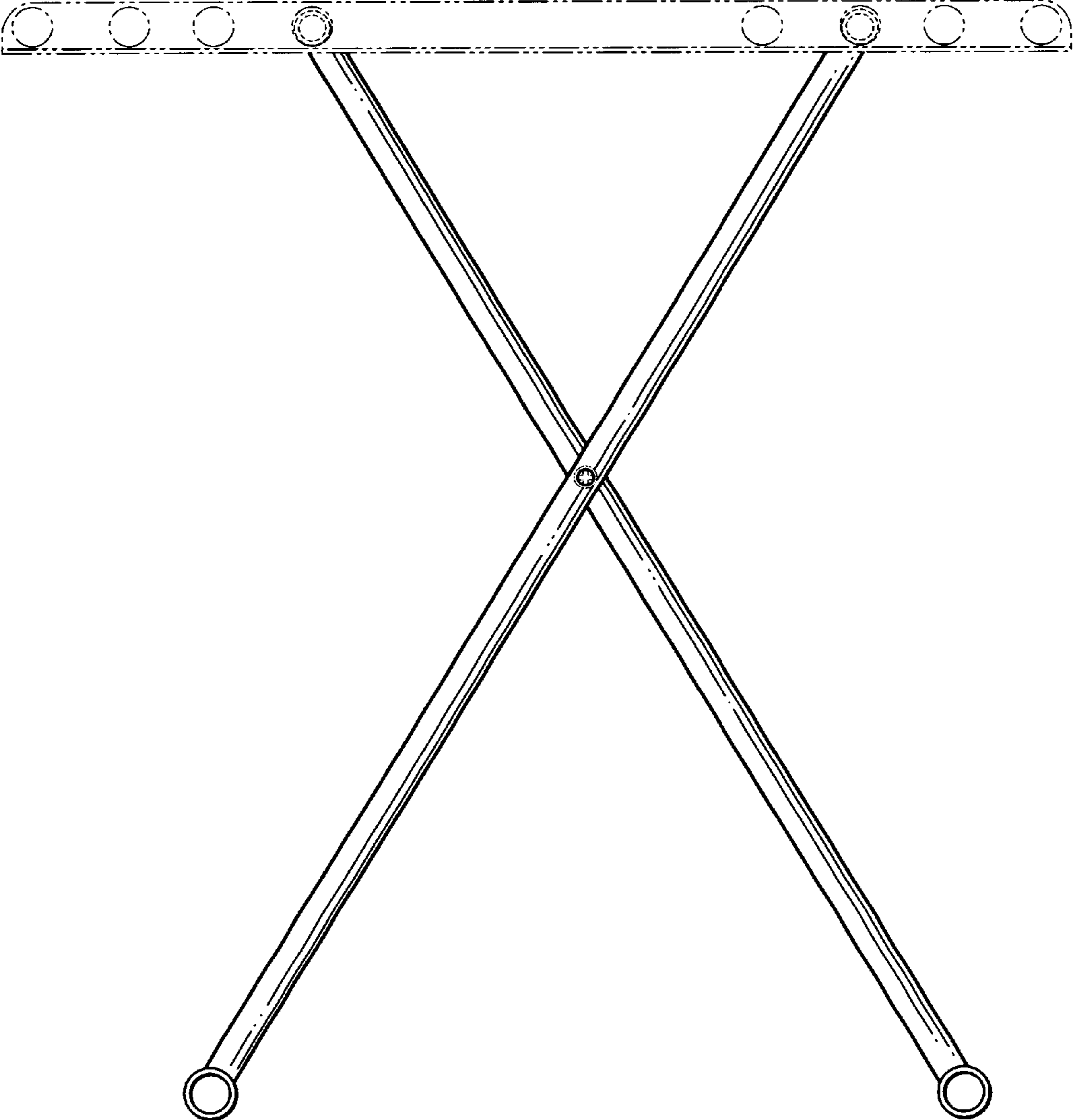
**Fig. 3**



**Fig. 4**



**Fig. 5**



**Fig. 6**