

US00D525808S

(12) **United States Design Patent** (10) **Patent No.:** **US D525,808 S**
Domack et al. (45) **Date of Patent:** **** Aug. 1, 2006**

(54) **COCKTAIL TABLE**
(75) Inventors: **Randy D. Domack**, Trempealeau, WI (US); **Terry A. Everson**, Blair, WI (US)
(73) Assignee: **Ashley Furniture Industries, Inc.**, Arcadia, WI (US)
(**) Term: **14 Years**
(21) Appl. No.: **29/220,944**
(22) Filed: **Jan. 7, 2005**
(51) **LOC (8) Cl.** **06-03**
(52) **U.S. Cl.** **D6/484**
(58) **Field of Classification Search** D6/480-489, D6/495-499, 429, 511, 491, 477; 108/150, 108/153.1, 155, 156, 161; 248/188, 188.1, 248/188.7, 188.8
See application file for complete search history.

Ashley Furniture Industries, Inc., "Columnar," p. 181.
Ashley Furniture Industries, Inc., "Cambridge," p. 183, Two tables.
Ashley Furniture Industries, Inc., "Spring Green," p. 184, Two tables.
Ashley Furniture Industries, Inc., "Fair Brook," p. 192.
Thomasville, "American Expressions" Rectangular Cocktail Table, www.thomasville.com, Oct. 12, 2004.
Thomasville, "American Expressions" Rectangular Cocktail Table, www.thomasville.com, Oct. 12, 2004.

* cited by examiner

Primary Examiner—Janice Seeger
(74) *Attorney, Agent, or Firm*—Patterson, Thunte, Skaar & Christensen, P.A.

(57) **CLAIM**

We claim the ornamental design for a cocktail table, as shown and described.

(56) **References Cited**

U.S. PATENT DOCUMENTS

D241,395 S	*	9/1976	Perl	D6/480
D259,981 S		7/1981	Alpert		
D350,865 S	*	9/1994	Ward	D6/480
D368,191 S	*	3/1996	Mitchell	D6/484
D396,767 S		8/1998	DeBlaay		
D396,973 S		8/1998	DeBlaay		
D399,375 S		10/1998	DeBlaay		
D449,184 S		10/2001	Cain		

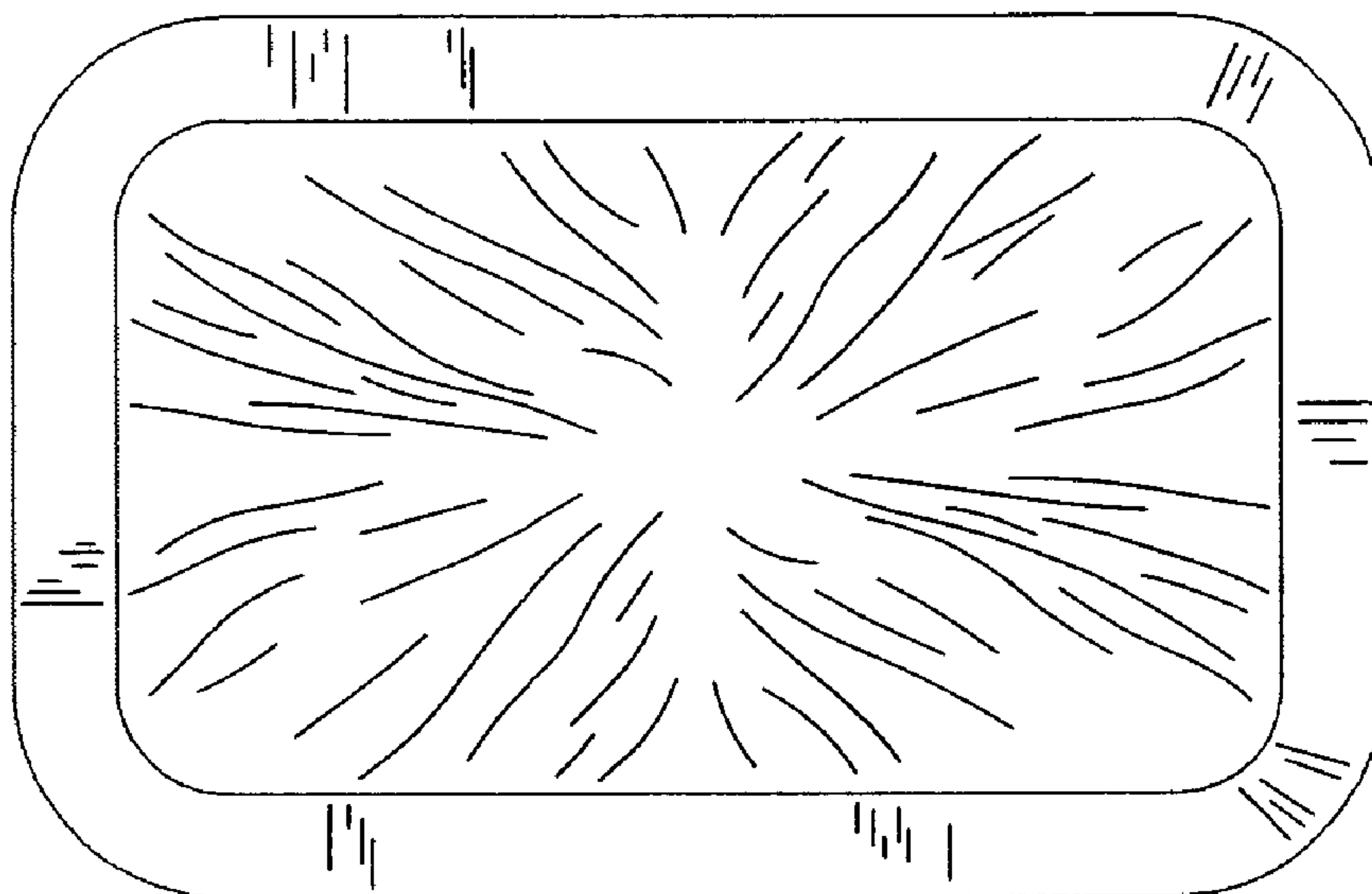
OTHER PUBLICATIONS

Carson's of High Point, May 12, 1983, #08125 table.*
Furniture Today Apr. 10, 1989, p. 142, table at top right.*
Evans, 1987-1988, p. 232, table at top left.*

DESCRIPTION

FIG. 1 is a plan view of a cocktail table according to an embodiment of the invention.
FIG. 2 is a front elevational view of a cocktail table according to an embodiment of the invention. The rear elevational view being a mirror image thereof.
FIG. 3 is a side elevational view of a cocktail table according to an embodiment of the invention. The elevational view of the opposite side being a mirror image thereof; and,
FIG. 4 is a perspective view of a cocktail table according to an embodiment of the invention.

1 Claim, 1 Drawing Sheet



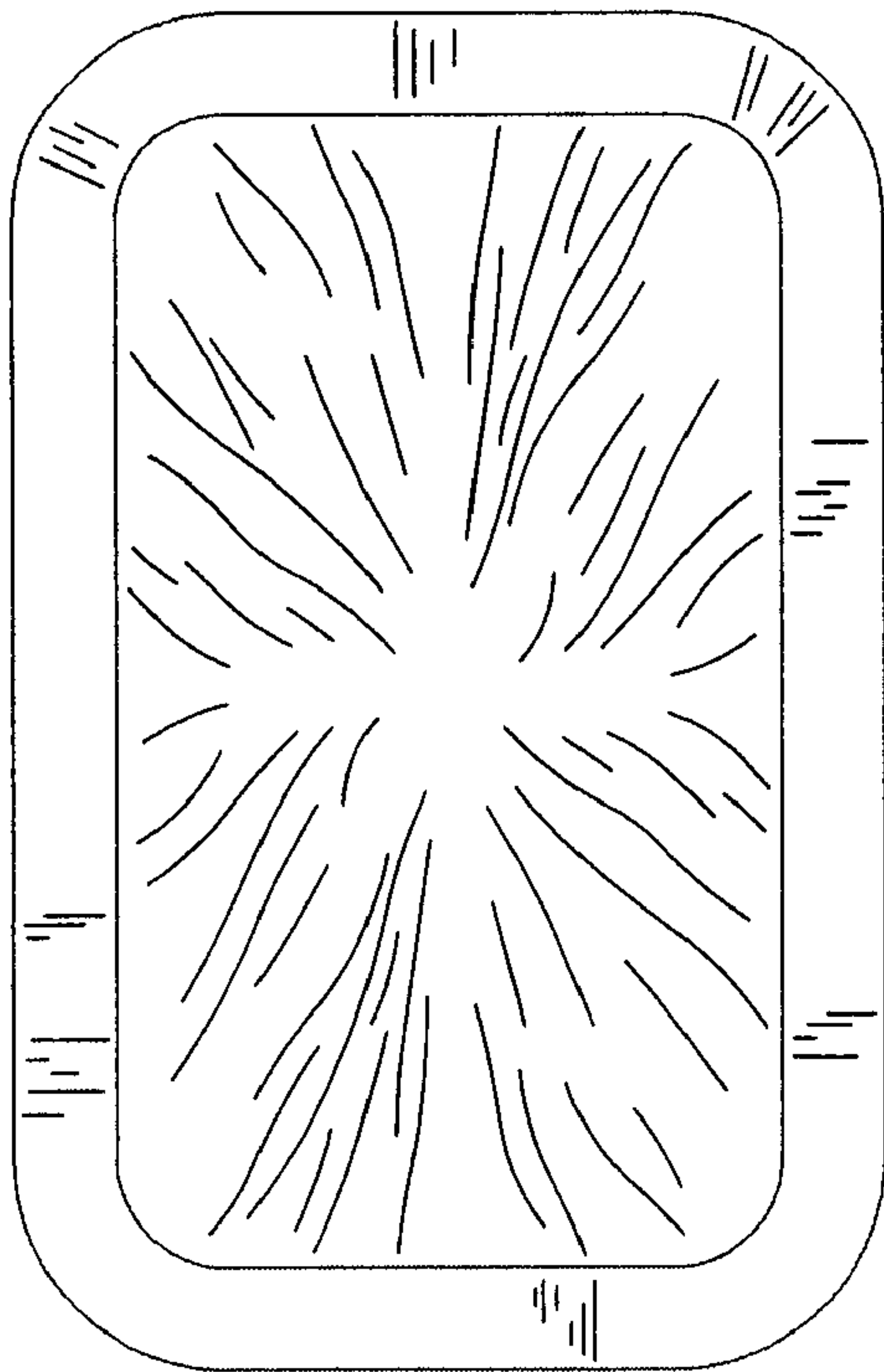


FIG. 1

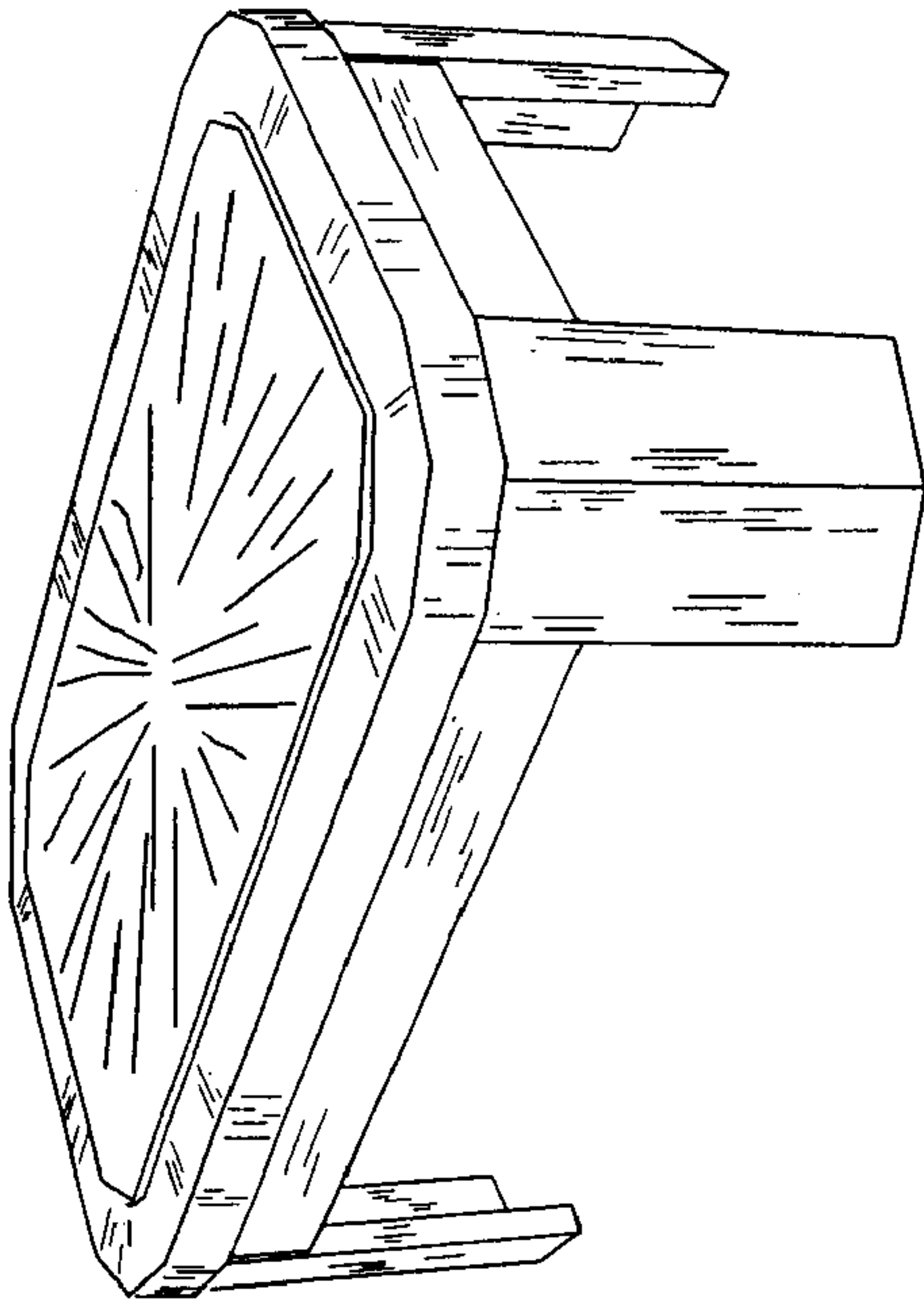


FIG. 4

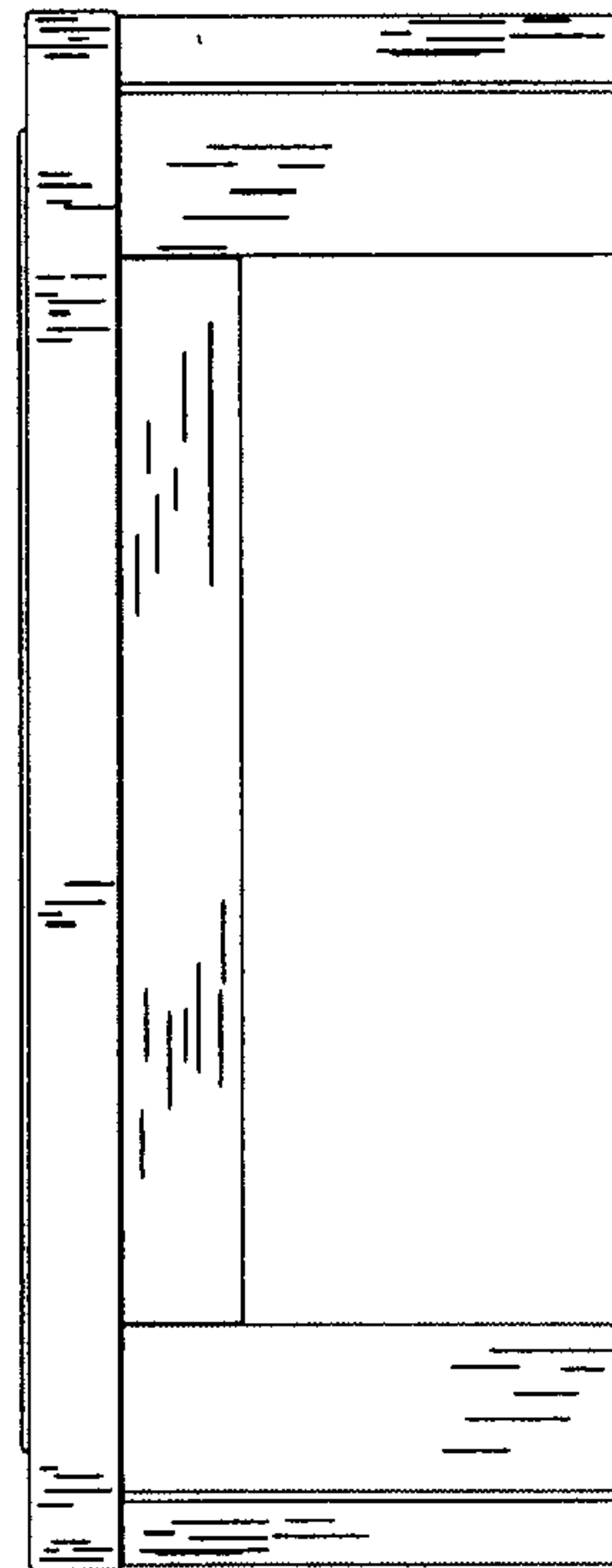


FIG. 2

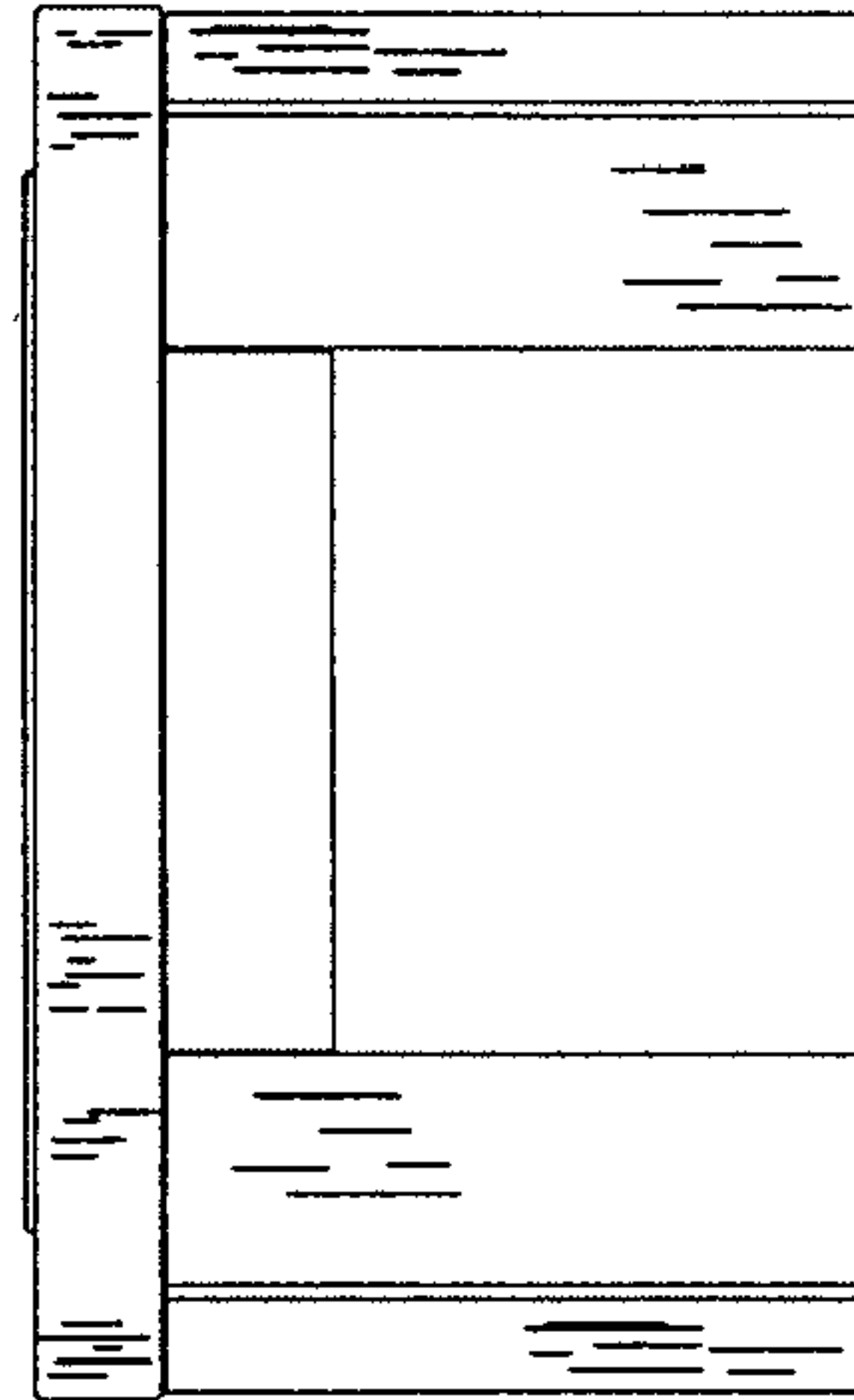


FIG. 3