



US00D525806S

(12) **United States Design Patent**
Lai

(10) **Patent No.:** **US D525,806 S**

(45) **Date of Patent:** **** Aug. 1, 2006**

(54) **EXPANDABLE TABLE**

(74) *Attorney, Agent, or Firm*—Leong C. Lei

(75) Inventor: **Kuo-Ping Lai**, Changhua Hsien (TW)

(57) **CLAIM**

(73) Assignee: **Chyi Cheng Co., Ltd.**, Changhua Hsien (TW)

The ornamental design for an expandable table, as shown and described.

(**) Term: **14 Years**

DESCRIPTION

(21) Appl. No.: **29/216,062**

FIG. 1 is a perspective view of an expandable table, showing my new design;

(22) Filed: **Oct. 29, 2004**

(51) **LOC (8) Cl.** **06-03**

FIG. 2 is a front side elevation view thereof;

(52) **U.S. Cl.** **D6/430; D6/484**

FIG. 3 is a rear side elevation view thereof;

(58) **Field of Classification Search** D6/480–489,
D6/495–499, 429, 430, 511, 491, 477, 432,
D6/436; 108/150, 153.1, 155, 156, 161; 248/188,
248/188.1, 188.7, 188.8

FIG. 4 is a left side elevation view thereof;

FIG. 5 is a right side elevation view thereof;

See application file for complete search history.

FIG. 6 is a top plan view thereof;

FIG. 7 is a bottom plan view thereof;

(56) **References Cited**

FIG. 8 is a bottom plan view of the expandable table in expanded condition;

U.S. PATENT DOCUMENTS

FIG. 9 is a perspective view of the expandable table in expanded condition;

D284,431 S	*	7/1986	Berry, Jr.	D6/474
D285,267 S	*	8/1986	Berry, Jr.	D6/430
D288,637 S	*	3/1987	Winzeler, III	D6/429
D362,136 S	*	9/1995	Chang	D6/474
D431,398 S	*	10/2000	Luong et al.	D6/484
D503,570 S	*	4/2005	Anderson et al.	D6/480

FIG. 10 is a perspective view of the expandable table in another expanded condition; and,

OTHER PUBLICATIONS

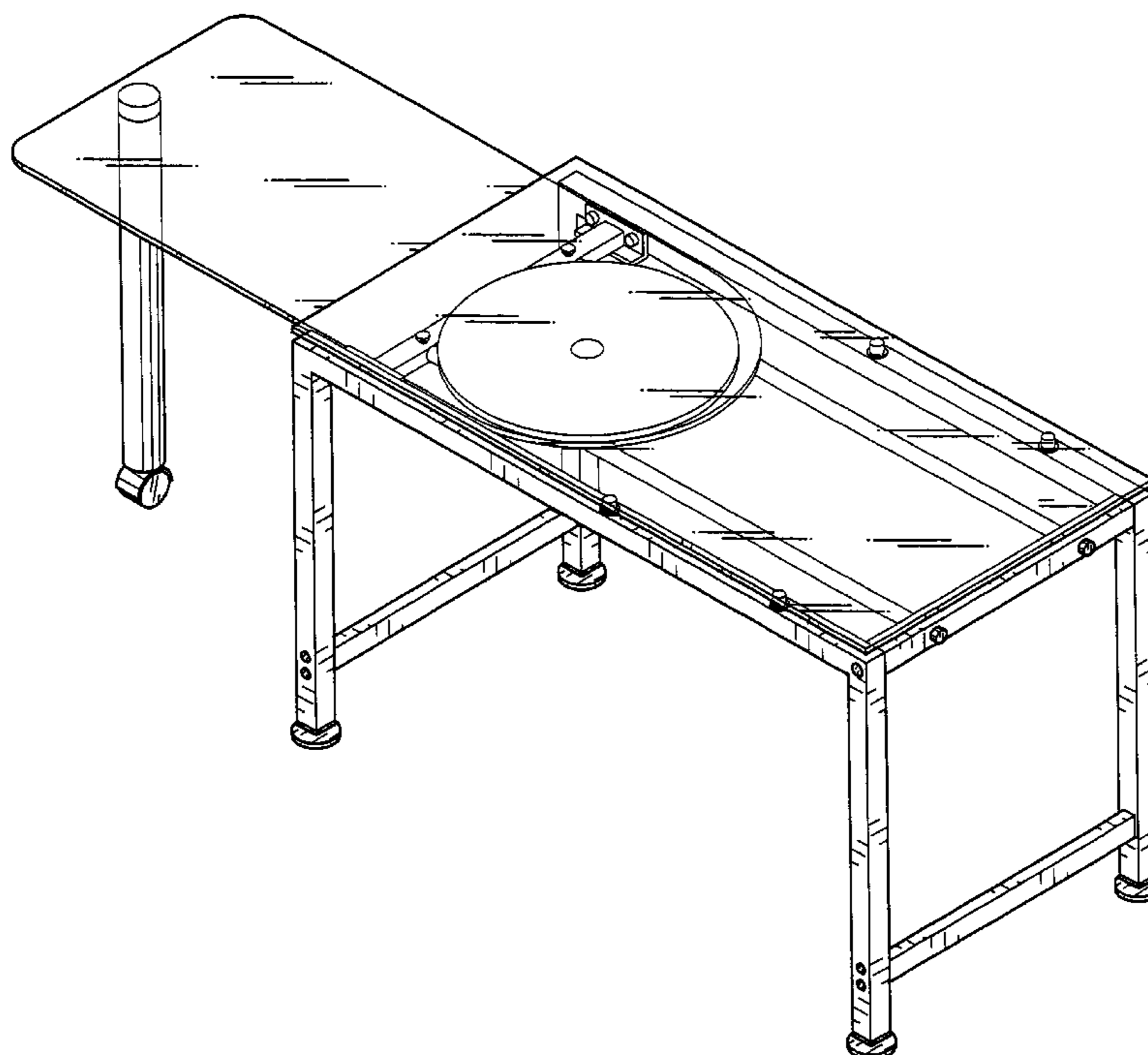
FIG. 11 is a perspective view of the expandable table in another expanded condition.

DIA 1988,p. 30 #3388 table.*

* cited by examiner

Primary Examiner—Janice Seeger

1 Claim, 9 Drawing Sheets



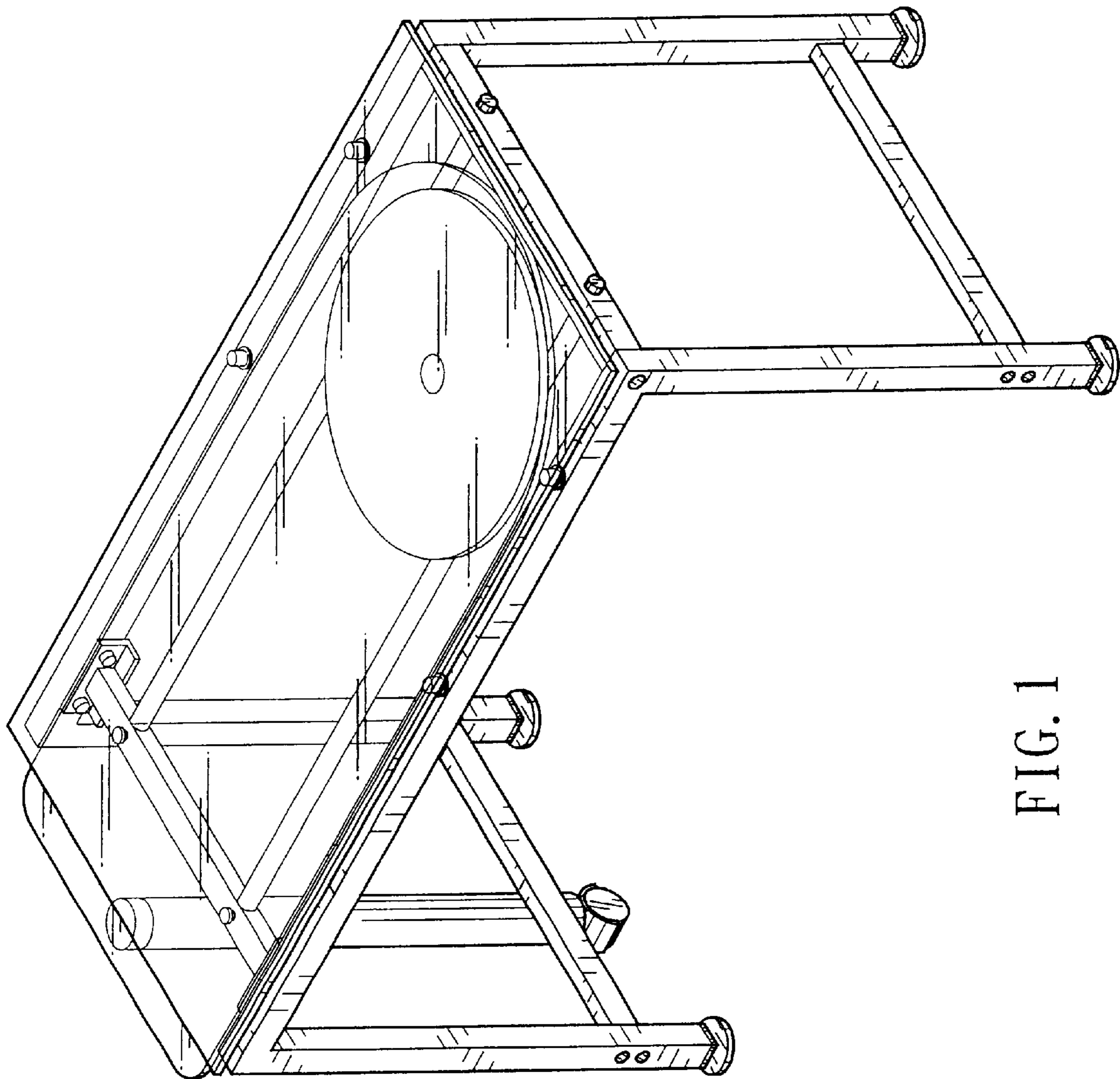


FIG. 1

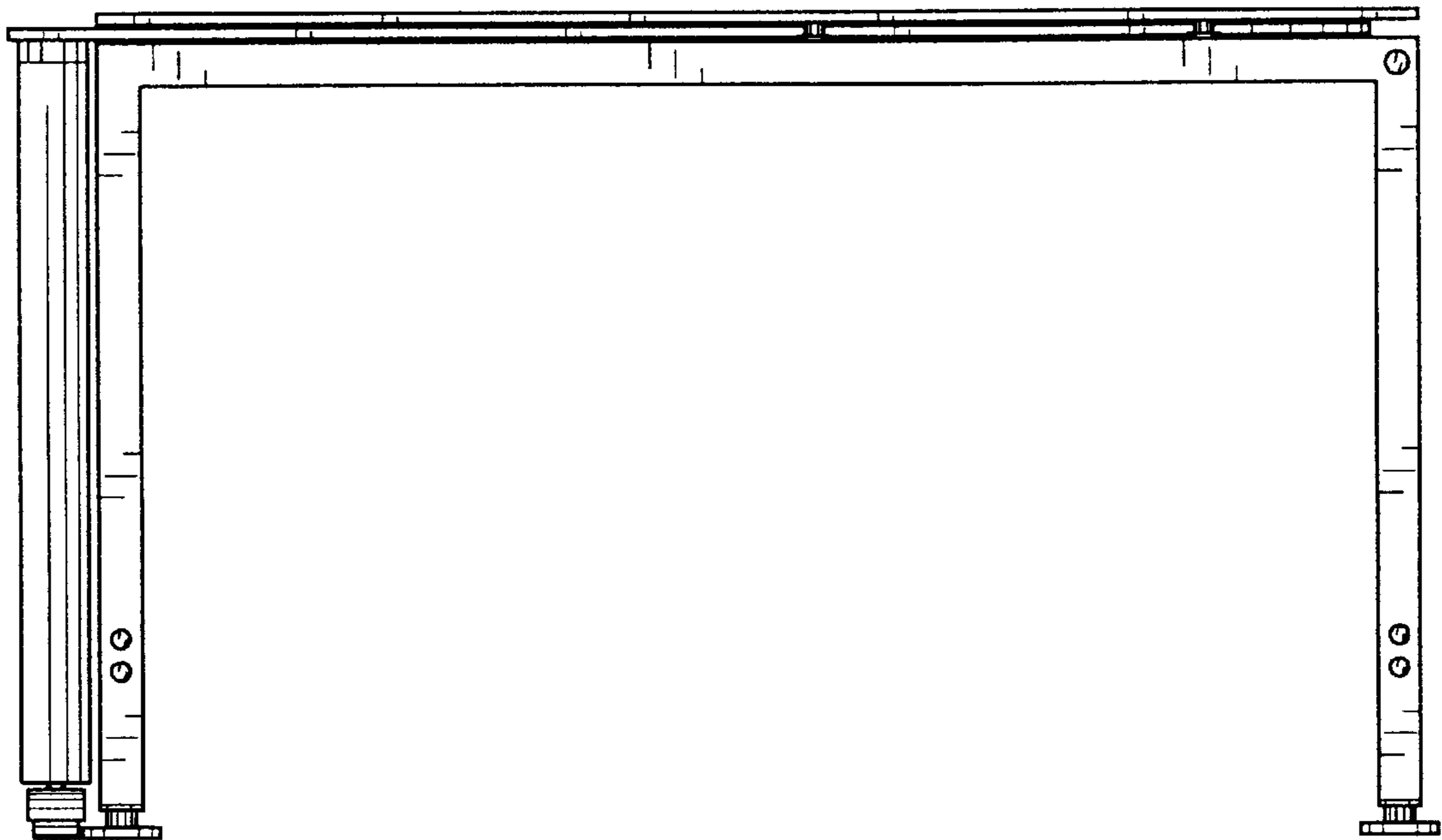


FIG. 2

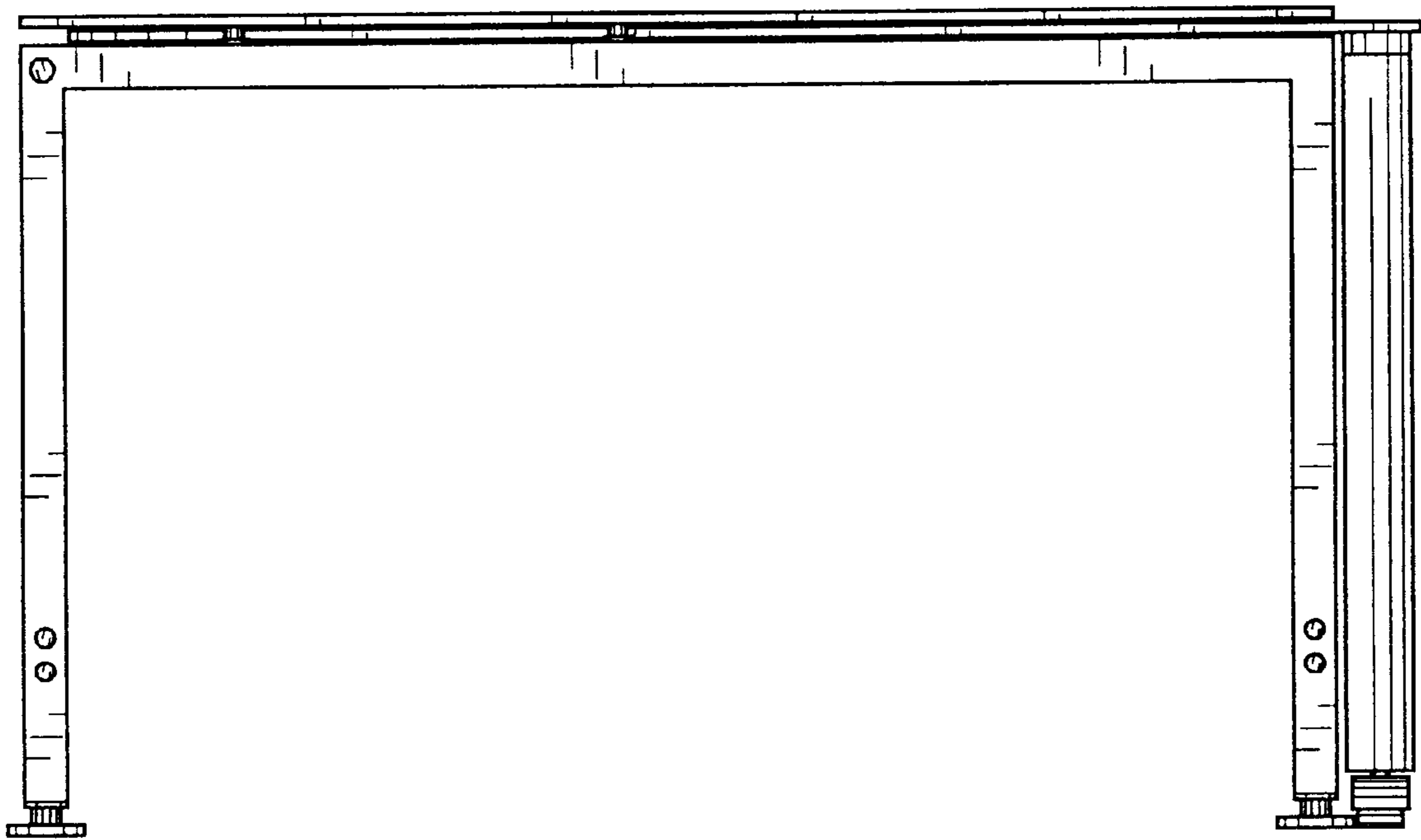


FIG. 3

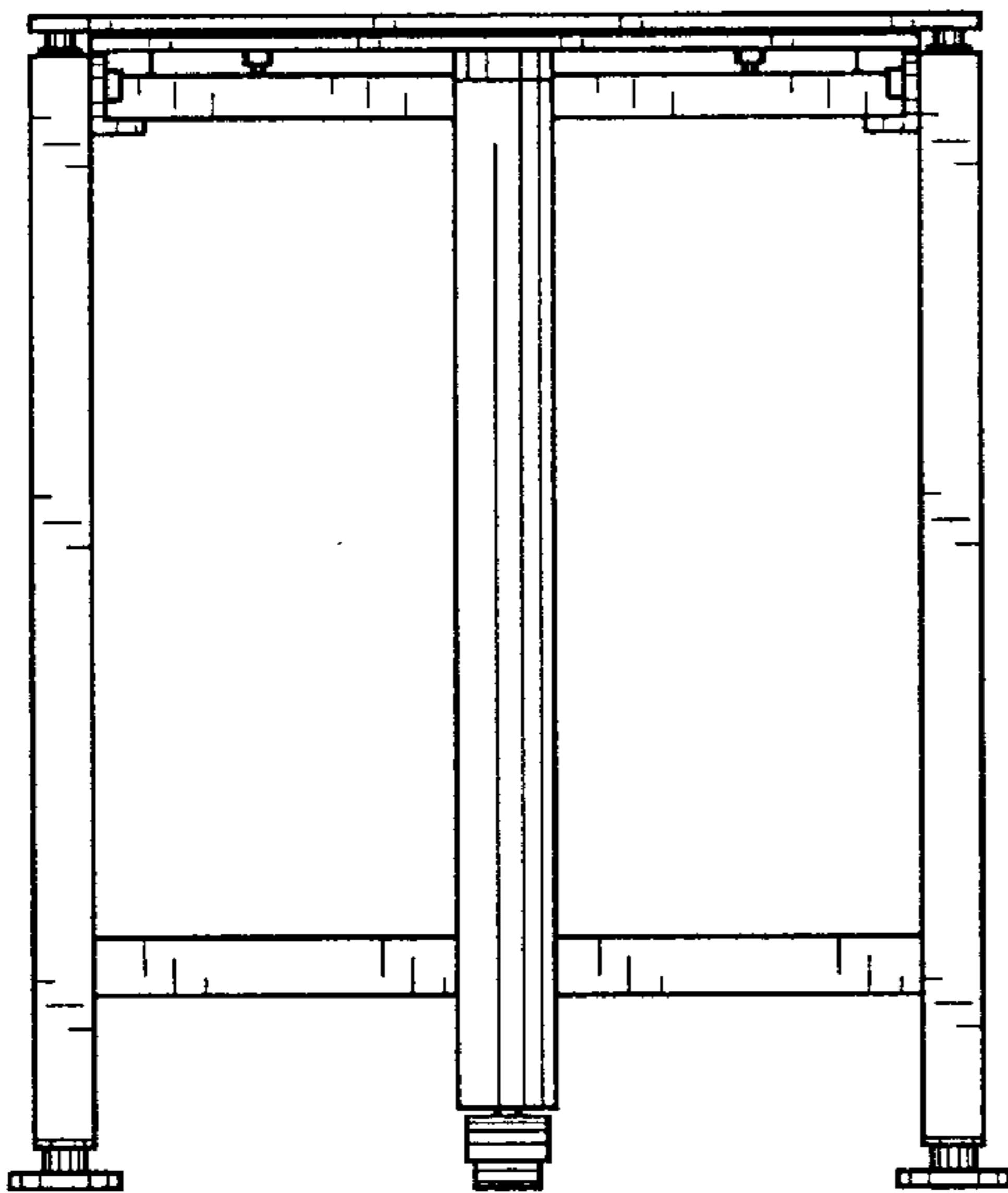


FIG. 4

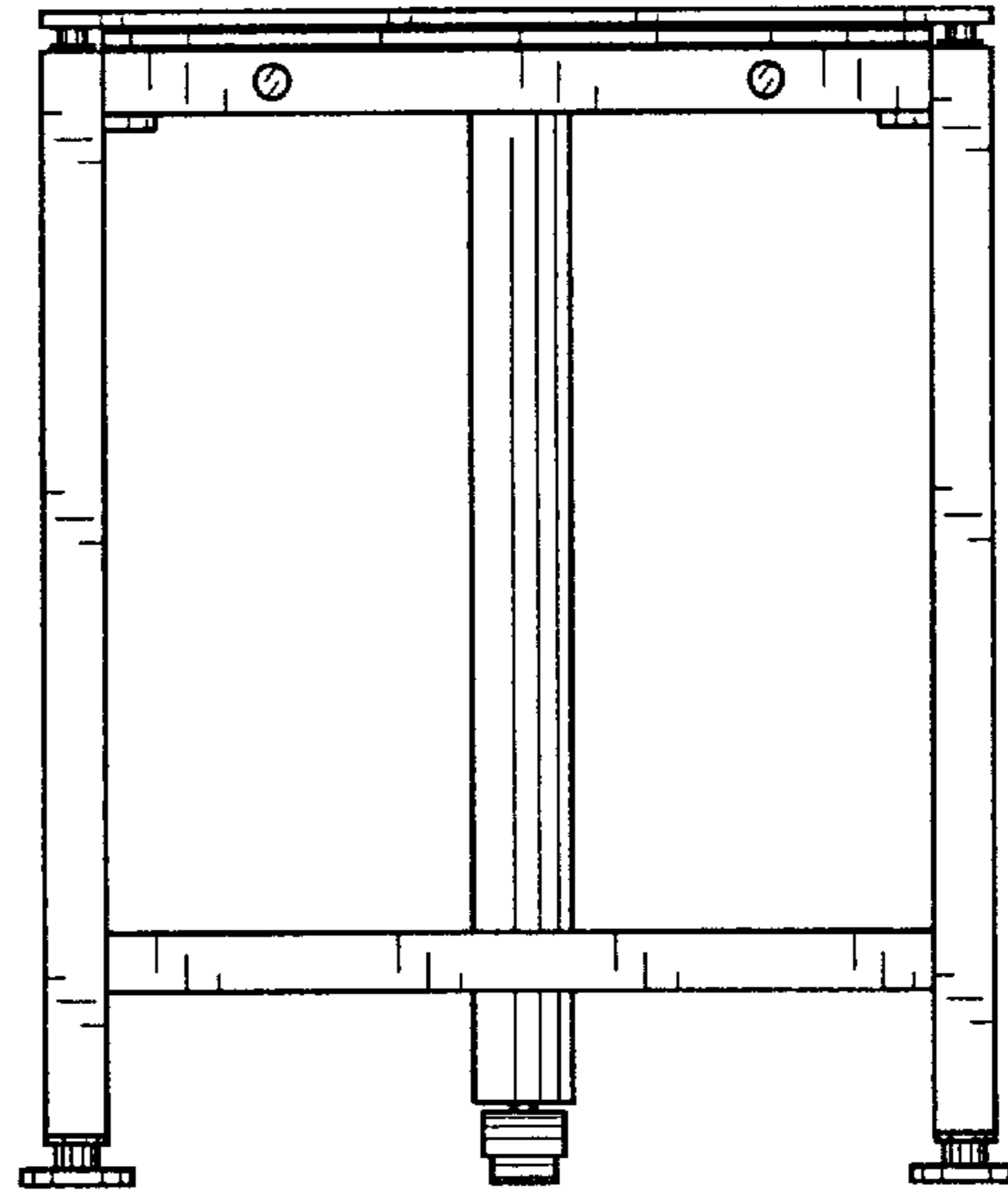


FIG. 5

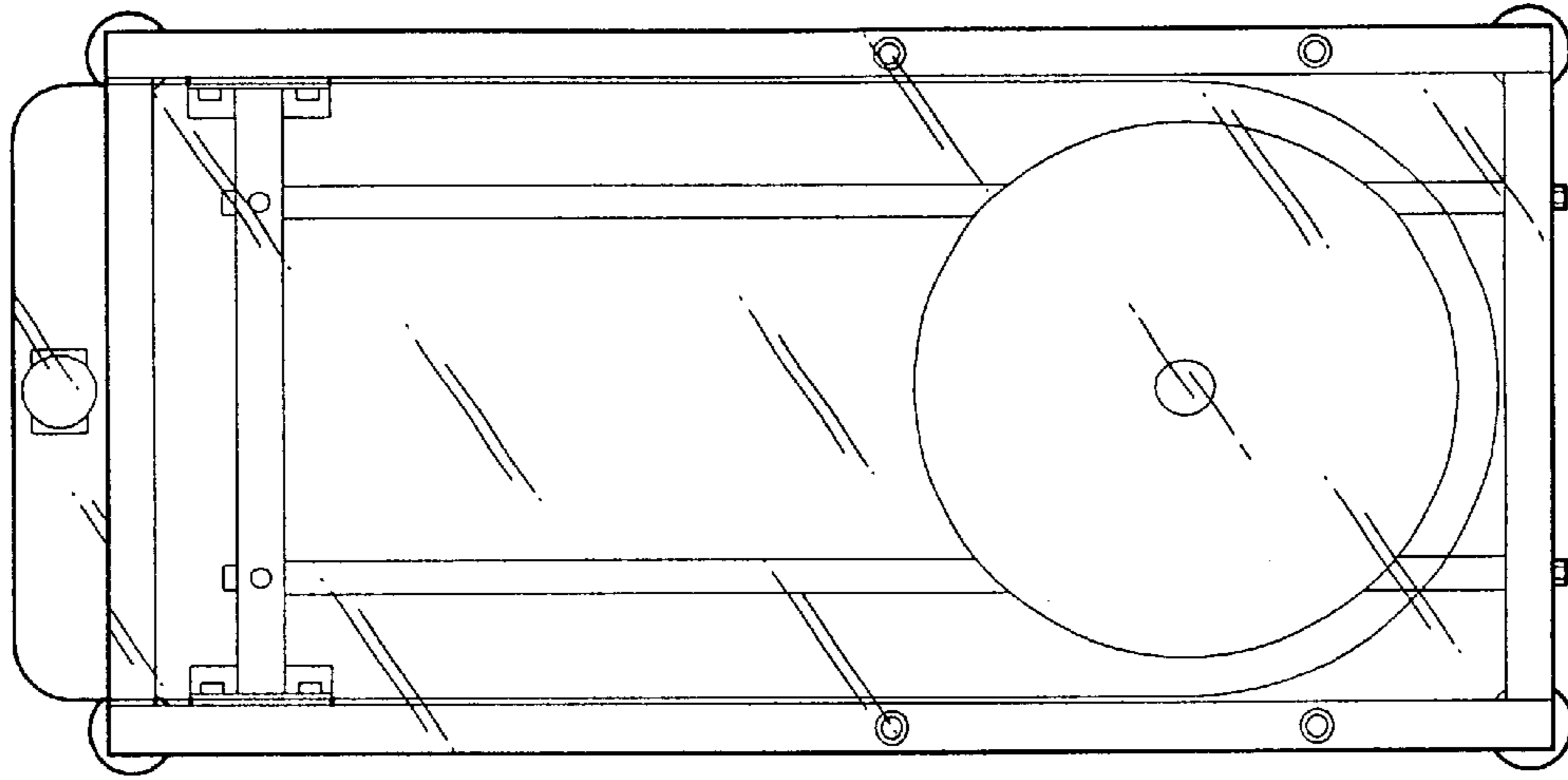


FIG. 6

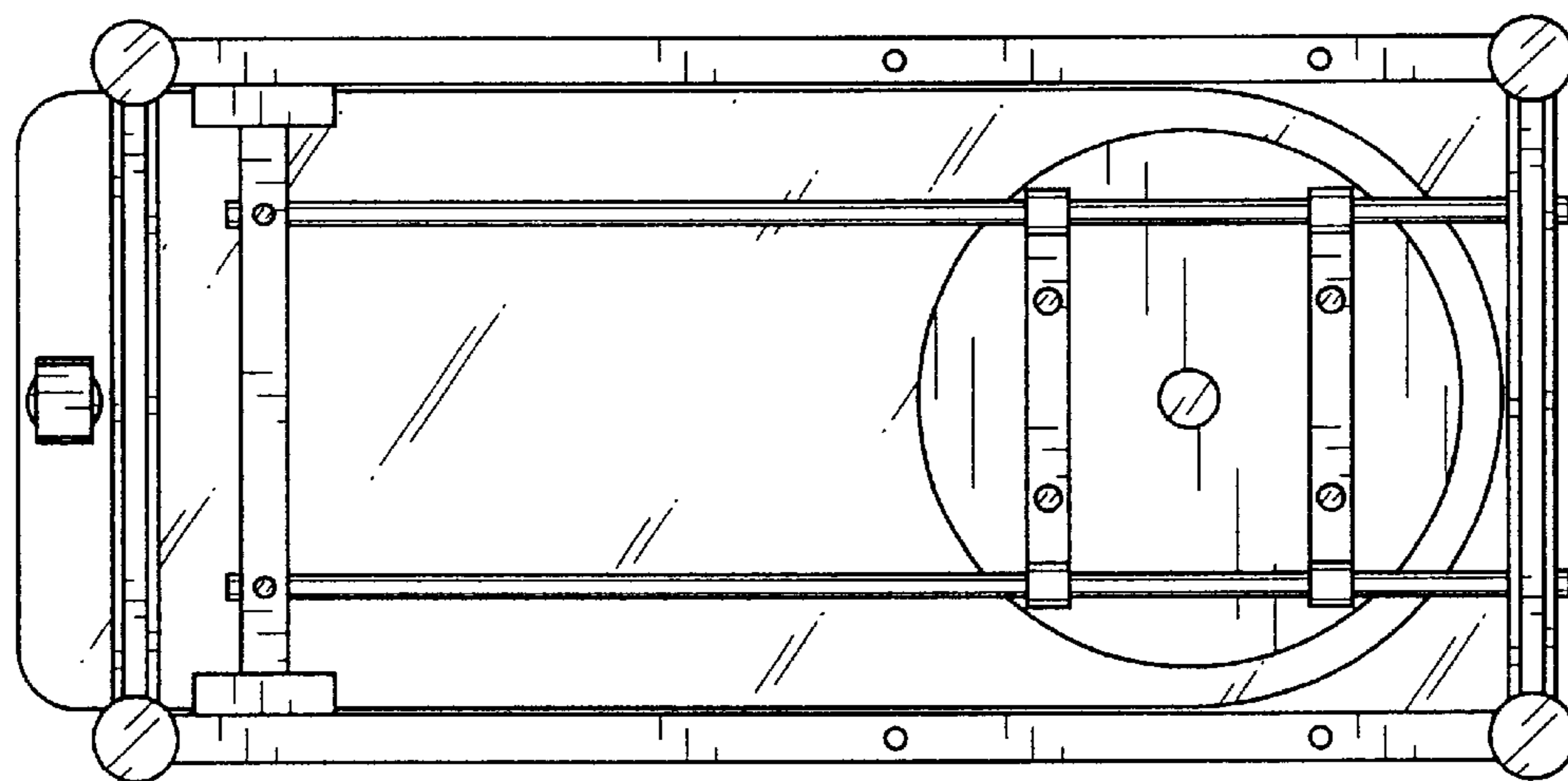


FIG. 7

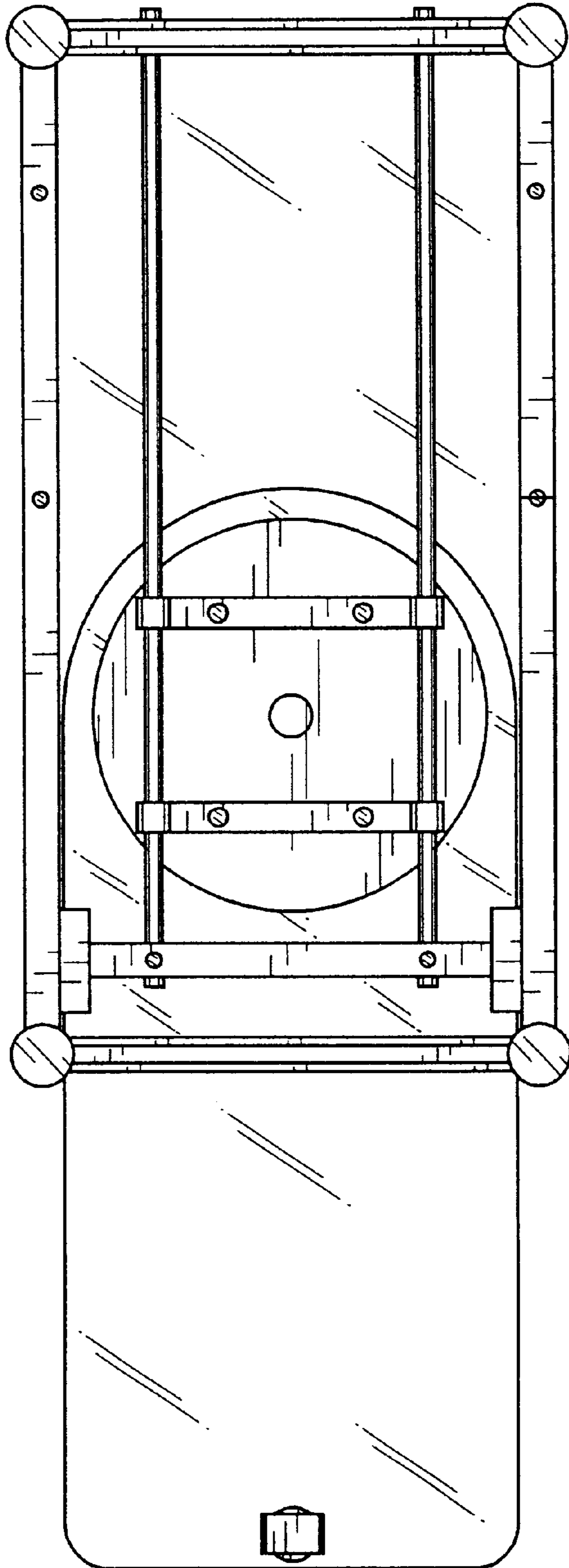


FIG. 8

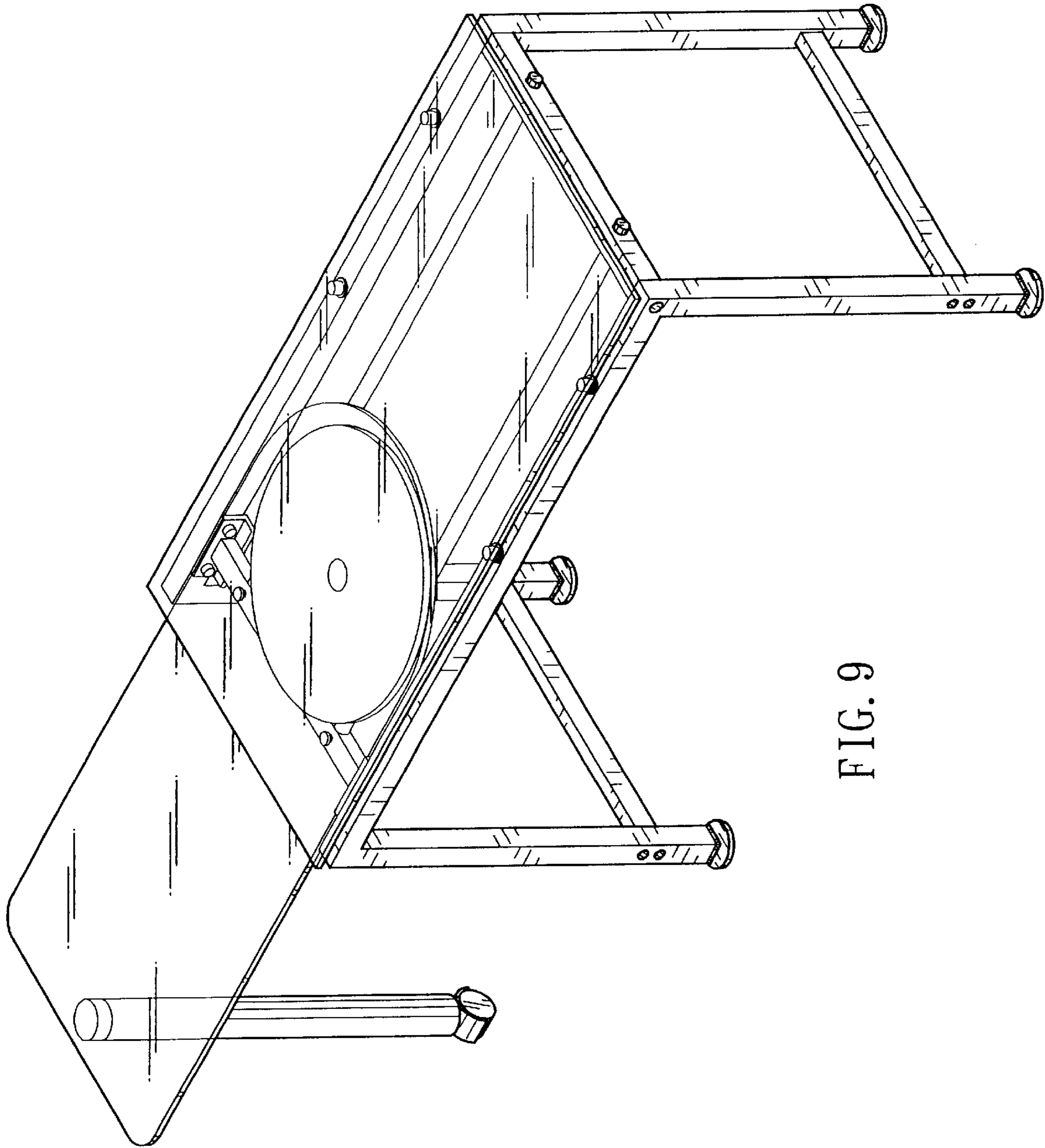


FIG. 9

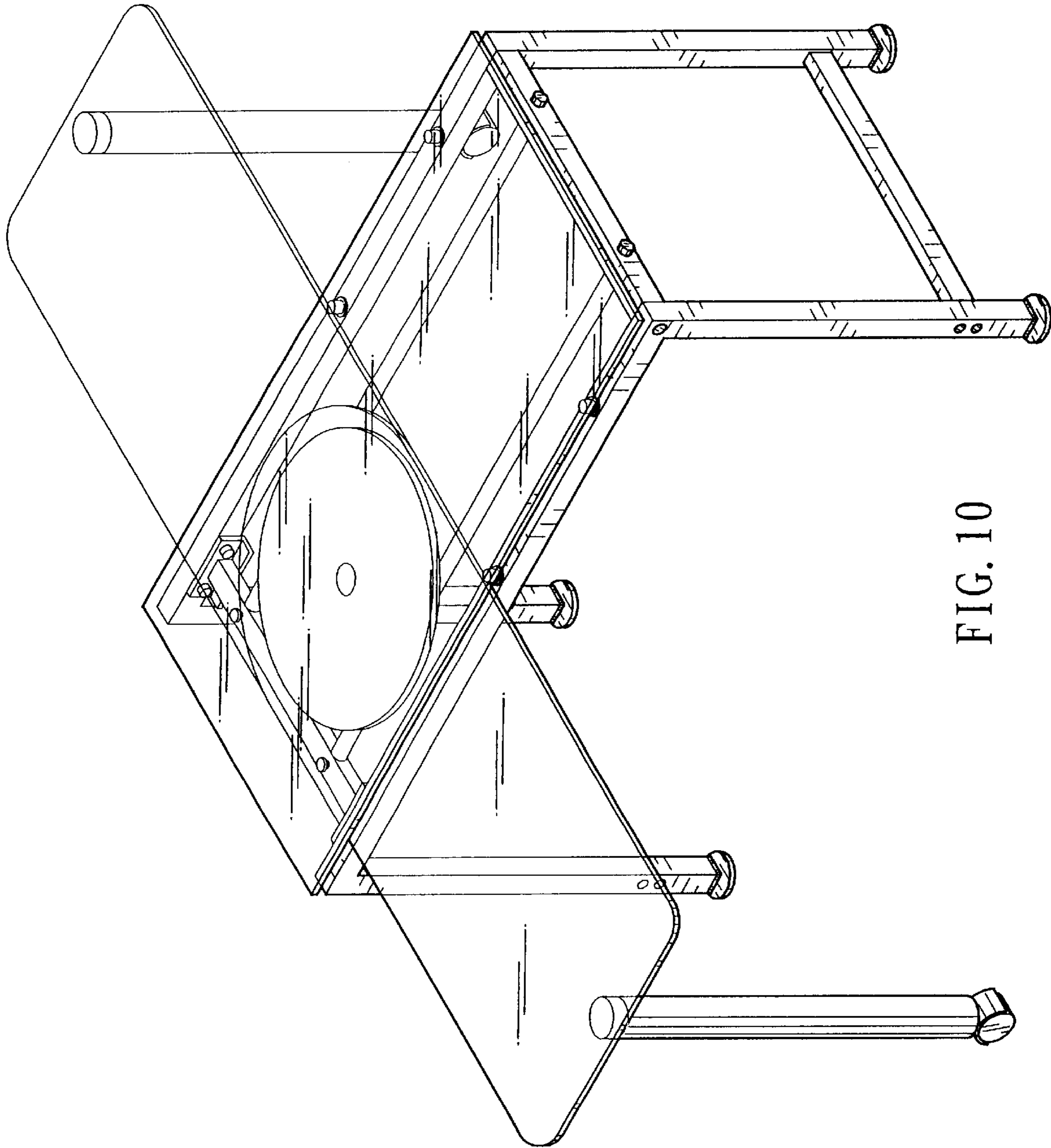


FIG. 10

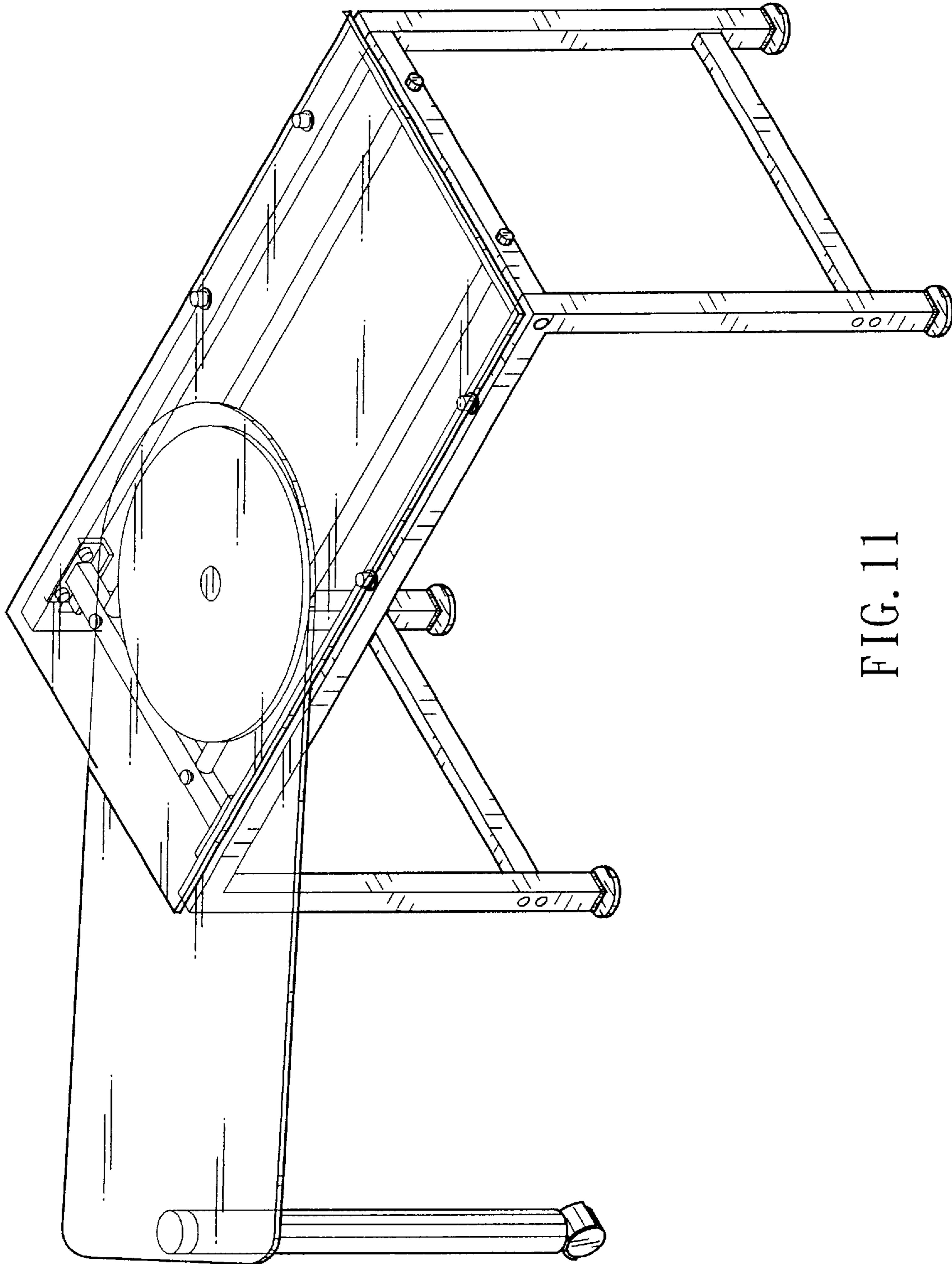


FIG. 11