



US00D525804S

(12) **United States Design Patent**
Schwartz

(10) **Patent No.:** **US D525,804 S**

(45) **Date of Patent:** **** Aug. 1, 2006**

(54) **PATIO BED**

(75) Inventor: **Larry Schwartz**, Boca Raton, FL (US)

(73) Assignee: **Sun Isle USA, LLC**, Boca Raton, FL (US)

(**) Term: **14 Years**

(21) Appl. No.: **29/217,171**

(22) Filed: **Nov. 12, 2004**

(51) **LOC (8) Cl.** **06-01**

(52) **U.S. Cl.** **D6/393; D6/604; D21/809**

(58) **Field of Classification Search** D6/382,
D6/389, 392-395, 505-508, 604; 5/53.1,
5/907, 279.1, 280, 281, 655.3, 706; D21/803,
D21/809

See application file for complete search history.

(56) **References Cited**

U.S. PATENT DOCUMENTS

D241,291 S * 9/1976 Offredi D6/384
D393,378 S * 4/1998 Hutton D6/393

D454,720 S * 3/2002 O'Hare et al. D6/393

* cited by examiner

Primary Examiner—Janice E. Seeger

(74) *Attorney, Agent, or Firm*—Lerner, David, Littenberg,
Krumholz & Mentlik, LLP

(57) **CLAIM**

The ornamental design for a patio bed, as shown and described.

DESCRIPTION

FIG. 1 is a perspective view of a patio bed showing my new design;

FIG. 2 is a front elevational view;

FIG. 3 is a rear elevational view;

FIG. 4 is a right side view, the left side view being a mirror image thereof;

FIG. 5 is a top plan view; and,

FIG. 6 is a bottom plan view.

The broken lines shown in the drawings are for illustration purposes only and form no part of the designs sought to be patented.

1 Claim, 6 Drawing Sheets

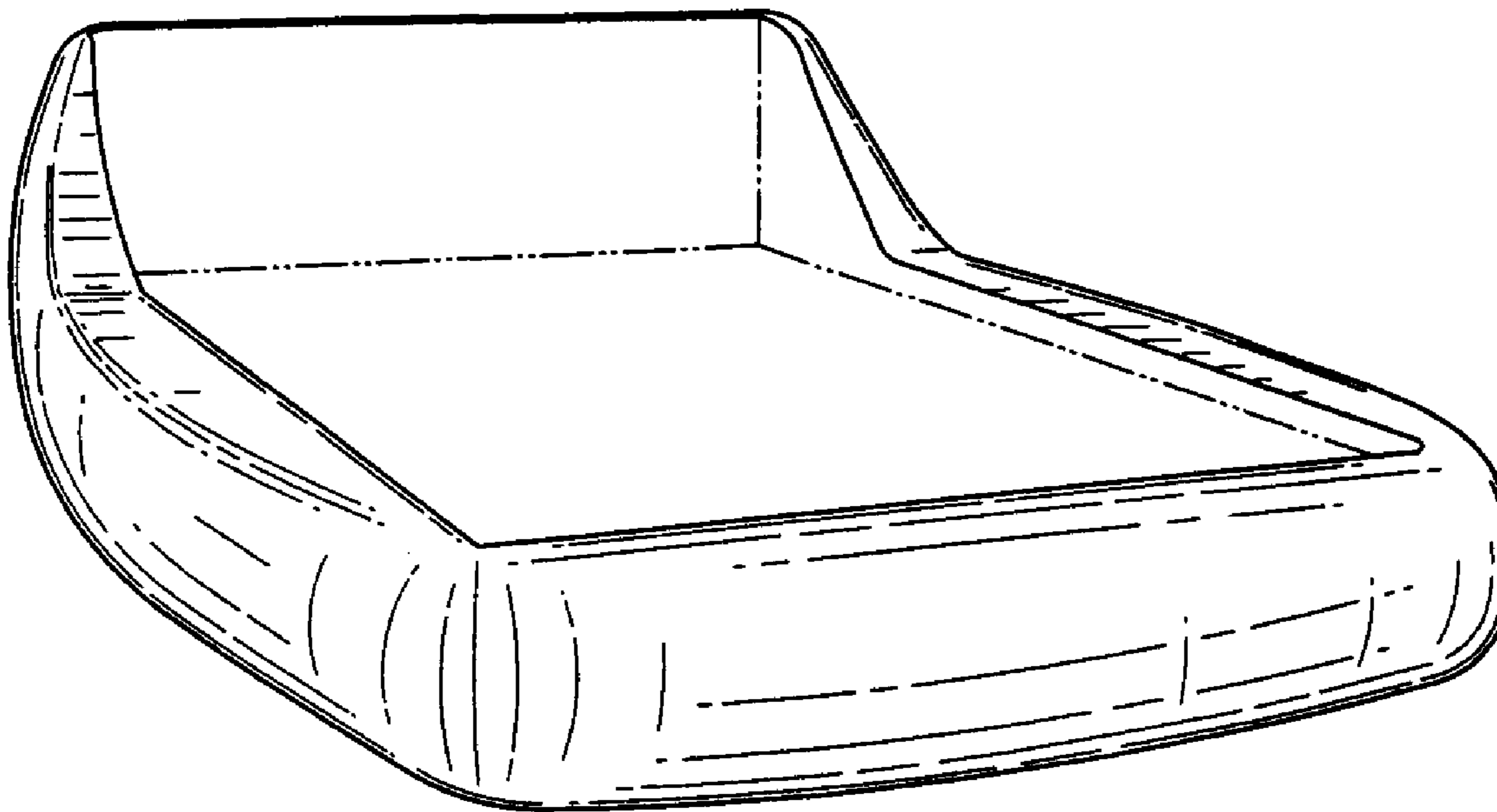


FIG. 1

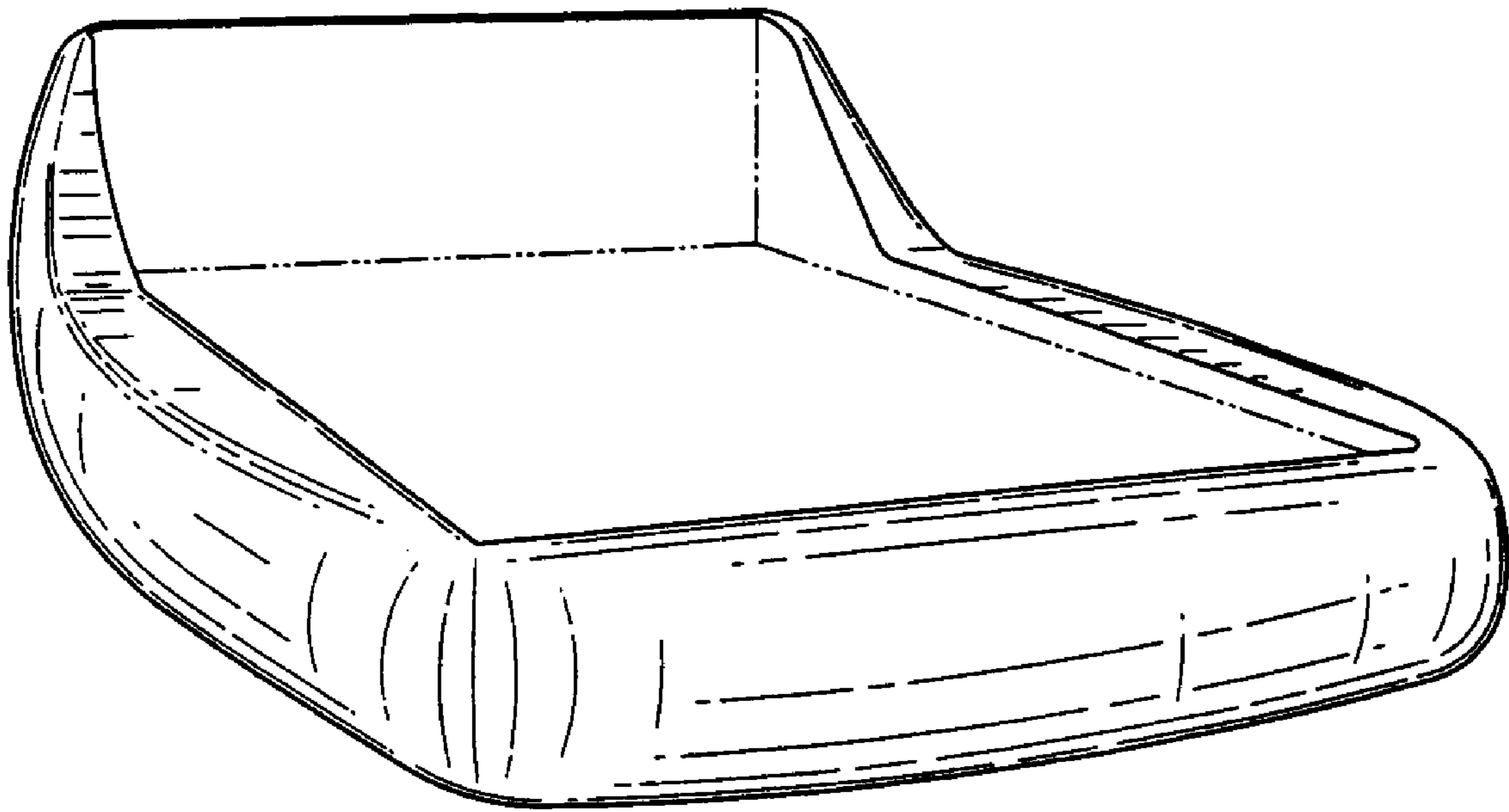


FIG. 2

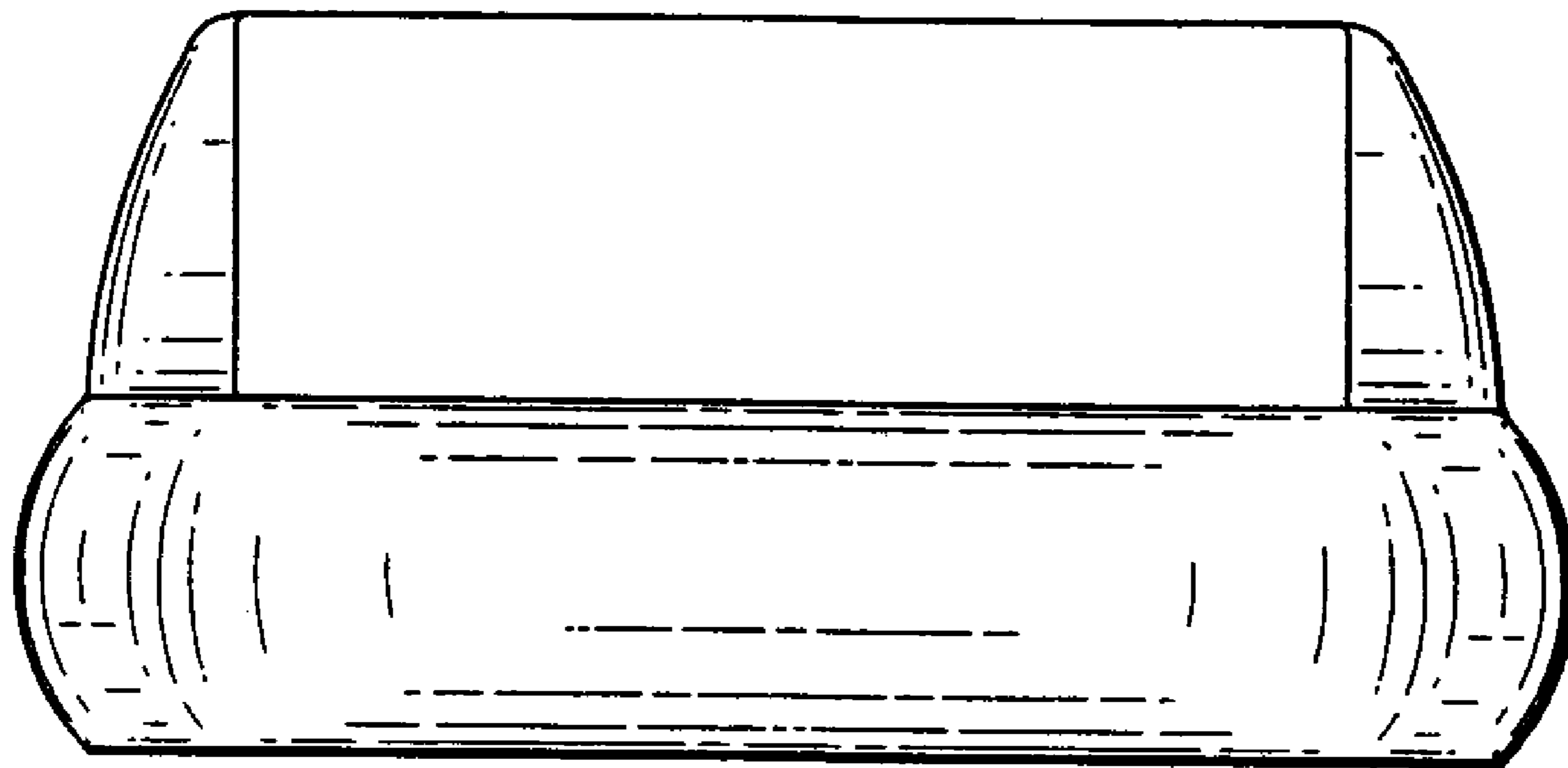


FIG. 3

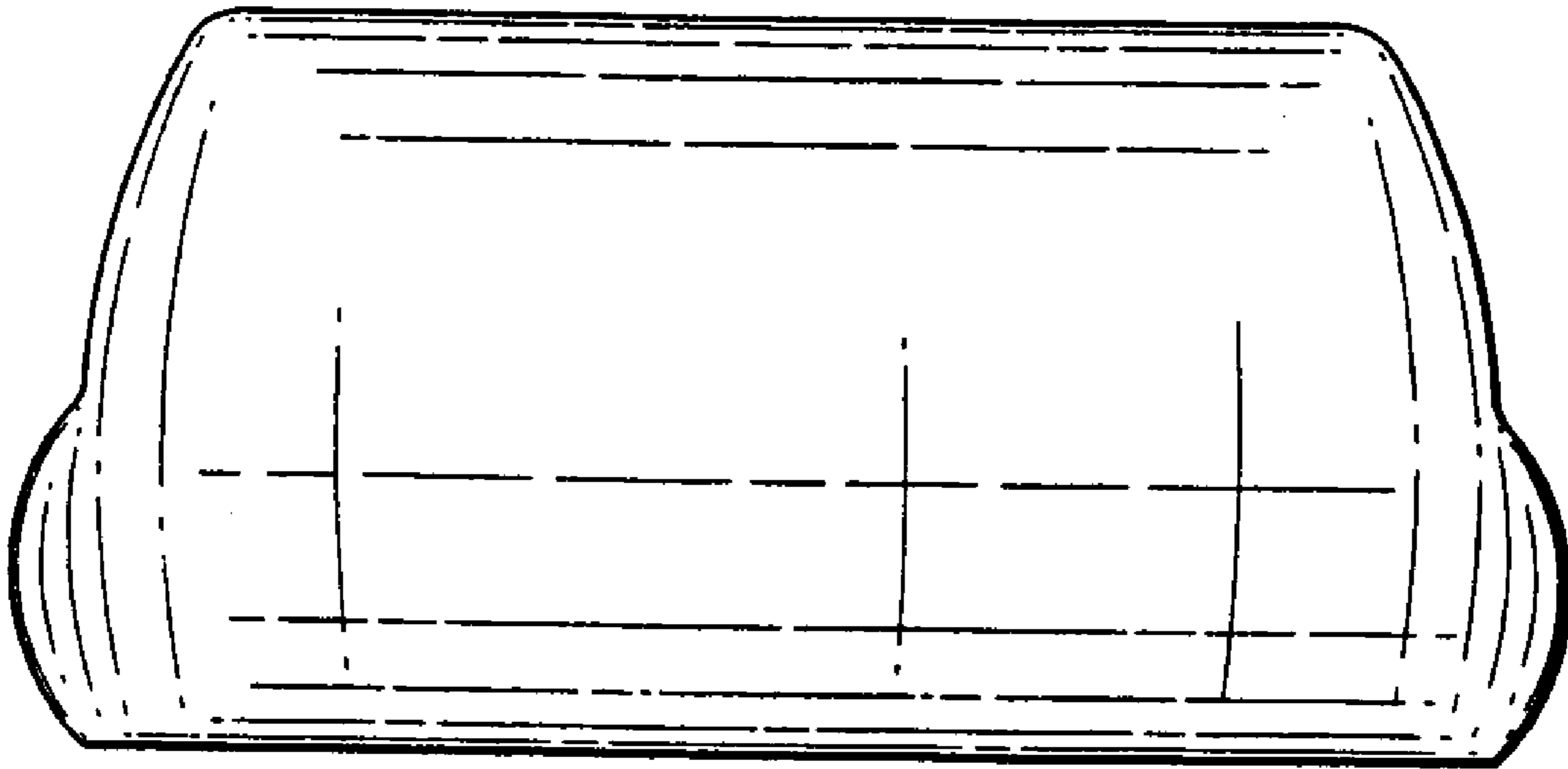


FIG. 4

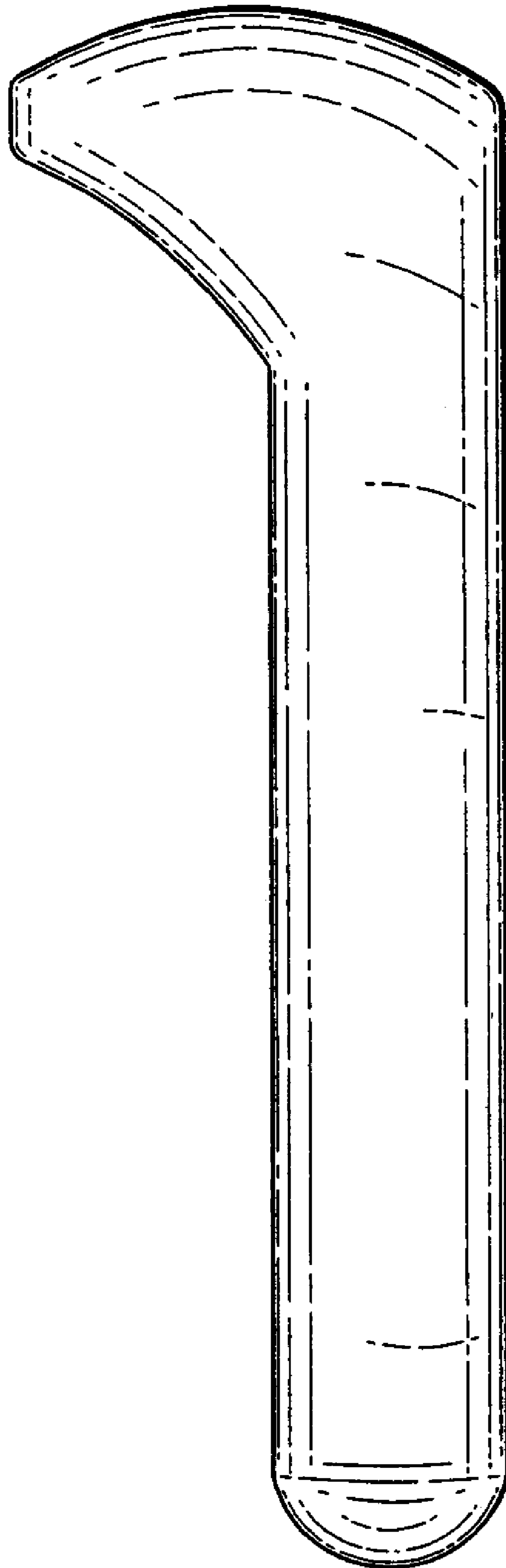


FIG. 5

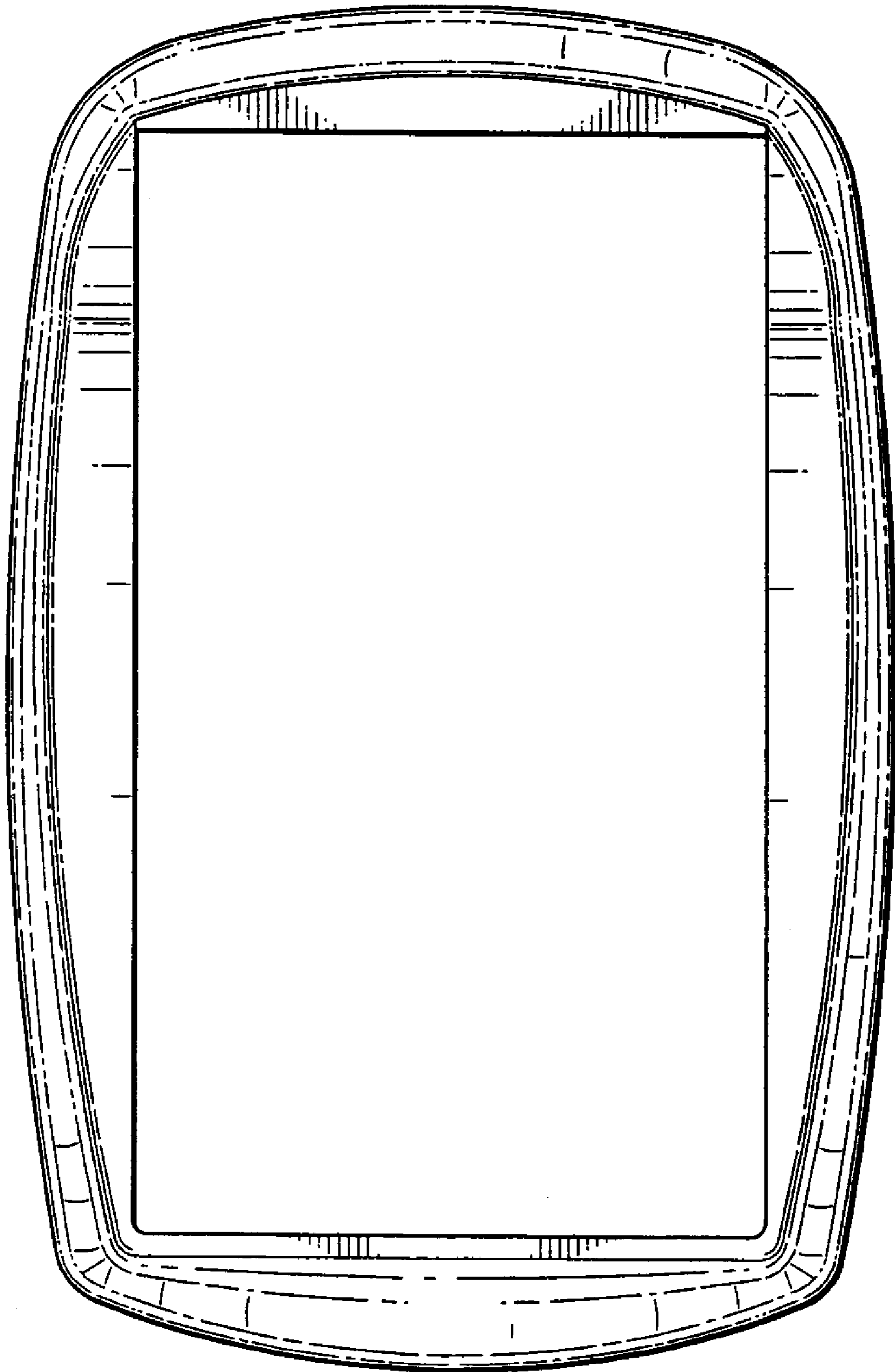


FIG. 6

