



US00D525802S

(12) **United States Design Patent**
Spear

(10) **Patent No.:** **US D525,802 S**

(45) **Date of Patent:** **** Aug. 1, 2006**

(54) **MODULAR LOUNGE**

(75) Inventor: **Alison Spear**, Miami, FL (US)

(73) Assignee: **Steelcase Development Corporation**,
Grand Rapids, MI (US)

(**) Term: **14 Years**

(21) Appl. No.: **29/206,337**

(22) Filed: **May 28, 2004**

(51) **LOC (8) Cl.** **06-01**

(52) **U.S. Cl.** **D6/381**

(58) **Field of Classification Search** D6/334-336,
D6/381, 364, 500-502, 371, 349, 352, 355;
297/232, 445.1, 446.1; 5/12.1

See application file for complete search history.

(56) **References Cited**

U.S. PATENT DOCUMENTS

2,164,715	A	*	7/1939	Krainbill	297/115
D184,081	S	*	12/1958	Belz	D6/336
D245,951	S	*	10/1977	Lande	D6/336
D261,954	S	*	11/1981	Aronowitz et al.	D6/364
D261,955	S	*	11/1981	Aronowitz et al.	D6/364
D327,174	S	*	6/1992	Hopfer	D6/334
5,893,182	A	*	4/1999	Sutherland et al.	5/13
D493,966	S	*	8/2004	Rach	D6/349

OTHER PUBLICATIONS

Chair Nos. 6692, 4560, 6860, and 4690 all of the Futurama Group, May 17, 1949, and No. 6560, Futurama Group, 4/45/1949, Selig of Leominster, Mass., 5 pgs.*

Chair Nos. 70, 50, 63, 51, 157, 54, 53, and 53 (Plastics), all of the Smart-ese Group, Selig of Leominster, Mass., May 17, 1949, 8 pgs.*

Chair No. 4692 Modique Armless, Selig of Leominster, Mass, May 17, 1949, 1 pg.*

* cited by examiner

Primary Examiner—Sandra S. Snapp

(74) *Attorney, Agent, or Firm*—Quarles & Brady LLP

(57) **CLAIM**

The ornamental design for a modular lounge, as shown and described.

DESCRIPTION

FIG. 1 is a front, right upper perspective view of a section of a modular lounge embodying my new design;

FIG. 2 is a front elevational view thereof;

FIG. 3 is a right side elevational view thereof, the left side elevational view being a mirror image thereof;

FIG. 4 is a top plan view thereof;

FIG. 5 is a rear elevational view thereof; and,

FIG. 6 is a bottom view thereof.

The broken line representations of seat tufting in FIGS. 1-2, and 4, are for the purpose of illustration only, and form no part of the claimed design.

The bottom of every section and embodiment forms no part of the claimed subject matter. In this regard, it is not visible in normal use.

1 Claim, 2 Drawing Sheets

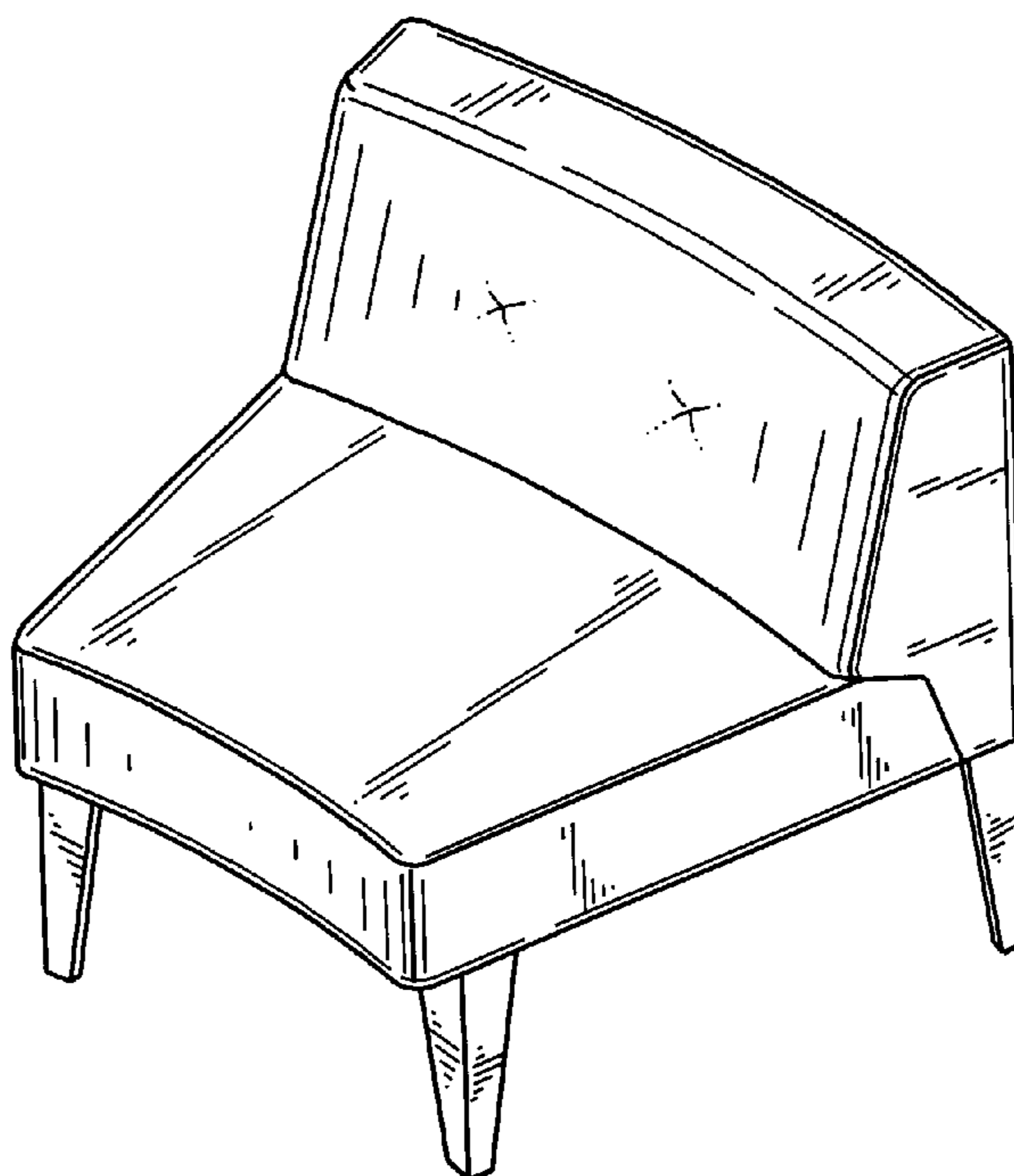


FIG. 1

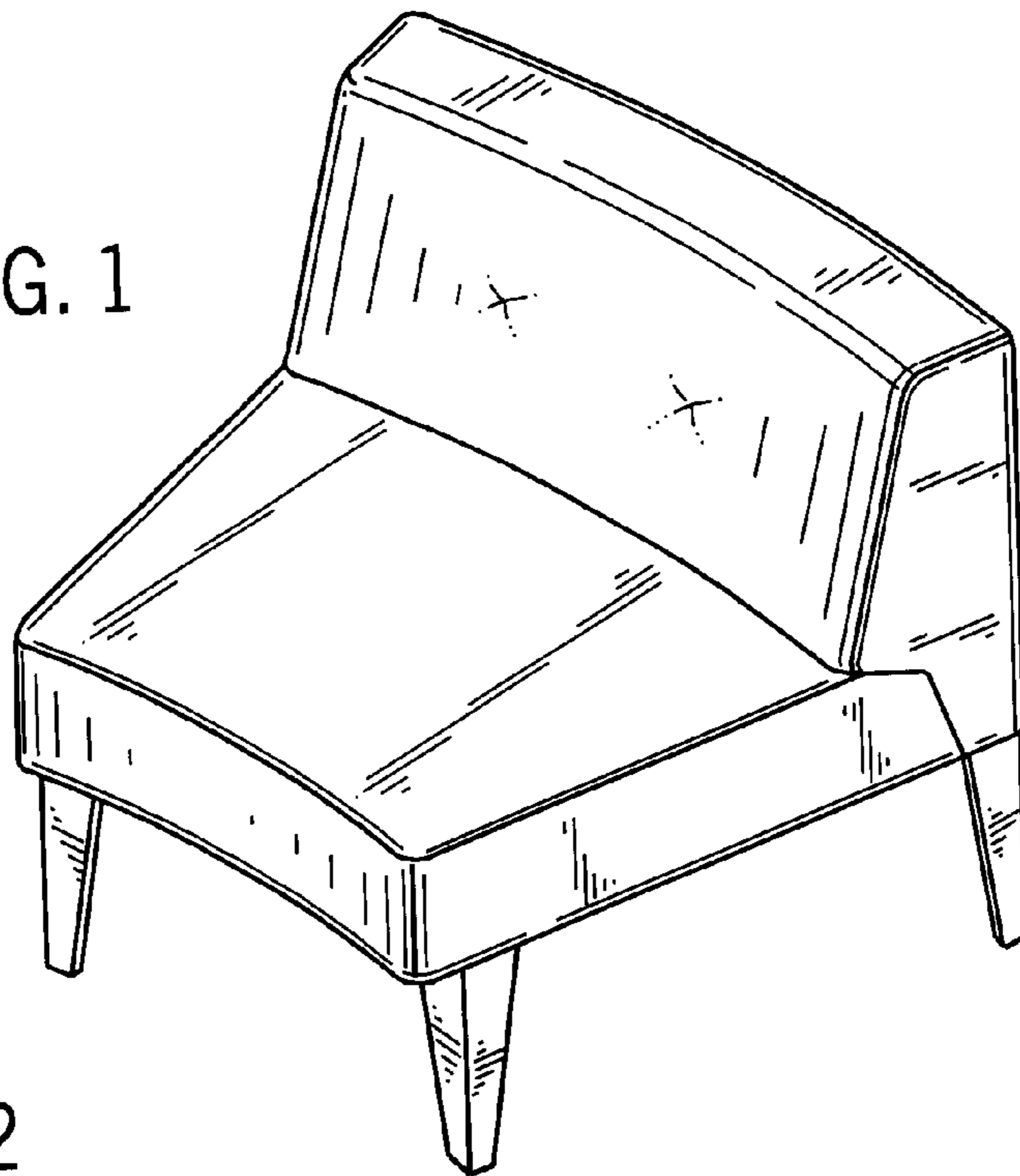


FIG. 2

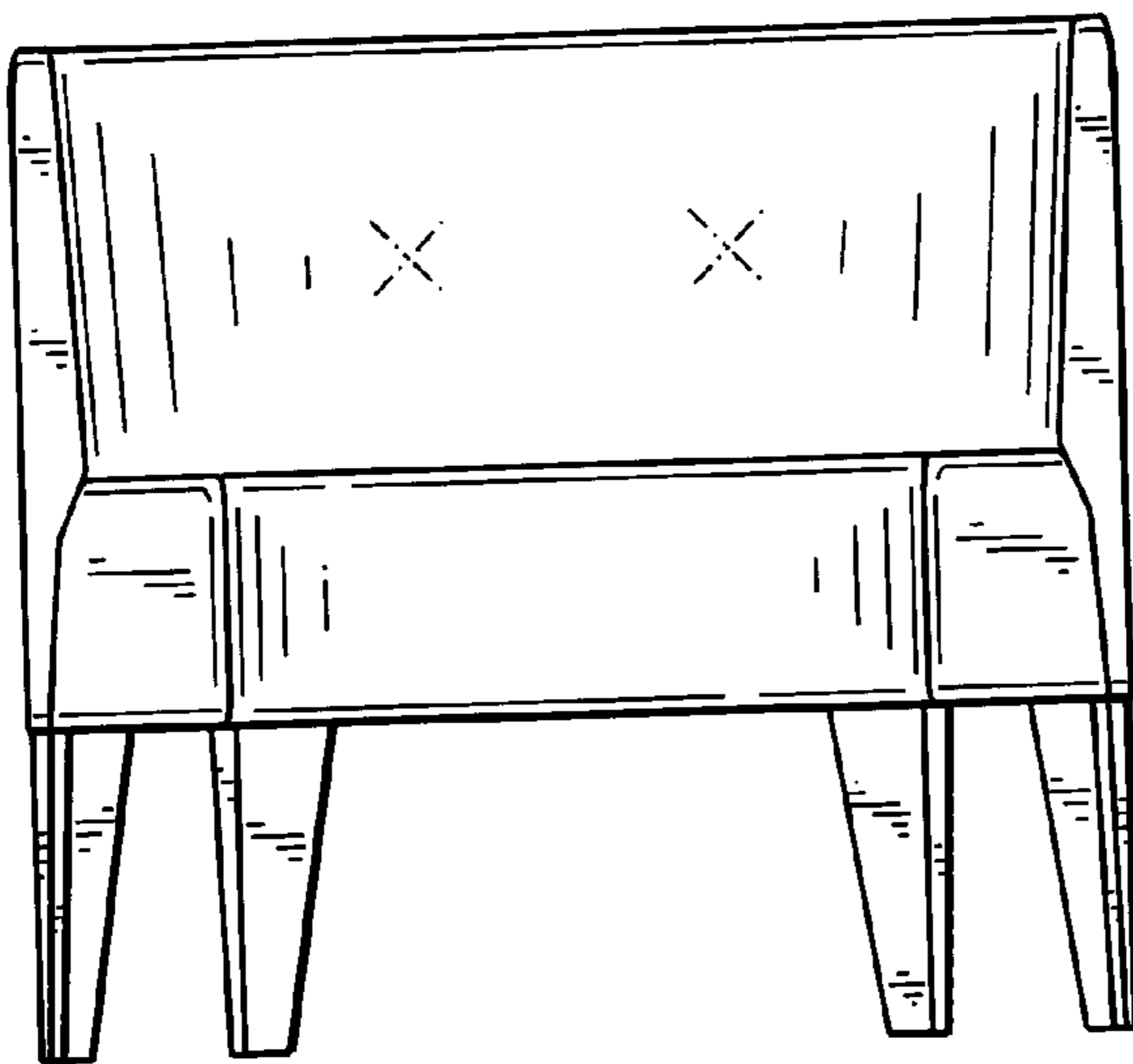
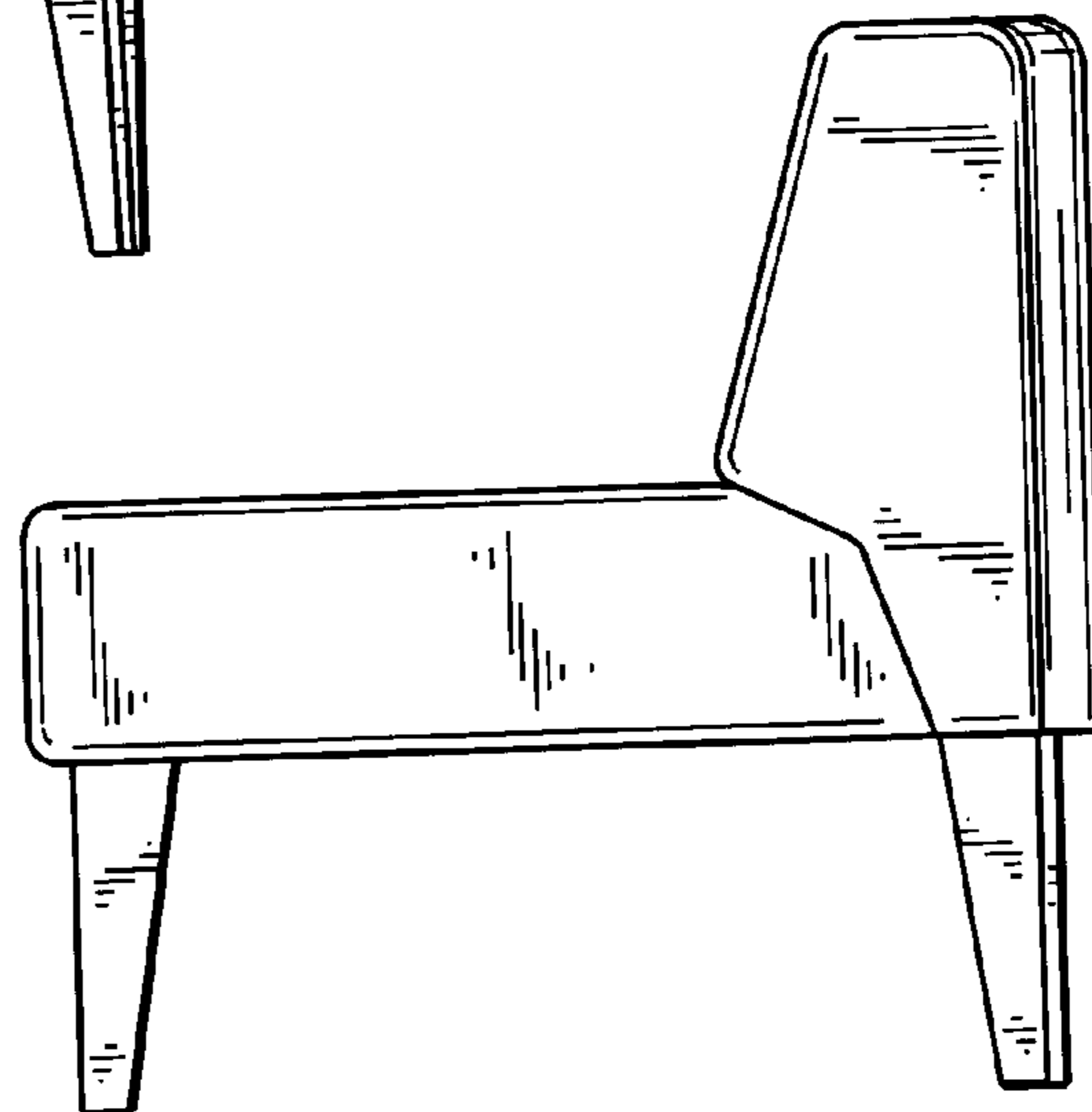


FIG. 3



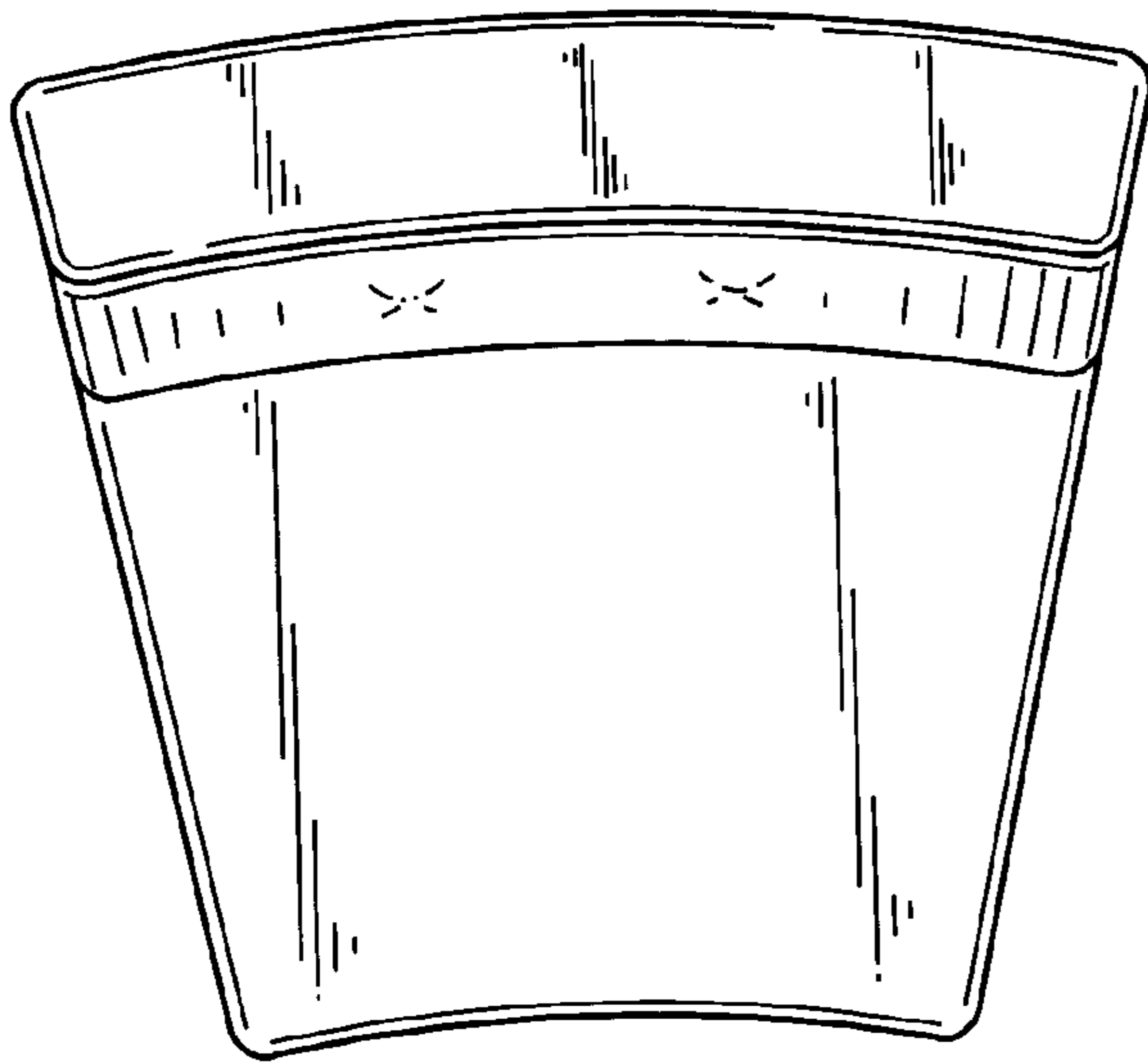


FIG. 4

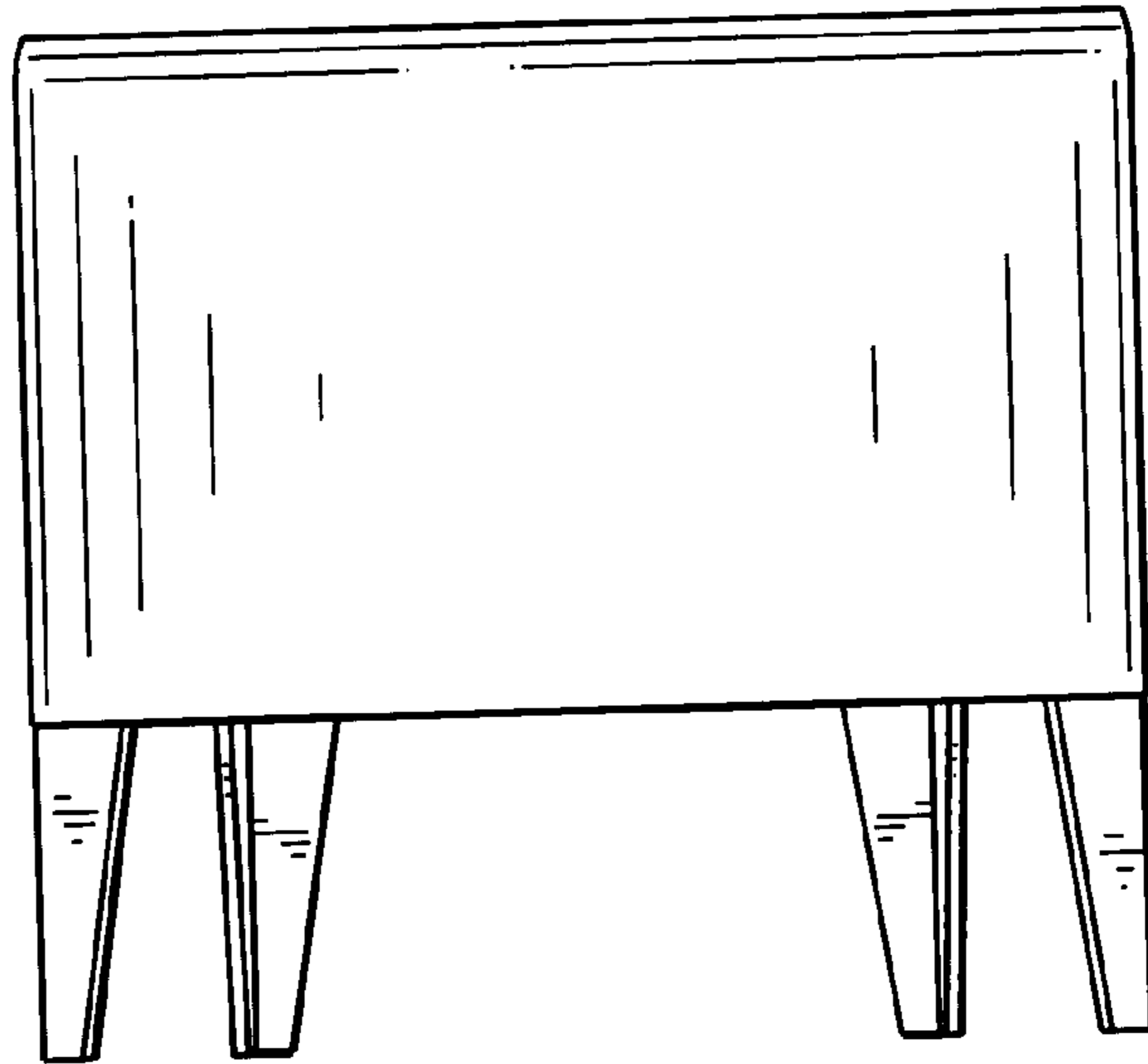


FIG. 5

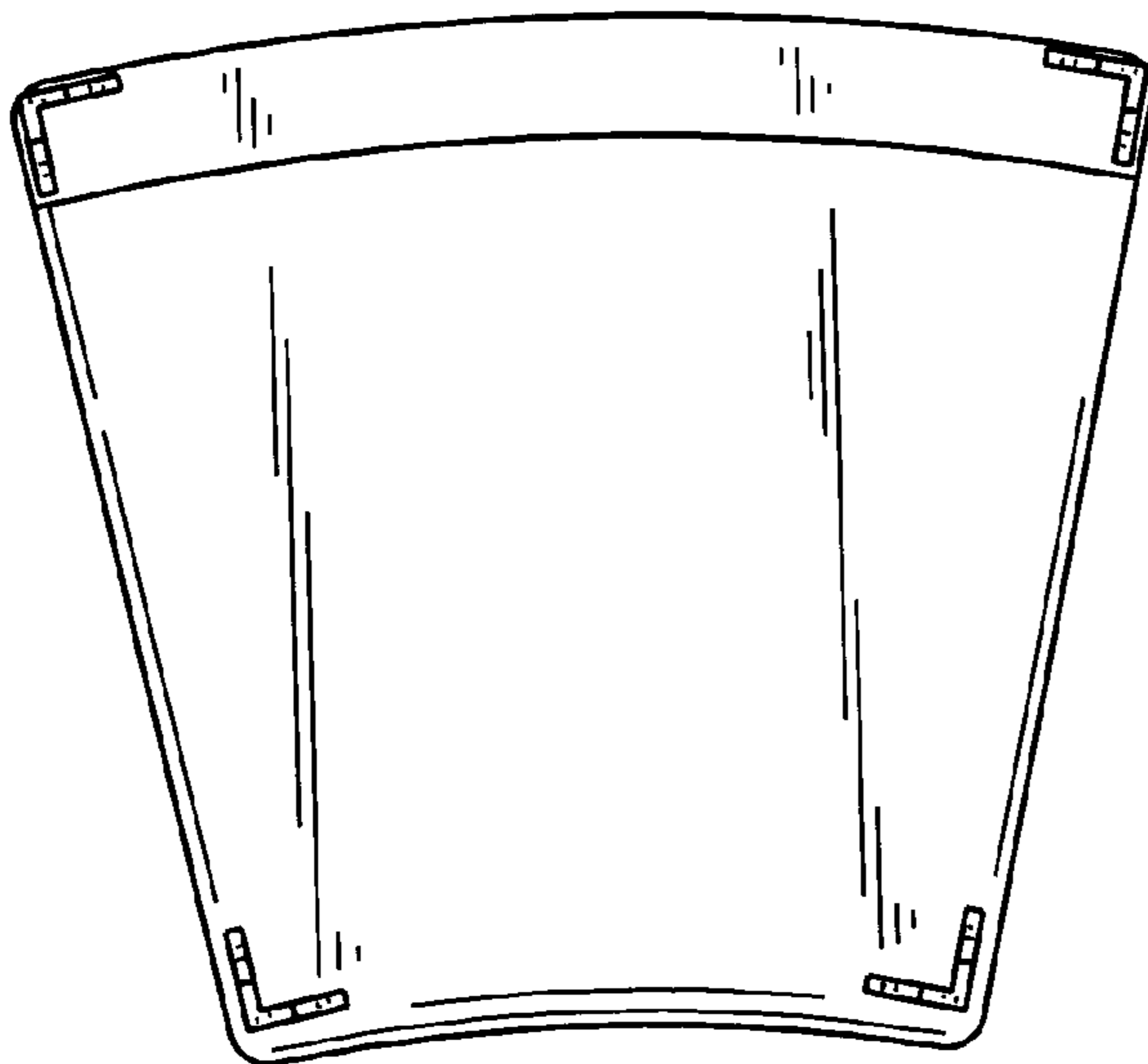


FIG. 6